



BRING YOUR MODELS TO LIFE!

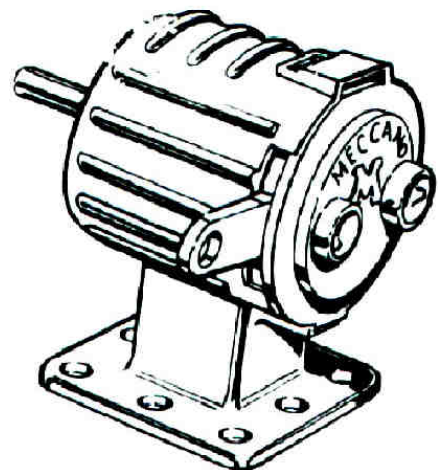
The Meccano system includes a power unit for practically every purpose.

There are clockwork and electric motors and a real steam engine! One electric motor even has a six-speed gear box.

For full details see your local Meccano dealer.

MECCANOTM

3-4-5V MOTOR ASSEMBLY INSTRUCTIONS



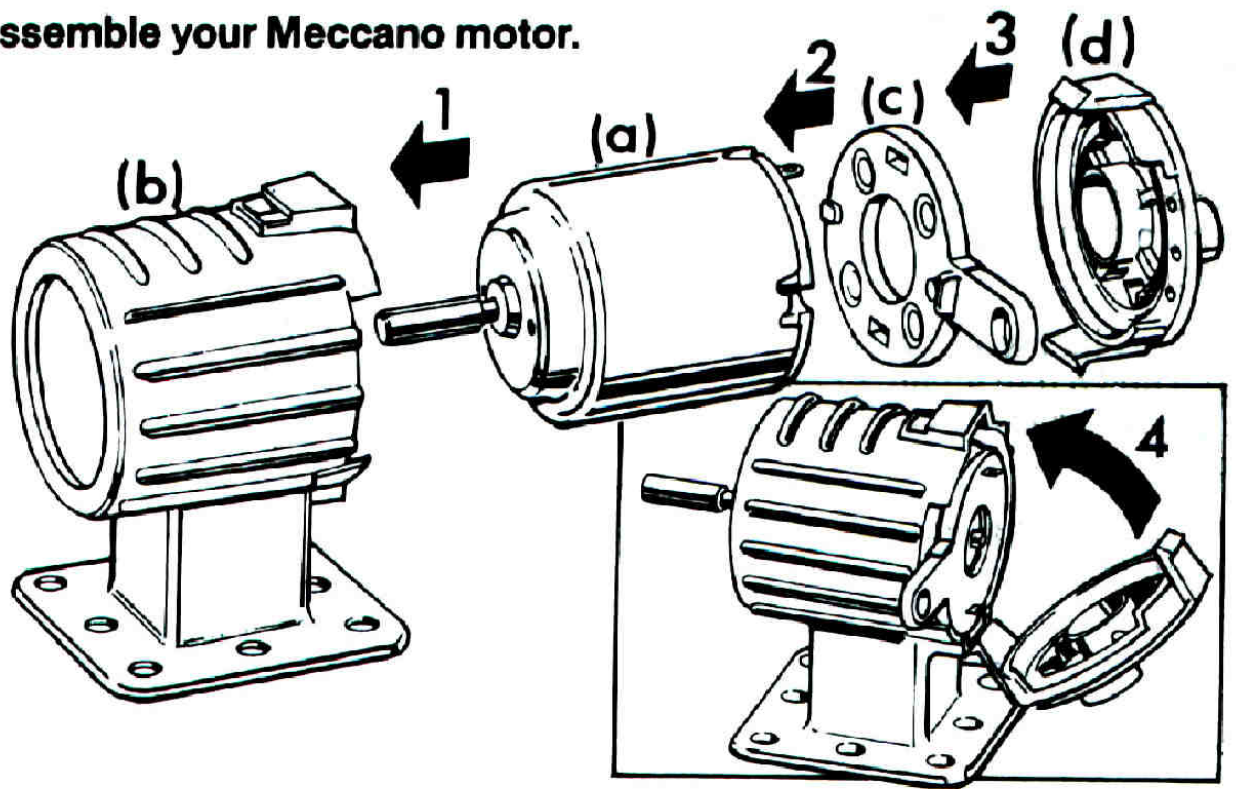
MECCANO



Meccano Ltd.,
Binns Road, Liverpool L13 1DA, England.
Tel: 051-228 2701

Printed in England © 1977 Meccano Ltd. 160056

To assemble your Meccano motor.



Position motor (a) in motor housing (b) with end contacts at top and bottom (see inset). Locate the switch lever (c) (smooth side outwards) over the motor end contacts.

Hold the motor end cap (d) with 'Meccano' upwards. Insert the lower locating lugs then position top locating lug and push until it 'clicks' home.

