

# MECCANO



SUPPLEMENTARY  
MANUAL OF INSTRUCTIONS

MANUAL D'INSTRUCTIONS  
SUPPLÉMENTAIRES

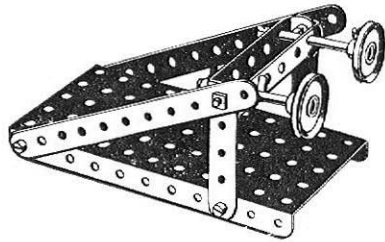
Price  
Prix

No. 14 S.  
PRINTED IN ENGLAND  
IMPRIMÉ EN ANGLETERRE

MECCANO LIMITED, LIVERPOOL, ENG.

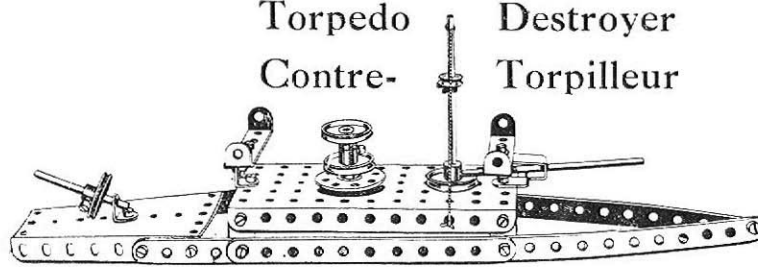
COPYRIGHT 1916  
MECCANO LTD.  
DEPOSÉ 1916

### Buffers—Tampons



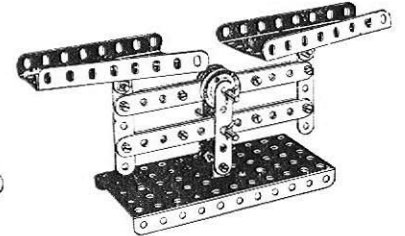
2 No. 2	4 No. 35
2 " 5	6 " 37
2 " 17	1 " 52
2 " 22	2 " 60

### Torpedo Destroyer Contre-Torpilleur



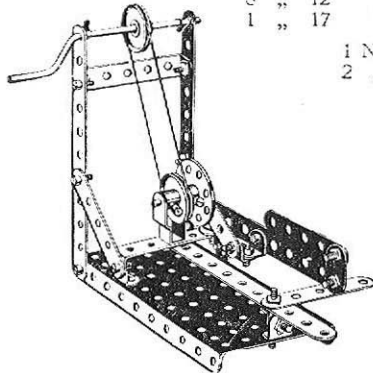
4 No. 2	1 No. 17	19 No. 37
2 " 5	4 " 22	1 " 44
4 " 10	1 " 23	1 " 52
1 " 11	1 " 24	1 " 54
1 " 12	3 " 35	2 " 60
2 " 15A		

### Scales—Balance

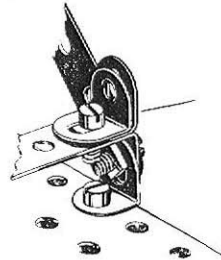


4 No. 2	2 No. 22A
8 " 5	4 " 35
1 " 11	19 " 37
2 " 12	1 " 52
2 " 17	2 " 54

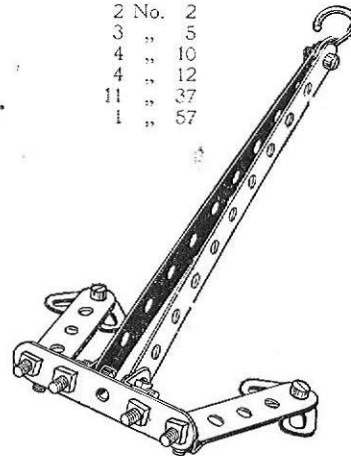
### Metal Saw Scie à Métaux



4 No. 2	1 No. 19
5 " 5	2 " 22
1 " 10	1 " 24
8 " 12	2 " 35
1 " 17	23 " 37
	1 No. 52
	2 " 60

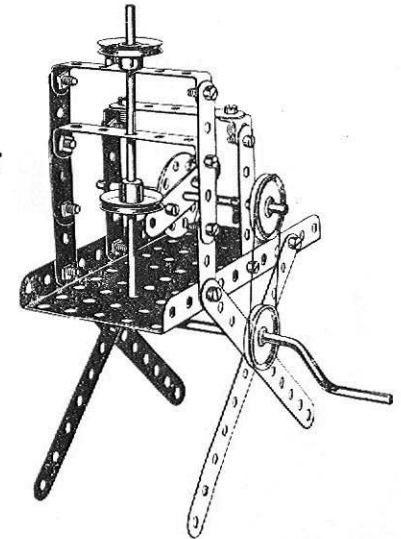


### Anchor Ancre



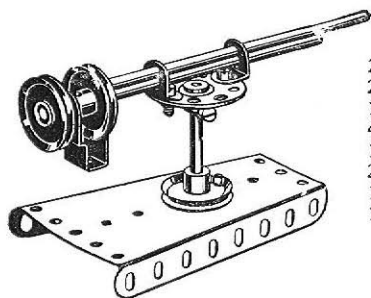
2 No. 2
3 " 5
4 " 10
4 " 12
11 " 37
1 " 57

### Stamping Machine Machine à Estamper



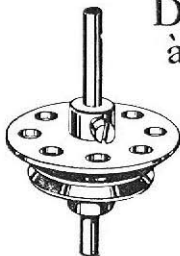
4 No. 2
8 " 5
2 " 12
2 " 15A
1 " 19
4 " 22
1 " 24
3 " 35
20 " 37
1 " 52
2 " 60

## Sharpshooter Gun Canon de Précision



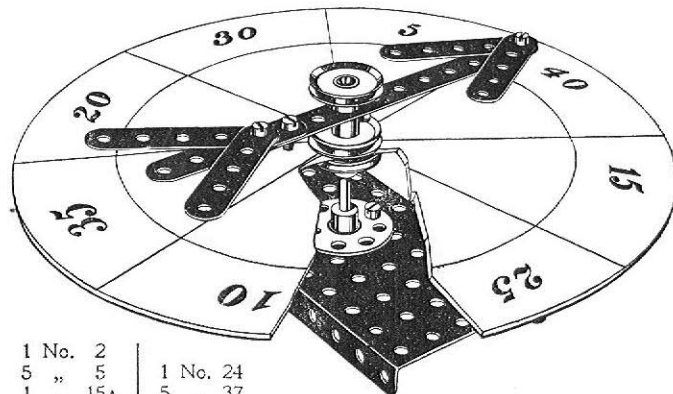
2	No.	12
2	"	15A
1	"	17
4	"	22
1	"	24
2	"	37
1	"	44
1	"	54

## Spinning Top Devidoir à Fil



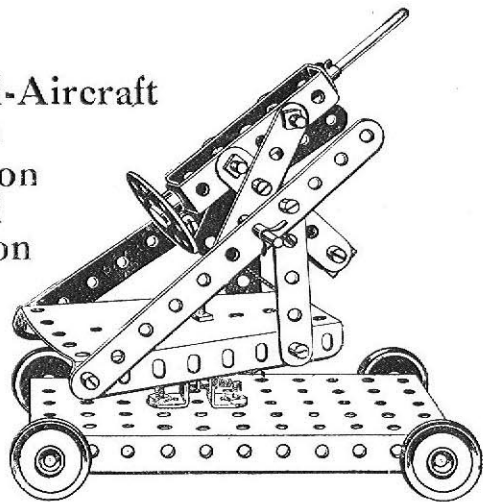
1	No.	17
1	"	22
1	"	24

## Roulette Wheel Roulette



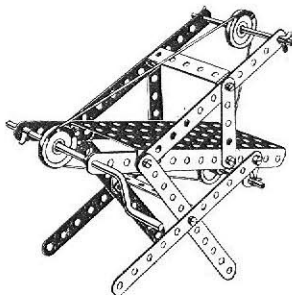
1	No.	2	1	No.	24
5	"	5	5	"	37
1	"	15A	1	"	52
3	"	22			

## Anti-Aircraft Gun Canon Anti Avion



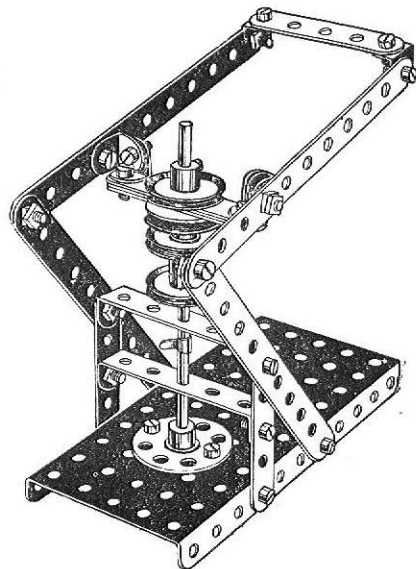
2	No.	2	4	No.	22	1	No.	44
6	"	5	1	"	24	1	"	52
4	"	12	5	"	35	1	"	54
2	"	15A	23	"	37	2	"	60

## Band Saw Scie à Ruban



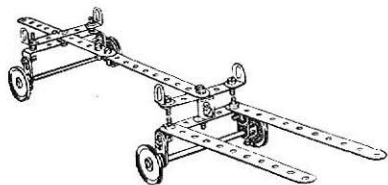
6	No.	2	3	No.	22
4	"	5	6	"	35
2	"	10	10	"	37
2	"	15A	1	"	52
1	"	19	2	"	60

## Punching Machine Emporte Pièce



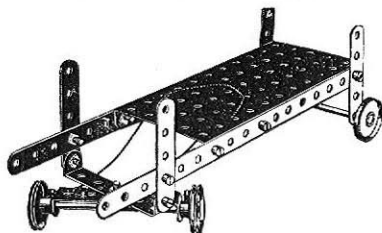
4	No.	2
7	"	5
6	"	12
1	"	15A
4	"	22
1	"	24
1	"	35
22	"	37
1	"	52
2	"	60

## Timber Drag Triqueballe



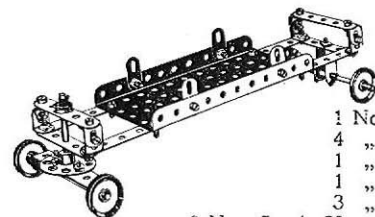
4 No. 2	4 No. 22
4 " 10	18 " 37
6 " 12	3 " 60
2 " 15A	

## Steering Truck Truck sur Essieux Mobiles



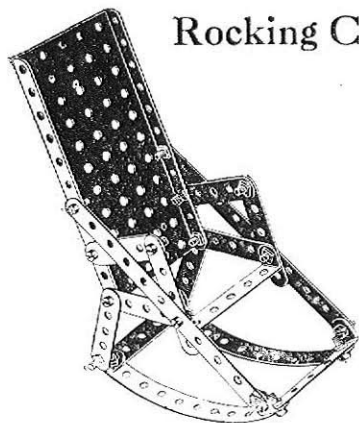
2 No. 2	11 No. 37
4 " 5	1 " 52
2 " 15A	2 " 60
4 No. 22	

## Boiler Truck Truck pour Chaudières



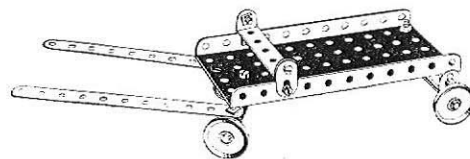
	1 No. 17
	4 " 22
	1 " 23
	1 " 24
	3 " 35
8 No. 5	23 " 37
4 " 10	1 " 44
8 " 12	1 " 52
2 " 15A	1 " 60

## Rocking Chair



4 No. 2	18 No. 37
9 " 5	1 " 52
2 " 12	1 " 60

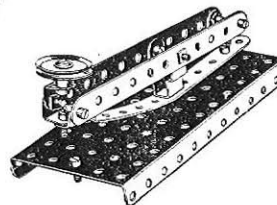
## Lurry—Wagonnette



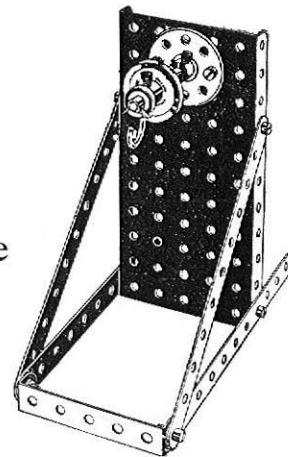
2 No. 2	13 No. 37
4 " 10	1 " 24
2 " 12	1 " 52
2 " 15A	2 " 60
4 No. 22	

## Telegraph Code Key Clavier de Code Télégraphique

3 No. 2	1 No. 22
1 " 10	12 " 37
5 " 12	1 " 52



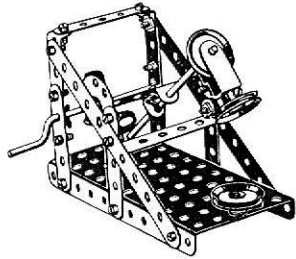
## Watch Stand Porte-Montre



4 No. 2	1 No. 35
1 " 17	8 " 37
1 " 22	1 " 52
1 " 23	1 " 57
1 " 24	1 " 60

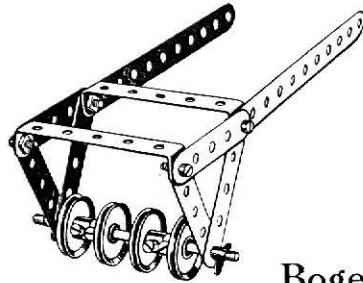


Drop Hammer  
Marteau à Déclic

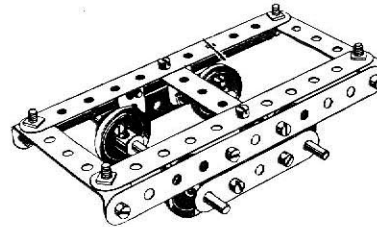


2 No. 2	3 No. 22
7 " 5	1 " 24
6 " 12	23 " 37
1 " 15A	1 " 44
1 " 19	1 " 52
2 No. 60	

Furrowing Roller  
Sillonneuse

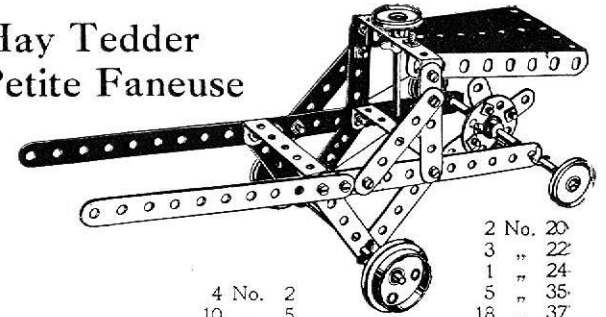


Bogey Truck  
Truck à Bogie



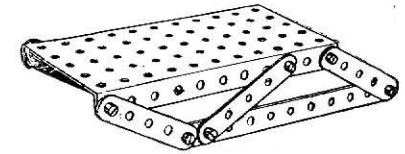
4 No. 2	4 No. 22
3 " 5	18 " 37
4 " 10	2 " 60
2 " 15A	

Hay Tedder  
Petite Faneuse



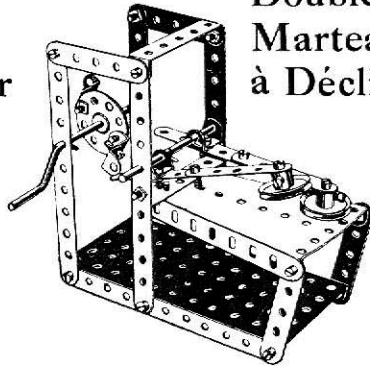
4 No. 2	2 No. 20
10 " 5	3 " 22
2 " 15A	1 " 24
1 " 17	5 " 35
	18 " 37
	1 " 54
	3 " 60

Sleigh—Traineau



2 No. 2
6 " 5
12 " 37
1 " 52

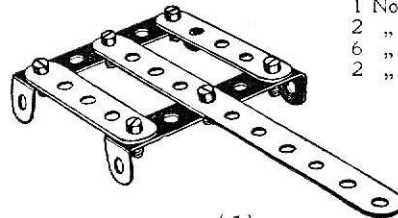
Double-Drop Hammer



Double-Marteau à Déclic

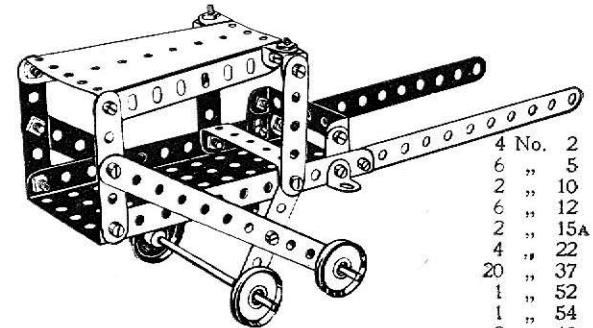
4 No. 2	1 No. 19	22 No. 37
8 " 5	2 " 22	1 " 52
8 " 12	1 " 24	1 " 54
1 " 15A	4 " 35	2 " 60

Grill—Gril



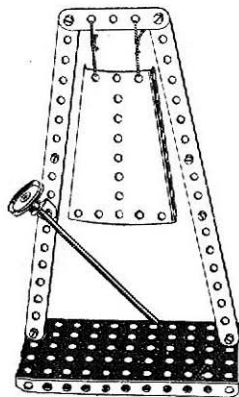
1 No. 2
2 " 5
6 " 37
2 " 60

Ticca Gharry  
Pousse-Pousse Indien



4 No. 2
6 " 5
2 " 10
6 " 12
2 " 15A
4 " 22
20 " 37
1 " 52
1 " 54
2 " 60

# Gong



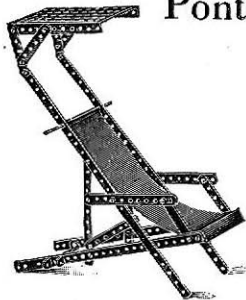
2	No.	2
1	"	5
3	"	12
1	"	15A
1	"	22
10	"	37
1	"	52
1	"	54

# Invalid Chair Chaise de Malade



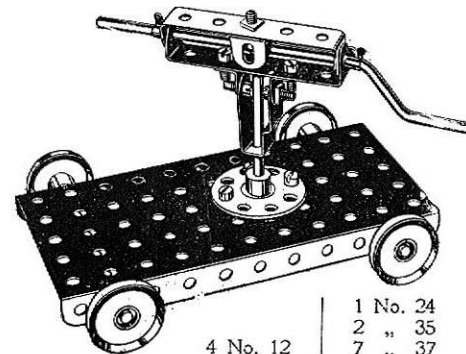
4	No.	2	22	No.	37
8	"	5	1	"	52
2	"	10	1	"	54
2	"	15A	2	"	60
4	"	22			

# Deck Chair Chaise de Pont



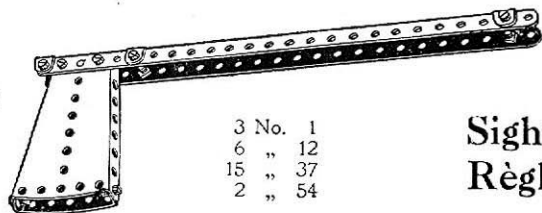
4	No.	1	1	No.	15A
4	"	2	30	"	37
1	"	3	1	"	52
6	"	5	2	"	60
6	"	12			

# Rock Drill Foret à Roc



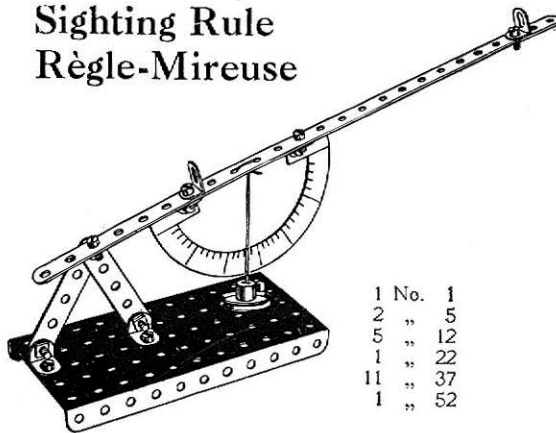
4	No.	12	1	No.	24
1	"	15A	2	"	35
1	"	19	7	"	37
4	"	22	1	"	44
			1	"	52
			2	"	60

# Hatchet Hachette



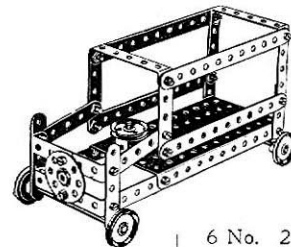
3	No.	1
6	"	12
15	"	37
2	"	54

# Sighting Rule Règle-Mireuse



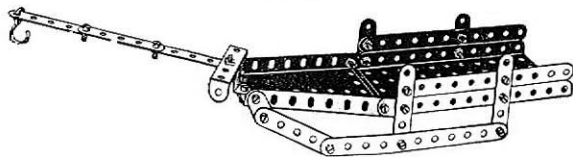
1	No.	1
2	"	5
5	"	12
1	"	22
11	"	37
1	"	52

# Motor Van Tapissière Automobile



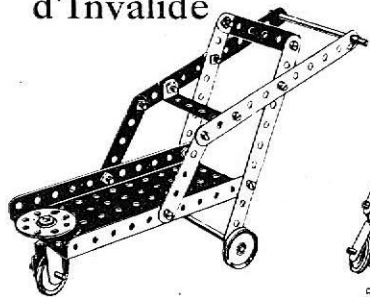
6	No.	2
1	"	3
9	"	5
1	"	11
22	"	37
1	"	52
4	"	60
2	No.	15A
4	"	22
1	"	22A
1	"	24

# Horse Sleigh Traineau Hippomobile



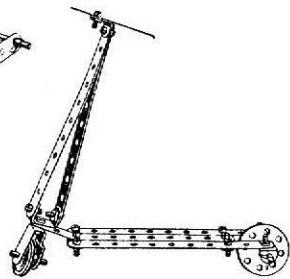
4	No.	2	25	No.	37
9	"	5	1	"	52
4	"	10	1	"	54
2	"	12	1	"	57

Invalid Chair  
Chaise  
d'Invalide



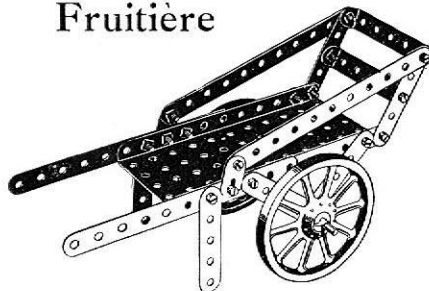
4 No. 2	1 No. 24
2 " 5	2 " 35
2 " 15A	13 " 37
1 " 18	1 " 44
3 " 22	2 " 60

Foot Cycle  
Patinette



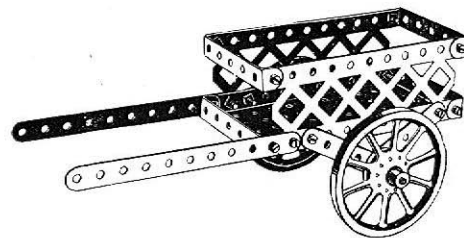
5 No. 2	1 No. 22
1 " 5	1 " 24
4 " 10	4 " 35
1 " 11	15 " 37
3 " 12	1 " 44
2 " 17	

Coster's Barrow  
Voiture-  
Fruitière



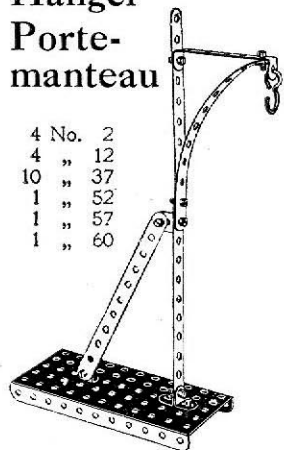
4 No. 2	4 No. 35
8 " 5	16 " 37
2 " 10	1 " 52
1 " 15A	2 " 60
2 " 19A	

Cart  
Charrette



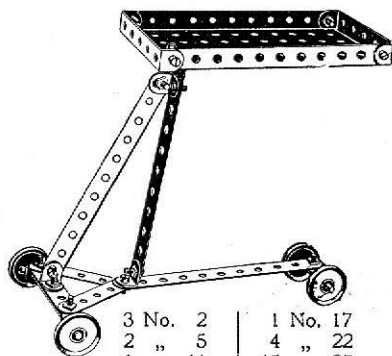
4 No. 2	2 No. 22	2 No. 59
4 " 5	15 " 37	4 " 60
1 " 15	1 " 44	2 " 100
2 " 19A	1 " 52	

Mail Bag  
Hanger  
Porte-  
manteau



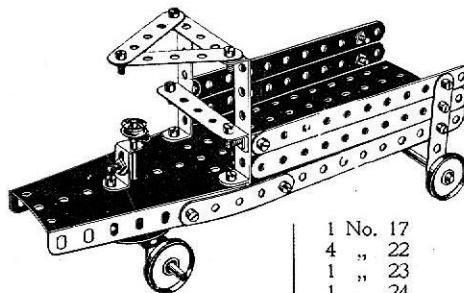
4 No. 2
4 " 12
10 " 37
1 " 52
1 " 57
1 " 60

Bed Table  
Somno



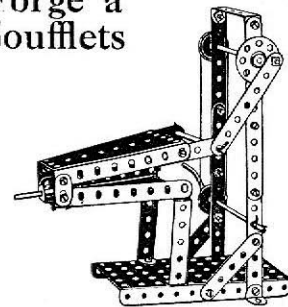
3 No. 2	1 No. 17
2 " 5	4 " 22
1 " 11	15 " 37
4 " 12	1 " 52
1 " 15A	3 " 60

Motor Lurry  
Wagonnette  
Automobile



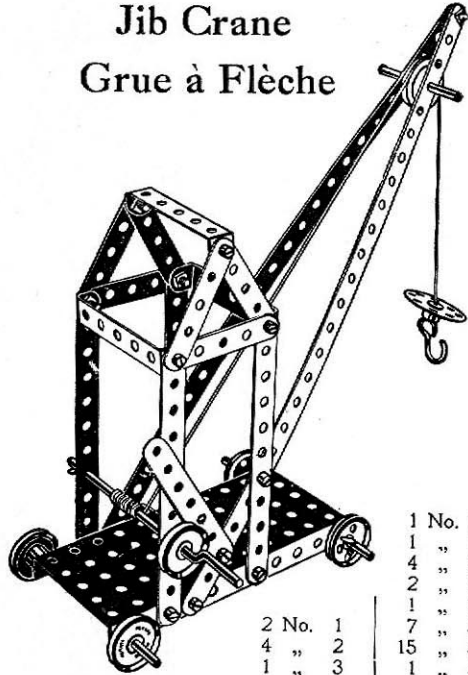
4 No. 2	1 No. 17
8 " 5	4 " 22
8 " 12	1 " 23
2 " 15A	1 " 24
	2 " 35
	25 " 37
	1 " 52
	1 " 54
	2 " 60

Forge Bellows  
Forge à  
Soufflets



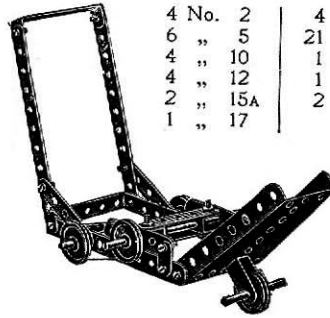
4 No. 2	1 No. 19
1 " 3	2 " 22
2 " 5	1 " 24
2 " 10	5 " 35
1 " 11	25 " 37
2 " 12	1 " 52
2 " 15A	2 " 54
1 " 17	3 " 60

**Jib Crane**  
Grue à Flèche



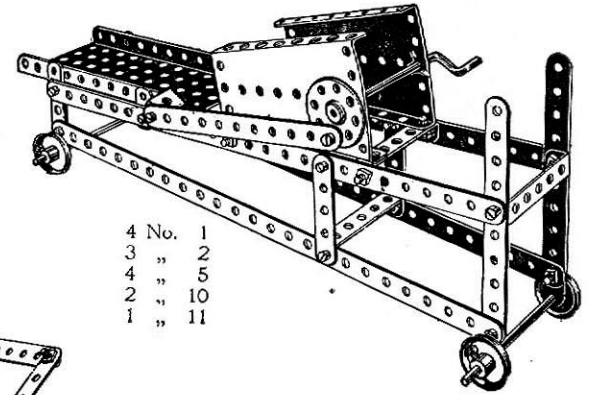
1 No.	17
1 "	19
4 "	22
2 "	22A
1 "	24
7 "	35
15 "	37
1 "	52
6 "	57
2 "	15A
3 "	60

**Lawn Mower**  
Tondeuse à Gazon



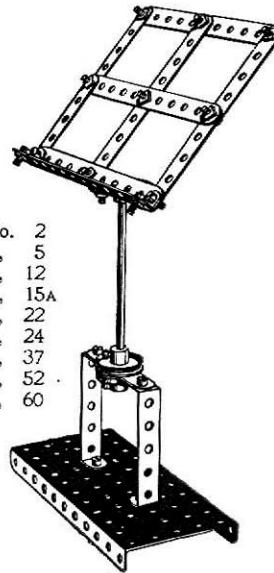
4 No.	2	4 No.	22
6 "	5	21 "	37
4 "	10	1 "	44
4 "	12	1 "	54
2 "	15A	2 "	60
1 "	17		

**Maize Sheller**  
Décortiqueuse



4 No.	1
3 "	2
4 "	5
2 "	10
1 "	11

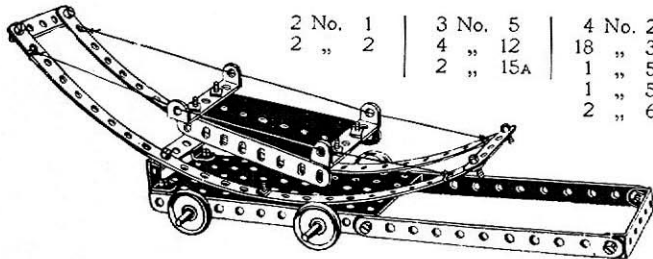
**Music Stand**  
Pupitre à Musique



4 No.	2
7 "	5
3 "	12
1 "	15A
2 "	22
1 "	24
16 "	37
1 "	52
2 "	60

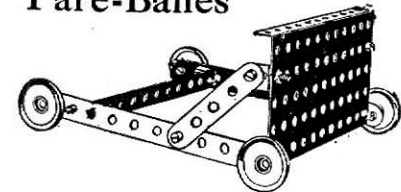
2 No.	15	26 No.	37
1 "	19	1 "	52
4 "	22	2 "	54
1 "	24	4 "	60
2 "	35		

**Mountain Transport**  
Transport de Montagne



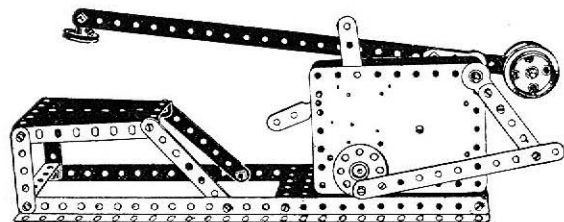
2 No.	1	3 No.	5	4 No.	22
2 "	2	4 "	12	18 "	37
		2 "	15A	1 "	52
				1 "	54
				2 "	60

**Devil Wall**  
Pare-Balles

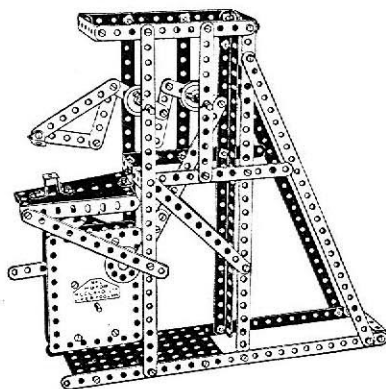


3 No.	2	4 No.	22
2 "	5	18 "	37
6 "	12	1 "	52

## Mechanical Hammers Marteaux Mécaniques



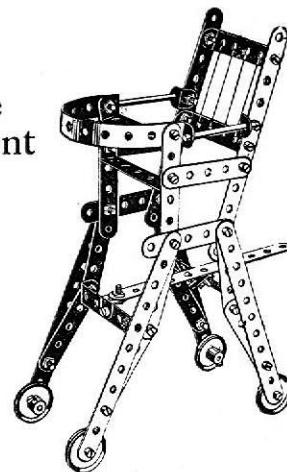
1 No. 1	4 No. 12	26 No. 37
1 " 2	1 " 17	1 " 52
2 " 3	2 " 20	1 " 54
2 " 5	1 " 22	1 " 60
2 " 8	1 " 24	2 " 62



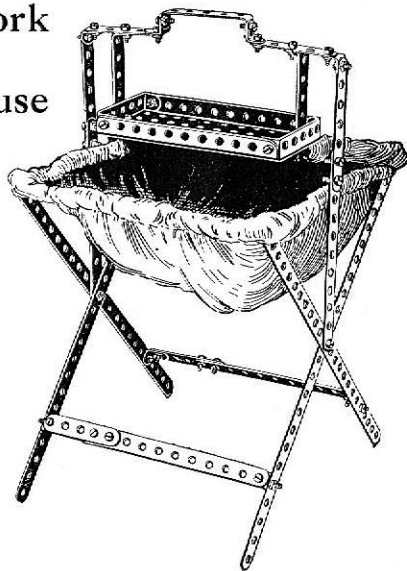
6 No. 1
11 " 2
1 " 3
7 " 5
2 " 8
3 " 12
2 " 15A
4 " 22
1 " 24
4 " 35
48 " 37
1 " 45
1 " 52
1 " 54
2 " 60

## Baby Chair Chaise d'Enfant

8 No. 2
2 " 3
10 " 5
6 " 12
2 " 17
4 " 22
32 " 37
6 " 60

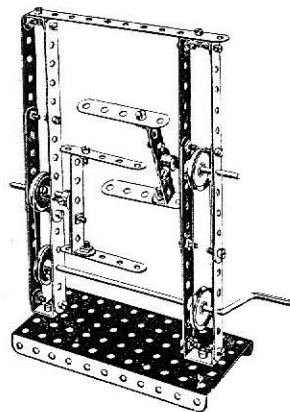


## Needlework Basket Travailleuse



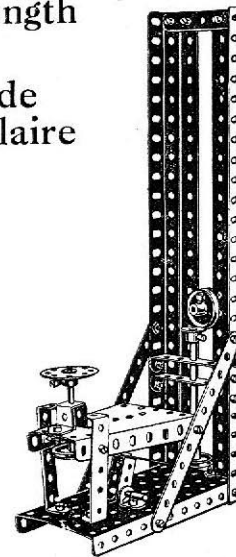
4 No. 1
6 " 2
2 " 3
6 " 5
12 " 12
46 " 37
1 " 52
3 " 60

## Candy Puller Etireuse de Pâte de Guimauve



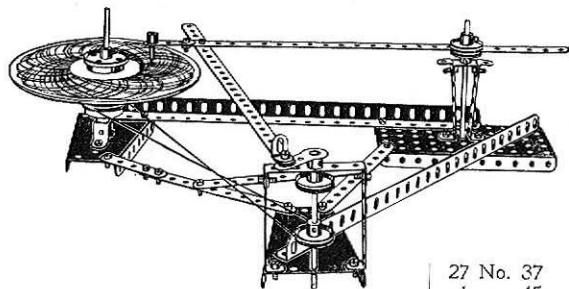
9 No. 2
4 " 5
4 " 11
2 " 17
1 " 19
4 " 22
2 " 35
26 " 37
1 " 52
2 " 60
2 " 62

## Try-your-Strength Machine Enregistreur de Force Musculaire



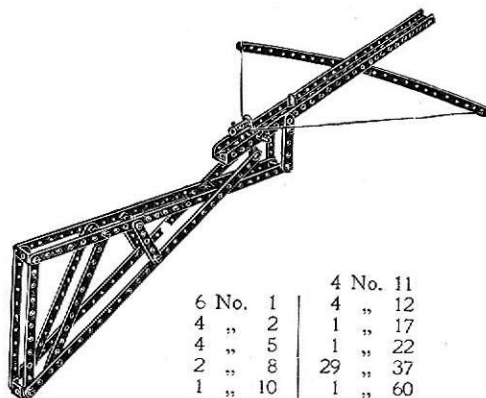
2 No. 1
3 " 2
2 " 5
4 " 8
4 " 12
1 " 16
2 " 17
1 " 18
4 " 22
1 " 24
29 " 37
1 " 44
1 " 45
1 " 52
1 " 54
4 " 60
1 " 62

## Designing Machine Machine à Dessiner



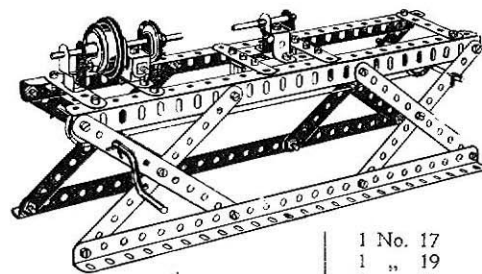
2 No. 1	1 No. 12		27 No. 37
3 " 2	2 " 15A		1 " 45
2 " 8	1 " 16	4 No. 22	1 " 52
1 " 11	1 " 20	1 " 24	2 " 54
		1 " 28	5 " 60
		1 " 35	2 " 62

## Crossbow—Arbalète



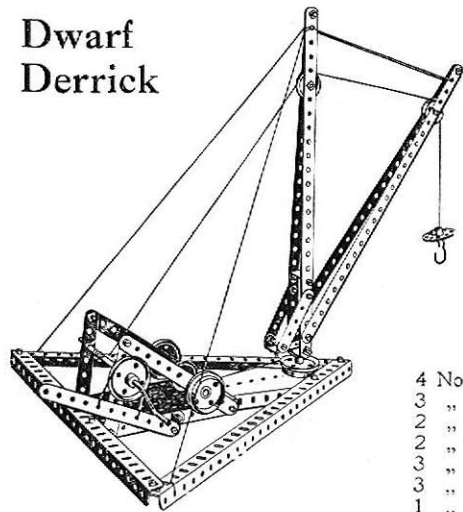
6 No. 1	4 No. 11
4 " 2	4 " 12
4 " 5	1 " 17
2 " 8	1 " 22
1 " 10	29 " 37
	1 " 60

## Lathe—Tour



		1 No. 17
		1 " 19
		1 " 20
		4 " 22
		6 " 35
		41 " 37
8 No. 2	4 No. 8	1 " 44
7 " 5	3 " 11	1 " 45
	4 " 12	
	1 " 15A	
	1 " 16	

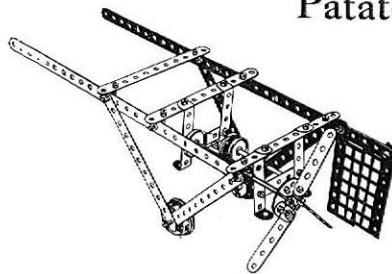
## Dwarf Derrick



	1 No. 19
	4 " 20
	2 " 22
	2 " 22A
	1 " 23
4 No. 1	1 " 24
3 " 2	4 " 35
2 " 3	1 " 37
2 " 5	1 " 45
3 " 8	1 " 52
3 " 11	1 " 54
1 " 15A	1 " 57
1 " 17	1 " 62

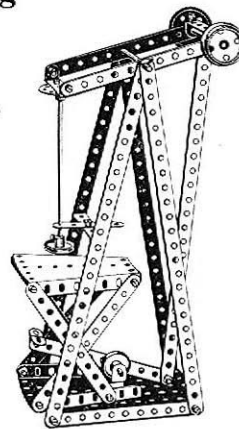
## Derrick Nain

## Potato Reaper Recolteuse de Patates



2 No. 1	1 No. 15A	5 No. 35
8 " 2	2 " 20	31 " 37
4 " 5	2 " 22	4 " 60
10 " 12	2 " 22A	2 " 61
2 " 15	1 " 24	

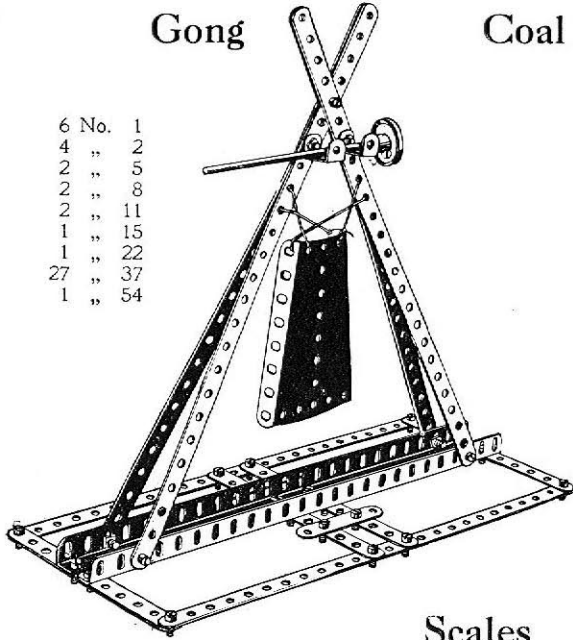
## Embossing Machine Machine à Gaufrer



5 No. 1
7 " 2
1 " 5
1 " 15
2 " 15A
1 " 18
2 " 20
2 " 22
1 " 24
4 " 35
23 " 37
1 " 44
1 " 52
2 " 54
3 " 60

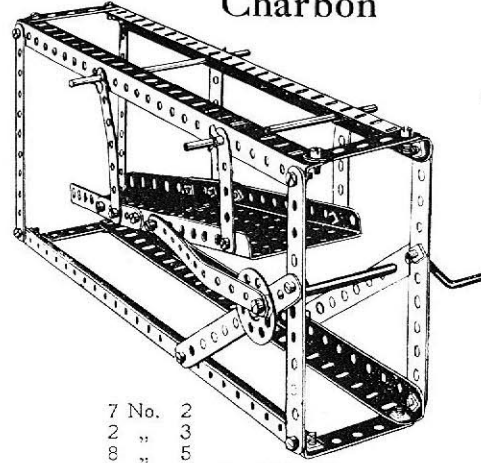
Gong

6	No.	1
4	"	2
2	"	5
2	"	8
2	"	11
1	"	15
1	"	22
27	"	37
1	"	54



Coal Shaker

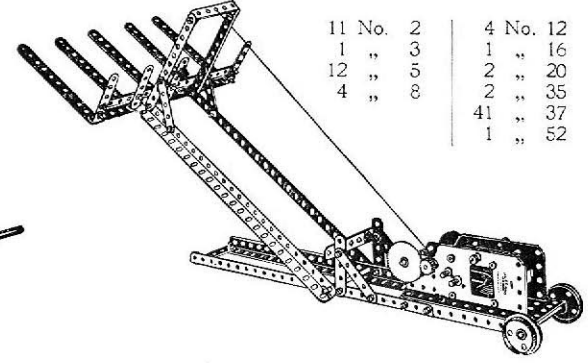
Cribleur à Charbon



7	No.	2
2	"	3
8	"	5
4	"	8
2	"	15A
1	"	19
1	"	24
		5 No. 35
		30 " 37
		1 " 52
		1 " 54

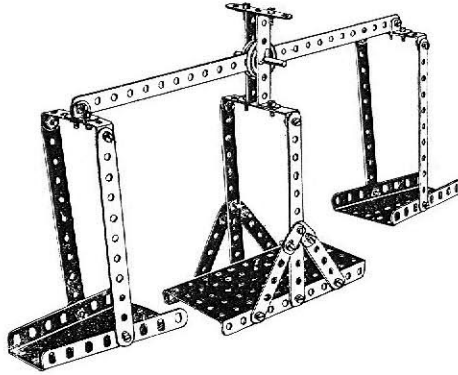
Hay Stacker  
Faneuse

11	No.	2	4	No.	12
1	"	3	1	"	16
12	"	5	2	"	20
4	"	8	2	"	35
			41	"	37
			1	"	52

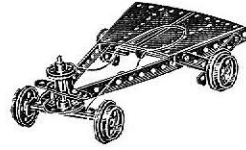


Scales  
Balance

1	No.	1
6	"	2
5	"	5
4	"	10
4	"	12
1	"	17
2	"	22A
2	"	35
32	"	37
1	"	52
2	"	54
5	"	60



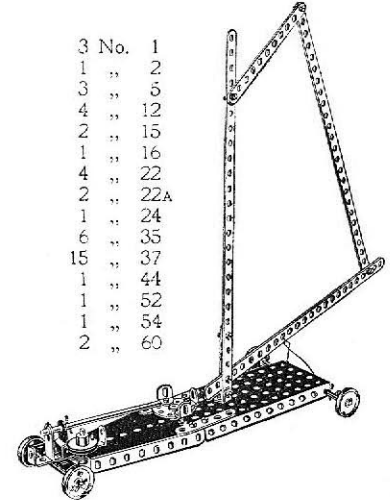
Coaster  
Côtier



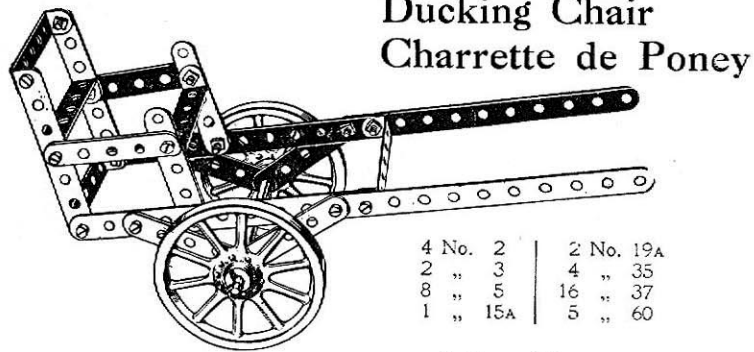
2	No.	2
5	"	5
1	"	15
1	"	16
1	"	17
4	"	20
1	"	22
1	"	24
12	"	37
1	"	45
2	"	54
1	"	60

Aéroplage

3	No.	1
1	"	2
3	"	5
4	"	12
2	"	15
1	"	16
4	"	22
2	"	22A
1	"	24
6	"	35
15	"	37
1	"	44
1	"	52
1	"	54
2	"	60

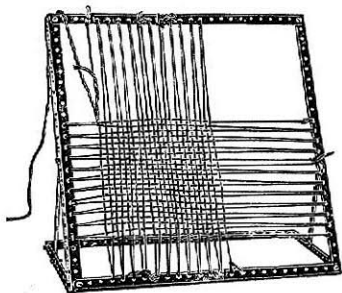






Ducking Chair  
Charrette de Poney

4 No.	2	2 No.	19A
2 "	3	4 "	35
8 "	5	16 "	37
1 "	15A	5 "	60

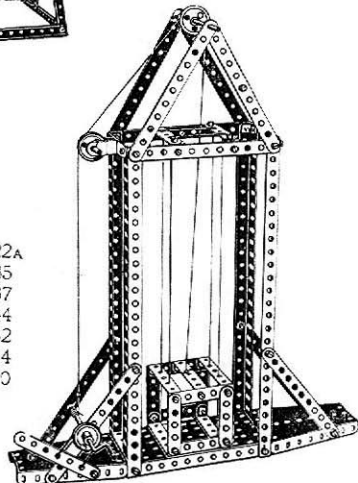


Mat Frame  
Câdre à Tisser

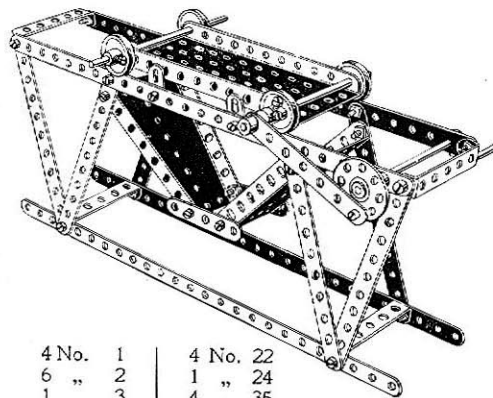
1 No.	1
4 "	2
4 "	8
2 "	12
14 "	37

Elevator  
Ascenseur

1 No.	1	2 No.	22A
10 "	2	5 "	35
1 "	3	44 "	37
10 "	5	1 "	44
4 "	8	1 "	52
4 "	12	2 "	54
1 "	15A	5 "	60
1 "	17		
1 "	19		
1 "	22		

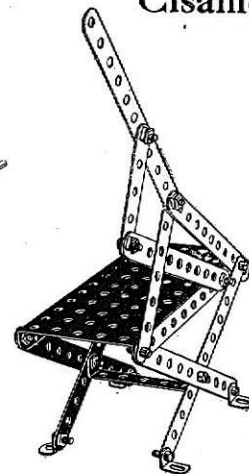


Sifter  
Tamiseur



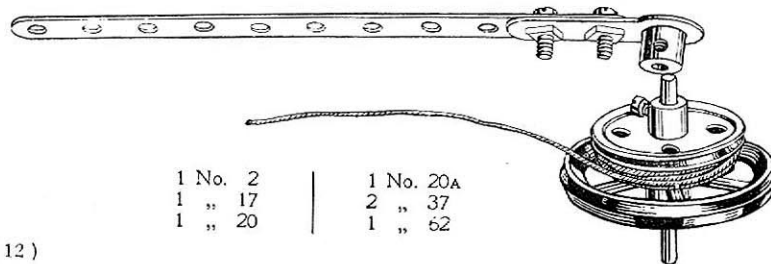
4 No.	1	4 No.	22
6 "	2	1 "	24
1 "	3	4 "	35
2 "	5	26 "	37
4 "	10	1 "	52
2 "	15A	2 "	54
1 "	19	4 "	60

Cutting Machine  
Cisailles



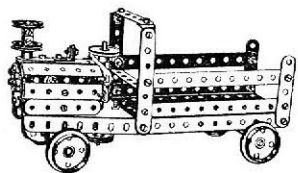
8 No.	2
1 "	3
1 "	5
4 "	12
20 "	37
1 "	52

Spinning Top  
Dévidoir à Fil



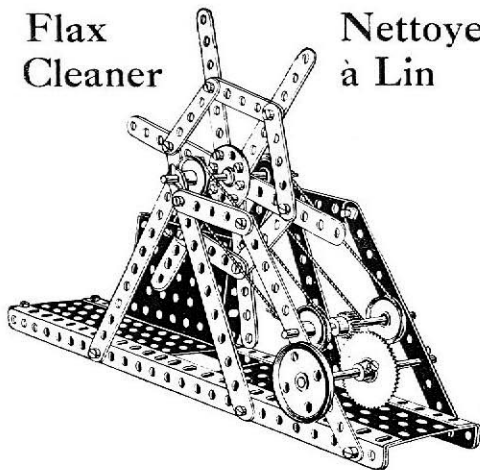
1 No.	2	1 No.	20A
1 "	17	2 "	37
1 "	20	1 "	62

### Locomotive



4 No. 2	1 No. 16	46 No. 37
2 " 3	1 " 17	1 " 45
7 " 5	4 " 20	1 " 52
4 " 10	4 " 22	1 " 54
1 " 11	1 " 23	6 " 60
8 " 12	1 " 24	2 " 62
2 " 15A	3 " 35	

### Flax Cleaner

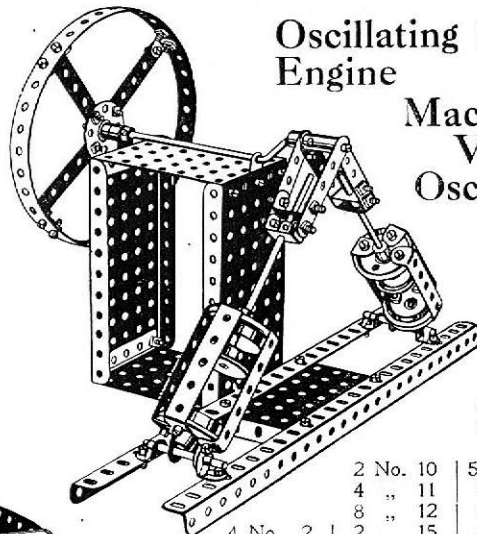


6 No. 2
6 " 3
8 " 5
2 " 8
1 " 15A
2 " 16
1 " 21
4 " 22
1 " 24
1 " 26
1 " 27A
3 " 35
28 " 37
2 " 52

### Nettoyeuse à Lin

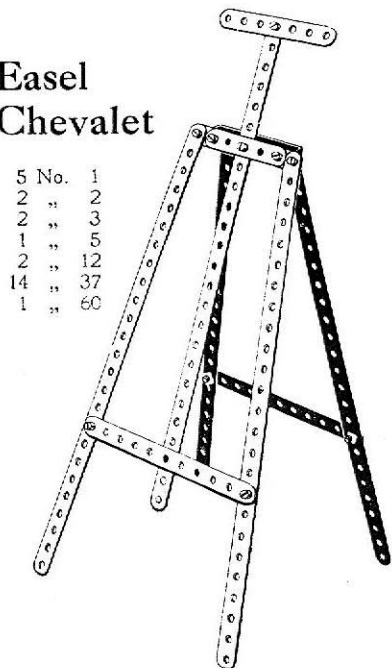
### Oscillating Steam Engine

### Machine à Vapeur Oscillante



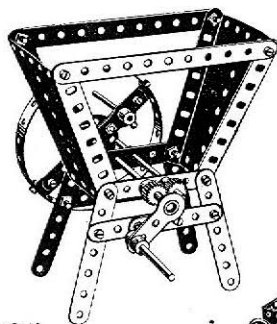
4 No. 20	
2 " 22	
1 " 24	
1 " 37	
2 " 52	
3 " 53	
4 " 59	
6 " 60	
1 " 63	
2 No. 10	54
4 " 11	2
8 " 12	3
2 " 15	4
2 " 17	6
1 " 19	1
4 No. 2	
8 " 5	
2 " 8	

### Easel Chevalet



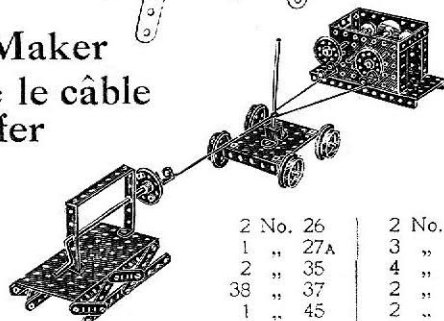
5 No. 1
2 " 2
2 " 3
1 " 5
2 " 12
14 " 37
1 " 60

### Coffee Grinder Moulin à Café



1 No. 1	2 No. 17
2 " 2	1 " 24
6 " 3	2 " 26
2 " 4	28 " 37
4 " 5	2 " 54
4 " 12	4 " 59
1 " 15	2 " 62
1 " 16	

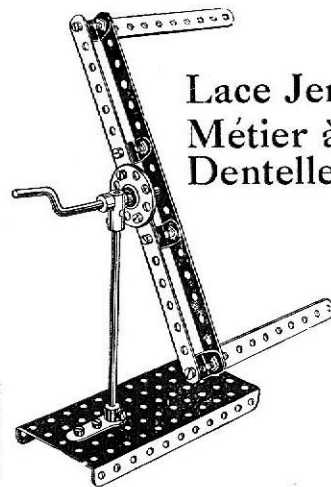
### Wire Rope Maker Machine à faire le câble en fil de fer



2 No. 2	3 No. 15
1 " 3	2 " 15A
10 " 5	2 " 19
3 " 11	4 " 20
8 " 12	1 " 24

2 No. 26	2 No. 52
1 " 27A	3 " 53
2 " 35	4 " 59
38 " 37	2 " 60
1 " 45	2 " 62

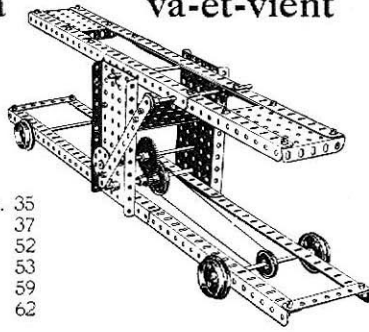
### Lace Jennier Métier à Dentelle



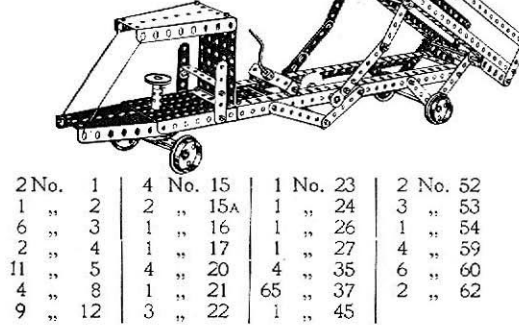
8 No. 2
4 " 11
1 " 15
1 " 19
1 " 24
14 " 37
1 " 52
1 " 59
1 " 62
1 " 63

## Actuated See-Saw Balançoire à va-et-vient Horizontal

1 No.	2		
2 "	3		
8 "	8		
3 "	15		
3 "	15A		
4 "	20	4 No.	35
1 "	21	27 "	37
1 "	22	2 "	52
1 "	24	3 "	53
1 "	26	4 "	59
1 "	27	1 "	62



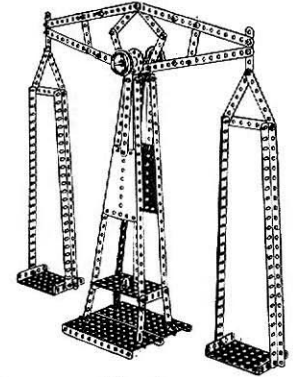
## Tip Wagon Wagon Basculant



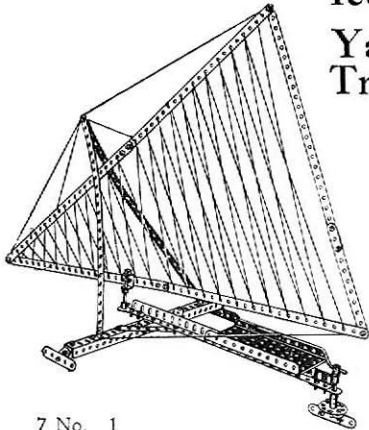
2 No.	1	4 No.	15	1 No.	23	2 No.	52
1 "	2	2 "	15A	1 "	24	3 "	53
6 "	3	1 "	16	1 "	26	1 "	54
2 "	4	1 "	17	1 "	27	4 "	59
11 "	5	4 "	20	4 "	35	6 "	60
4 "	8	1 "	21	65 "	37	2 "	62
9 "	12	3 "	22	1 "	45		

## Demonstration Scales Balance de Démonstration

5 No.	1
10 "	2
6 "	3
12 "	5
4 "	8
2 "	11
5 "	12
2 "	16
1 "	20
2 "	24
49 "	37
2 "	52
3 "	53
2 "	54

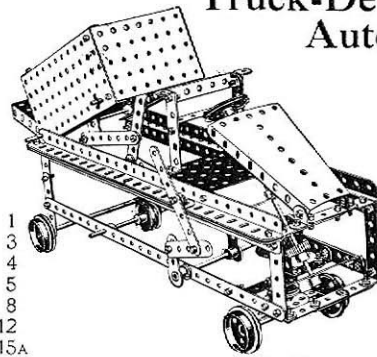


## Ice Boat Yacht- Traineau



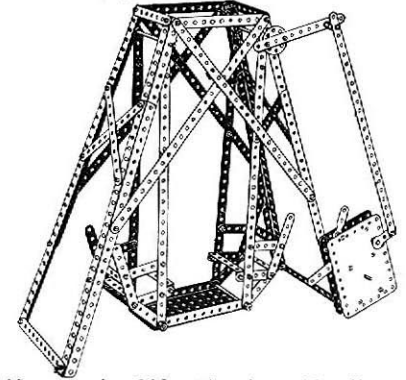
7 No.	1	3 No.	11	39 No.	37
1 "	2	6 "	12	1 "	52
2 "	3	2 "	17	3 "	59
3 "	5	1 "	19	2 "	62
2 "	8	1 "	24	1 "	63

## Motor Dump Truck Truck-Deversoir- Automobile



2 No.	1	1 No.	27	3 No.	53
6 "	3	1 "	32	2 "	54
2 "	4	2 "	35	4 "	59
12 "	5	54 "	37	4 "	60
4 "	8	1 "	45	2 "	62
6 "	12	1 "	52	1 "	63
3 "	15A				
2 "	16				
1 "	17				
1 "	19				
4 "	20				
1 "	22				
1 "	24				

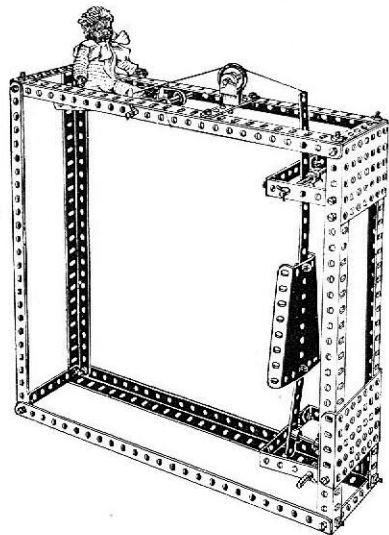
## Lawn Swing Balançoire de Jardin



9 No.	1	2 No.	15A	1 No.	52
9 "	2	2 "	16	4 "	59
6 "	3	1 "	24	6 "	60
12 "	5	6 "	35	2 "	62
8 "	8	65 "	37	1 "	63

“Drop the Nigger”  
“Lachez le Nègre”

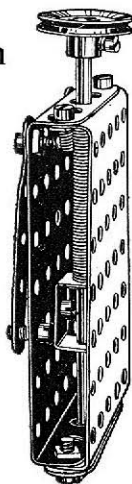
- 1 No. 1
- 6 " 3
- 8 " 8
- 1 " 12
- 3 " 15A
- 1 " 17
- 1 " 22
- 6 " 35
- 33 " 37
- 1 " 44
- 2 " 53
- 2 " 54
- 3 " 59
- 4 " 60
- 1 " 63



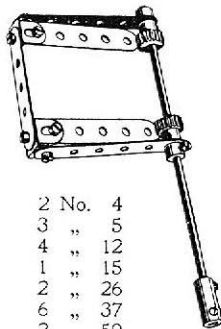
Conductor's  
Punch

Poinçon  
de  
Rece-  
veur

- 3 No. 5
- 1 " 11
- 1 " 15A
- 1 " 22
- 9 " 37
- 1 " 43
- 2 " 53
- 1 " 59



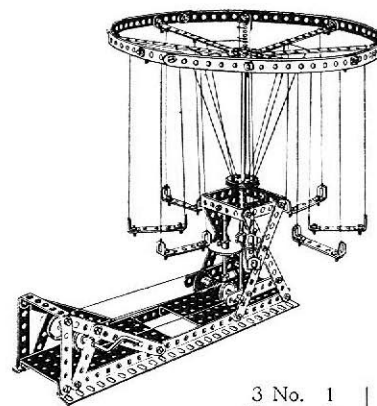
Rattle  
Crécelle



- 2 No. 4
- 3 " 5
- 4 " 12
- 1 " 15
- 2 " 26
- 6 " 37
- 2 " 59
- 1 " 63

Roundabout

Manège



- |        |    |
|--------|----|
| 12 No. | 5  |
| 2 "    | 8  |
| 24 "   | 12 |
| 3 "    | 15 |
| 1 "    | 16 |
| 1 "    | 19 |
| 1 "    | 21 |
| 4 "    | 22 |
| 2 "    | 26 |
| 1 "    | 27 |
| 1 "    | 32 |
| 63 "   | 37 |
| 12 "   | 38 |
| 3 No.  | 1  |
| 14 "   | 2  |
| 2 "    | 3  |
| 2 "    | 4  |
| 2 "    | 4  |
| 1 "    | 63 |

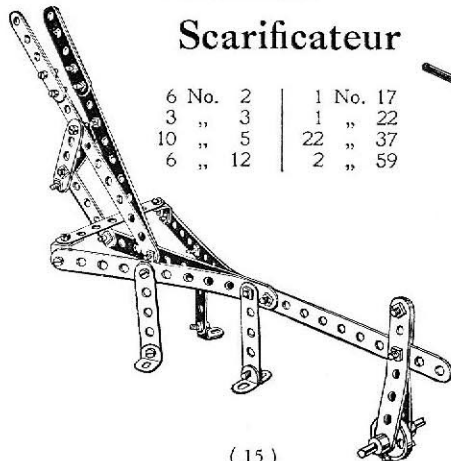
Perambulator  
Voiturette

- 3 No. 1
- 10 " 2
- 12 " 5
- 2 " 10
- 12 " 12
- 3 " 15A
- 1 " 16
- 4 " 19A
- 2 " 22
- 10 " 35
- 45 " 37
- 1 " 52
- 3 " 60

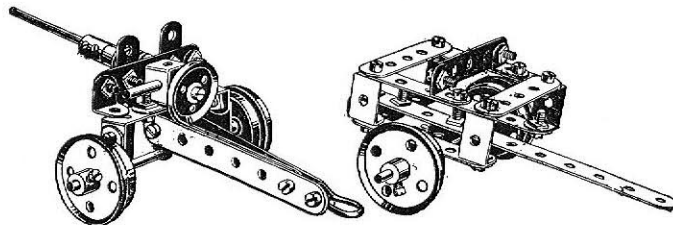


Scarifier  
Scarificateur

- |       |    |       |    |
|-------|----|-------|----|
| 6 No. | 2  | 1 No. | 17 |
| 3 "   | 3  | 1 "   | 22 |
| 10 "  | 5  | 22 "  | 37 |
| 6 "   | 12 | 2 "   | 59 |



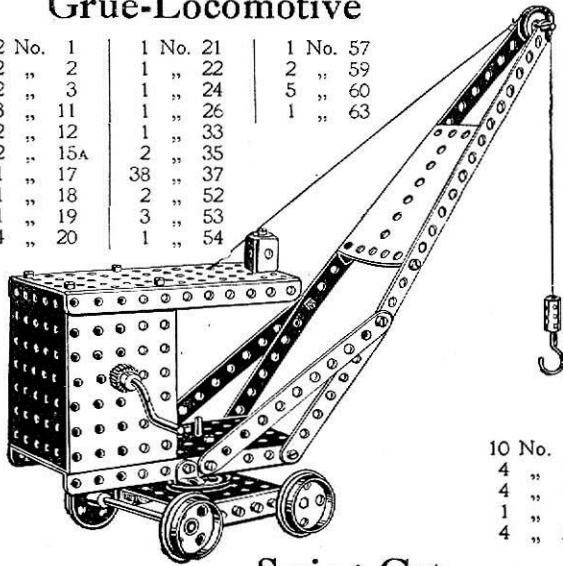
Field Gun and Carriage  
Canon de Campagne et Caisson



- |       |    |       |     |        |    |
|-------|----|-------|-----|--------|----|
| 1 No. | 2  | 2 No. | 15A | 27 No. | 37 |
| 5 "   | 3  | 1 "   | 16  | 1 "    | 45 |
| 12 "  | 5  | 1 "   | 17  | 1 "    | 57 |
| 2 "   | 10 | 4 "   | 20  | 2 "    | 59 |
| 4 "   | 11 | 1 "   | 22  | 2 "    | 60 |
| 5 "   | 12 | 1 "   | 32  | 1 "    | 63 |

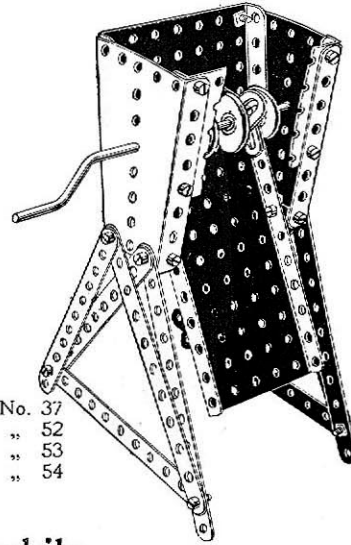
## Locomotive Crane Grue-Locomotive

2 No. 1	1 No. 21	1 No. 57
2 " 2	1 " 22	2 " 59
2 " 3	1 " 24	5 " 60
3 " 11	1 " 26	1 " 63
2 " 12	1 " 33	
2 " 15A	2 " 35	
1 " 17	38 " 37	
1 " 18	2 " 52	
1 " 19	3 " 53	
4 " 20	1 " 54	



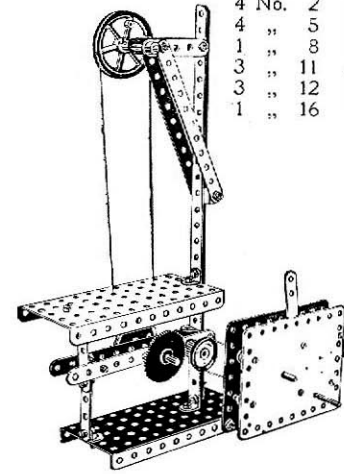
10 No. 2	20 No. 37
4 " 10	1 " 52
4 " 12	2 " 53
1 " 19	2 " 54
4 " 22	

## Oil Cake Chopper Coupe-Tourteau

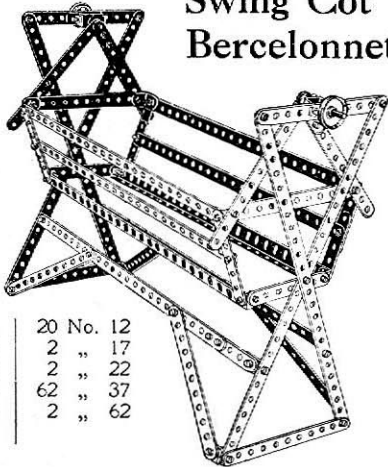


## Band Saw Scie à Ruban

4 No. 2	2 No. 17
4 " 5	1 " 20A
1 " 8	1 " 21
3 " 11	1 " 22
3 " 12	1 " 26
1 " 16	1 " 27A
	21 " 37
	2 " 52
	2 " 59
	1 " 60

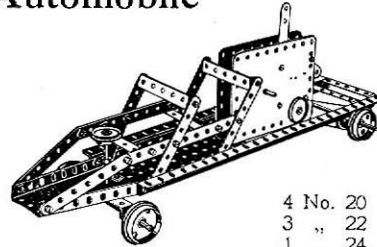


## Swing Cot Bercelonnette



10 No. 1	20 No. 12
14 " 2	2 " 17
2 " 3	2 " 22
8 " 5	62 " 37
2 " 8	2 " 62
2 " 11	

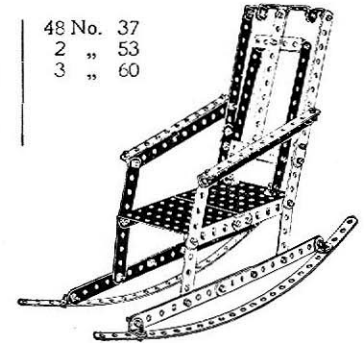
## Automobile



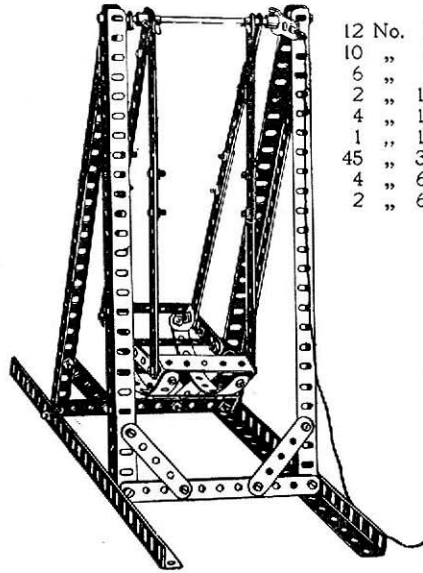
2 No. 2	4 No. 20
6 " 3	3 " 22
2 " 8	1 " 24
4 " 12	1 " 37
2 " 15	38 " 45
2 " 17	1 " 46
	1 " 52
	1 " 54
	3 " 59
	7 " 60

## Rocking Chair

2 No. 1	48 No. 37
13 " 2	2 " 53
8 " 5	3 " 60
2 " 10	
2 " 11	
11 " 12	

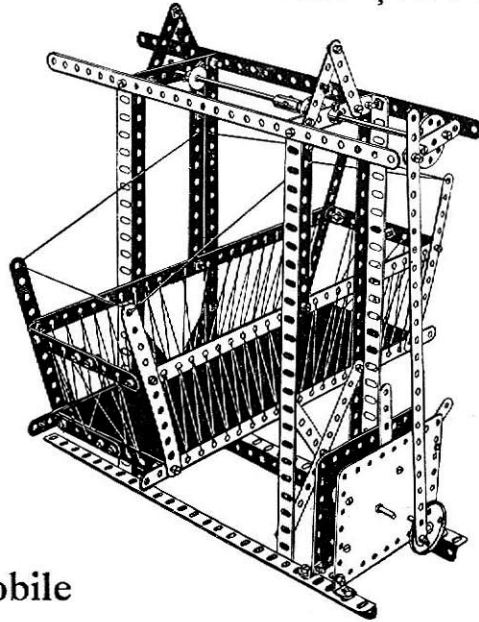


## Swing Balçoire



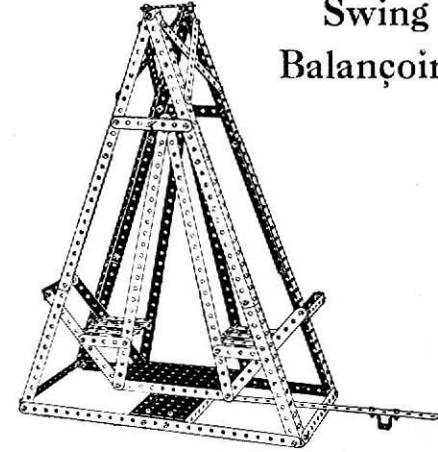
12	No.	2
10	"	5
6	"	8
2	"	11
4	"	12
1	"	15
45	"	37
4	"	60
2	"	62

## Automatic Swing Boat Balçoire Russe



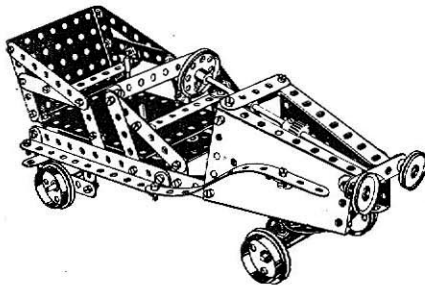
7	No.	1
10	"	2
3	"	3
12	"	5
4	"	8
12	"	12
2	"	15
1	"	21
1	"	24
66	"	37
2	"	59
2	"	62
1	"	63

## Swing Balçoire



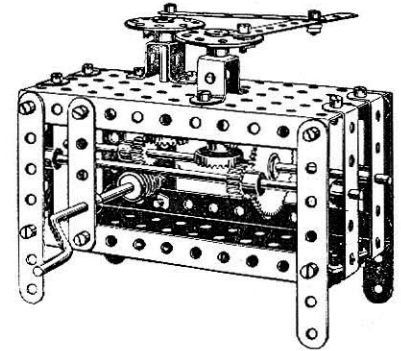
7	No.	1	1	No.	15
11	"	2	6	"	35
2	"	3	67	"	37
10	"	5	1	"	45
8	"	8	2	"	52
6	"	12	6	"	60

## Automobile



8	No.	2	1	No.	21
5	"	3	2	"	22
4	"	4	1	"	24
9	"	5	2	"	26
6	"	10	1	"	28
23	"	12	1	"	29
1	"	14	17	"	37
1	"	15	1	"	45
1	"	15A	1	"	53
1	"	17	2	"	54
4	"	20	4	"	59
			2	"	60

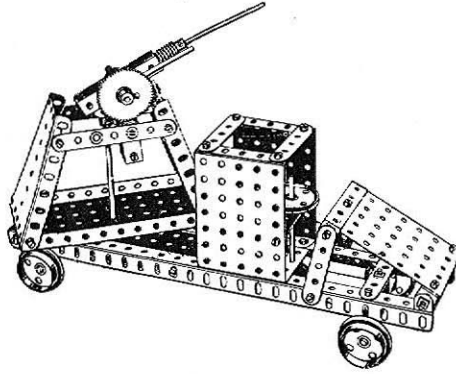
## Harmonograph Harmonographe



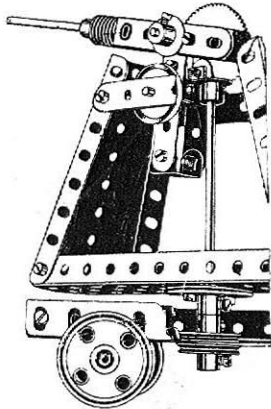
1	No.	2	1	No.	27A
4	"	3	2	"	29
1	"	4	1	"	32
2	"	5	27	"	37
2	"	14	2	"	45
2	"	17	2	"	52
1	"	19	8	"	59
2	"	24	4	"	60
2	"	26			

# Armoured Motor Car

## Automobile Blindée

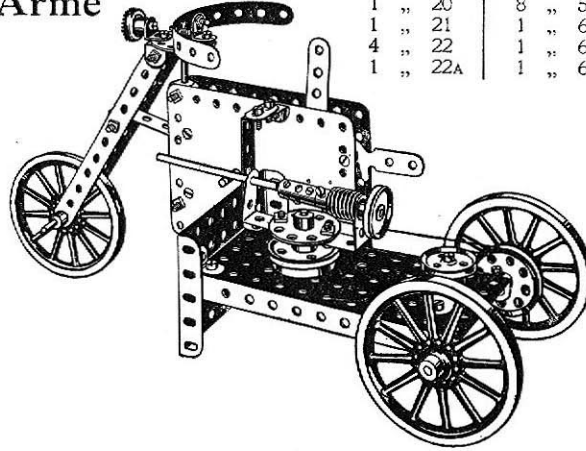


- 2 No. 3
- 9 " 5
- 2 " 8
- 2 " 11
- 2 " 12
- 2 " 15
- 2 " 15A
- 1 " 16
- 3 " 17
- 4 " 20
- 1 " 21
- 4 " 22
- 1 " 24
- 1 " 26
- 1 " 27
- 1 " 32
- 43 " 37
- 1 " 45
- 2 " 52
- 3 " 53
- 2 " 54
- 1 " 59
- 7 " 60
- 1 " 62
- 1 " 63



# Armoured Motor Tricycle

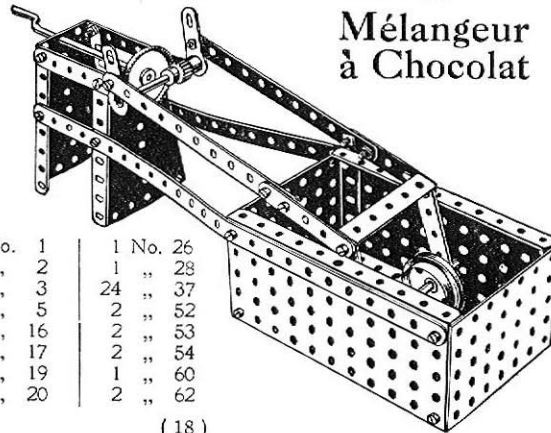
## Auto Tricycle Armé



- |         |          |
|---------|----------|
| 4 No. 2 | 2 No. 24 |
| 1 " 5   | 1 " 29   |
| 1 " 10  | 1 " 33   |
| 3 " 11  | 29 " 37  |
| 6 " 12  | 2 " 45   |
| 2 " 15  | 1 " 46   |
| 1 " 17  | 1 " 52   |
| 1 " 18  | 1 " 53   |
| 1 " 20  | 8 " 59   |
| 1 " 21  | 1 " 60   |
| 4 " 22  | 1 " 62   |
| 1 " 22A | 1 " 63   |

# Chocolate Mixer

## Mélangeur à Chocolat

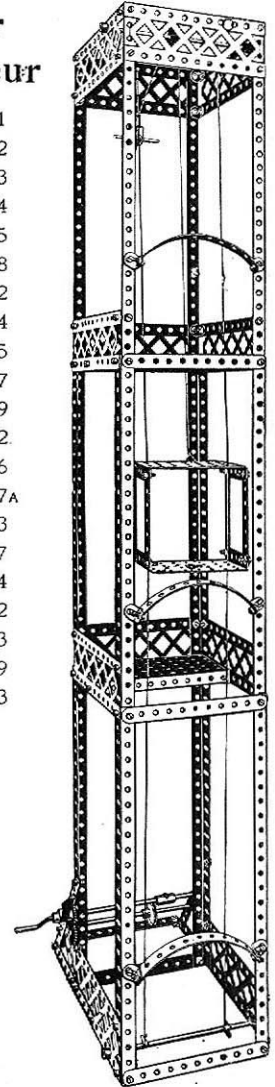


- |         |          |
|---------|----------|
| 2 No. 1 | 1 No. 26 |
| 2 " 2   | 1 " 28   |
| 2 " 3   | 24 " 37  |
| 4 " 5   | 2 " 52   |
| 1 " 16  | 2 " 53   |
| 1 " 17  | 2 " 54   |
| 1 " 19  | 1 " 60   |
| 2 " 20  | 2 " 62   |

# Elevator

## Ascenseur

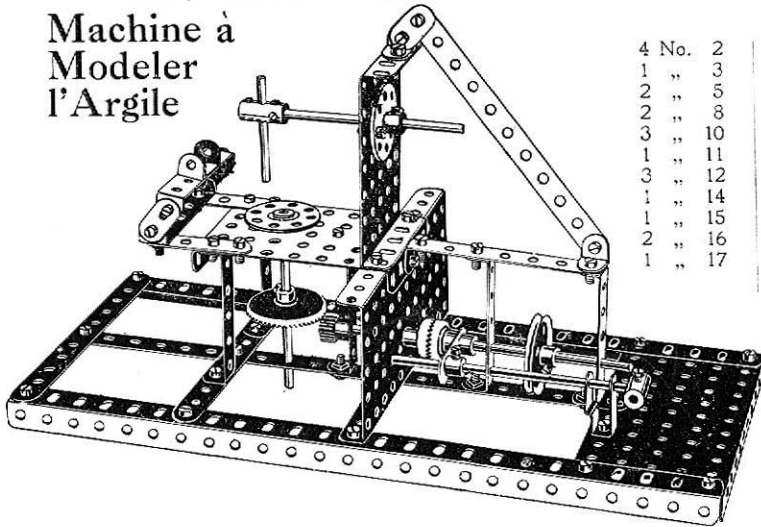
- 4 No. 1
- 20 " 2
- 4 " 3
- 2 " 4
- 2 " 5
- 8 " 8
- 9 " 12
- 2 " 14
- 1 " 15
- 2 " 17
- 1 " 19
- 3 " 22
- 1 " 26
- 1 " 27A
- 1 " 33
- 74 " 37
- 1 " 44
- 2 " 52
- 2 " 53
- 5 " 59
- 1 " 63





## Clay Modelling Machine

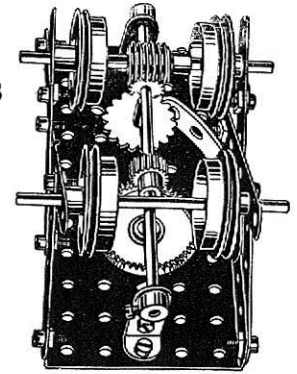
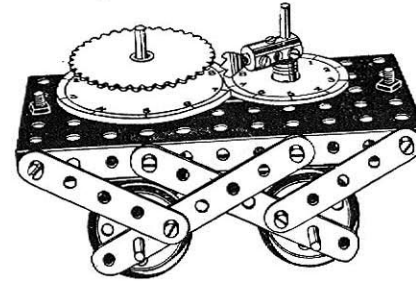
Machine à  
Modeler  
l'Argile



4	No.	2
1	"	3
2	"	5
2	"	8
3	"	10
1	"	11
3	"	12
1	"	14
1	"	15
2	"	16
1	"	17

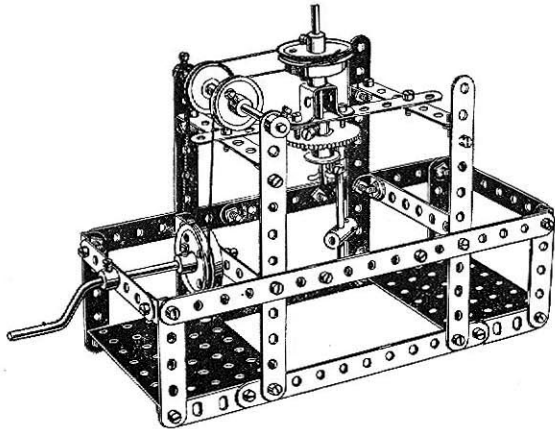
1	No.	21
2	"	24
1	"	26
1	"	28
2	"	29
41	"	37
2	"	52
2	"	53
2	"	59
7	"	60
1	"	62
2	"	63

## Distance Indicator Compteur de Distances



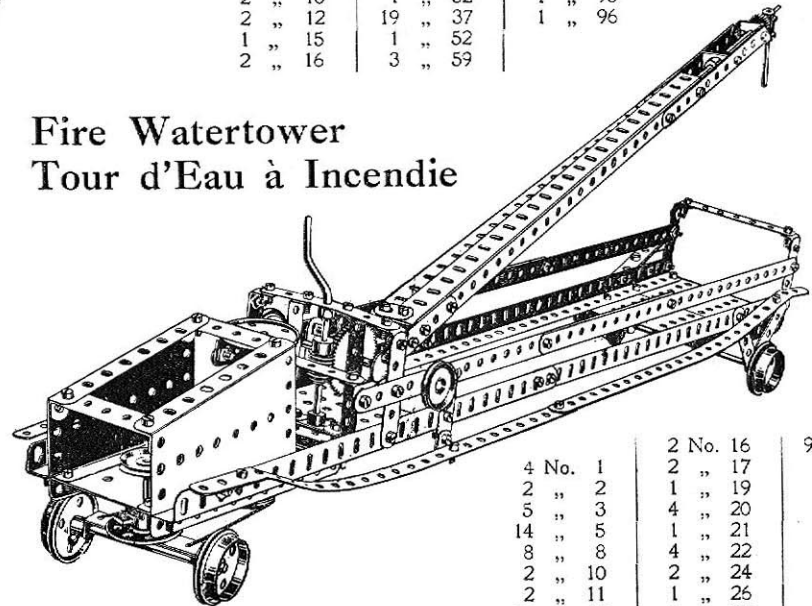
4	No.	3	4	No.	20	2	No.	62
1	"	4	2	"	26	1	"	63
4	"	5	1	"	28	1	"	65
2	"	10	1	"	32	1	"	95
2	"	12	19	"	37	1	"	96
1	"	15	1	"	52			
2	"	16	3	"	59			

## Mixing Machine Mélangeoir

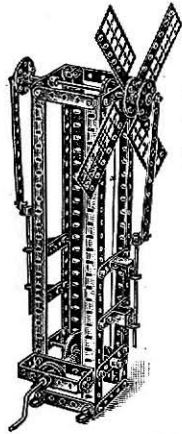


11	No.	2
6	"	3
4	"	5
12	"	12
1	"	15A
2	"	16
2	"	19
2	"	20
2	"	22
1	"	26
1	"	27
43	"	37
1	"	45
2	"	53
3	"	59
2	"	62
2	"	63

## Fire Watertower Tour d'Eau à Incendie



4	No.	1	2	No.	16	98	No.	37
2	"	2	2	"	17	1	"	45
5	"	3	1	"	19	1	"	52
14	"	5	4	"	20	3	"	53
8	"	8	1	"	21	2	"	54
2	"	10	4	"	22	5	"	59
2	"	11	2	"	24	3	"	60
12	"	12	1	"	26	2	"	62
3	"	15A	1	"	27A	1	"	63
			1	"	32			



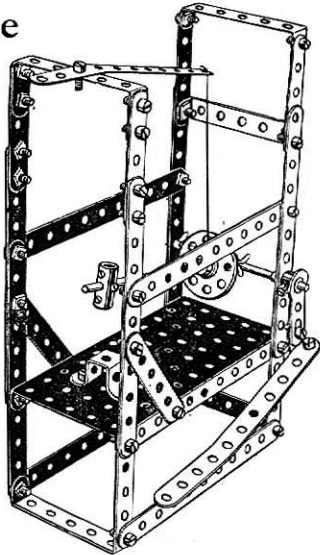
Double-action  
Windmill Pump  
Pompe Double-action  
de Moulin à Vent

2 No.	2	1 No.	24
14 "	5	1 "	26
4 "	8	1 "	28
2 "	11	54 "	37
10 "	12	2 "	45
3 "	15	1 "	46
1 "	16	5 "	59
1 "	19	1 "	60
1 "	21	4 "	61
2 "	22	2 "	62

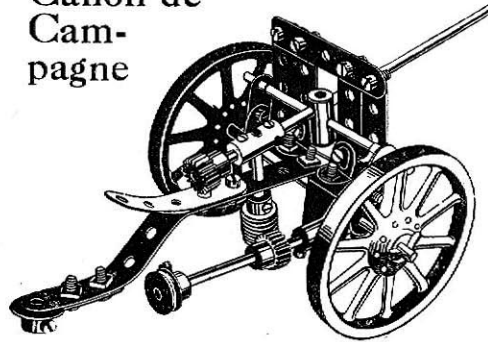
Treadle Hammer

Marteau à  
Pédale

14 No.	2
2 "	4
4 "	5
1 "	15
1 "	16
1 "	24
4 "	35
29 "	37
1 "	45
1 "	52
5 "	60
1 "	62
2 "	63



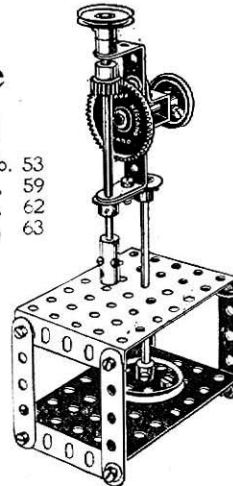
Field Gun  
Canon de  
Campagne



1 No.	2	2 No.	16	17 No.	37
7 "	5	1 "	17	1 "	44
2 "	10	2 "	19A	2 "	59
6 "	12	1 "	23A	1 "	60
1 "	14	2 "	26	1 "	62
1 "	15	1 "	32	2 "	63
		6 "	35		

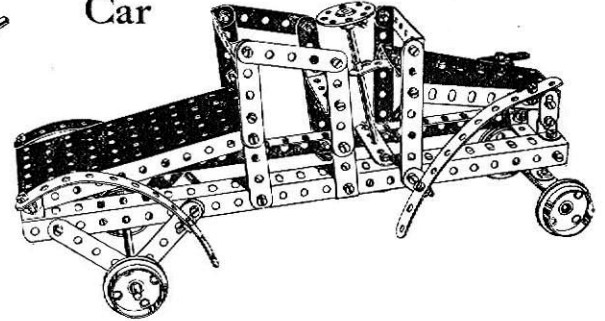
Drilling  
Machine  
Machine à  
Percer

4 No.	5
1 "	15
1 "	15A
1 "	17
1 "	21
2 "	22
1 "	26
1 "	28
13 "	37
1 "	45
1 "	46



Motor  
Car

Automobile

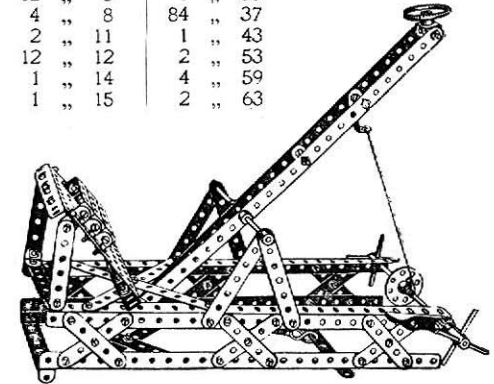


5 No.	2	1 No.	15	55 No.	37
2 "	3	2 "	15A	1 "	45
14 "	5	4 "	20	1 "	52
2 "	8	1 "	24	1 "	54
2 "	10	1 "	35	6 "	60
12 "	12			1 "	62

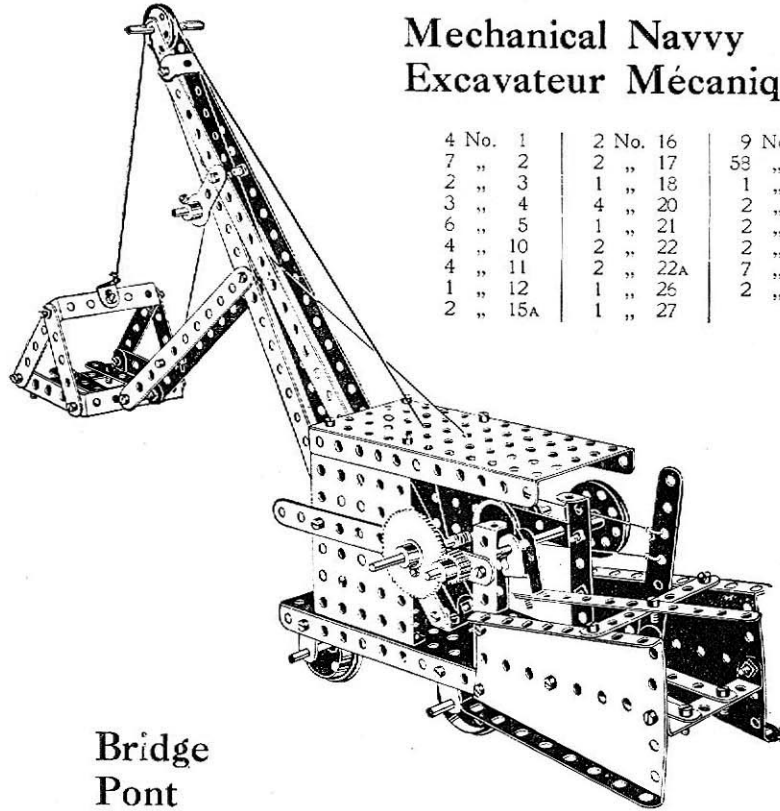
Catapult

Catapulte

2 No.	1	4 No.	17
5 "	2	1 "	24
6 "	3	1 "	26
4 "	4	1 "	28
12 "	5	1 "	33
4 "	8	84 "	37
2 "	11	1 "	43
12 "	12	2 "	53
1 "	14	4 "	59
1 "	15	2 "	63

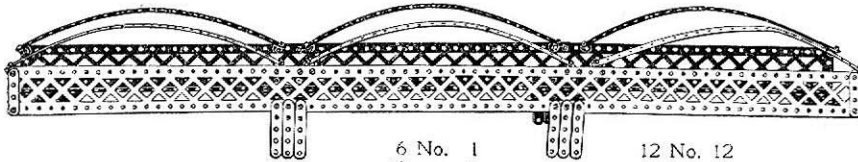


## Mechanical Navvy Excavateur Mécanique



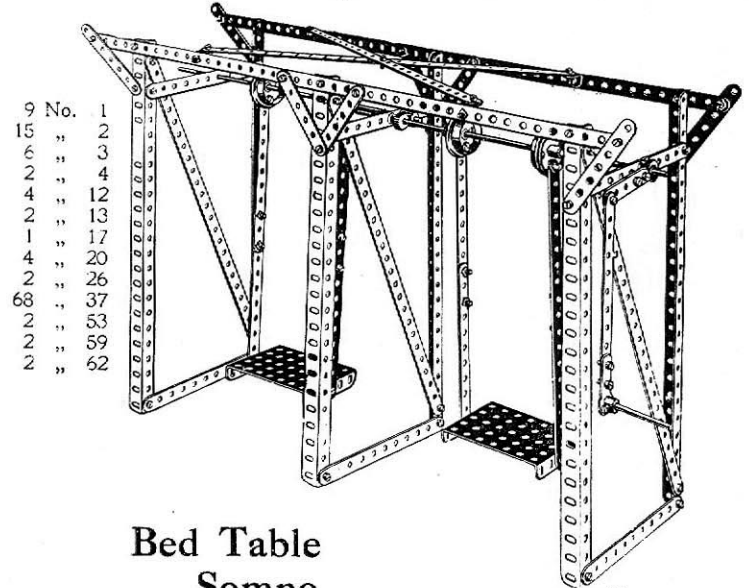
4 No.	1	2 No.	16	9 No.	35
7 "	2	2 "	17	53 "	37
2 "	3	1 "	18	1 "	44
3 "	4	4 "	20	2 "	52
6 "	5	1 "	21	2 "	53
4 "	10	2 "	22	2 "	54
4 "	11	2 "	22A	7 "	60
1 "	12	1 "	26	2 "	62
2 "	15A	1 "	27		

## Bridge Pont



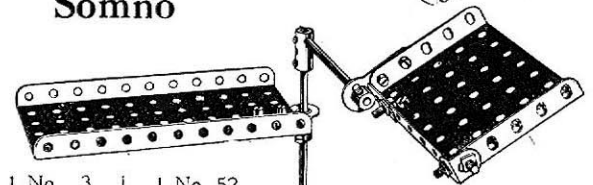
6 No.	1	12 No.	12
12 "	5	44 "	37
4 "	6	4 "	53
6 "	8	6 "	99

## Alternating Swing Balancoire Alternante

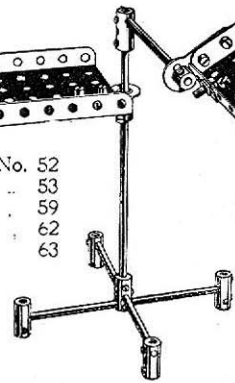


9 No.	1
15 "	2
6 "	3
2 "	4
4 "	12
2 "	13
1 "	17
4 "	20
2 "	26
68 "	37
2 "	53
2 "	59
2 "	62

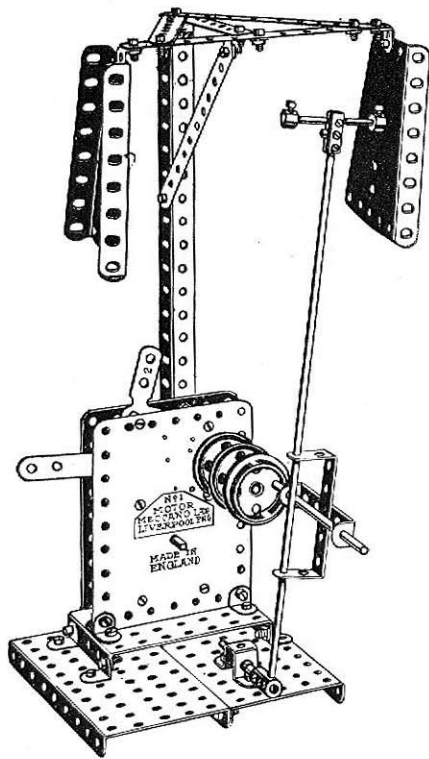
## Bed Table Somno



1 No.	3	1 No.	52
2 "	12	1 "	53
1 "	14	1 "	59
2 "	15A	2 "	62
1 "	16	6 "	63
8 "	37		

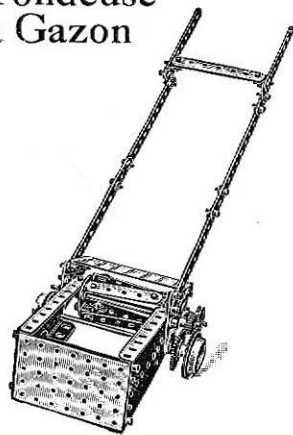


## Automatic Gong Gong Automatique



5 No.	2	29 No.	37
1 "	8	1 "	45
11 "	12	1 "	46
1 "	13	2 "	52
1 "	15	2 "	54
1 "	16	3 "	59
2 "	17	1 "	60
3 "	20	2 "	63
2 "	35		

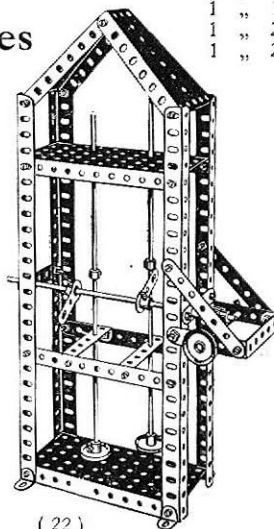
## Lawn Mower Tondeuse à Gazon



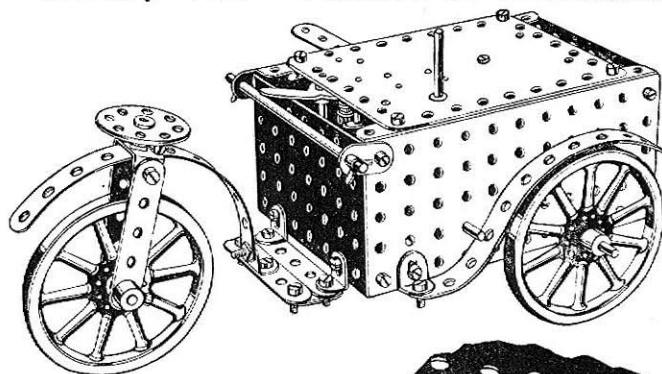
4 No.	2
2 "	3
10 "	5
4 "	10
10 "	12
3 "	15
2 "	20
2 "	22
1 "	23
2 "	24
1 "	26
1 "	27A
50 "	37
3 "	53
2 "	54

## Trip-Hammer Marteau à Cames

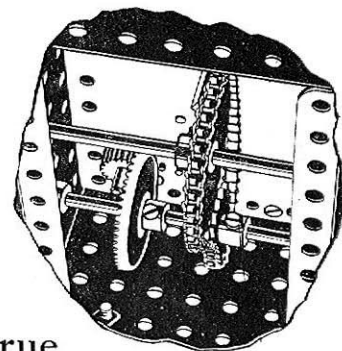
2 No.	2	3 No.	22
2 "	3	1 "	26
4 "	5	1 "	32
4 "	8	32 "	37
4 "	12	2 "	52
2 "	13	2 "	54
1 "	14	4 "	59
1 "	16	3 "	60
1 "	17	2 "	62
		1 "	63



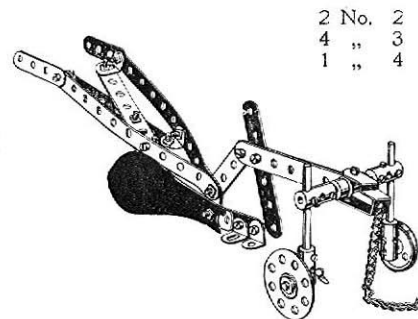
## Delivery Van—Voiture de Livraison



3 No.	2	1 No.	28
4 "	5	2 "	35
4 "	10	27 "	37
1 "	11	2 "	52
5 "	12	2 "	53
1 "	15	6 "	59
1 "	15A	9 "	94
1 "	18	1 "	95
1 "	24	1 "	96
1 "	26		

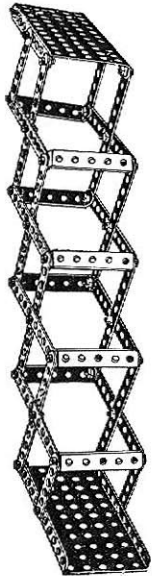


## Plough—Charrue



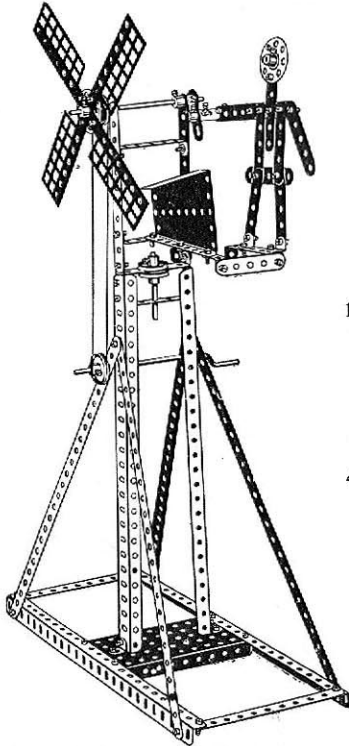
2 No.	2	1 No.	5
4 "	3	4 "	6
1 "	4	6 "	12
		2 "	17
		1 "	18
		1 "	22
		1 "	24
		15 "	37
		1 "	41
		1 "	44
		2 "	59
		4 "	63
		3 "	94

Periscope  
Périscop



- 16 No. 2
- 4 " 4
- 32 " 37
- 2 " 52
- 8 " 60

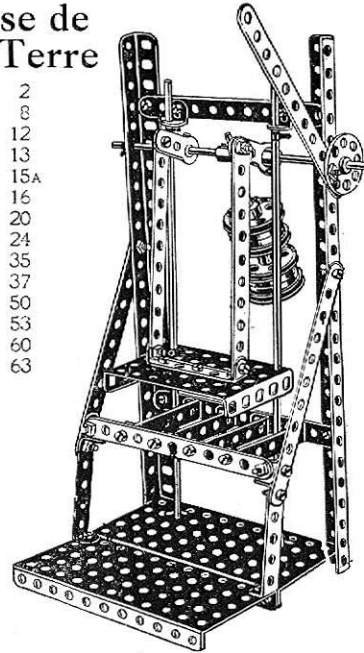
Windmill Scare  
Epouvantail de  
Moulin-à Vent



- 4 No. 1
- 4 " 2
- 10 " 5
- 4 " 8
- 4 " 12
- 1 " 15A
- 2 " 17
- 2 " 19
- 4 " 22
- 2 " 24
- 49 " 37
- 1 " 52
- 1 " 54
- 4 " 59
- 6 " 60
- 4 " 61
- 1 " 62
- 1 " 63

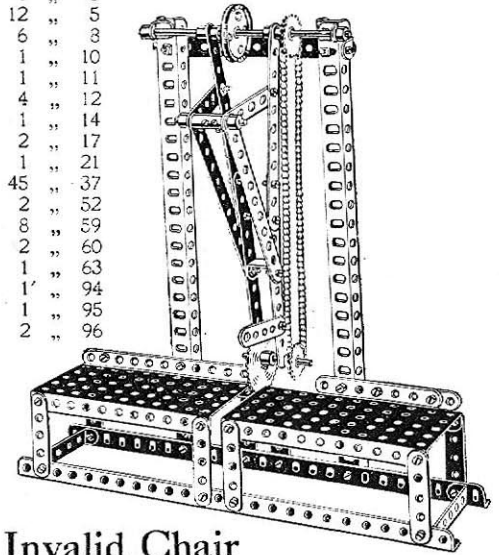
Potato Chopper  
Eplucheuse de  
Pommes Terre

- 8 No. 2
- 2 " 8
- 4 " 12
- 2 " 13
- 1 " 15A
- 2 " 16
- 4 " 20
- 1 " 24
- 5 " 35
- 38 " 37
- 2 " 50
- 1 " 53
- 6 " 60
- 1 " 63



Swing Saw  
Scie Oscillante

- 8 No. 2
- 1 " 3
- 12 " 5
- 6 " 8
- 1 " 10
- 1 " 11
- 4 " 12
- 1 " 14
- 2 " 17
- 1 " 21
- 45 " 37
- 2 " 52
- 8 " 59
- 2 " 60
- 1 " 63
- 1 " 94
- 1 " 95
- 2 " 96



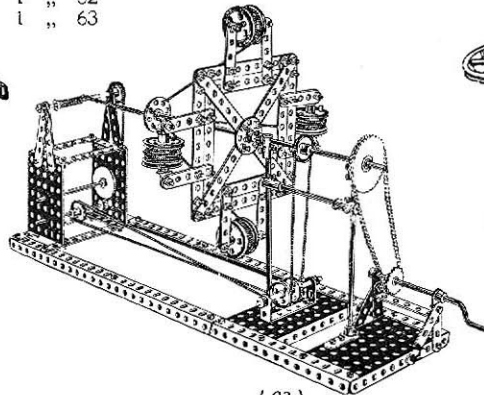
Invalid Chair  
Voiturette  
de Malade

- 6 No. 2
- 4 " 5
- 2 " 15A
- 1 " 16
- 2 " 19A
- 1 " 20A
- 2 " 22
- 1 " 24
- 1 " 37
- 24 " 46
- 1 " 52
- 1 " 54
- 1 " 59
- 4 " 60

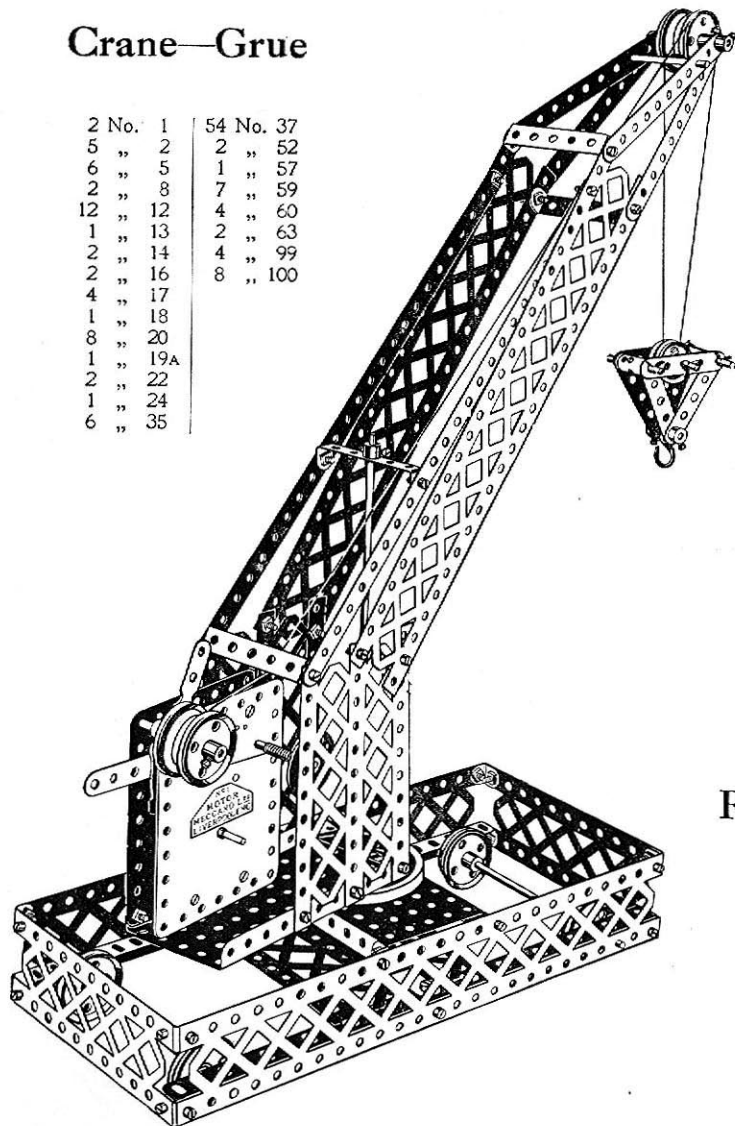


Wire Rope Maker  
Machine à faire le  
Câble-fil de Fer

- |          |          |           |
|----------|----------|-----------|
| 10 No. 2 | 2 No. 14 | 2 No. 22A |
| 6 " 3    | 4 " 15   | 1 " 24    |
| 4 " 4    | 1 " 16   | 1 " 26    |
| 12 " 5   | 4 " 17   | 1 " 27A   |
| 4 " 8    | 1 " 19   | 80 " 37   |
| 8 " 12   | 8 " 20   | 2 " 52    |
| 1 " 13   | 4 " 22   | 7 " 59    |

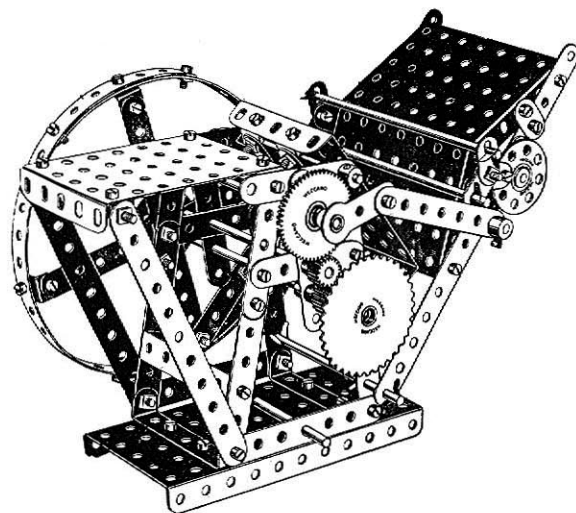


# Crane—Grue



2	No.	1	54	No.	37
5	"	2	2	"	52
6	"	5	1	"	57
2	"	8	7	"	59
12	"	12	4	"	60
1	"	13	2	"	63
2	"	14	4	"	99
2	"	16	8	"	100
4	"	17			
1	"	18			
8	"	20			
1	"	19A			
2	"	22			
1	"	24			
6	"	35			

# Printing Machine—Machine à Imprimer

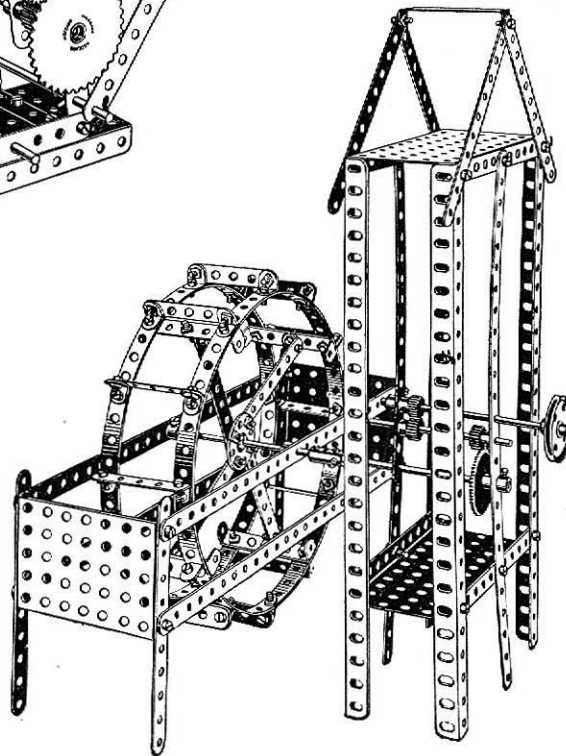


2	No.	1	1	No.	21
9	"	2	2	"	24
10	"	3	2	"	26
2	"	4	1	"	27A
9	"	5	12	"	35
10	"	10	73	"	37
12	"	12	1	"	52
1	"	14	4	"	53
4	"	15	6	"	59
3	"	15A	4	"	60
2	"	16			

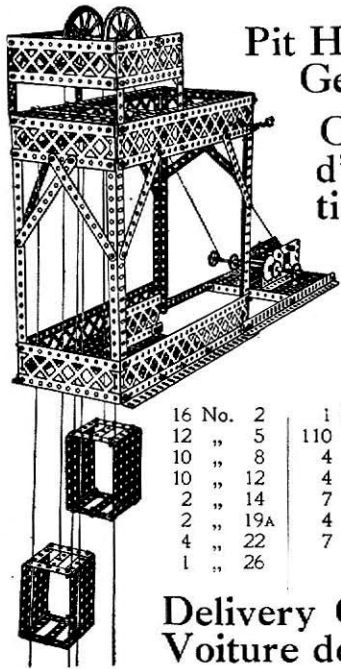
# Belgian Water Wheel

# Roue Hydraulique Belge

10	No.	1	1	No.	24
12	"	2	3	"	26
12	"	5	1	"	27A
4	"	8	82	"	37
28	"	12	2	"	52
2	"	15	2	"	53
1	"	15A	4	"	59
1	"	16	5	"	60
1	"	21	1	"	63





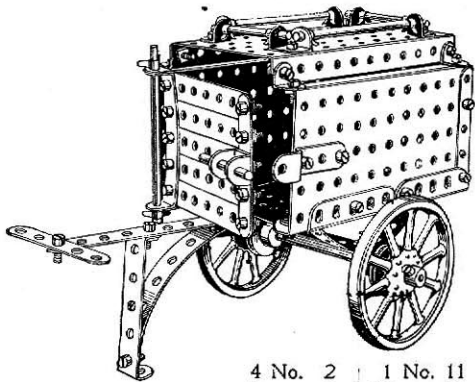


**Pit Head Gear**

**Cage d'Extraction de Mines**

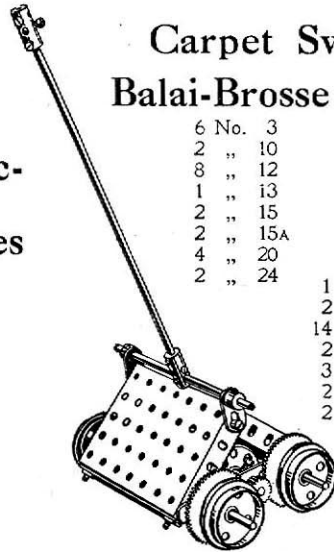
16 No. 2	1 No. 27A
12 " 5	110 " 37
10 " 8	4 " 52
10 " 12	4 " 53
2 " 14	7 " 59
2 " 19A	4 " 99
4 " 22	7 " 100
1 " 26	

**Delivery Cart  
Voiture de Livraison**



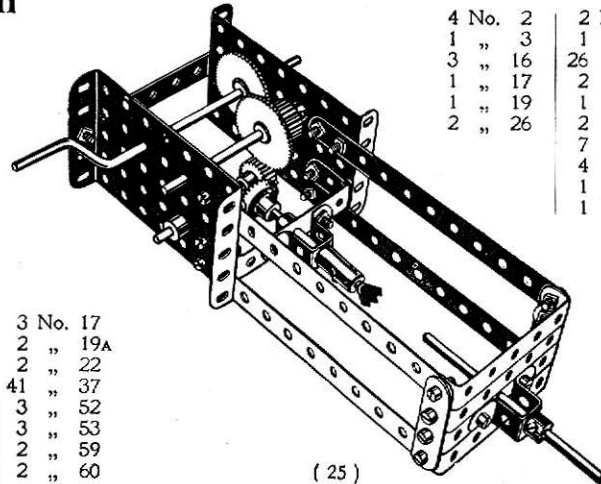
4 No. 2	1 No. 11
5 " 3	12 " 12
3 " 5	1 " 15
2 " 10	3 " 16

**Carpet Sweeper  
Balai-Brosse à Tapis**



6 No. 3	1 No. 26
2 " 10	2 " 27
8 " 12	14 " 37
1 " 13	2 " 53
2 " 15	3 " 59
2 " 15A	2 " 60
4 " 20	2 " 63
2 " 24	

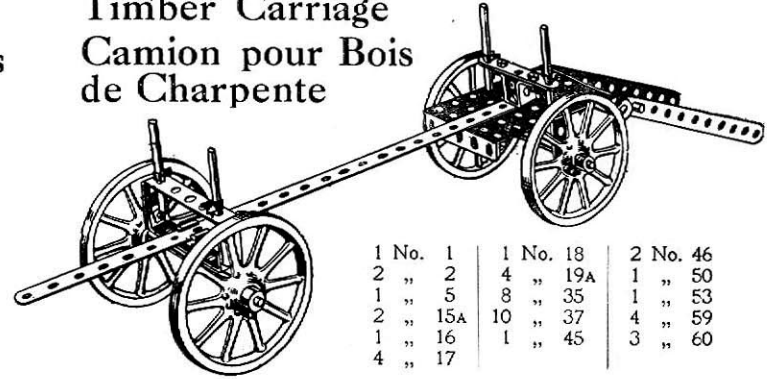
**Spooling Machine  
Bobinoir**



4 No. 2	2 No. 27A
1 " 3	1 " 29
3 " 16	26 " 37
1 " 17	2 " 45
1 " 19	1 " 46
2 " 26	2 " 53
	7 " 59
	4 " 60
	1 " 63
	1 " 65

3 No. 17
2 " 19A
2 " 22
41 " 37
3 " 52
3 " 53
2 " 59
2 " 60

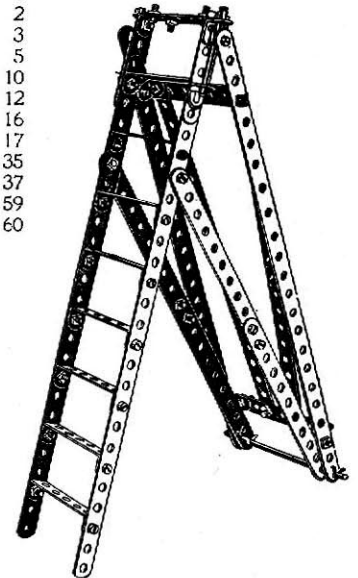
**Timber Carriage  
Camion pour Bois de Charpente**



1 No. 1	1 No. 18	2 No. 46
2 " 2	4 " 19A	1 " 50
1 " 5	8 " 35	1 " 53
2 " 15A	10 " 37	4 " 59
1 " 16	1 " 45	3 " 60
4 " 17		

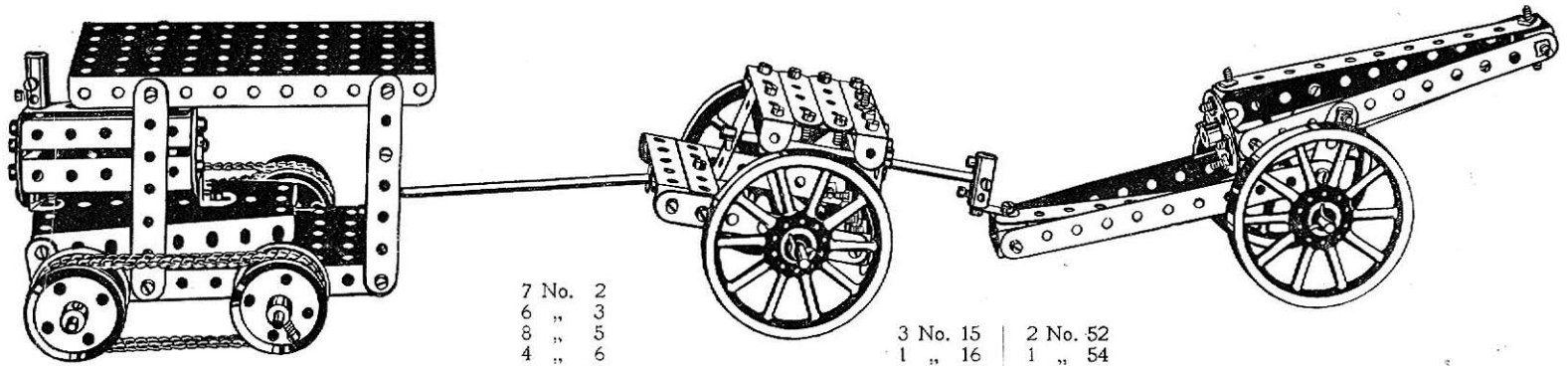
**Ladder Echelle**

4 No. 1
8 " 2
2 " 3
3 " 5
2 " 10
8 " 12
1 " 16
2 " 17
10 " 35
44 " 37
2 " 59
9 " 60





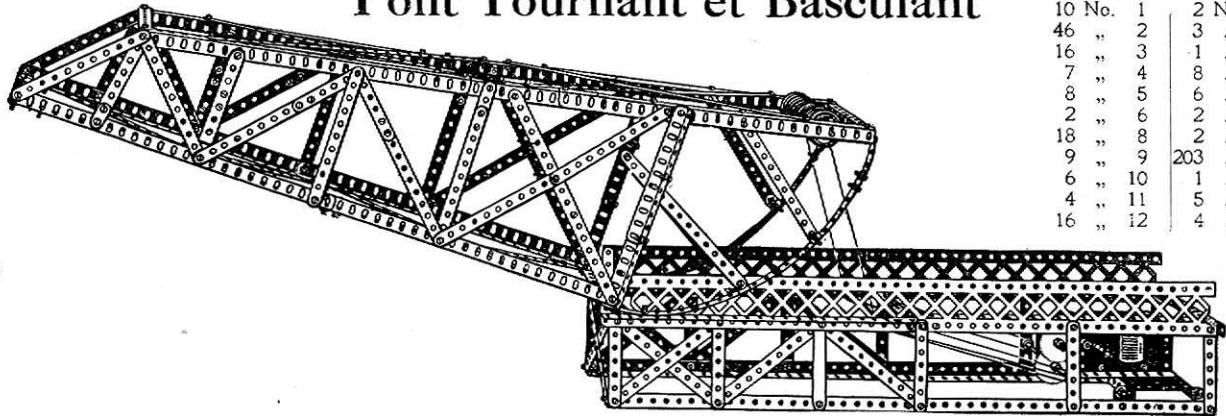
# Caterpillar and Gun—Tracteur et Canon



7	No.	2
6	"	3
8	"	5
4	"	6
1	"	10
4	"	11
8	"	12
2	"	14

3	No.	15	2	No.	52
1	"	16	1	"	54
8	"	20	3	"	59
3	"	24	11	"	60
4	"	35	2	"	63
78	"	37	4	"	94

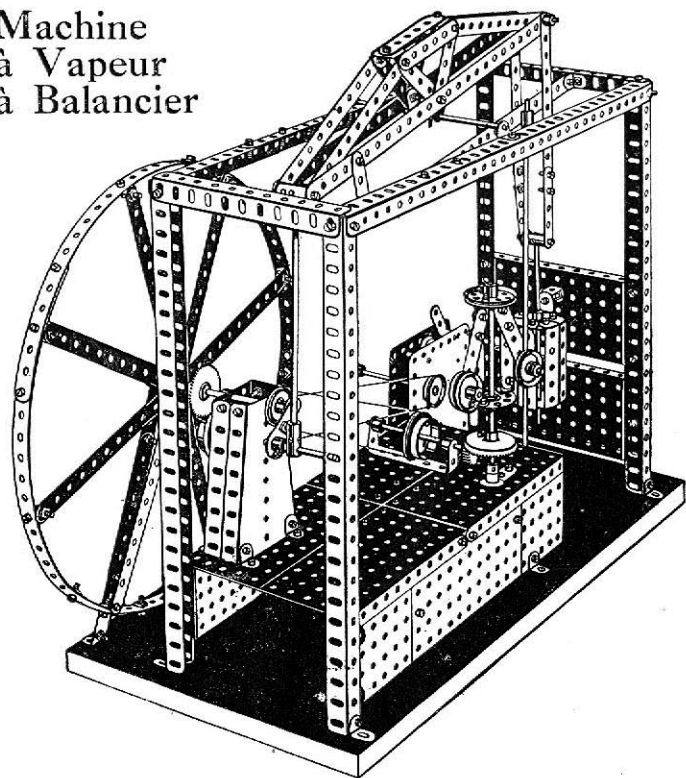
# Rolling Lift Bridge Pont tournant et Basculant



10	No.	1	2	No.	13
46	"	2	3	"	14
16	"	3	1	"	17
7	"	4	8	"	20
8	"	5	6	"	23
2	"	6	2	"	26
18	"	8	2	"	27
9	"	9	203	"	37
6	"	10	1	"	52
4	"	11	5	"	59
16	"	12	4	"	99

# Beam Engine

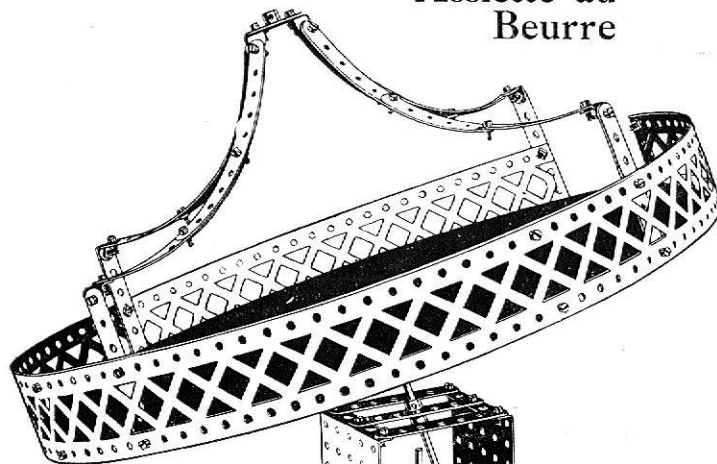
Machine  
à Vapeur  
à Balancier



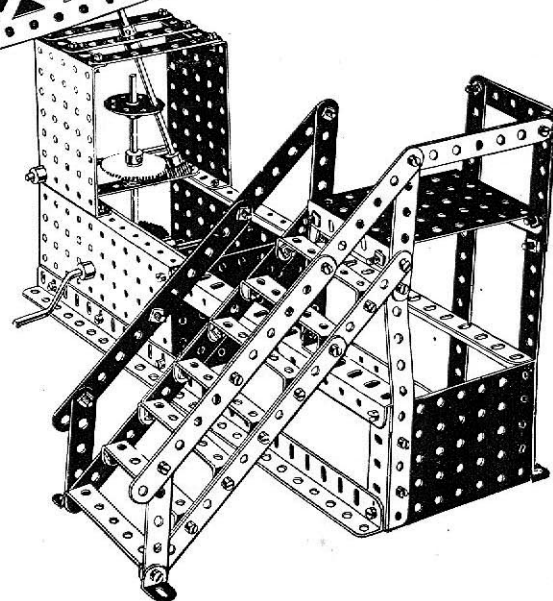
7 No.	1	27 No.	12	2 No.	21	1 No.	50
18 "	2	1 "	13	5 "	22	7 "	52
3 "	4	1 "	13A	2 "	23	4 "	53
10 "	5	1 "	14	4 "	24	2 "	54
1 "	6	3 "	15	2 "	26	7 "	59
8 "	8	1 "	16	1 "	27	6 "	60
4 "	9	2 "	17	1 "	28	3 "	62
6 "	10	2 "	18	149 "	37	5 "	63
4 "	11	2 "	20	1 "	46		

# Joy Wheel

Assiette au  
Beurre



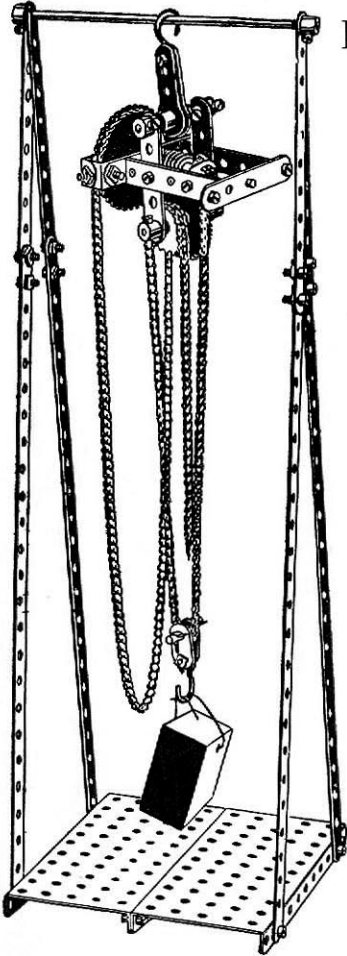
4 No.	1
23 "	2
15 "	3
4 "	4
3 "	5
1 "	6
4 "	8
10 "	12
1 "	14
1 "	15
1 "	15A
1 "	19
3 "	24
1 "	26
2 "	27
1 "	32
121 "	37
2 "	52
6 "	53
8 "	59
7 "	60
4 "	99



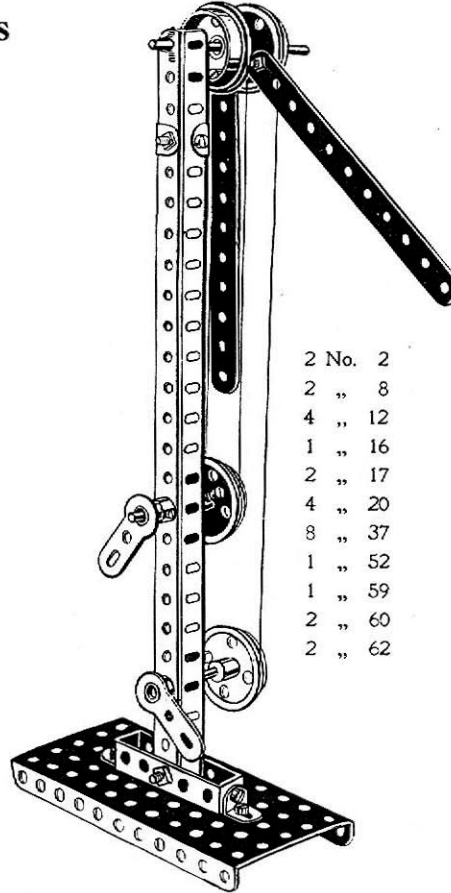
Purchase  
Block

Palan à Poulies  
Mouflées

- 4 No. 1
- 4 " 2
- 3 " 5
- 2 " 10
- 1 " 12
- 1 " 15
- 1 " 16
- 2 " 17
- 1 " 18
- 1 " 27<sub>A</sub>
- 1 " 32
- 2 " 35
- 23 " 37
- 2 " 52
- 2 " 57
- 7 " 59
- 4 " 60
- 2 " 62
- 4' " 94
- 1 " 95
- 1 " 96



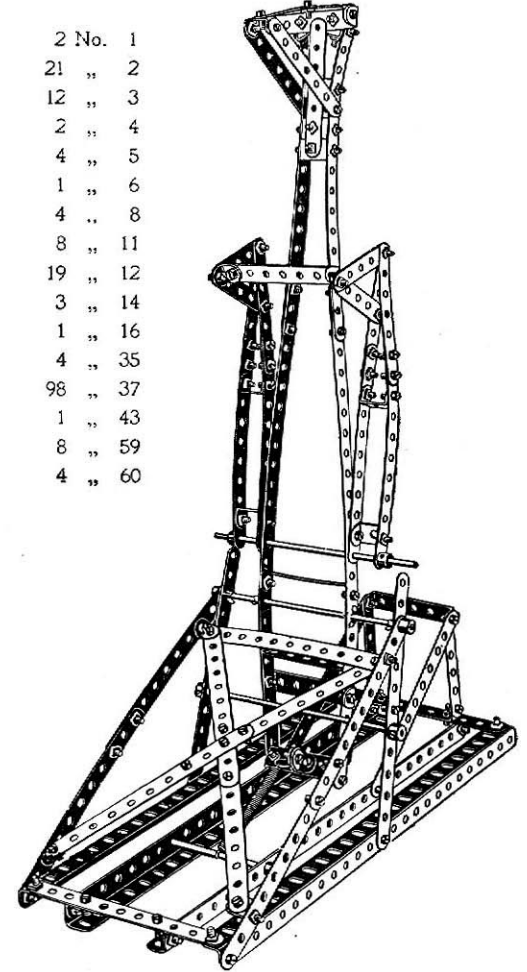
Semaphore  
Sémaphore



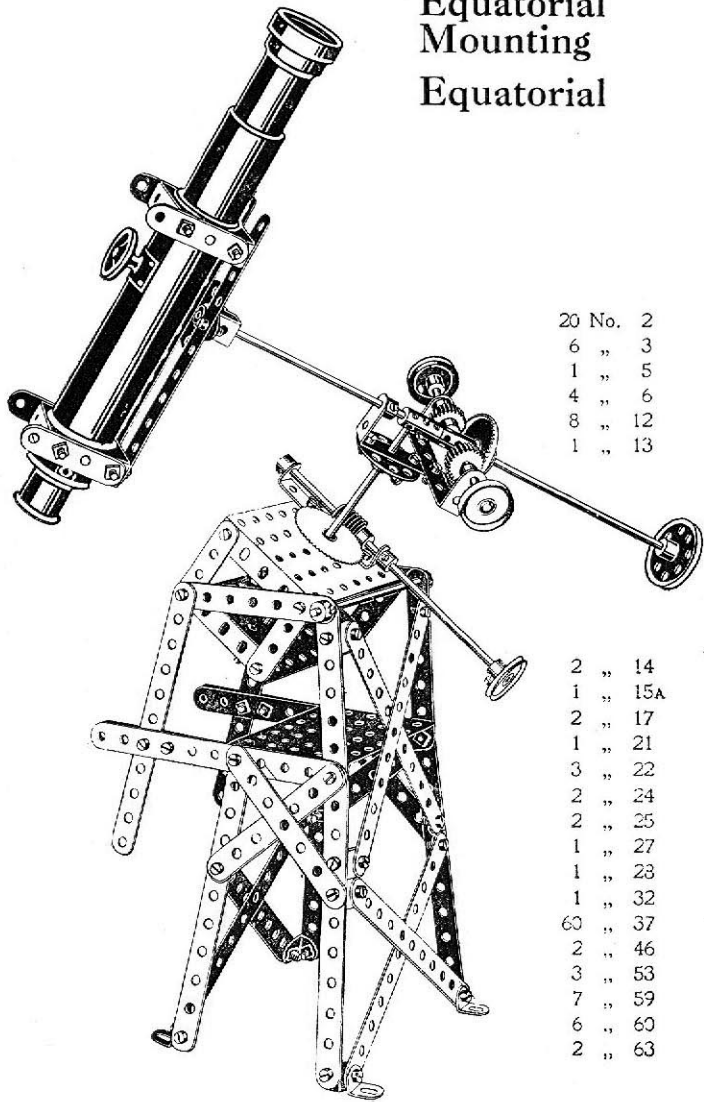
- 2 No. 2
- 2 " 8
- 4 " 12
- 1 " 16
- 2 " 17
- 4 " 20
- 8 " 37
- 1 " 52
- 1 " 59
- 2 " 60
- 2 " 62

Catapult  
Catapulte

- 2 No. 1
- 21 " 2
- 12 " 3
- 2 " 4
- 4 " 5
- 1 " 6
- 4 " 8
- 8 " 11
- 19 " 12
- 3 " 14
- 1 " 16
- 4 " 35
- 98 " 37
- 1 " 43
- 8 " 59
- 4 " 60



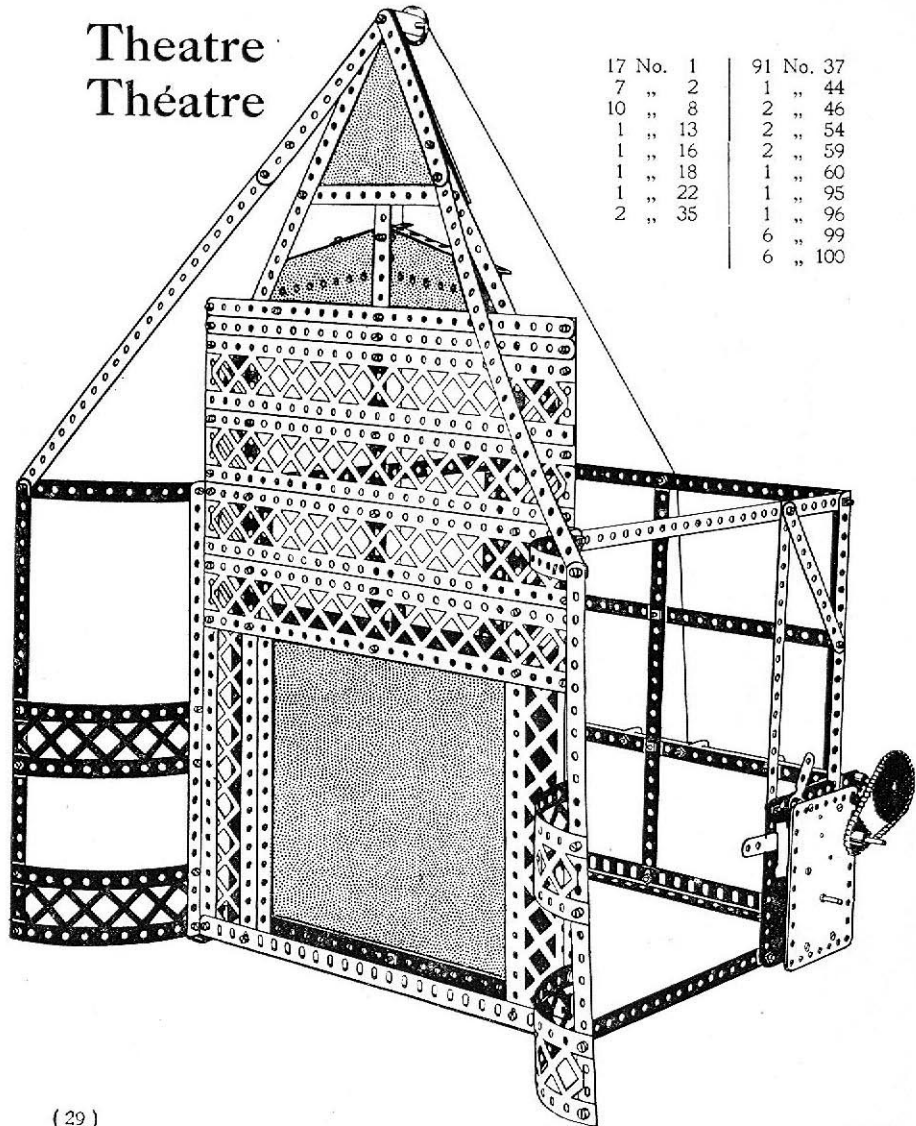
# Equatorial Mounting Equatorial



20	No.	2
6	"	3
1	"	5
4	"	6
8	"	12
1	"	13

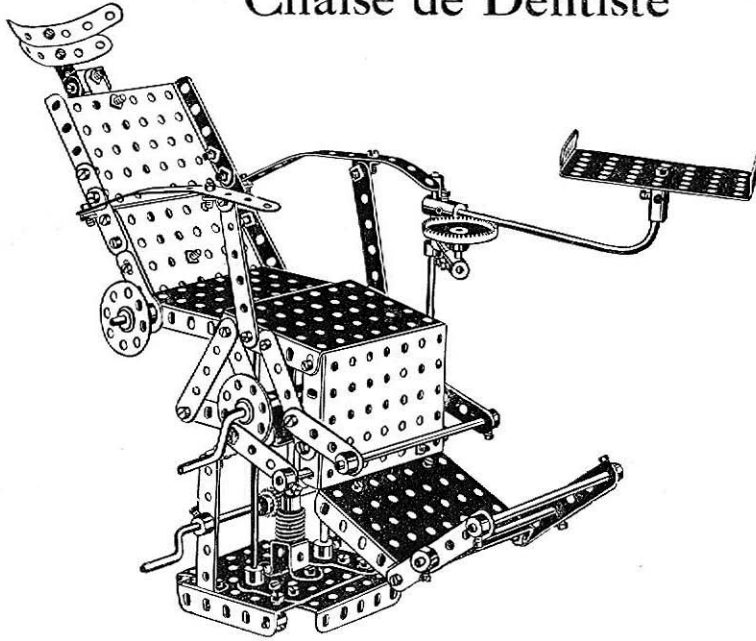
2	"	14
1	"	15A
2	"	17
1	"	21
3	"	22
2	"	24
2	"	25
1	"	27
1	"	28
1	"	32
60	"	37
2	"	46
3	"	53
7	"	59
6	"	60
2	"	63

# Theatre Théâtre



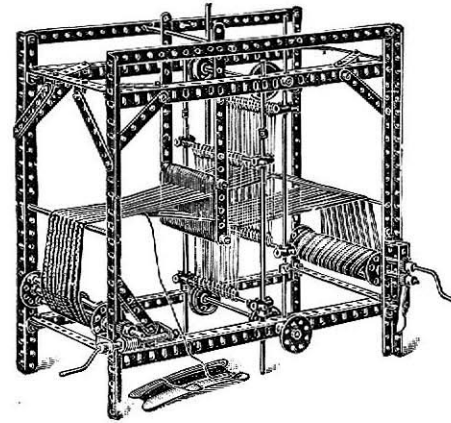
17	No.	1	91	No.	37
7	"	2	1	"	44
10	"	8	2	"	46
1	"	13	2	"	54
1	"	16	2	"	59
1	"	18	1	"	60
1	"	22	1	"	95
2	"	35	1	"	96
			6	"	99
			6	"	100

# Dental Chair Chaise de Dentiste



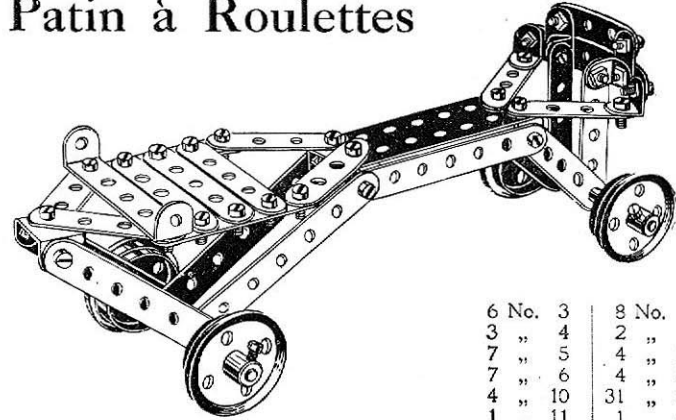
3 No. 2	1 No. 14	63 No. 37
2 " 3	3 " 15	1 " 45
4 " 4	5 " 15A	2 " 50
7 " 5	1 " 16	10 " 53
6 " 6	2 " 19	17 " 59
2 " 11	2 " 24	2 " 60
6 " 12	1 " 26	3 " 62
1 " 13A	1 " 28	4 " 63
	1 " 32	

# Loom—Métier à Tisser



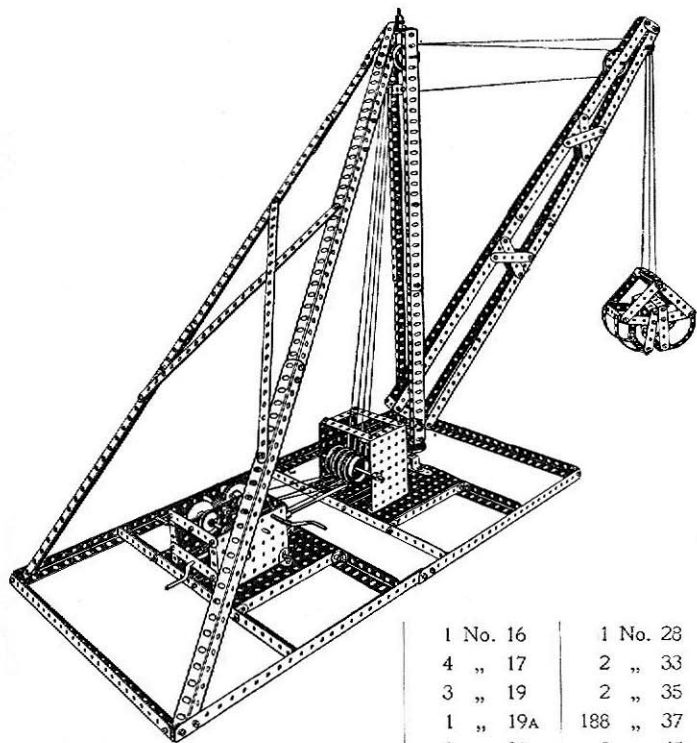
2 No. 1	2 No. 19
4 " 2	4 " 20
2 " 3	4 " 22
13 " 4	5 " 24
48 " 5	3 " 26
8 " 8	1 " 32
2 " 9	1 " 33
1 " 10	16 " 35
3 " 12	64 " 37
4 " 13	2 " 46
2 " 13A	2 " 52
8 " 14	12 " 59
4 " 15	8 " 63
2 " 15A	

# Roller Skate Patin à Roulettes



6 No. 3	8 No. 12
3 " 4	2 " 16
7 " 5	4 " 20
7 " 6	4 " 35
4 " 10	31 " 37
1 " 11	1 " 60

# Steam Shovel Pelle à Vapeur



10	No.	1
12	"	3
4	"	4
16	"	5
4	"	6

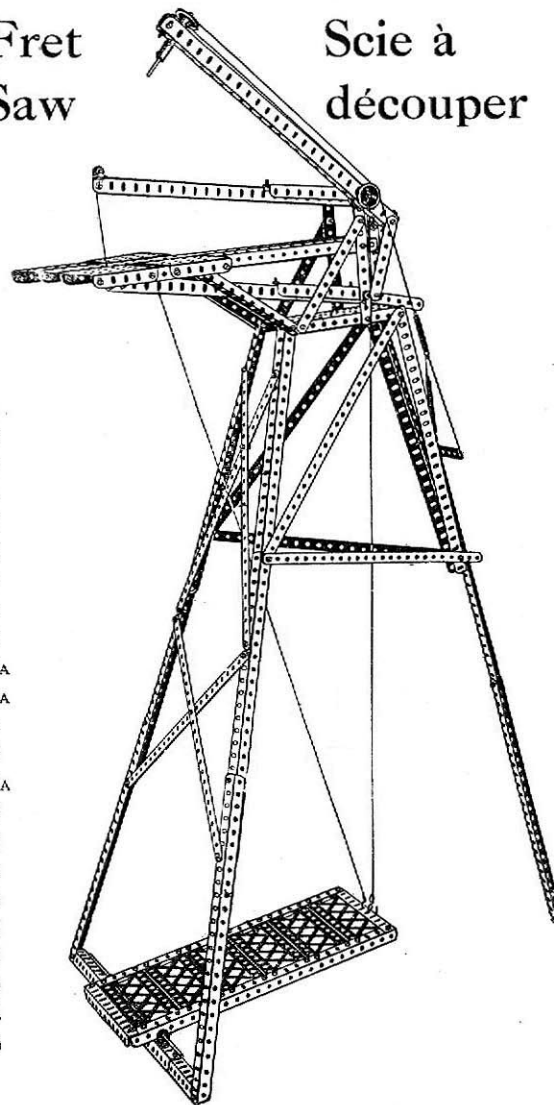
18	No.	8
2	"	9
3	"	10
2	"	11
28	"	12
1	"	13

1	No.	16
4	"	17
3	"	19
1	"	19A
8	"	20
1	"	21
2	"	22
3	"	22A
2	"	24
4	"	26
2	"	27

1	No.	28
2	"	33
2	"	35
188	"	37
2	"	45
3	"	46
4	"	52
4	"	53
11	"	59
6	"	60
1	"	63

# Fret Saw

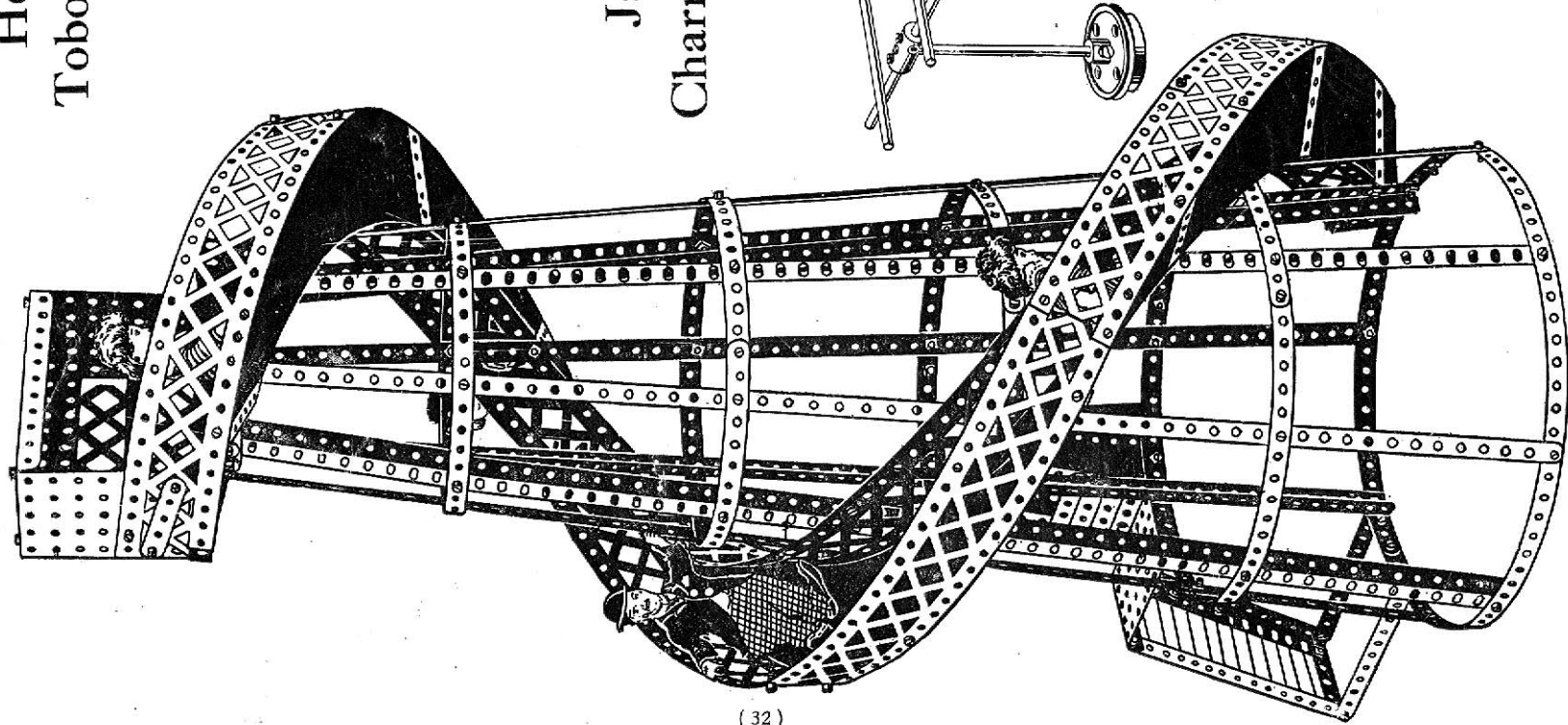
# Scie à découper



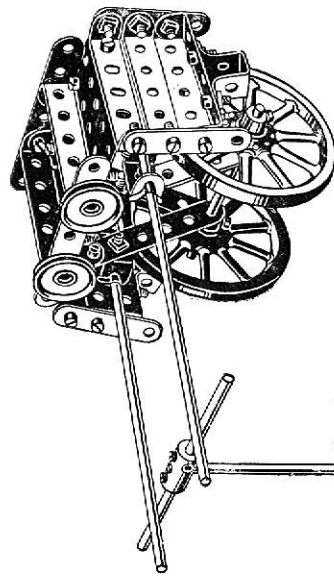
8	No.	1
6	"	2
3	"	3
1	"	4
1	"	5
20	"	8
4	"	9
2	"	10
3	"	12
1	"	13A
2	"	15A
1	"	16
1	"	22
2	"	22A
98	"	37
2	"	43
2	"	52
4	"	53
2	"	54
2	"	57
4	"	59
1	"	63
6	"	100

# Helter Skelter Toboggan Colimaçon

21 No.	1
7 "	2
15 "	5
8 "	8
6 "	9
2 "	10
4 "	12
157 "	37
2 "	52
4 "	53
2 "	54
9 "	60
10 "	99
2 "	100



# Jaunting Car Charrette Irlandaise



1 No.	20
2 "	22
4 "	35
40 "	37
2 "	45
1 "	53
4 "	59
8 "	60
1 "	63

---

2 No.	3
4 "	4
4 "	6
14 "	12
2 "	13A
1 "	15
1 "	16
2 "	17
2 "	19A