

MECCANO®

EVOLUTION

GB Meccano Evolution range starts with Set 1 and progresses to Set 6. With Evolution Set 4, you can build 50 models in total, including those from Set 1, 2 and 3, and more with your imagination.

F Meccano Evolution commence avec Evolution 1 et progresse jusqu'à Evolution 6. Avec Evolution 4, tu peux construire tous les modèles des boîtes Evolution 1, 2, 3 et 4, soit 50 modèles proposés. Et tous ceux que tu peux imaginer.

D Die Meccano Serie Evolution beginnt mit dem Bausatz Nr. 1 und geht bis zum Bausatz Nr. 6. Der Evolution Bausatz Nr. 4 enthält alle Bauanleitungen des Bausatzes Nr. 1, 2 und 3 und die neuen Bauanleitungen des Bausatzes Nr. 4. Sie können also insgesamt 50 verschiedene Modelle bauen-mit etwas Fantasie natürlich viele, viele mehr.

I La linea Evolution parte dalla confezione Evolution 1 e arriva fino alla confezione Evolution 6. Con Evolution 4 puoi costruire 50 modelli diversi, inclusi quelli di Evolution 1, 2 e 3, più tutti quelli che ti suggerisce la tua fantasia.

S Meccano Evolution startar med Set 1 och fortsätter till Set 6. Med Evolution Set 4 kan Du bygga 50 modeller totalt, inklusive dem från Set 1, 2 or 3. Bara Din fantasi sätter gränser.

SF Meccano Evolution-sarja alkaa setistä 1 jatkuen settiin 6. Evolution-sarja 4: Ila voit rakentaa 50 mallia, mukaan lukien setti 1, 2 ja 3:n mallit, ja monta muuta mielikuvitusta käyttäen.

DK Meccano Evolution begynder med Evolution 1 og fortsætter op til Evolution 6. I Evolution 4 kan du bygge alle modellerne fra Evolution 1, 2, 3 og 4, dvs. 50 modeller ialt. Kun din fantasi sætter grænse for antallet.

E La serie Evolution de Meccano comienza con Evolution 1 y progresa hasta Evolution 6. Con el Evolution 4 podrás montar todos los modelos de los Evolution 1, 2, 3 y 4. Hasta un total de 50 modelos distintos más todo aquello que pueda inventar tu imaginación.

NL Meccano Evolution begint met Set 1 en eindigt met Set 6. Met Evolution 4 kan men in totaal 50 modellen bouwen, inclusief die van Set 1, 2 en 3 en met eigen fantasie nog meer!!

P Meccano Evolution começa com Evolution 1 e avança até Evolution 6. Com Evolution 4 podes construir todos os modelos das caixas Evolution 1, 2, 3 e 4. São 50 modelos propostos e tudo o que possas imaginar.

GR Η σειρά EVOLUTION της MECCANO αρχίζει με το Σετ 1 και προχωρεί μέχρι το Σετ 6. Με το Σετ 4 της σειράς EVOLUTION μπορείτε να κατασκευάσετε 50 μοντέλα συνολικά, συμπεριλαμβανομένων και αυτών του Σετ 1, 2 και 3. Επίσης μπορείτε να κατασκευάσετε πολύ περισσότερα χρησιμοποιώντας την φαντασία σας.

JPN Meccano Evolution には最も簡単な Evolution 1 から最も高度な Evolution 6 までの 6 種類があります。Evolution 4 では Evolution 1, 2, 3, 4 にある 50 のモデルのほか、アイデア次第で色々なモデルが作れます。

6
5
4
3
2
1

4

GB : Many of the models and component parts are unique and original designs which are the property of MECCANO S.A. They are protected by national legislation as industrial designs, trademarks and/or copyrights throughout many countries. For detailed information please contact MECCANO S.A. MECCANO takes no responsibility where instructions have not been followed, where pieces have been put to uses other than those in the instructions, or have been modified for another use.

F : De nombreux modèles et pièces sont des créations originales, propriétés de MECCANO S.A. et sont protégés par les législations nationales sur les dessins et modèles, marques ou droits d'auteurs. Pour toute information, merci de contacter MECCANO S.A. MECCANO se dégage de toutes responsabilités en cas de non-respect des indications de montage, utilisation des pièces pour un autre usage que celui indiqué dans les notices et/ou modification des pièces.

D : Zahlreiche Modelle und Teile sind Erfindungen und Eigentum der Firma MECCANO S.A. Sie sind durch diese Gesetze über Zeichnungen und Modelle sowie Warenzeichen und/oder Urheberrechte geschützt. Für zusätzliche Auskünfte wenden Sie sich bitte an MECCANO S.A. MECCANO kann keine Haftung übernehmen, wenn die Anleitungen nicht befolgt oder wenn Teile anders als in den Anleitungen vorgesehen eingesetzt oder abgeändert werden.

I : Numerosi modelli e pezzi sono creazioni originali, proprietà della MECCANO S.A. e sono protetti dalle legislazioni nazionali sui disegni e modelli, marchi e diritti d'autore. Per qualsiasi informazione, vogliate prendere contatto con MECCANO S.A. MECCANO non si assume alcuna responsabilità qualora le istruzioni non vengono seguite, le parti componenti vengono impiegate in modo diverso da quanto illustrato o siano state modificate per usi differenti dal montaggio dei modelli MECCANO.

S : Många modeller och delar bildar en unik och originell formgivning, vilken är MECCANO S.A:s egendom. Dessa modeller och delar är skyddade genom lagstiftning såsom industriell formgivning, varumärke och/eller upphovsrättligt i ett flertal länder. För mer detaljerad information, var vänlig och kontakta MECCANO S.A. MECCANO kan ej ta ansvar för något då instruktionerna ej har följts, då delar har använts till annat än vad instruktionerna anvisat eller att delarna har blivit modifierade till annan användning.

SF : Vore många modeller og dele er originale fremstillinger og ejes af MECCANO S.A. Tegninger, modeller, fabrikationsmærker og ophavsret er lovbeskyttede i hvert land. Yderligere oplysninger kan fås hos MECCANO S.A. MECCANO er ellers vastuuta, jos osia on käytetty muuhun kuin ohjeiden suosittelemiin käyttötarkoituksiin tai jos osia on itse muutettu.

DK : Uæet mllit ja osat oval MECCANO S.A. n omisuuata olevaa suunnittelua. Uæet mallit osat oval lailla suojattua teollista tuotetta, tavaramerkkej jll kopiointioikeuksia useissa maissa. Tuotemerkki MECCANO on MECCANO S.A. n omisuuata oleva rekisterilly tavaramerkki, jonka kyttö ilman lupaa on kielletty. Listietoja varten, ottakaa yhteytt MECCANO S.A. MECCANO fratager sig ald ansvar, hvis materialet bliver brugt til andet end det bregnede, nr anvisningerne og forndringerne af delene ikke overholdes.

E : Numerosos modelos y piezas son creaciones originales, propiedades de MECCANO S.A. y son protegidos por las legislaciones nacionales en lo que concierne a los dibujos y modelos, marcas y/o derechos de autor. Para cualquier informacin, srvase ponerse en contacto con MECCANO S.A. MECCANO no se responsabilizar en aquellos casos en que no se hayan seguido las instrucciones, las piezas se hayan usado con distinto fin al indicado en las instrucciones, o bien se hayan modificado para otros usos.

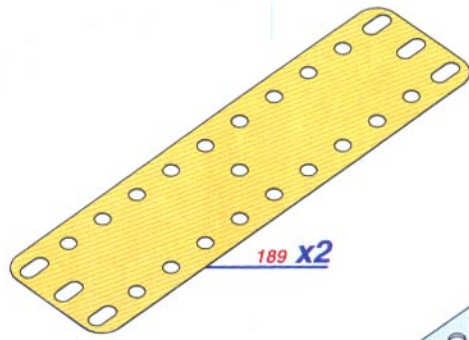
NL : Veel modellen en onderdelen zijn een uniek en origineel ontwerp, hetgeen eigendom van MECCANO S.A. is. Deze modellen genieten bescherming ala industrieel ontwerp, handelsmerk en/of copyright in talloze landen. Voor uitgebreide informatie, s.v.p. contact opnemen met MECCANO S.A. MECCANO is niet verantwoordelijk voor het niet opvolgen van de instructies, voor verkeerd gebruik van de onderdelen of het gebruiken van onderdelen voor andere doeleinden.

P : Numerosos modelos e peas so criaes originais, propriedades de MECCANO S.A. e so protegidos pelas legislaes nacionais segundo os desenhos, os modelos, as marcas e/ou os direitos autorais. Para qualquer informaes, queira contactar MECCANO S.A. MECCANO no assumira nenhuma responsabilidade sempre que as instrues no tenham sido seguidas, as peas tenham sido utilizadas para fins que no os contidos nas nossas instrues, ou tenham sido modificadas para outras utilizaes.

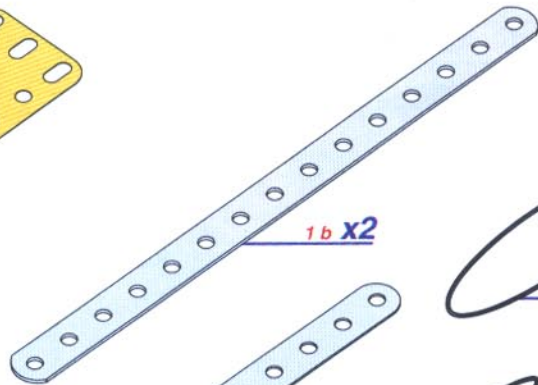
GB : Many of the models and component parts are unique and original designs which are the property of MECCANO S.A. They are protected by national legislation as industrial designs, trademarks and/or copyrights throughout many countries. For detailed information please contact MECCANO S.A. MECCANO takes no responsibility where instructions have not been followed, where pieces have been put to uses other than those in the instructions, or have been modified for another use.

JPN : 本製品の多くは、独自の設計、発明品であり、権利が認められており、多くの国で法的に保護されています。詳細な情報は、MECCANO S.A. にお問い合わせください。本製品は、指示通りに使用することを前提として提供されています。指示に従わずに使用したり、部品を改造したり、他の用途に使用したりすることは、MECCANO S.A. の責任を一切免れさせていただきます。

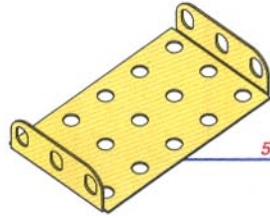
指示の順に従って組み立てることで、様々な模型を作ることができます。指示に従わずに使用したり、部品を改造したり、他の用途に使用したりすることは、MECCANO S.A. の責任を一切免れさせていただきます。



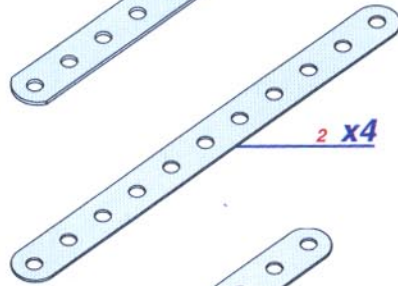
189 x2



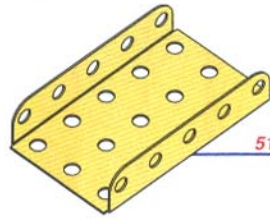
1b x2



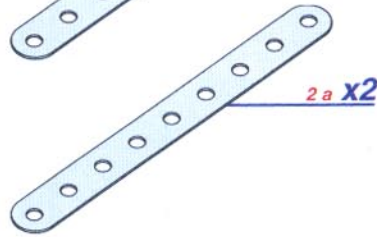
51 x1



2 x4



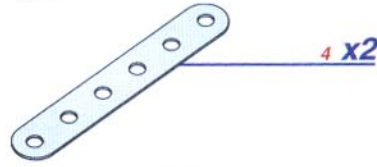
51f x1



2a x2



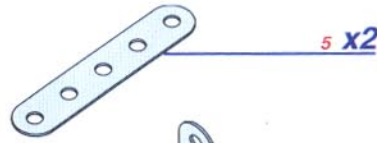
188 x2



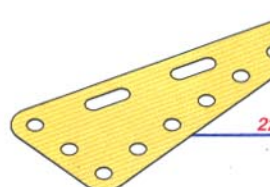
4 x2



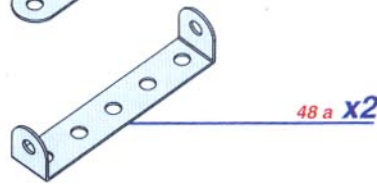
193 x2



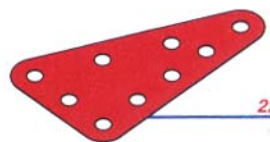
5 x2



224 x2



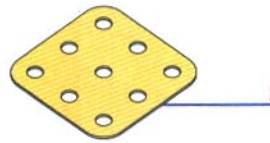
48a x2



221 x2



6 x2



74 x2



6a x2



133b x2



9f x2



48 x3



133c x2



186a x1



186 x1



111d x1



111e x3



111a x9



111c x3



147g x2



147d x6



37b x59



37a x88



38 x2



69a x6



38b x5



38a x10



59a x1

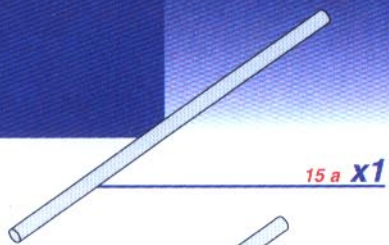


23c x7

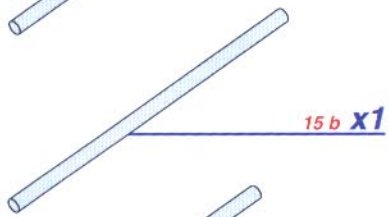


59 x2

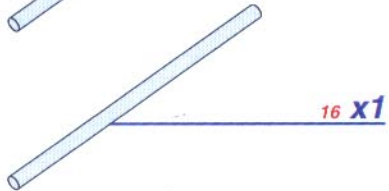




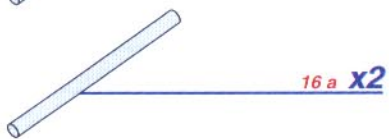
15 a x1



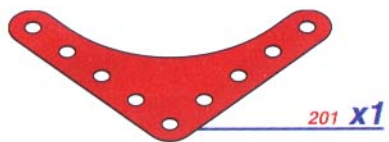
15 b x1



16 x1



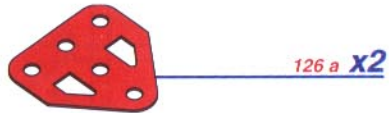
16 a x2



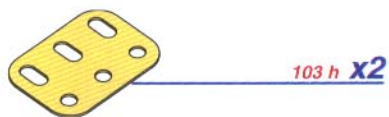
201 x1



126 x2



126 a x2



103 h x2



133 a x2



12 b x2



12 x6



12 c x4



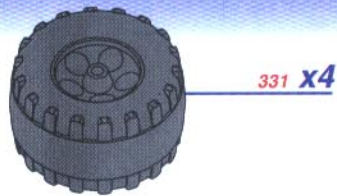
321 x1



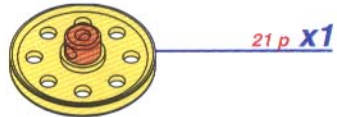
26 x1



26 n x1



331 x4



21 p x1



27 a x1



28 x1



22 cp x1



142 J x3



23 b x3



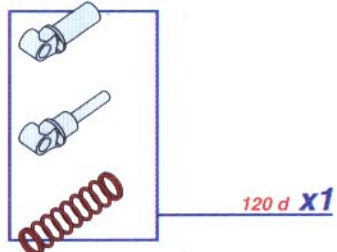
187 q x4



57 b x1



40 x1



120 d x1



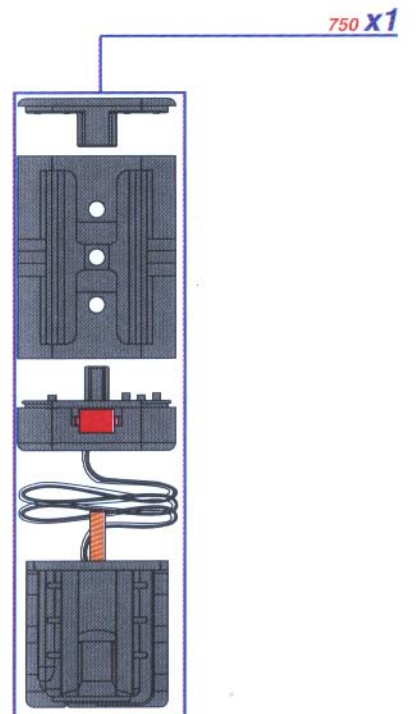
36 c x1



36 d x1



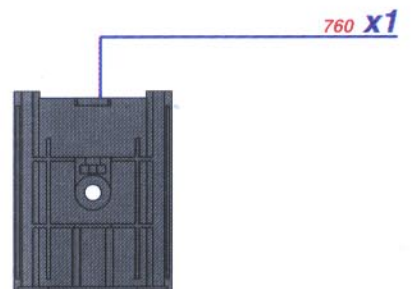
34 x1



750 x1



761 x1

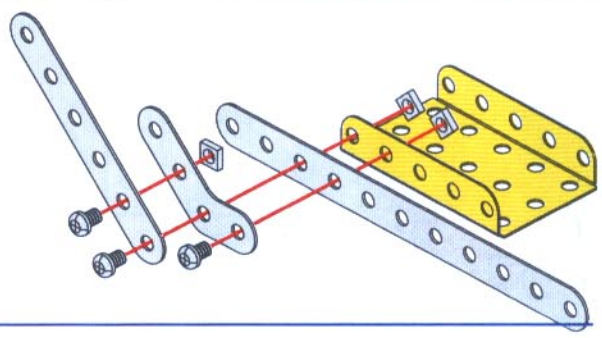


760 x1



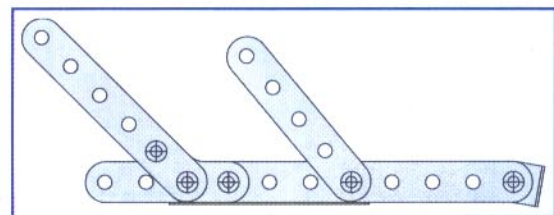
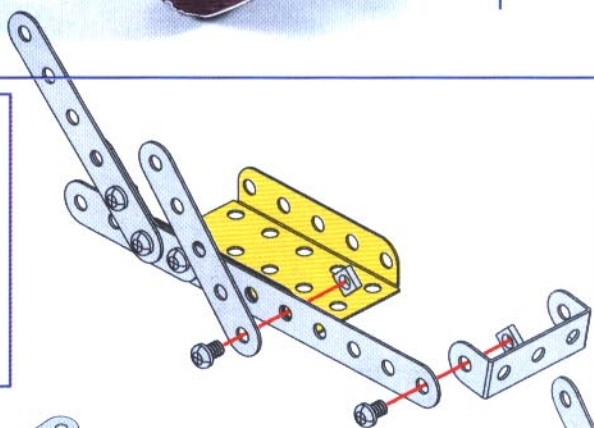
1

	x1		x1		x3
	x1		x1		x3
					5.8 mm 15/64"



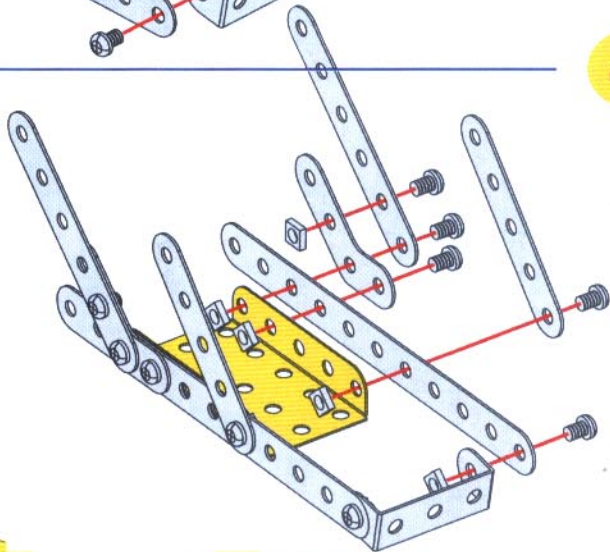
2 **1+**

	x1
	x1
	x2
	x2
5.8 mm 15/64"	



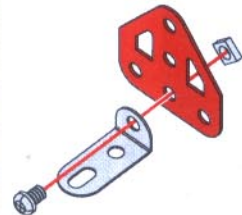
3 **2+**

	x1
	x1
	x1
	x5
	x5
5.8 mm 15/64"	



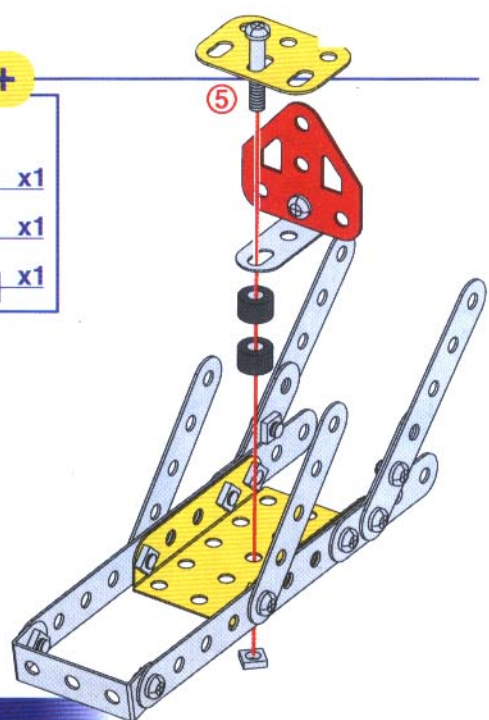
4

	x1
	x1
	x1
	x1
5.8 mm 15/64"	



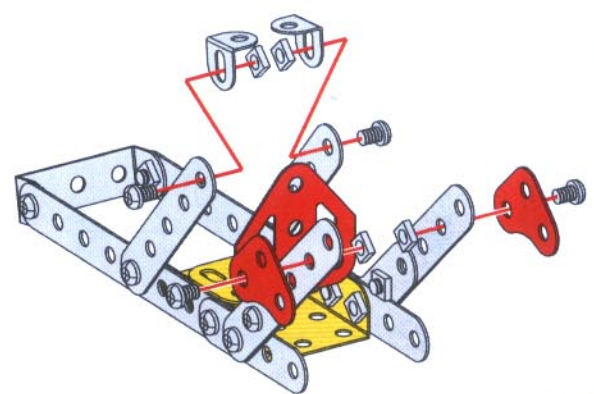
5 **3+** **4+**

	x1
	x2
	x1
	x1
	x1
23 mm 29/32"	

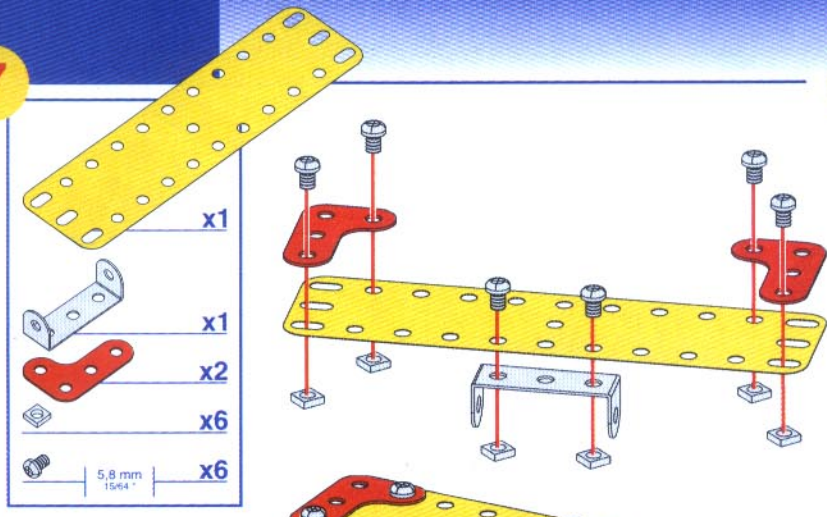


6 **5+**

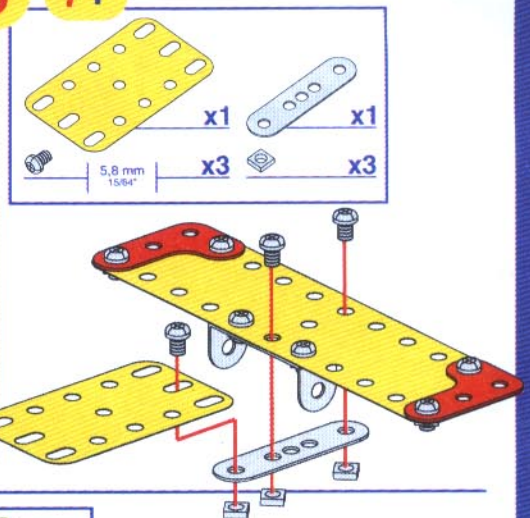
	x2
	x2
	x4
	x4
5.8 mm 15/64"	



7



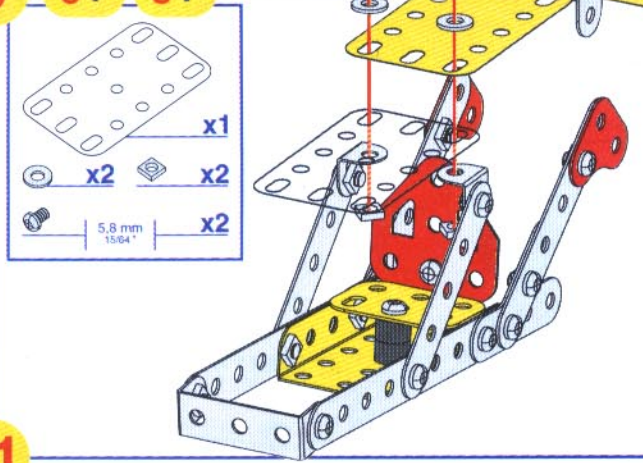
8 7+



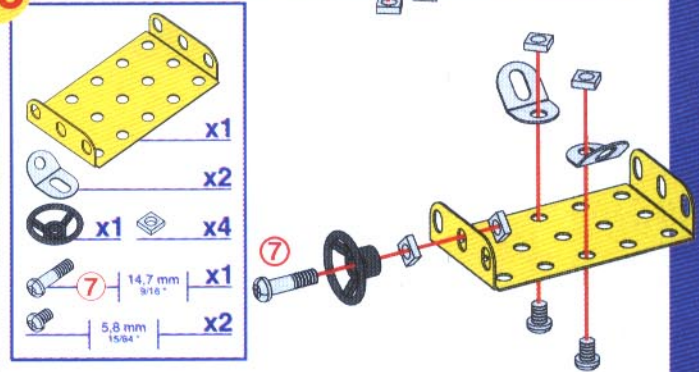
9

6+

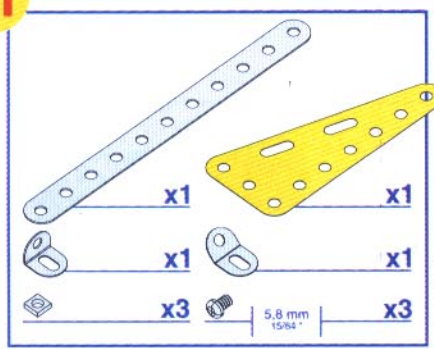
8+



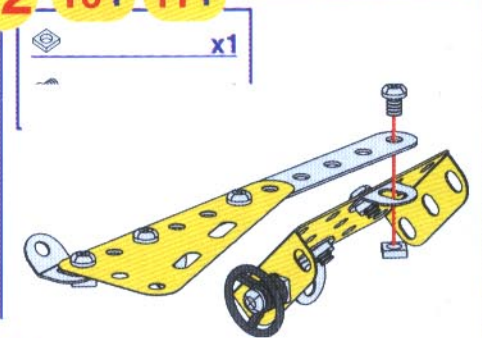
10



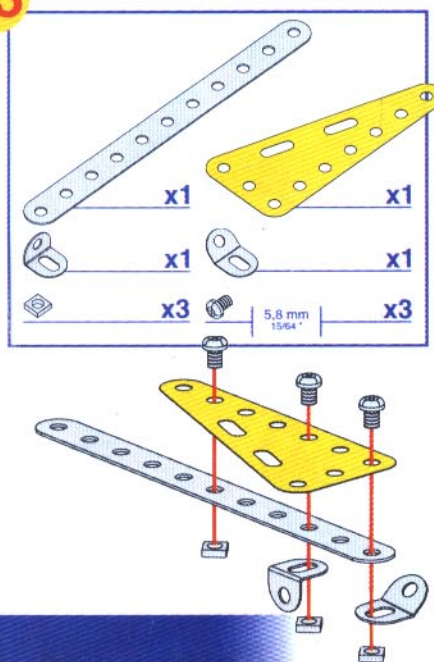
11



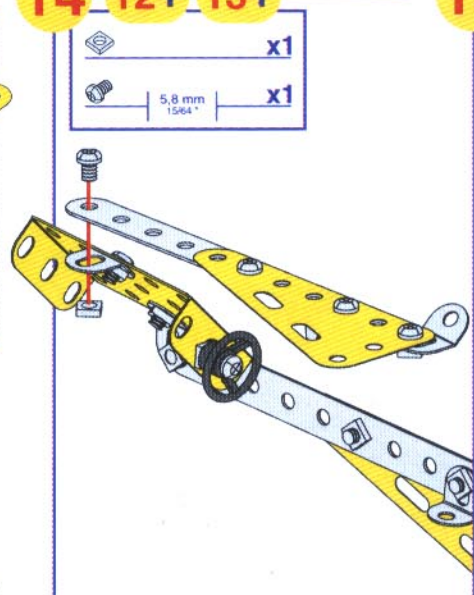
12 10+ 11+



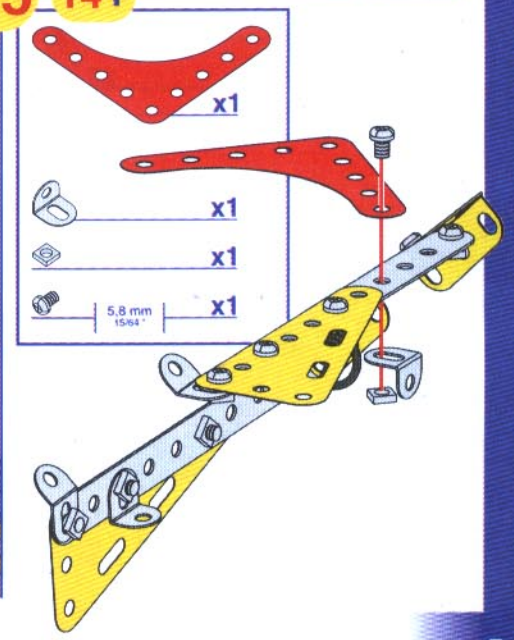
13



14 12+ 13+

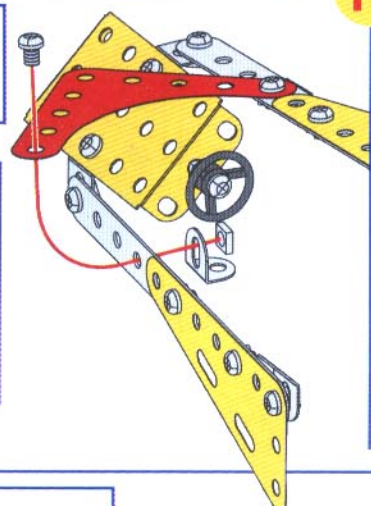
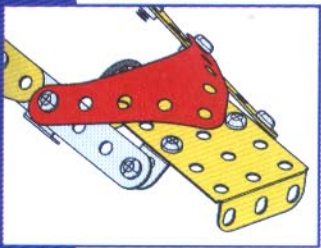


15 14+



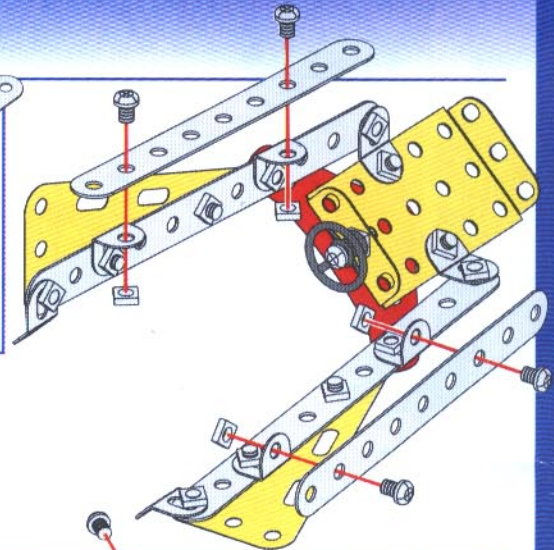
16 14+ 15+

- x1
- x1
- x1



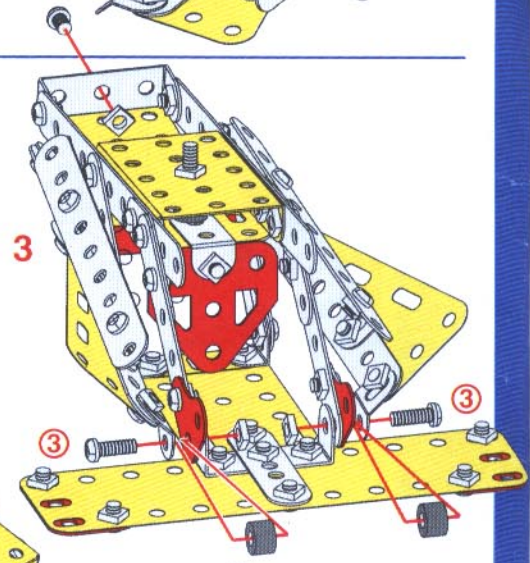
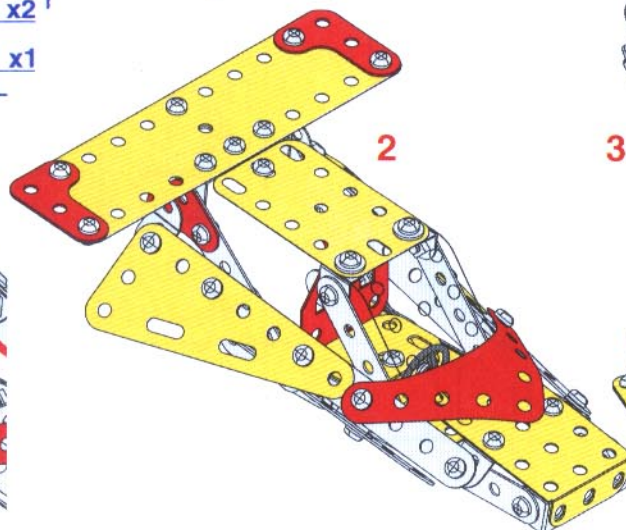
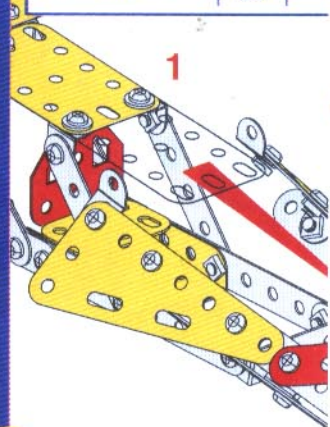
17 16+

- x2
- x4
- x4



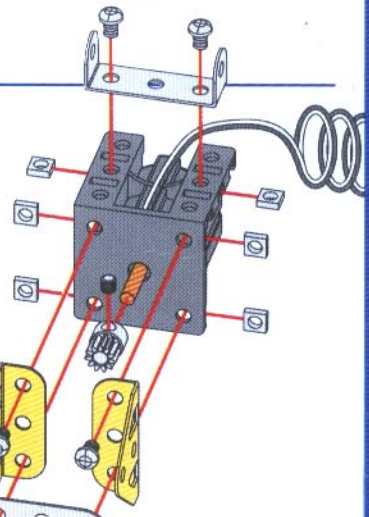
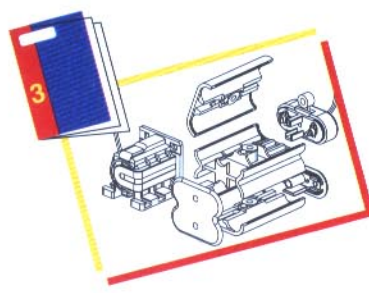
18 9+ 17+

- x2
- x2
- x3
- x1



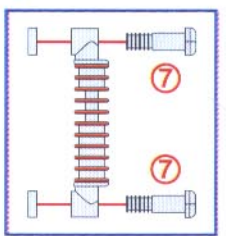
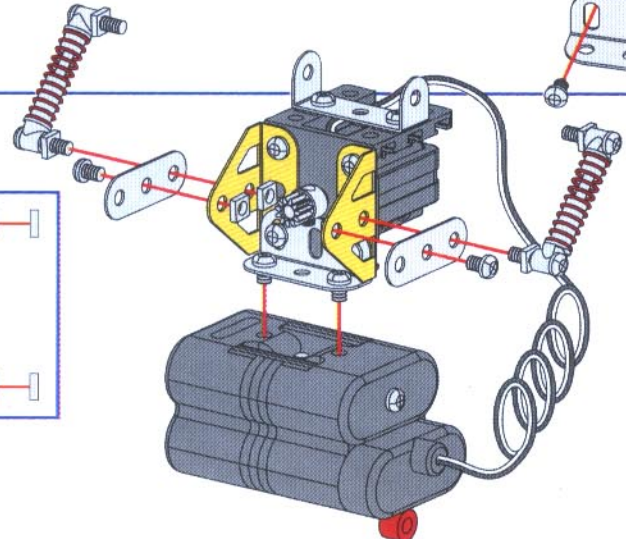
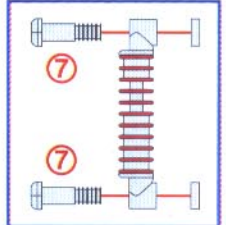
19

- x1
- x2
- x1
- x1
- x1
- x1
- x6
- x6



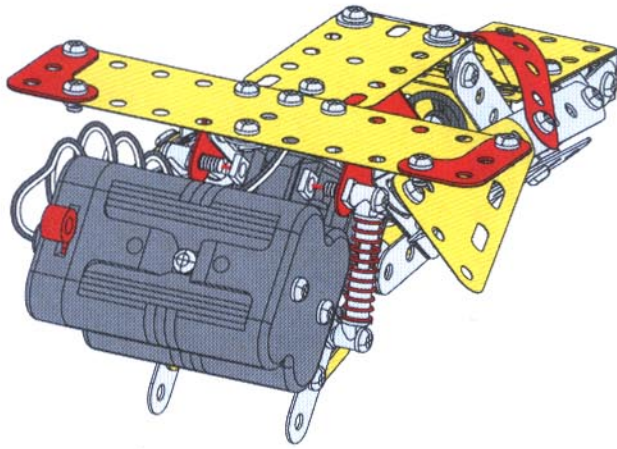
20 19+

- x2
- x2
- x8
- x4
- x4



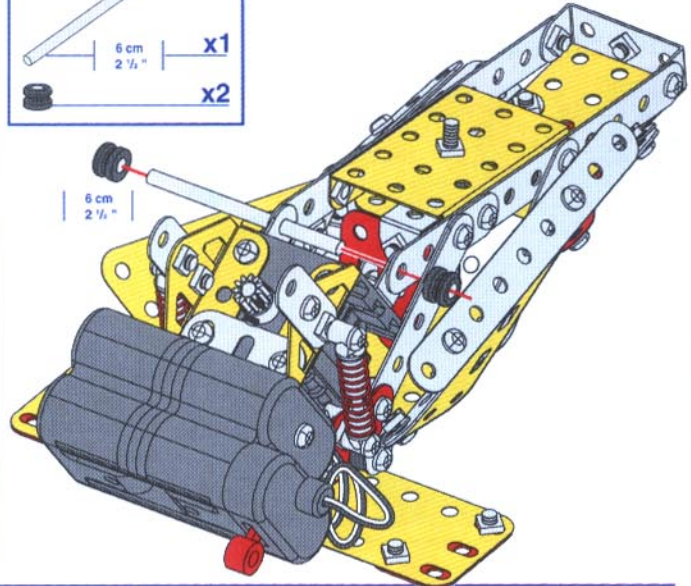
21 18+ 20+

 x2

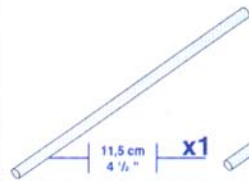
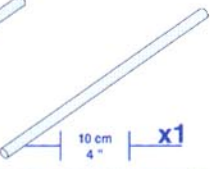










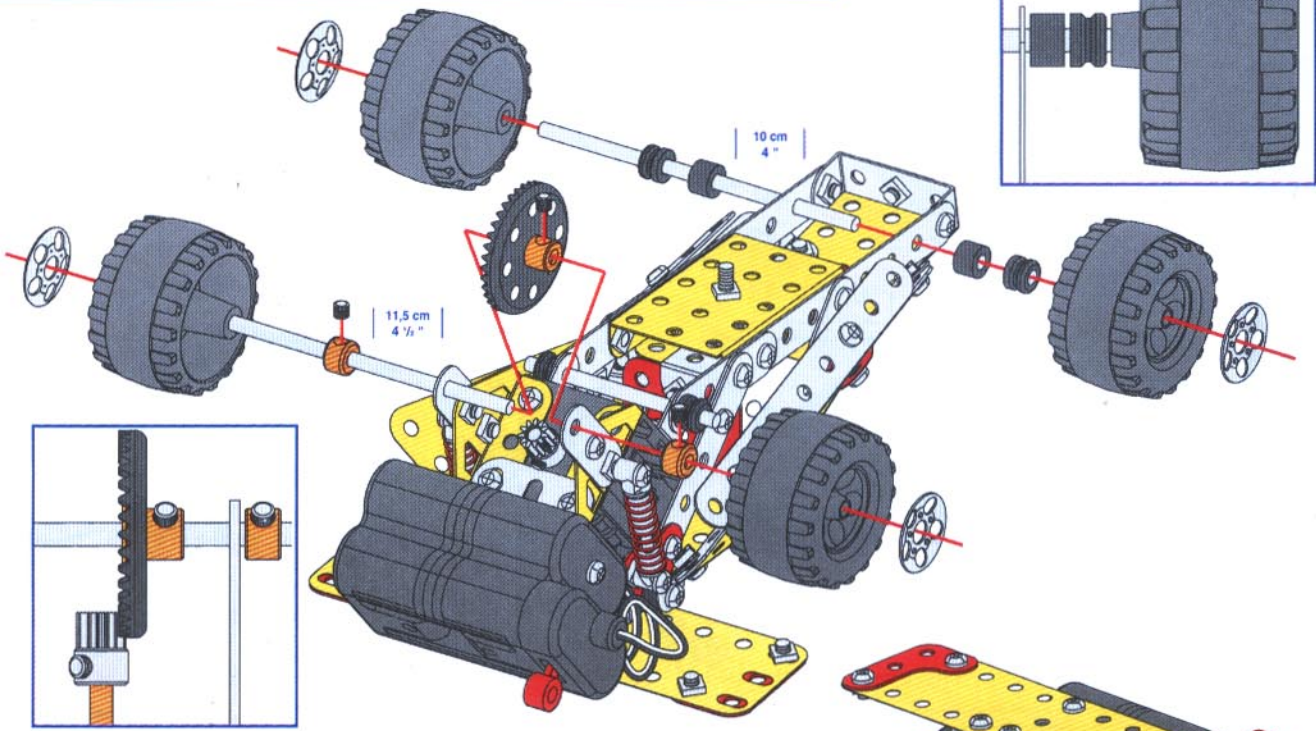
22 21+

 6 cm
2 1/8" x1
 x2

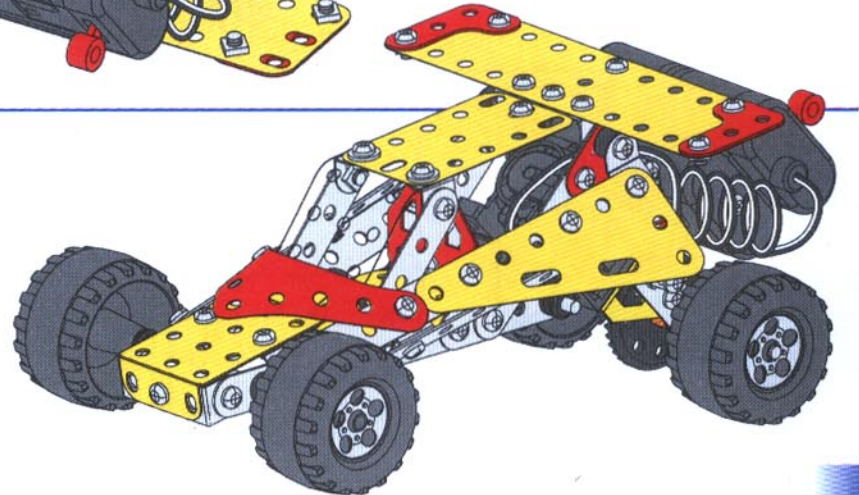


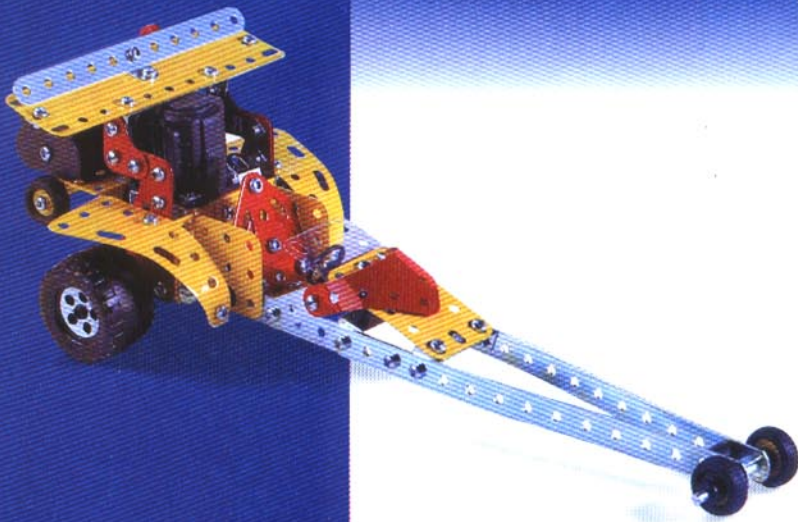
23 22+

 11,5 cm
4 1/2" x1  10 cm
4" x1  x4  x1
 x2  x2  x2
 x2  x3  x4



24





1

- Yellow 1x6 Technic Plate: x1
- White 1x6 Technic Plate: x1
- Grey Technic L-Bracket: x2
- Black Technic Pin: x2
- Black Technic Pin: x2
- Black Technic Bush: x4
- Grey Technic Pin (5.8 mm): x2
- Grey Technic Pin (14.7 mm): x2

2

- Black Technic Wheel: x1
- Grey Technic Pin: x1
- Black Technic Pin: x2
- Grey Technic Pin (14.7 mm): x1

3 1+ 2+

- Black Technic Pin: x1
- Black Technic Pin: x1
- Grey Technic Pin (12 mm): x1

4 3+

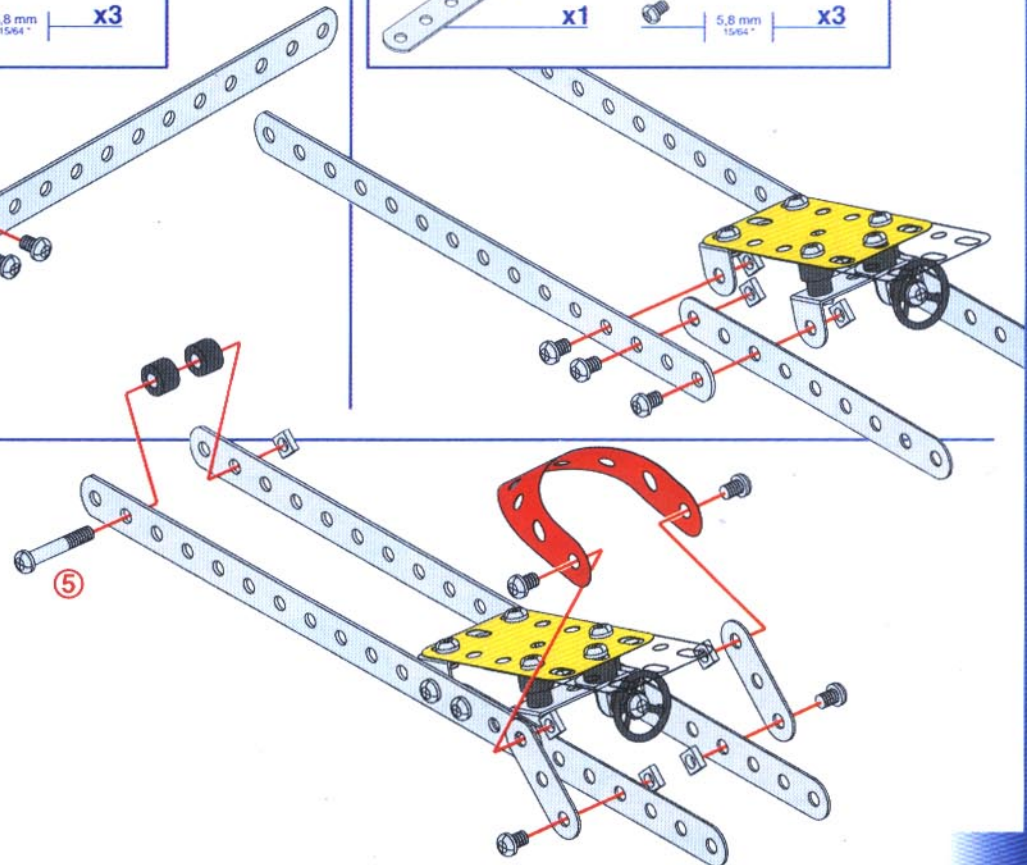
- Grey Technic Axle: x1
- Black Technic Pin: x3
- Grey Technic Pin (5.8 mm): x3

5 4+

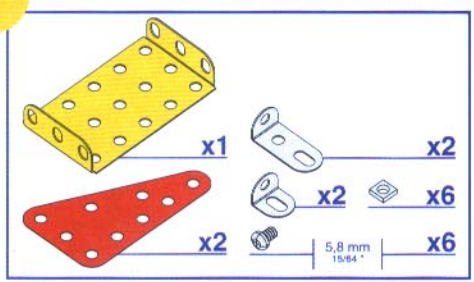
- Grey Technic Axle: x1
- Black Technic Pin: x3
- Grey Technic Pin (5.8 mm): x3

6 5+

- Red Technic Arch: x1
- Grey Technic Pin: x2
- Black Technic Pin: x2
- Black Technic Bush: x5
- Grey Technic Pin (23 mm): x1
- Grey Technic Pin (5.8 mm): x4



7



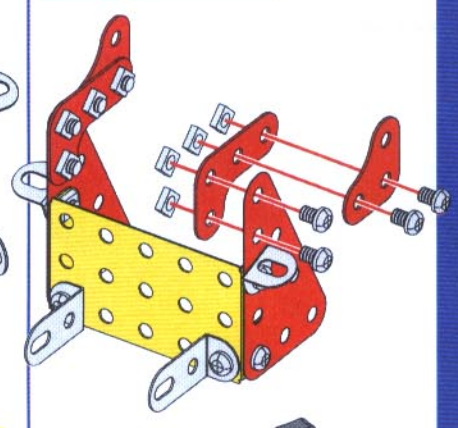
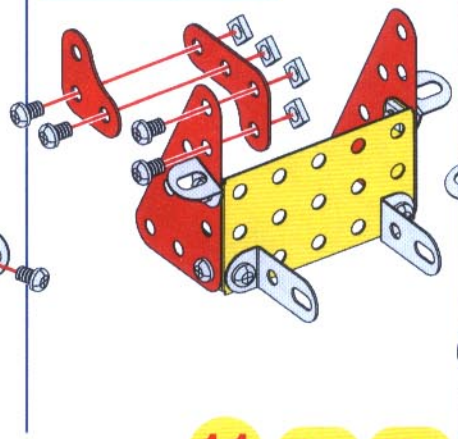
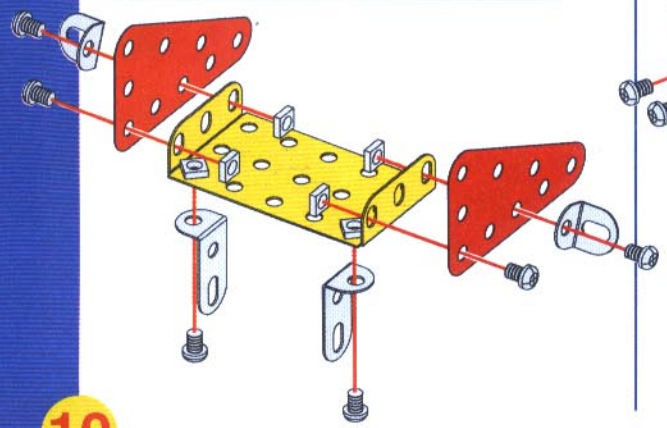
8

7+

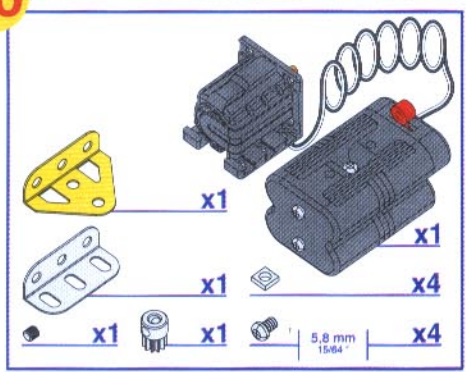


9

8+



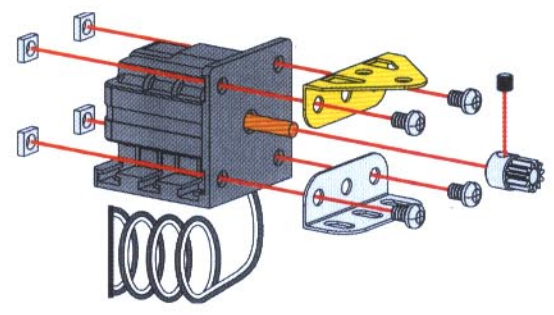
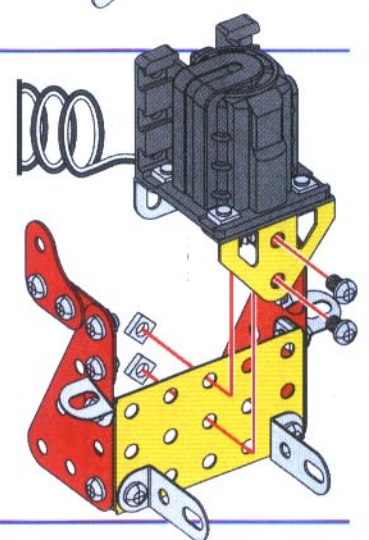
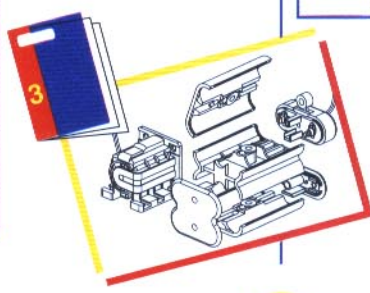
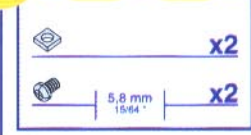
10



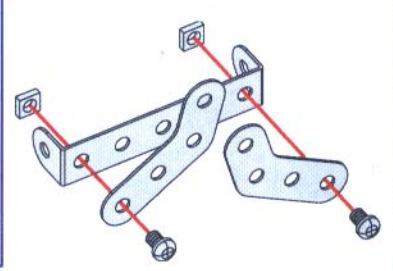
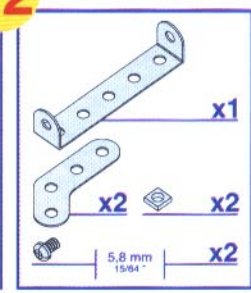
11

9+

10+



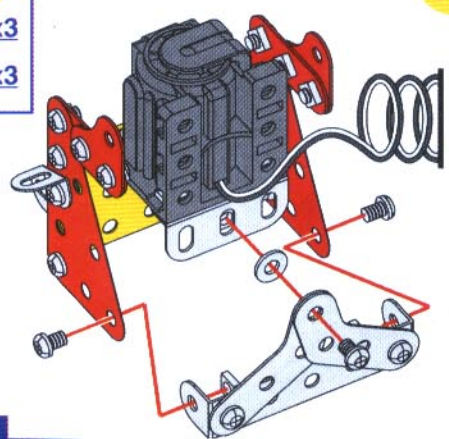
12



13

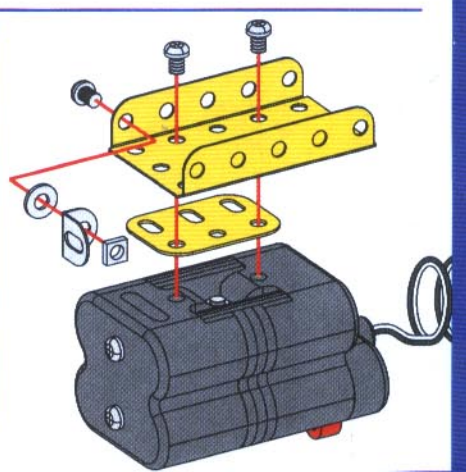
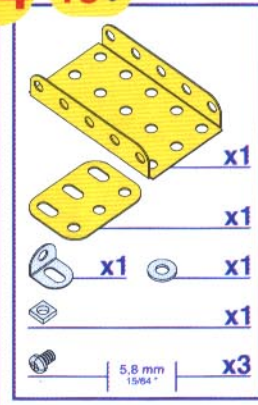
11+

10+



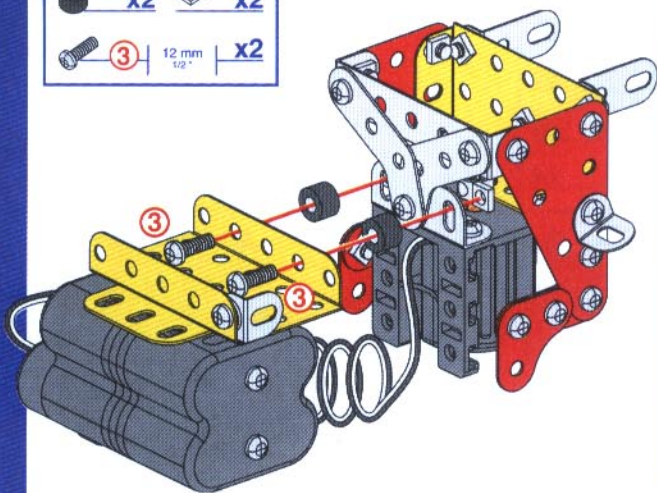
14

13+

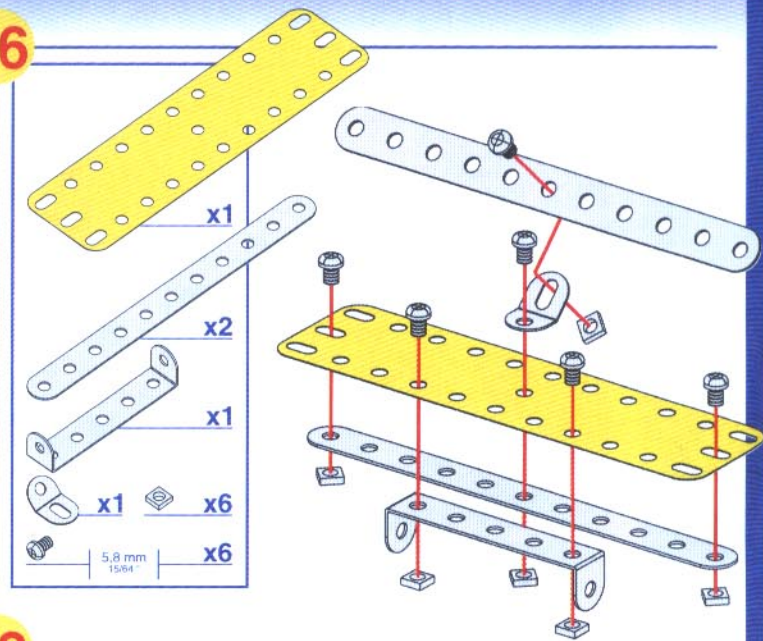


15 14+

	x2		x2
	12 mm		x2

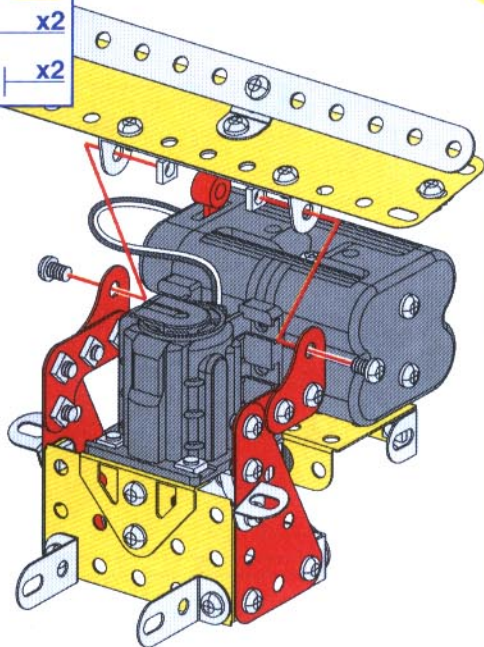


16



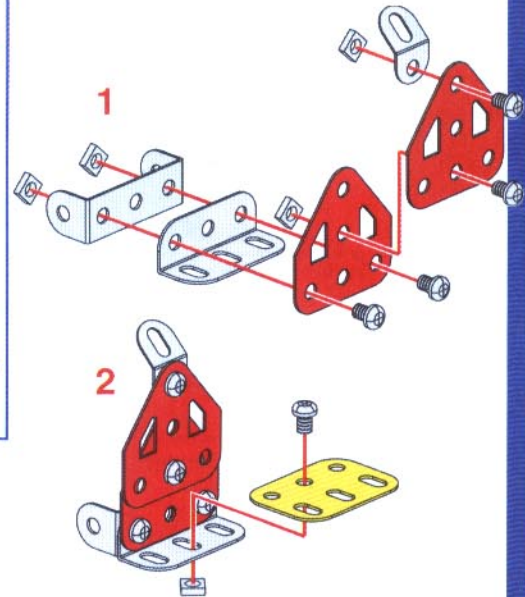
17 15+ 16+

	x2
	x2



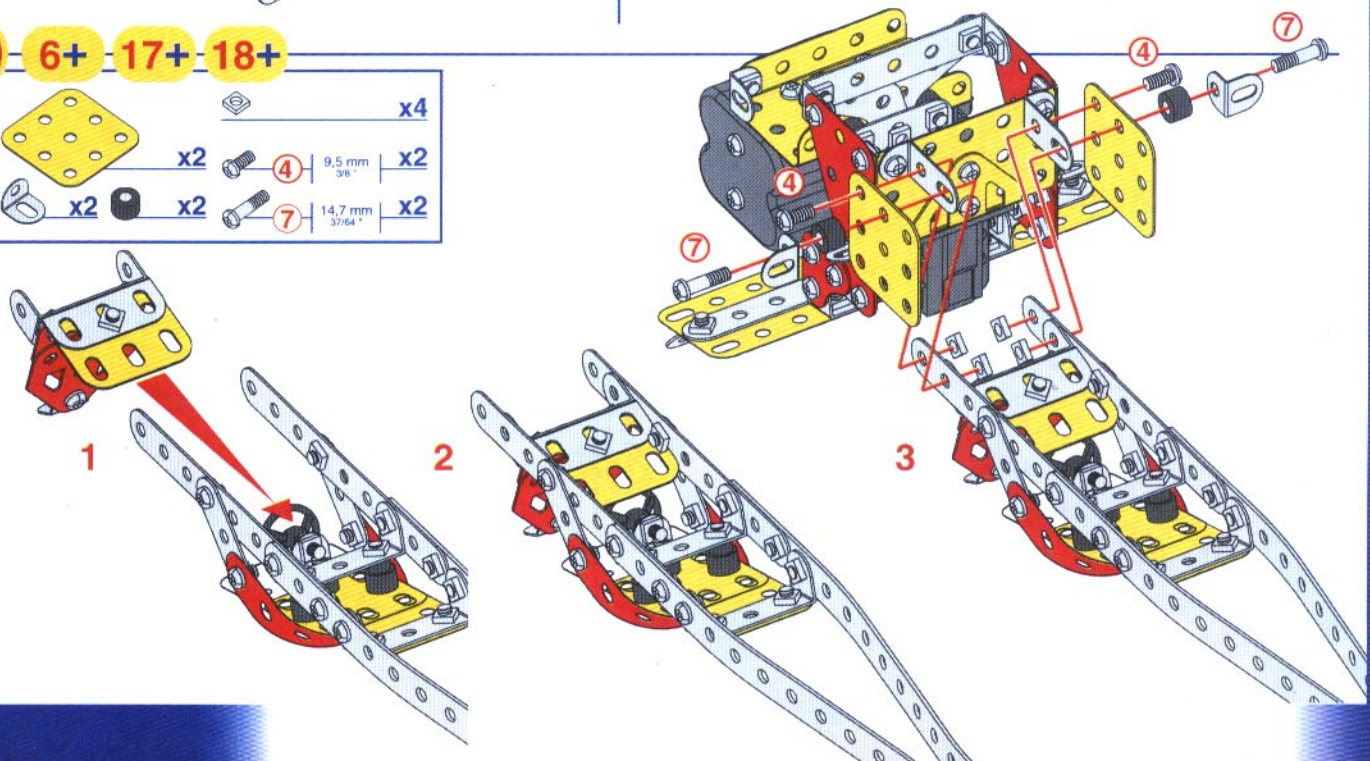
18

	x2
	x1
	x1
	x1
	x1
	x5
	x5



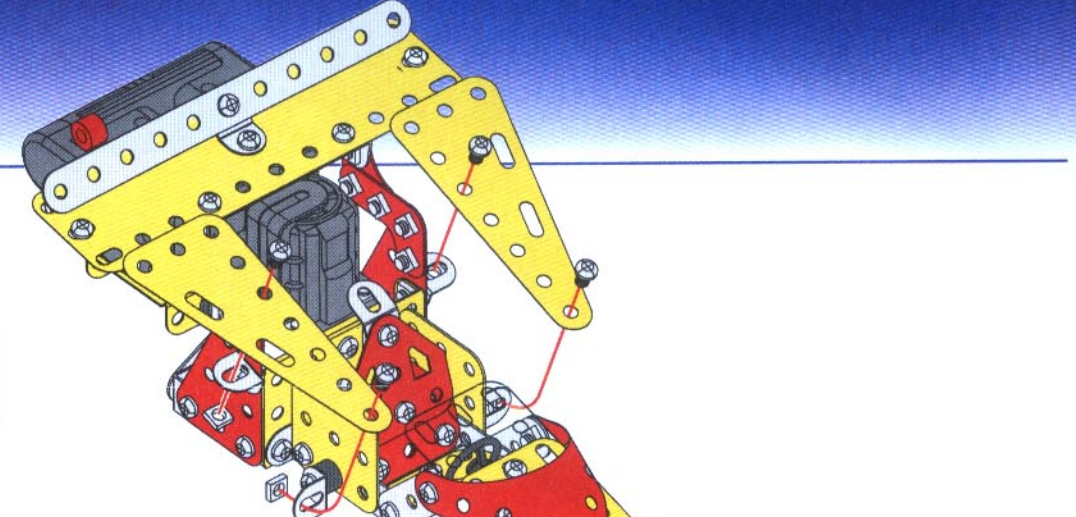
19 6+ 17+ 18+

	x2		x4
	9.5 mm		x2
	14.7 mm		x2



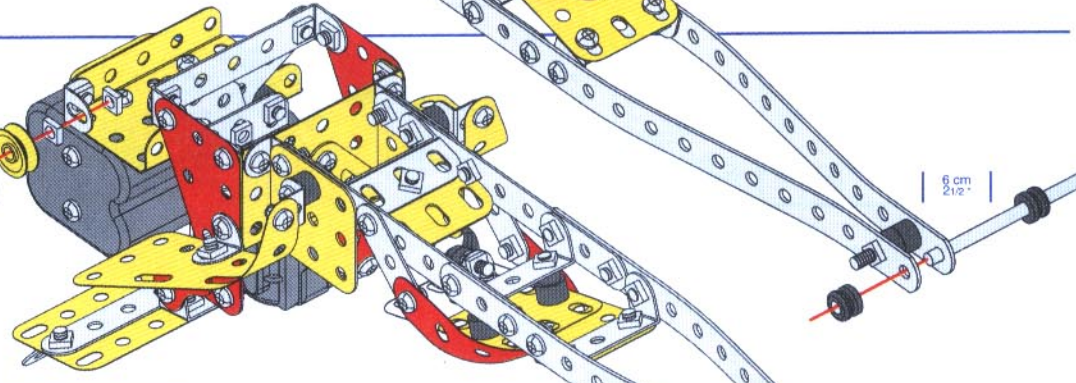
20 19+

- x2
- x1
- x4
- x2
- x4



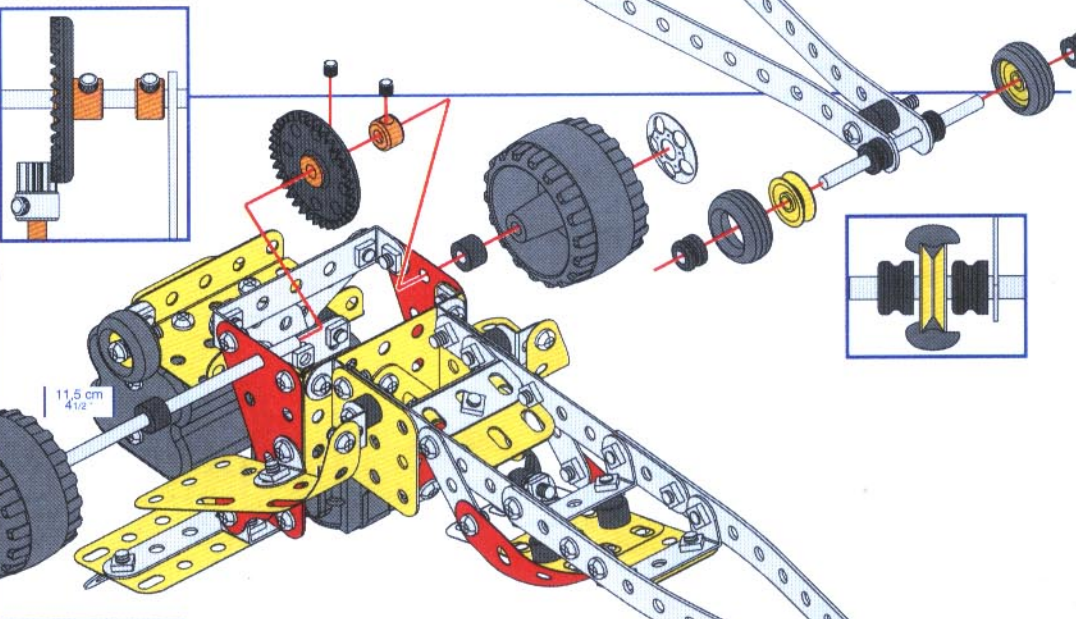
21 20+

- x3
- x1
- x3
- x2
- x2
- x1
- x1

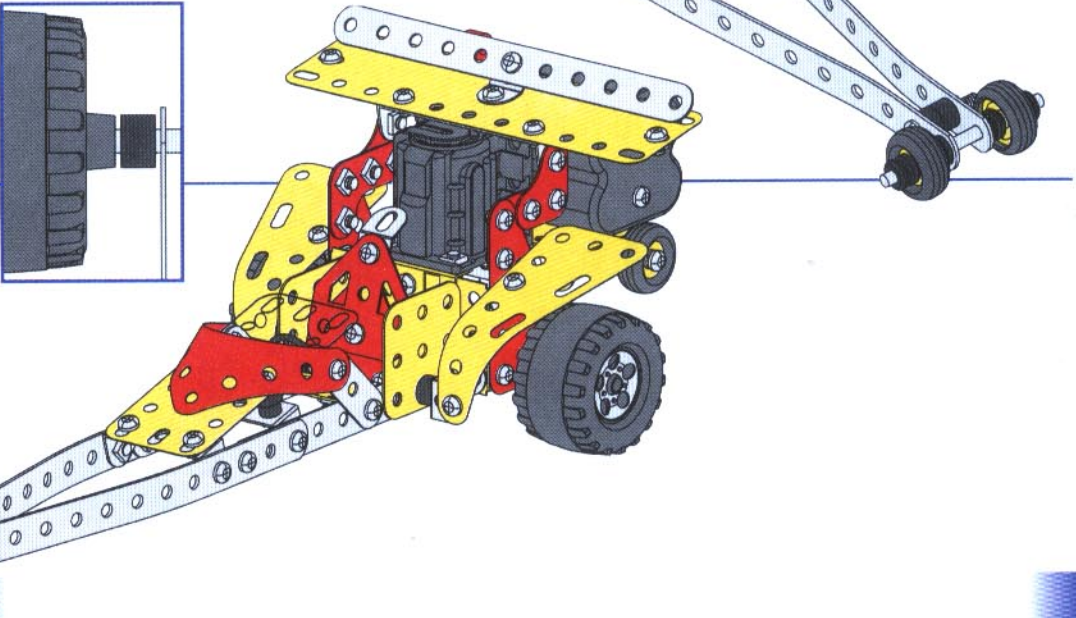


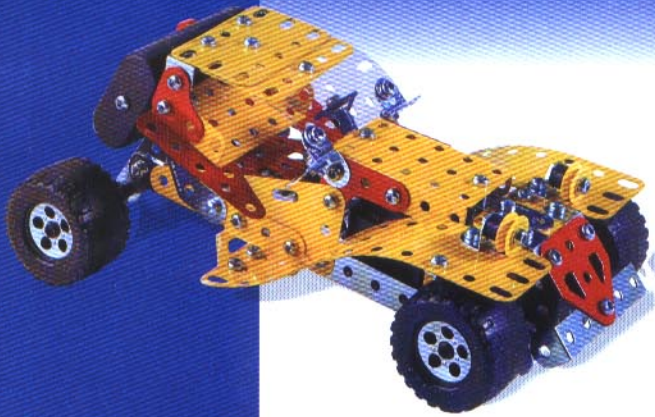
22 21+

- x1
- x2
- x1
- x1
- x2
- x2
- x2
- x1



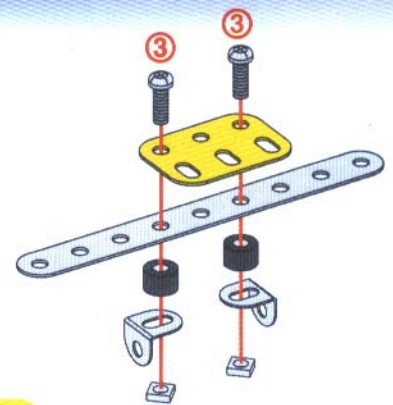
23





1

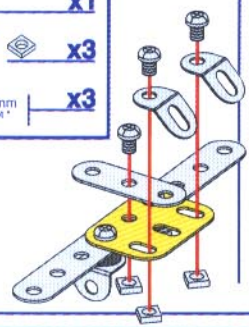
- x1
- x1
- x2
- x2
- x2
- x2



2

1+

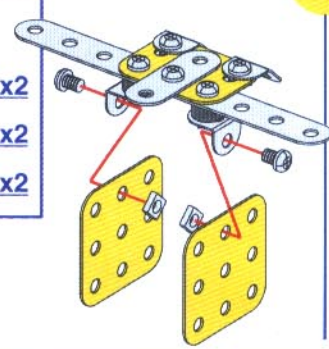
- x1
- x2
- x3
- x3



3

2+

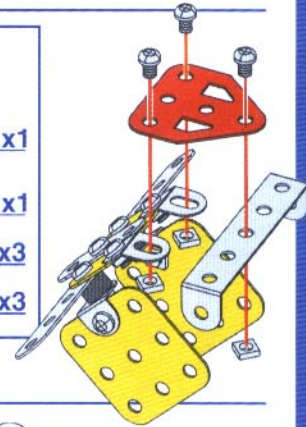
- x2
- x2
- x2



4

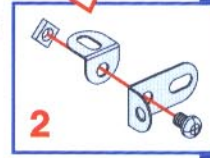
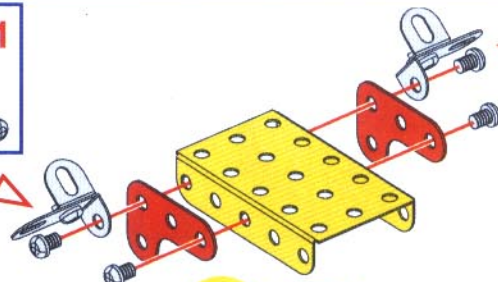
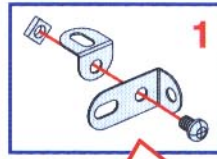
3+

- x1
- x1
- x3
- x3



5

- x1
- x2
- x2
- x6
- x6



6

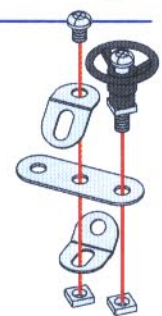
- x1
- x1
- x1
- x1



7

6+

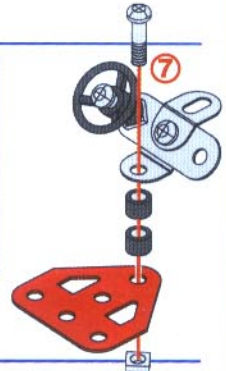
- x1
- x2
- x2
- x1



8

7+

- x1
- x2
- x1
- x1



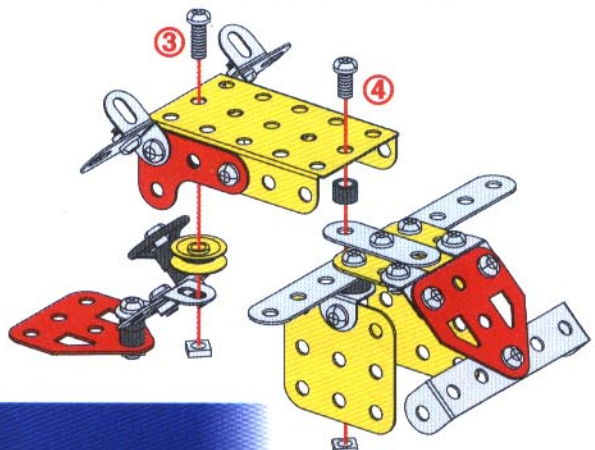
9

4+

5+

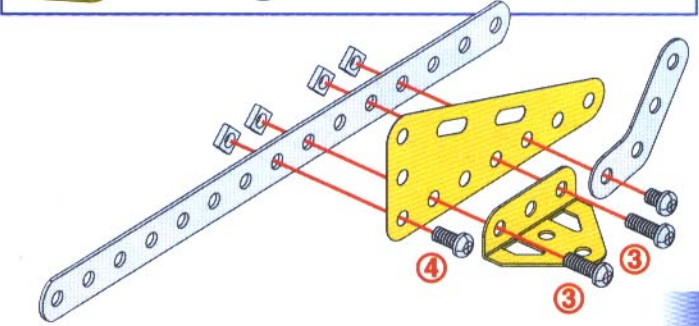
8+

- x1
- x1
- x1
- x1
- x2
- x1



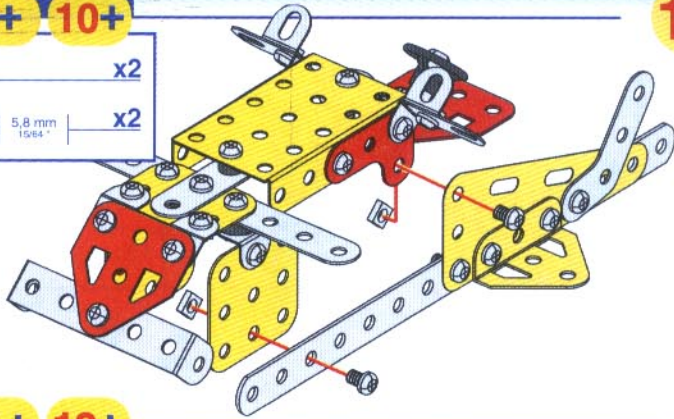
10

- x1
- x1
- x1
- x4
- x2
- x1
- x1



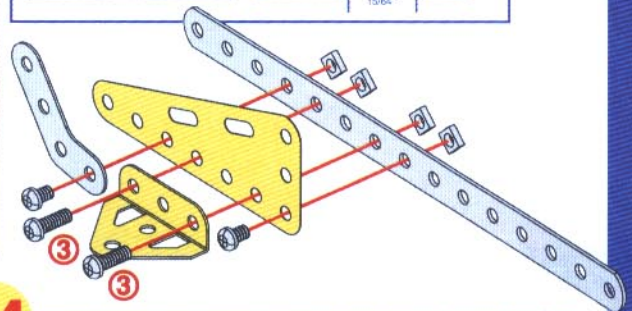
11 9+ 10+

- x2
- 5,8 mm 15/64" x2



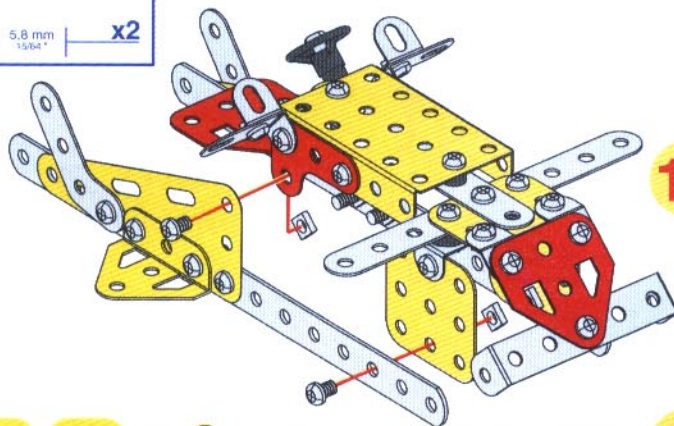
12

- x1
- x1
- x1
- x1
- 12 mm 1/2" x2
- 5,8 mm 15/64" x2
- x4



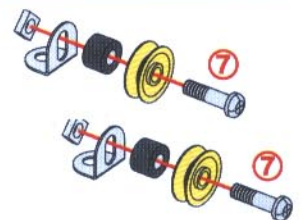
13 11+ 12+

- x2
- 5,8 mm 15/64" x2



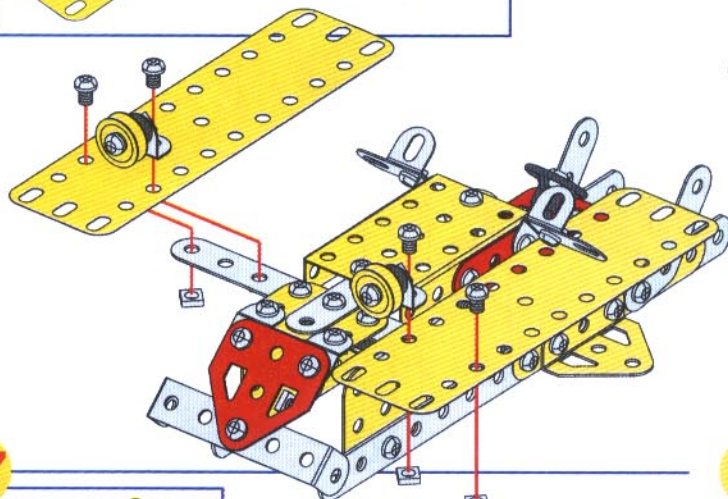
14

- x2
- x2
- x2
- x2
- 14,7 mm 9/16" x2



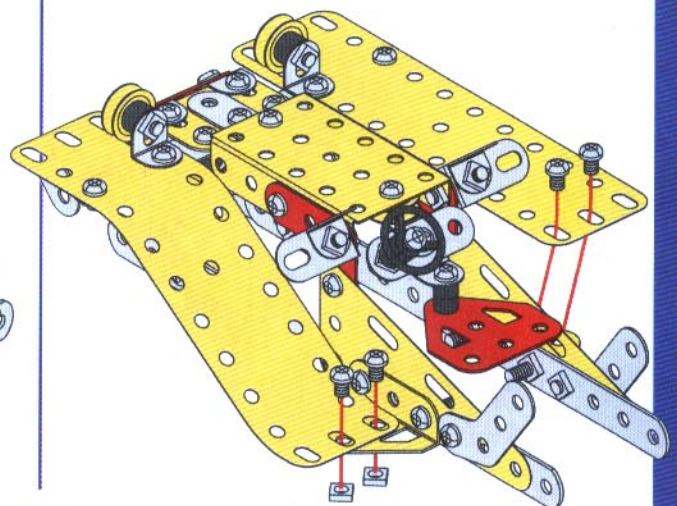
15 13+ 14+

- x2
- x4
- 5,8 mm 15/64" x4



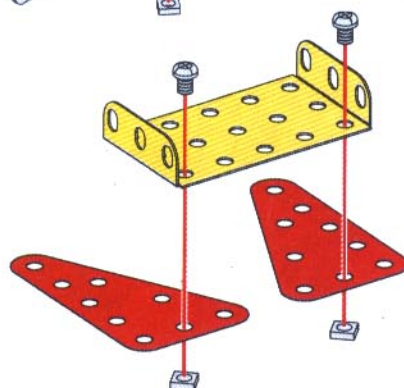
16 15+

- x4
- 5,8 mm 15/64" x4



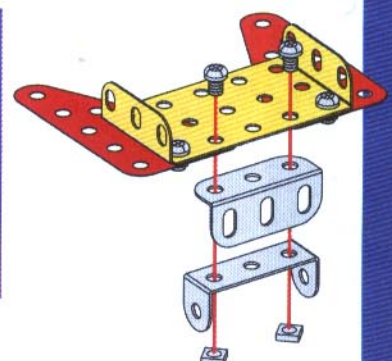
17

- x1
- x2
- x2
- 5,8 mm 15/64" x2

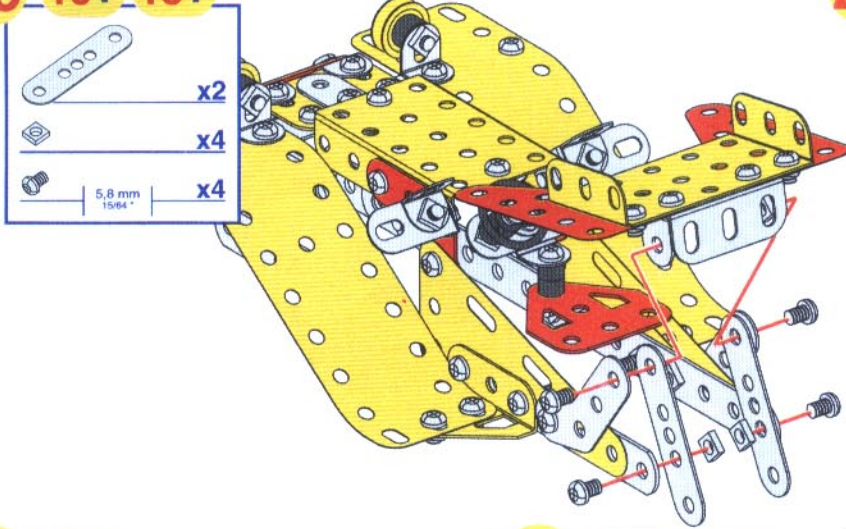


18 17+

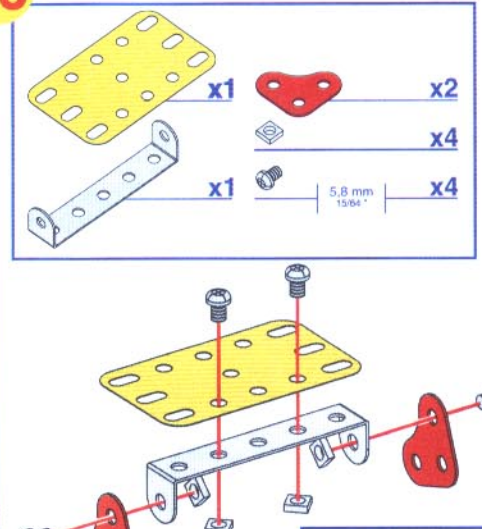
- x1
- x1
- x2
- 5,8 mm 15/64" x2



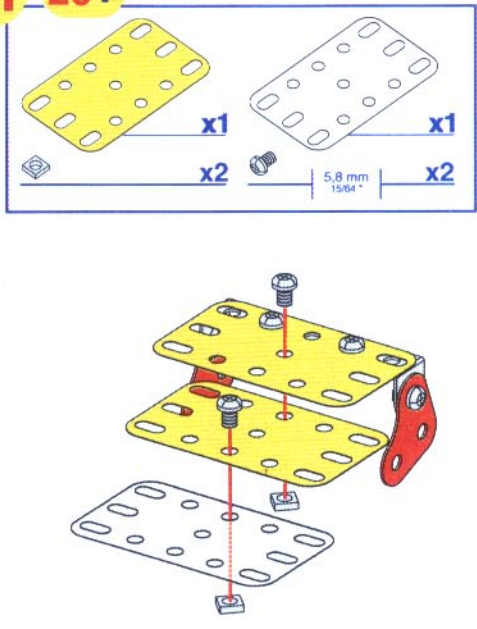
19 16+ 18+



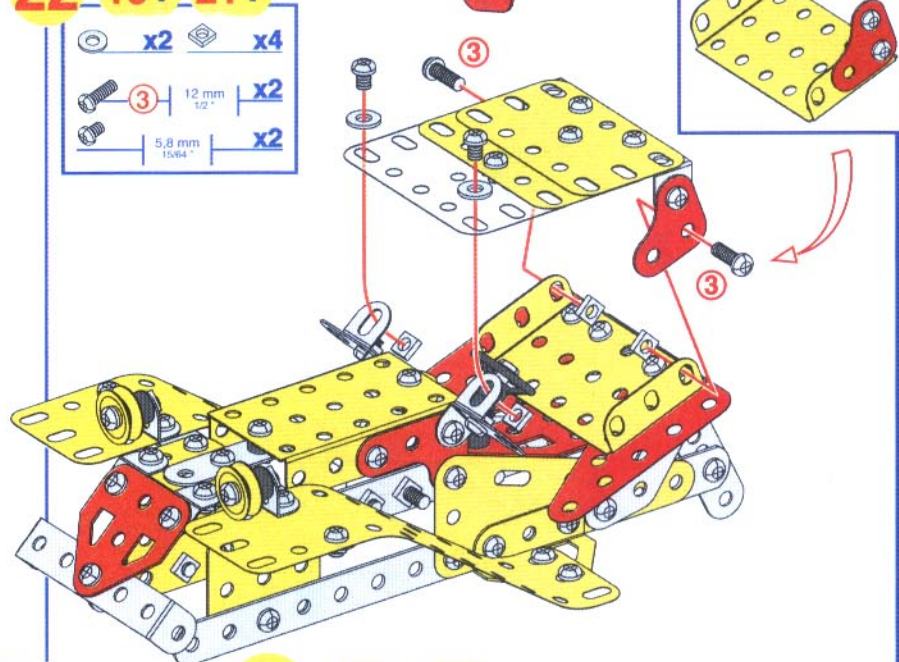
20



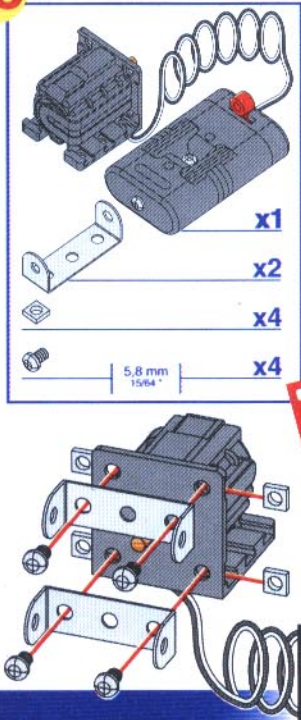
21 20+



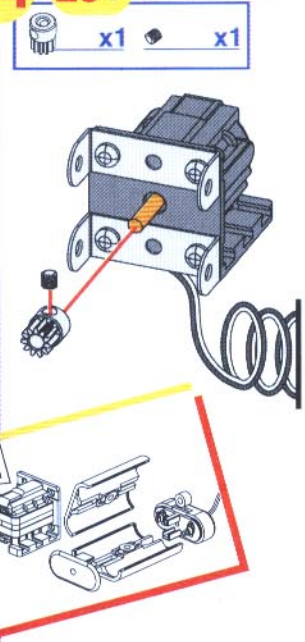
22 19+ 21+



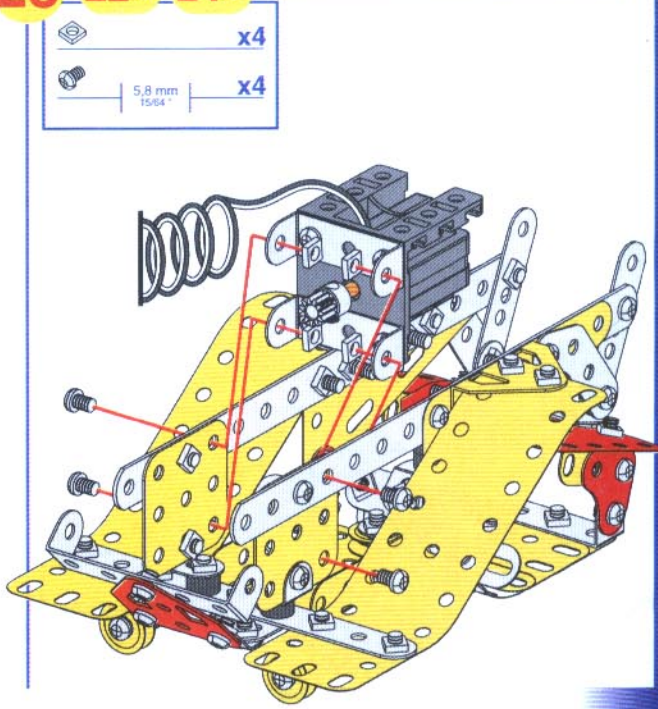
23



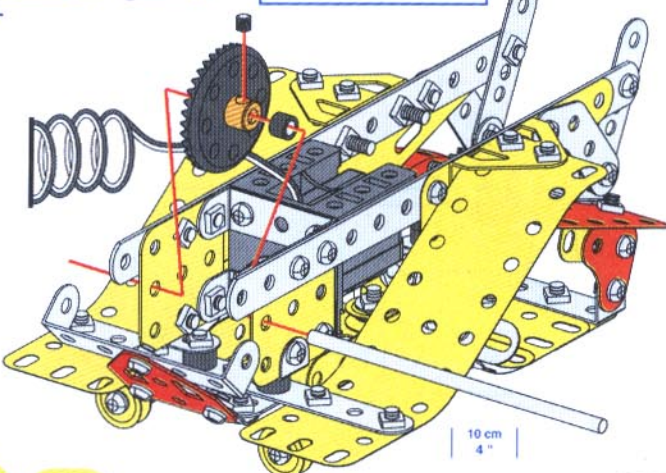
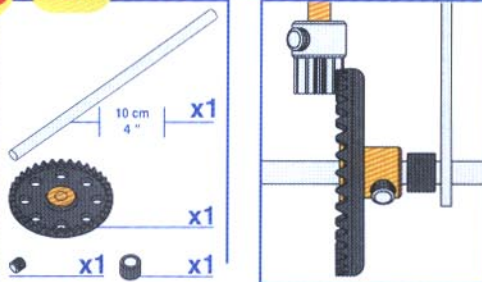
24 23+



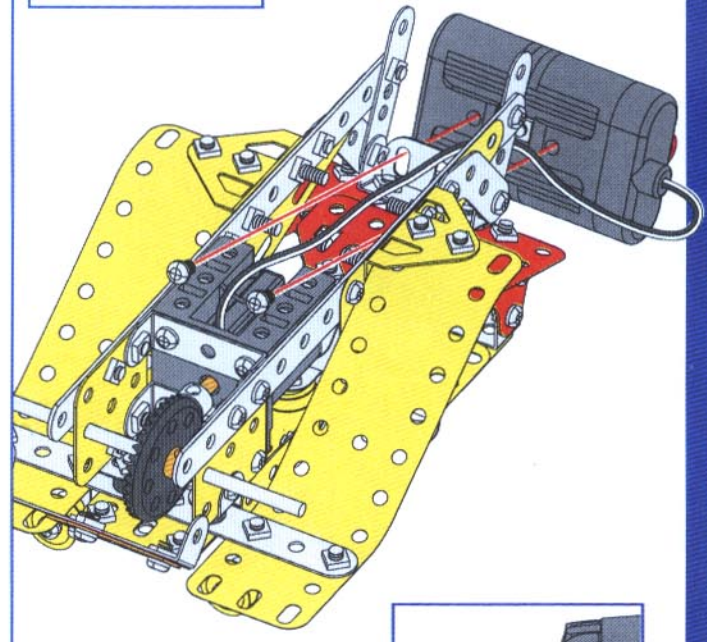
25 22+ 24+



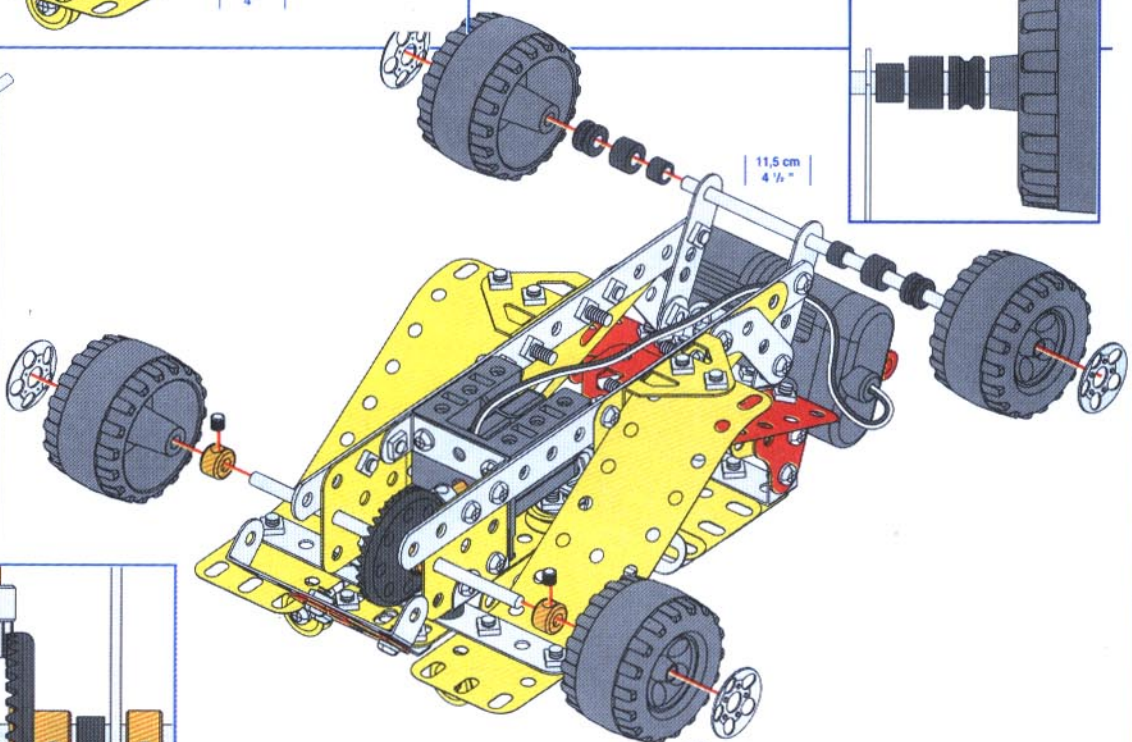
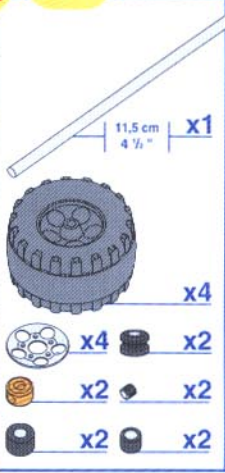
26 25+



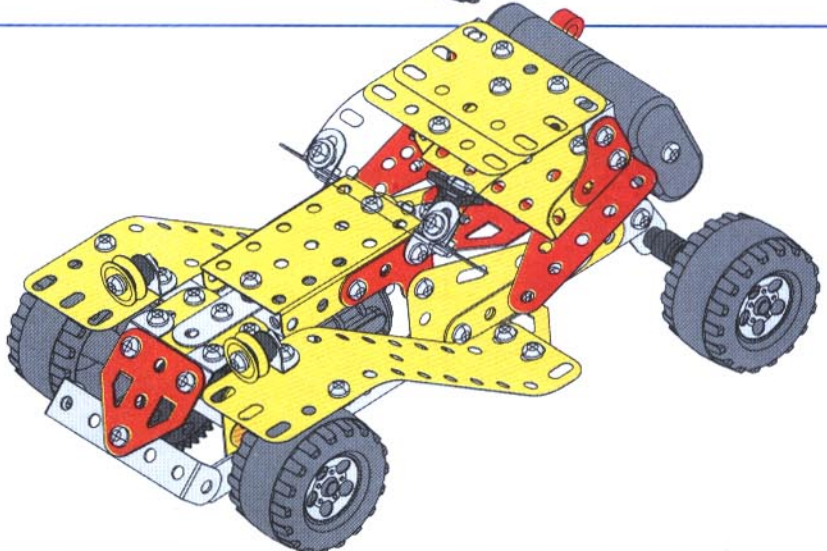
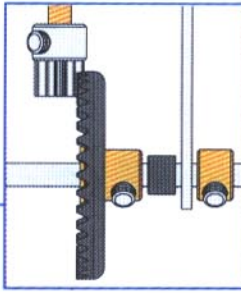
27 26+



28 27+



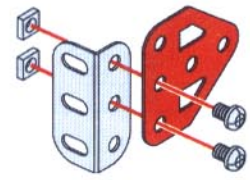
29





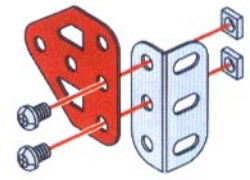
1

	x1
	x1
	x2
	x2



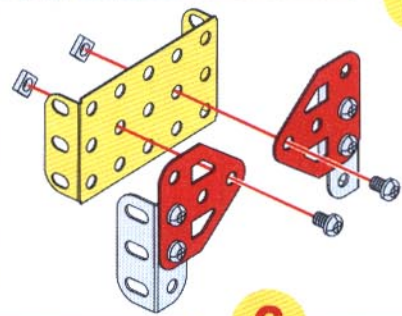
2

	x1
	x1
	x2
	x2



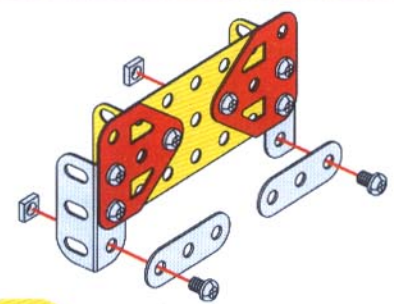
3 1+ 2+

	x1
	x2
	x2



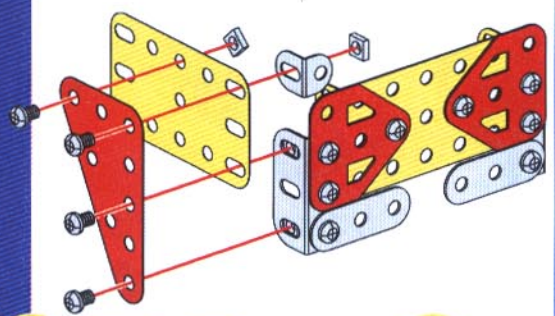
4 3+

	x2
	x2
	x2



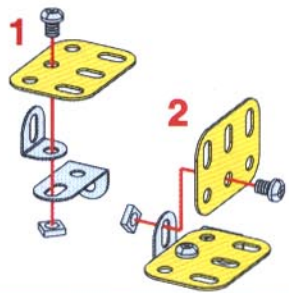
5 4+

	x1
	x1
	x4
	x1
	x4



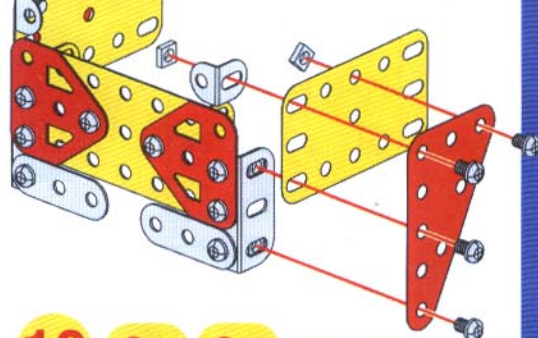
6

	x2
	x1
	x1
	x2
	x2



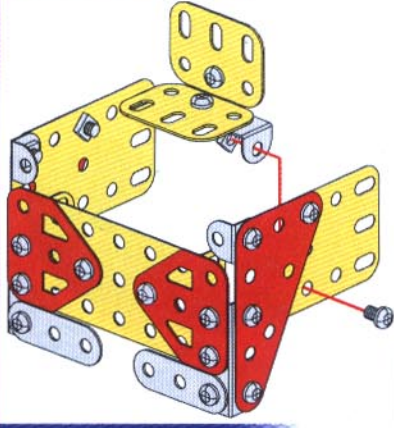
7 5+

	x1
	x1
	x1
	x4
	x4



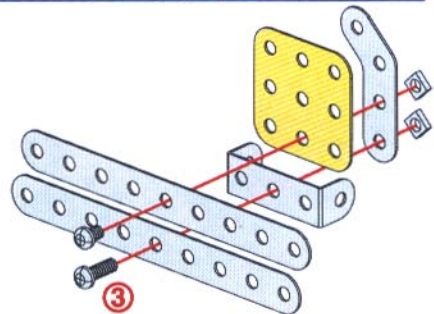
8 6+ 7+

	x1
	x1



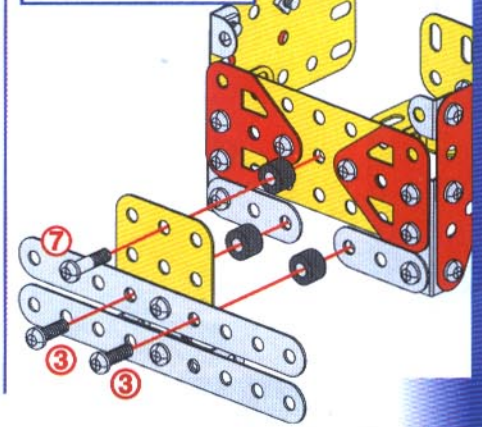
9

	x2
	x1
	x1
	x2
	x1
	x1



10 8+ 9+

	x3
	x3
	x1
	x2



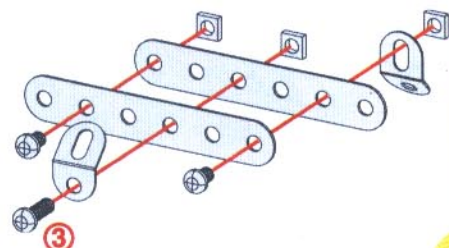
11

- x1
- x1
- 7 | 14,7 mm | x1



12

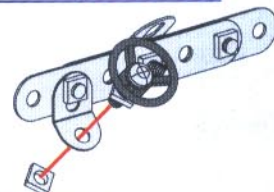
- x2
- x2
- x3
- 3 | 12 mm | x1
- 5.8 mm | x2



13

11+ 12+

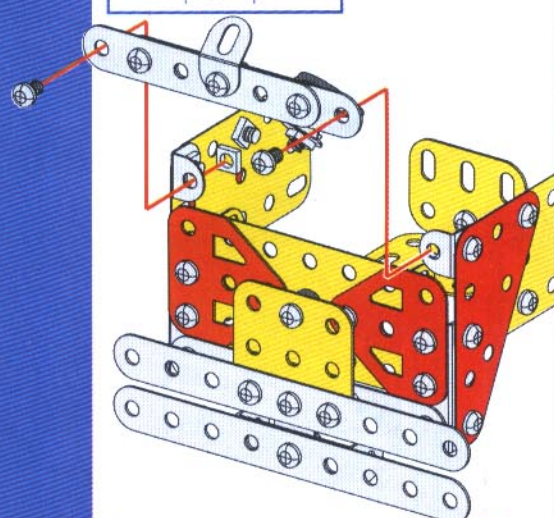
- x1



14

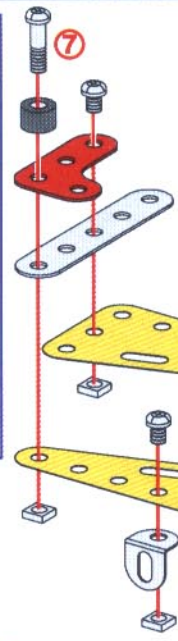
10+ 12+

- x2
- 5.8 mm | x2



15

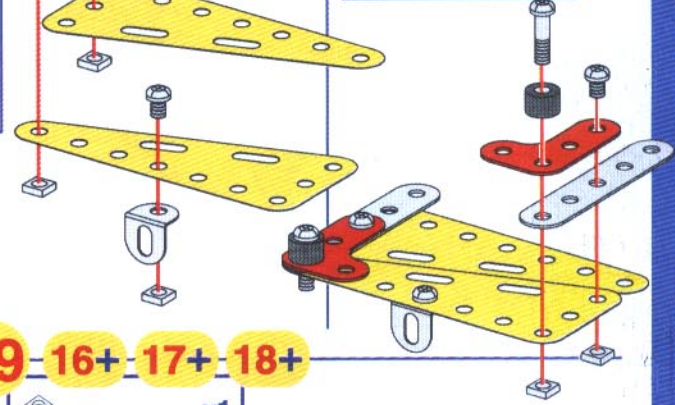
- x2
- x1
- x1
- x1
- x1
- x3
- 7 | 14,7 mm | x1
- 5.8 mm | x2



16

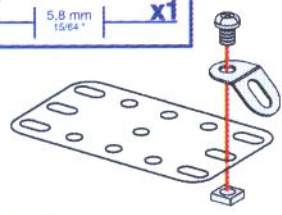
15+

- x1
- x1
- x1
- x2
- 7 | 14,7 mm | x1
- 5.8 mm | x1



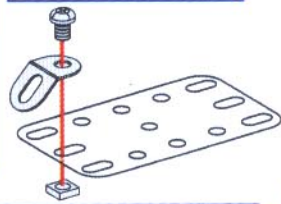
17

- x1
- x1
- x1
- x1
- 5.8 mm | x1



18

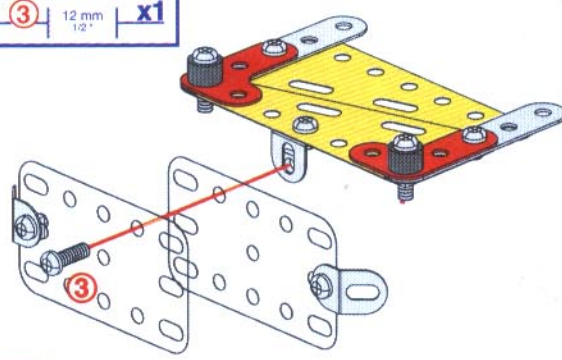
- x1
- x1
- x1
- x1
- 5.8 mm | x1



19

16+ 17+ 18+

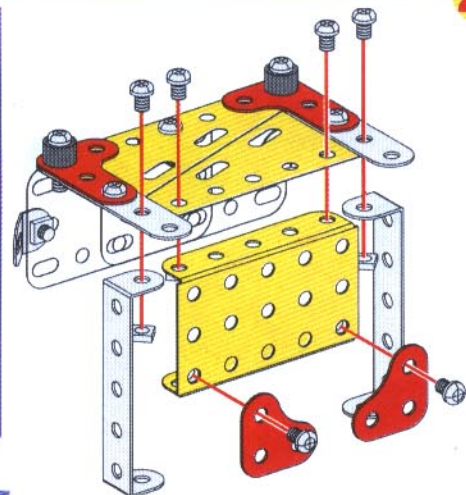
- x1
- 3 | 12 mm | x1



20

19+

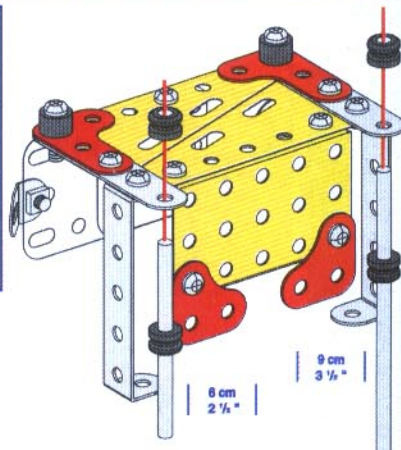
- x2
- x2
- x1
- x6
- 5.8 mm | x6



21

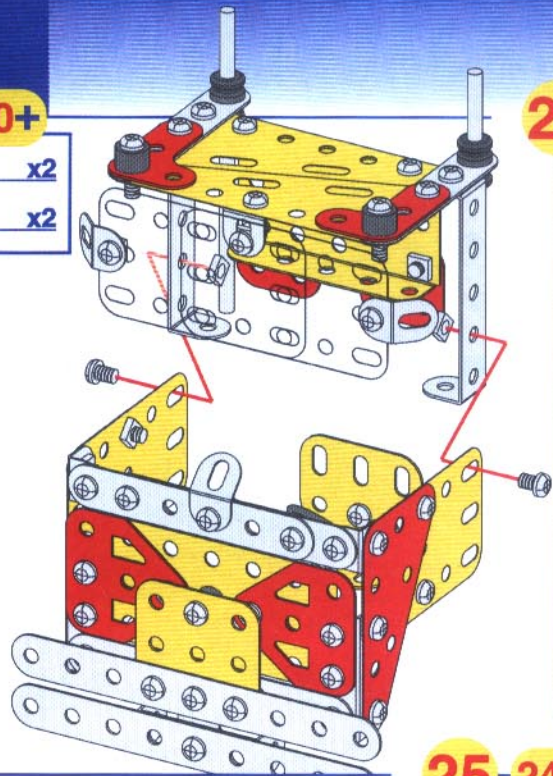
20+

- 9 cm | x1
- 6 cm | x1
- x4



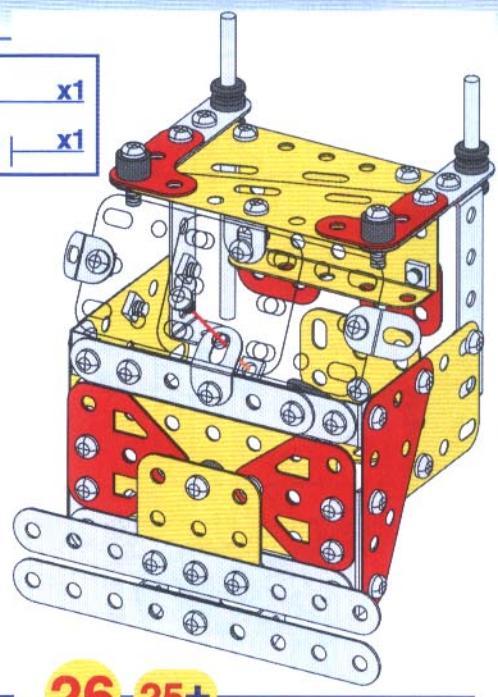
22 14+ 20+

- x2
- 5,8 mm 15/64" x2



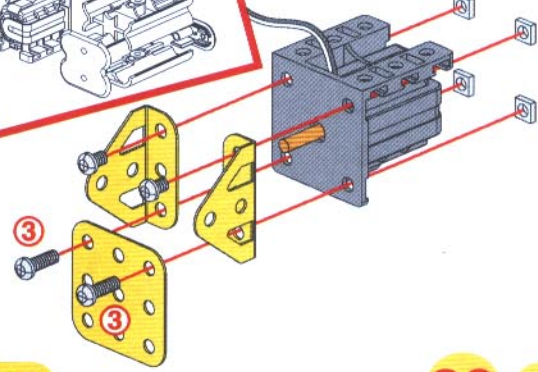
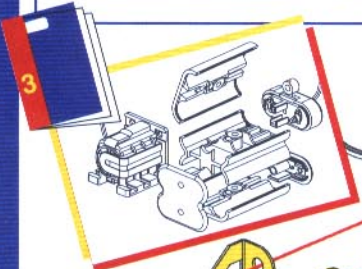
23 22+

- x1
- 5,8 mm 15/64" x1



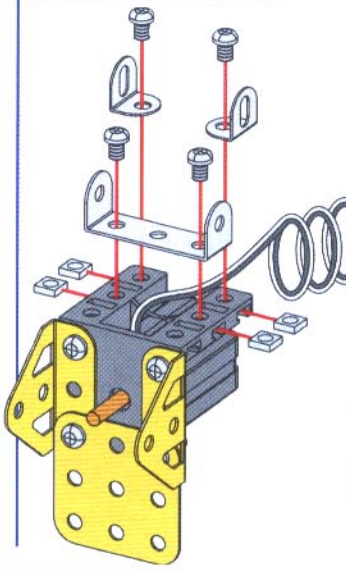
24

- x1
- x1
- x2
- 12 mm 1/2" x2
- 5,8 mm 15/64" x2
- x4



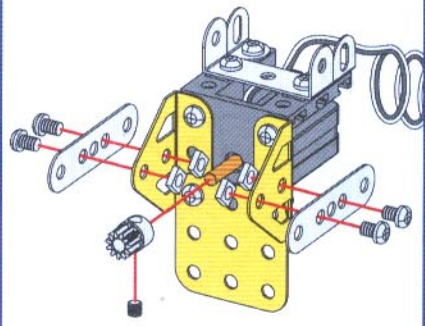
25 24+

- x1
- x2
- 5,8 mm 15/64" x4
- x4



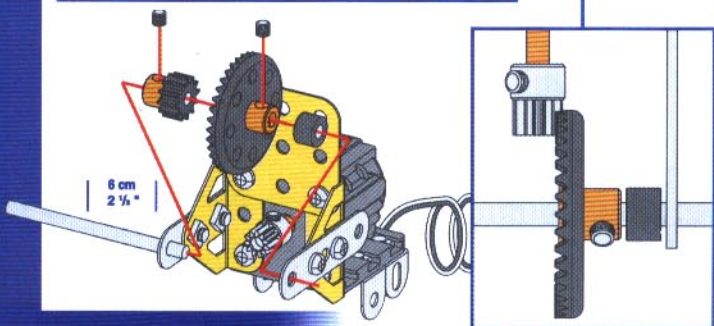
26 25+

- x2
- x4
- 5,8 mm 15/64" x1
- x1
- 5,8 mm 15/64" x4



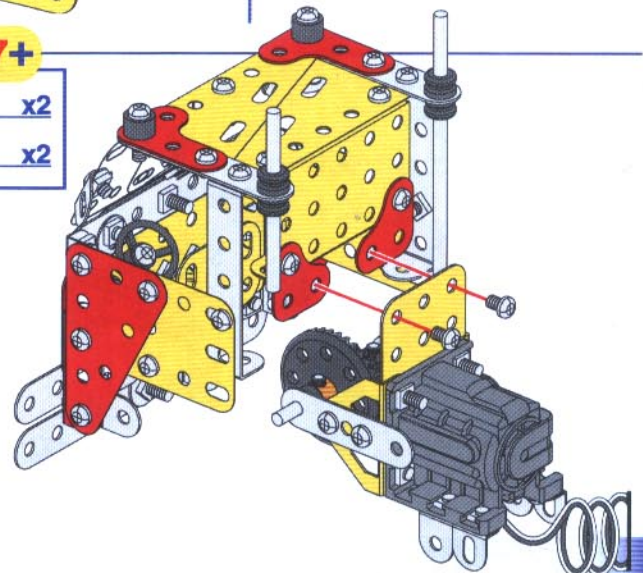
27 26+

- 6 cm 2 1/2" x1
- x1
- x1
- x1
- 5,8 mm 15/64" x2



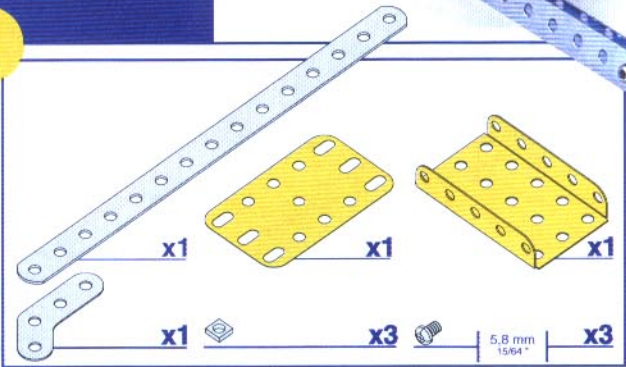
28 23+ 27+

- x2
- 5,8 mm 15/64" x2



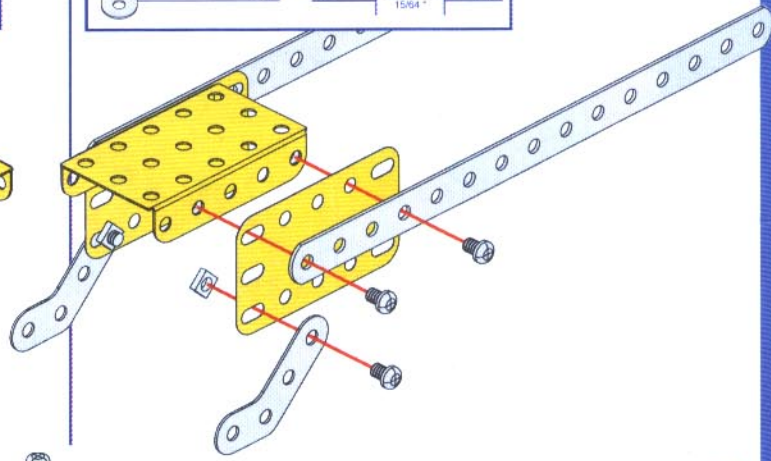
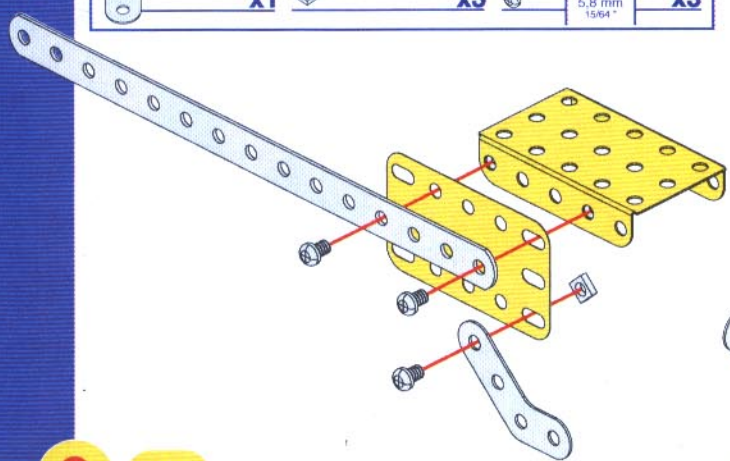
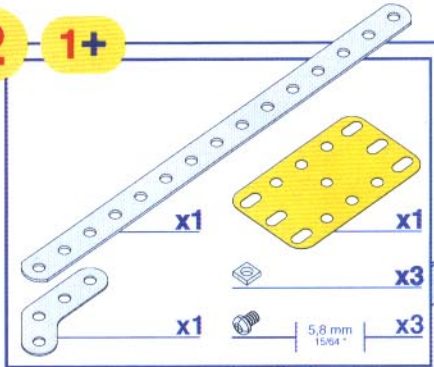


1



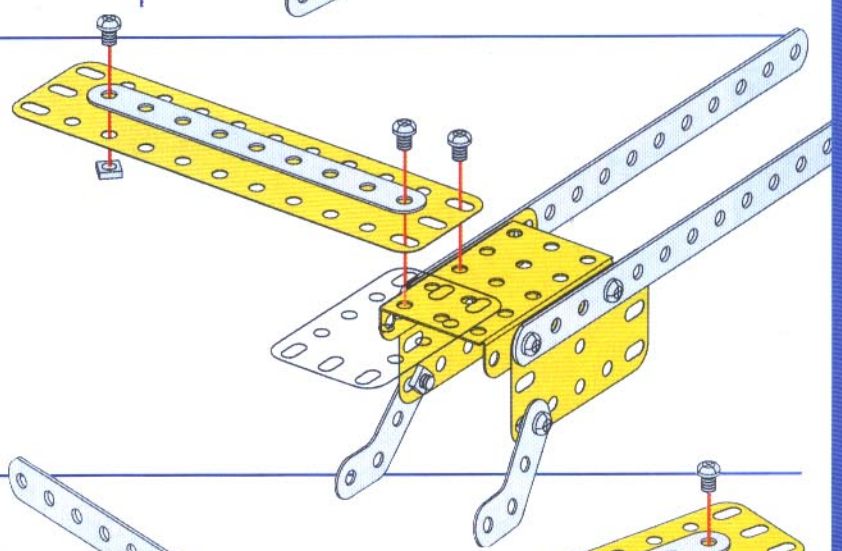
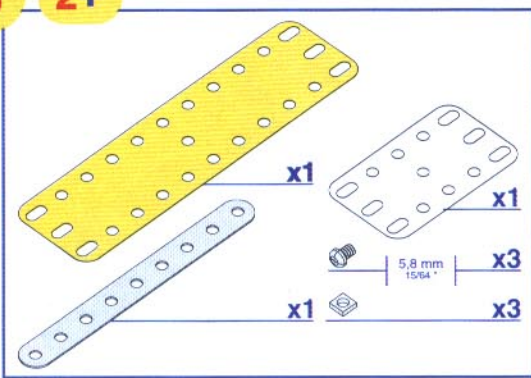
2

1+



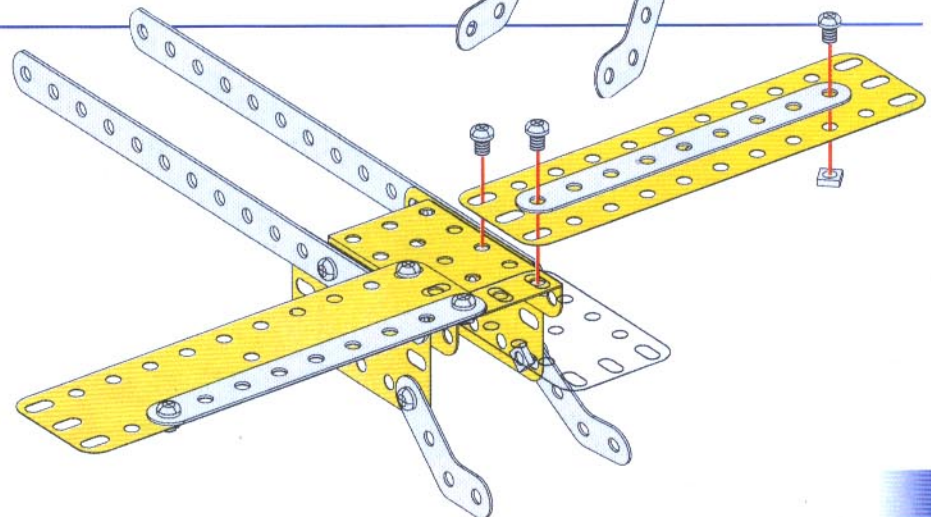
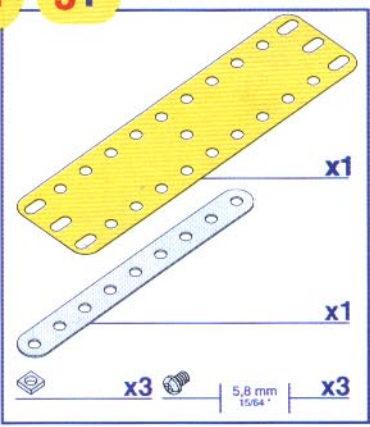
3

2+



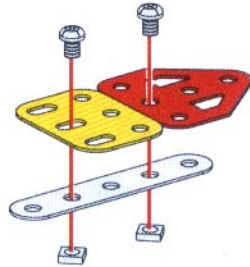
4

3+



5

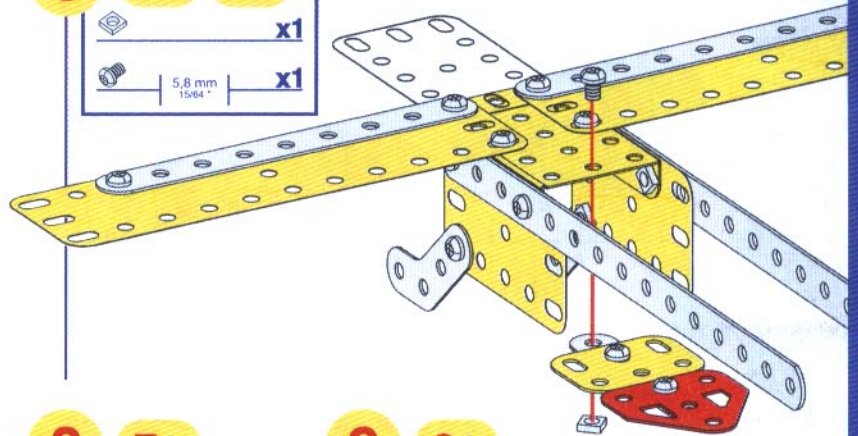
- x1
- x1
- x1
- x2
- x2



6

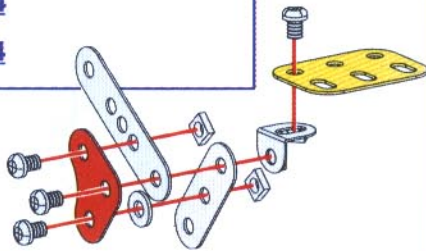
4+ 5+

- x1
- x1



7

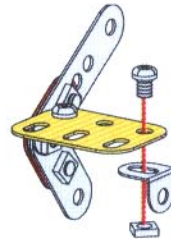
- x1
- x1
- x1
- x1
- x1
- x1
- x4
- x4



8

7+

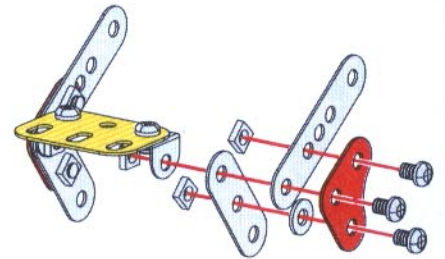
- x1
- x1
- x1



9

8+

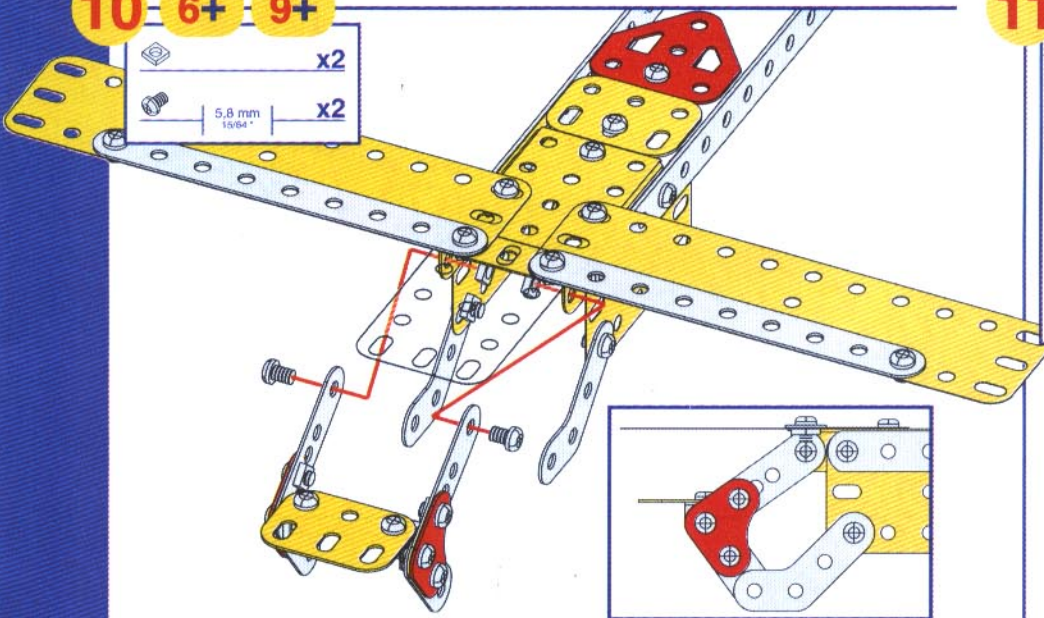
- x1
- x1
- x3
- x1
- x1
- x3



10

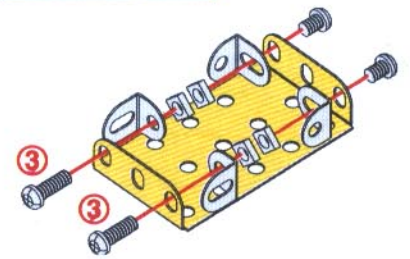
6+ 9+

- x2
- x2



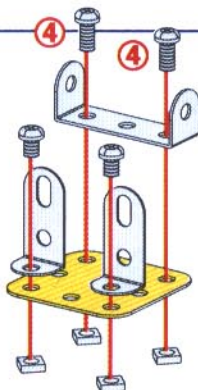
11

- x1
- x4
- x4
- x2
- x2



12

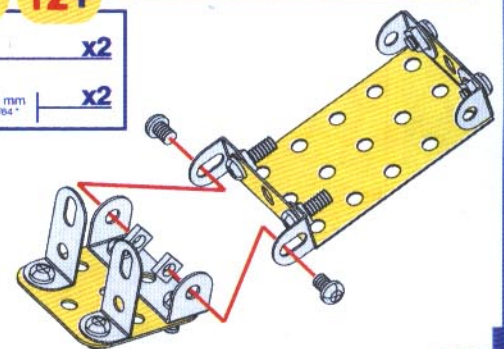
- x1
- x1
- x2
- x4
- x2
- x2



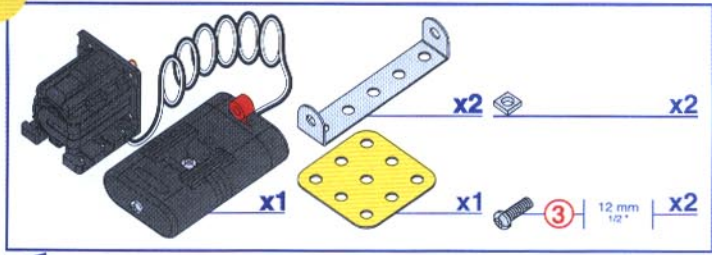
13

11+ 12+

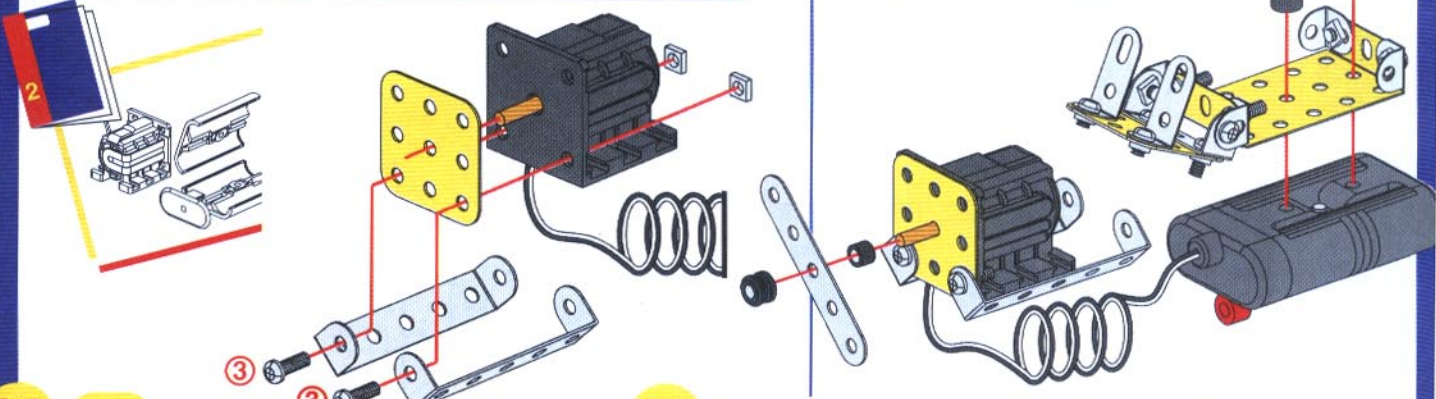
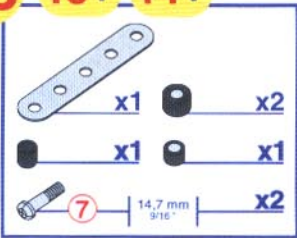
- x2
- x2



12



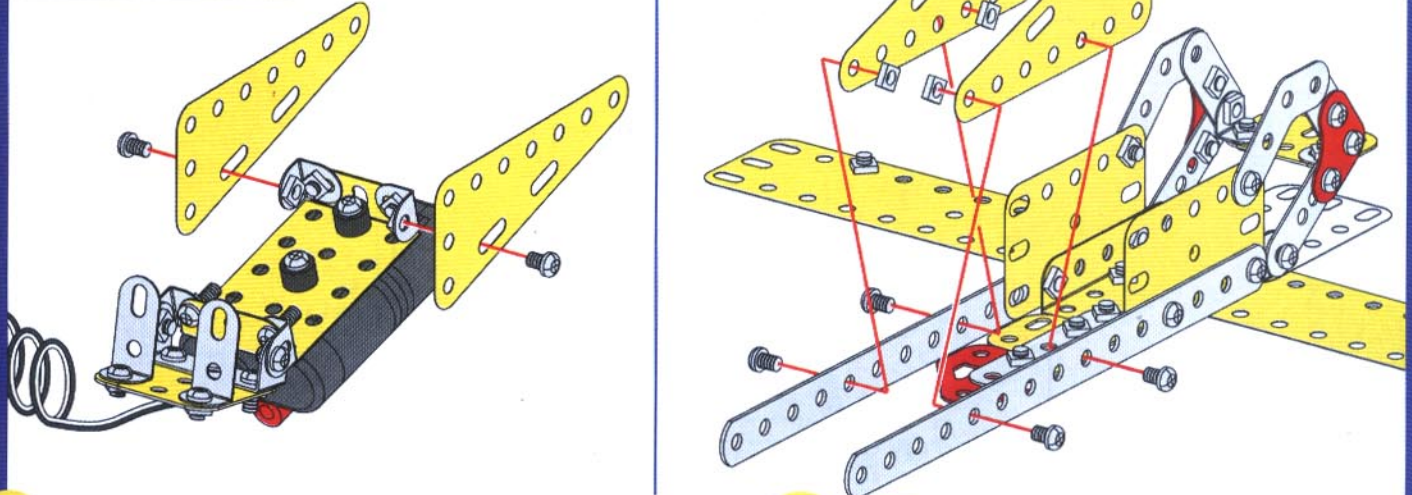
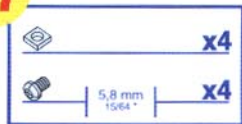
15 13+ 14+



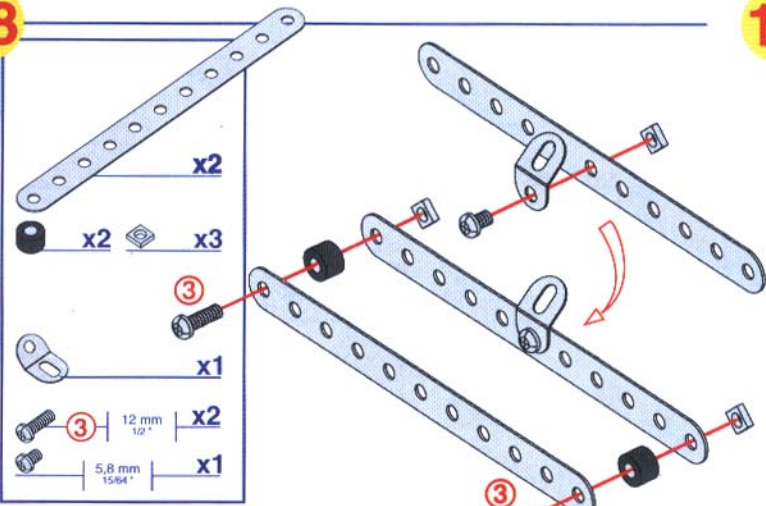
16 15+



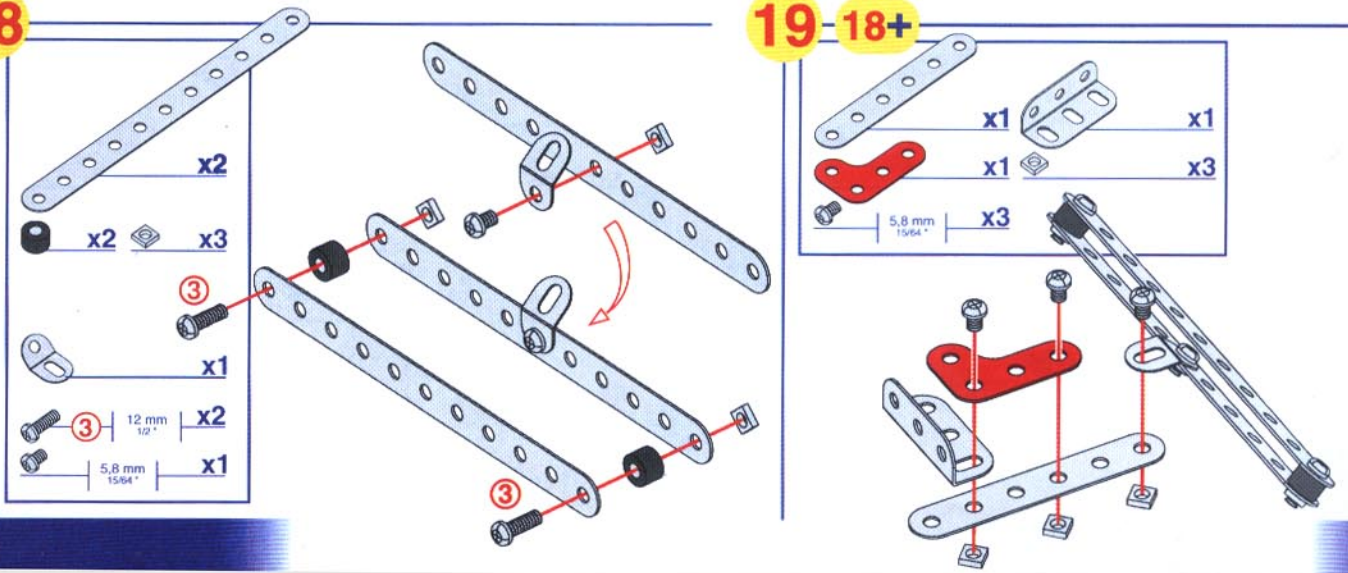
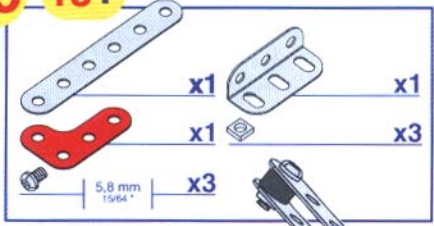
17



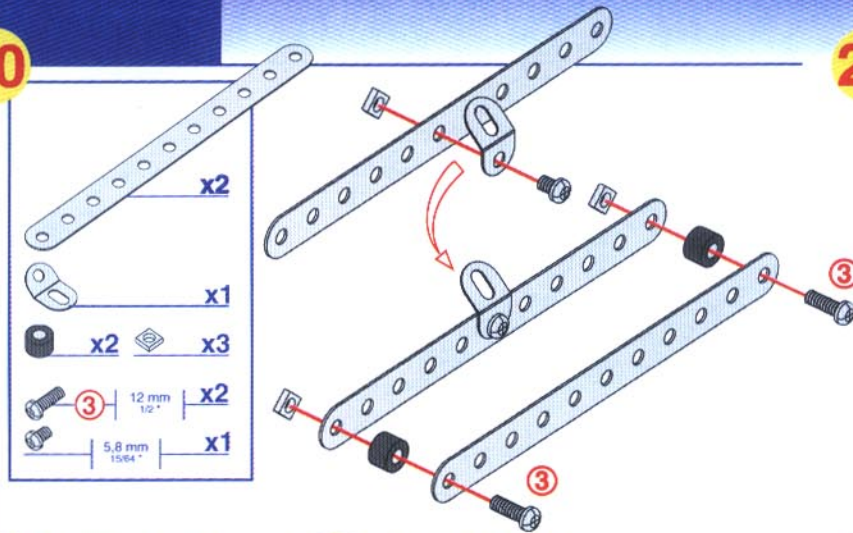
18



19 18+

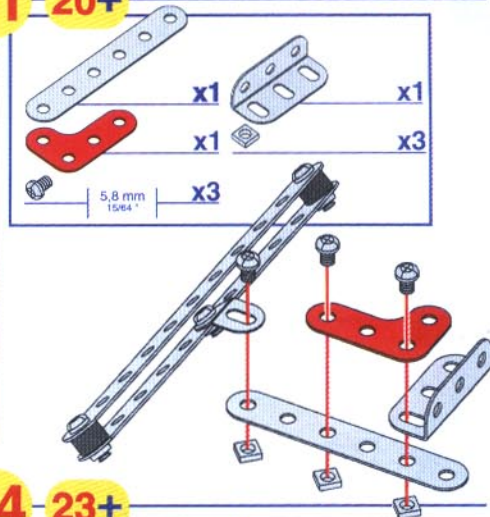


20



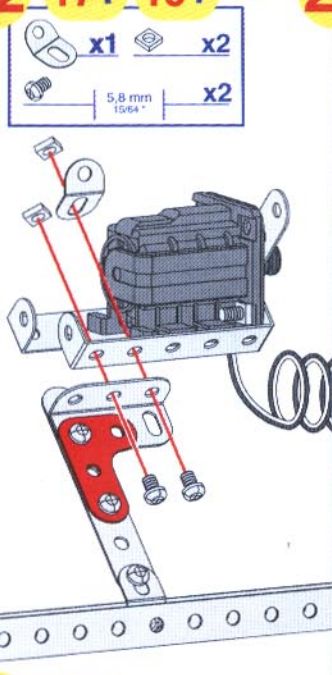
- x2
- x1
- x2
- x3
- x2
- x1

21 20+



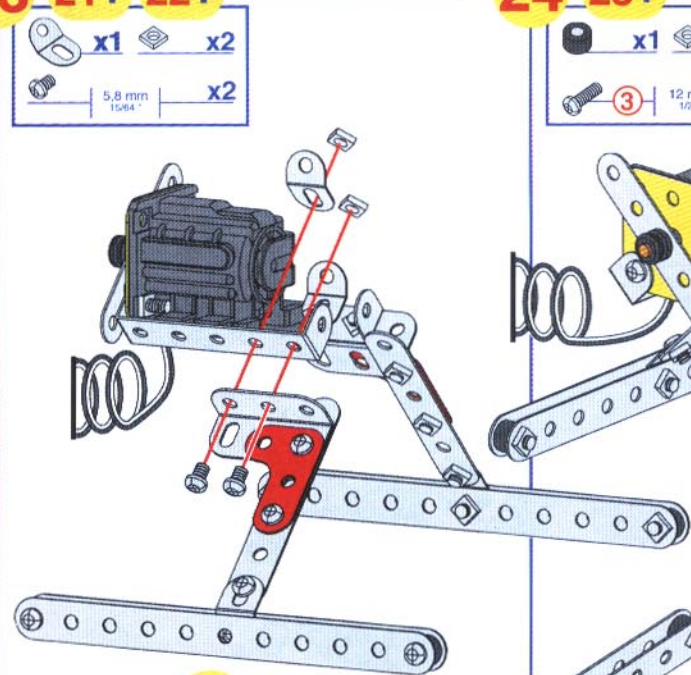
- x1
- x1
- x1
- x1
- x3
- x3

22 17+ 19+



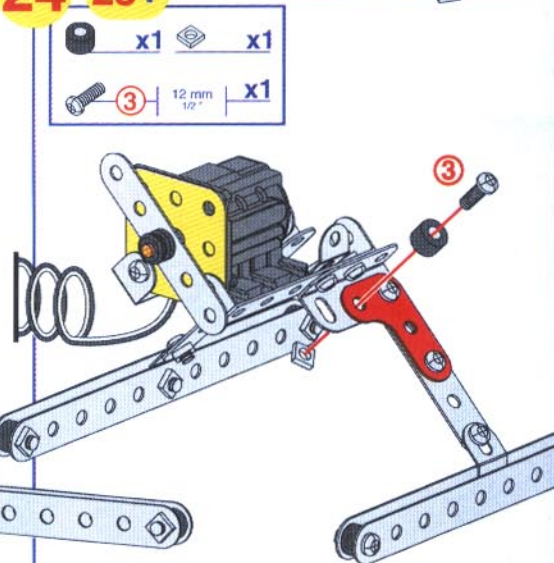
- x1
- x2
- x2

23 21+ 22+



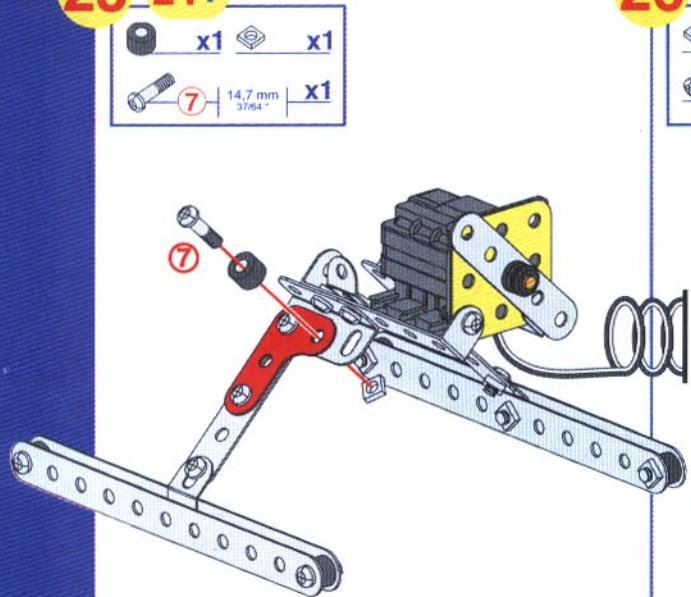
- x1
- x2
- x2

24 23+



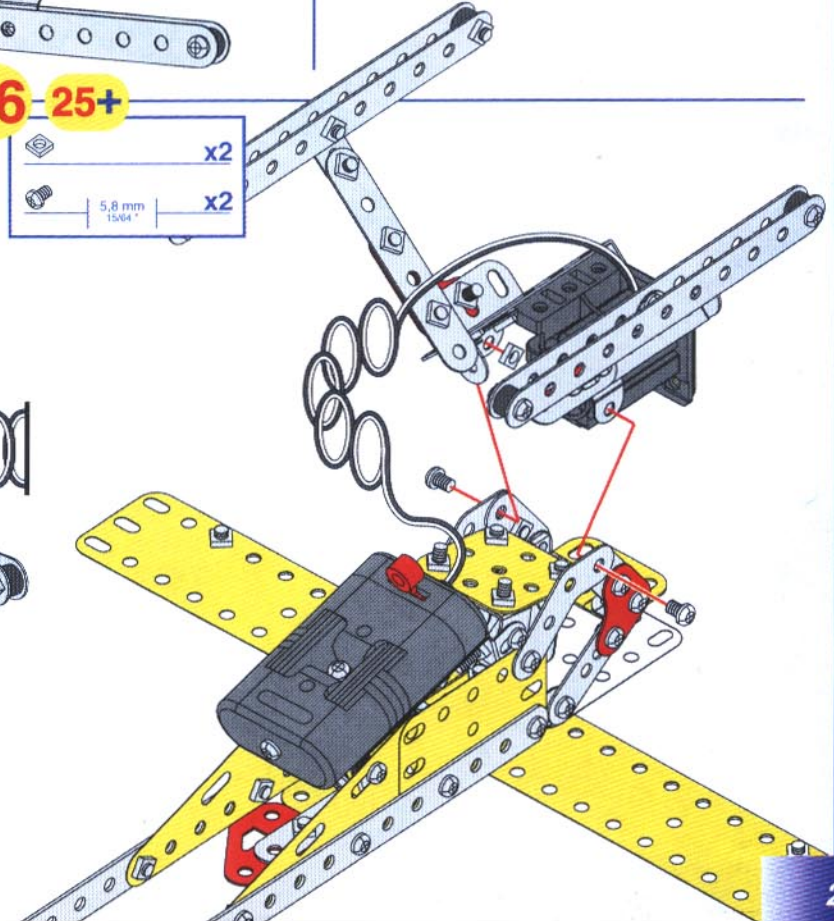
- x1
- x1
- x1

25 24+



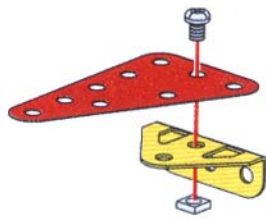
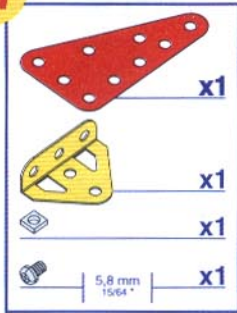
- x1
- x1
- x1

26 25+

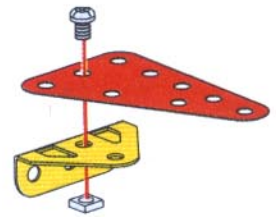
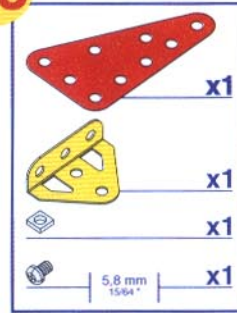


- x2
- x2

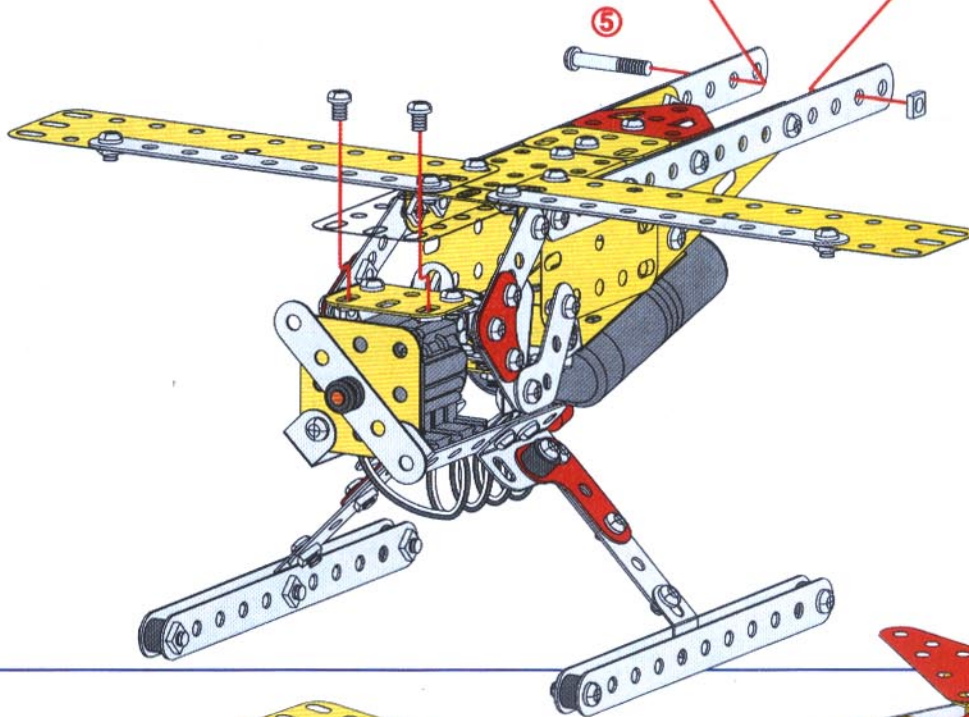
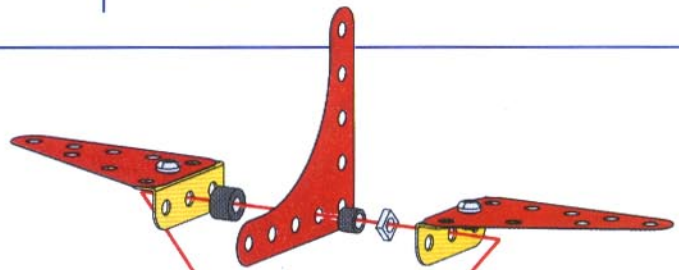
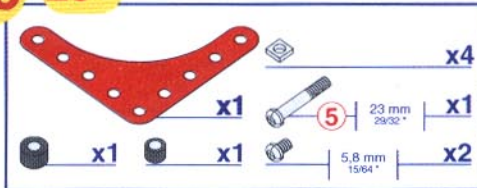
27



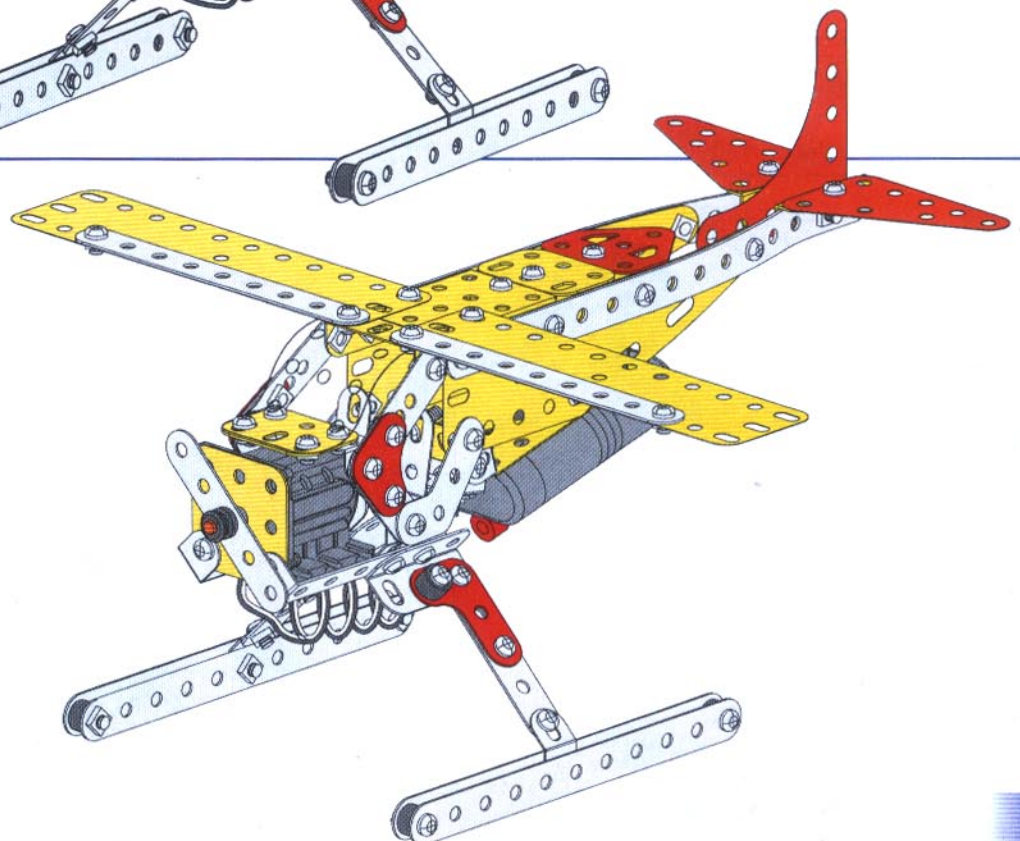
28



29 26+








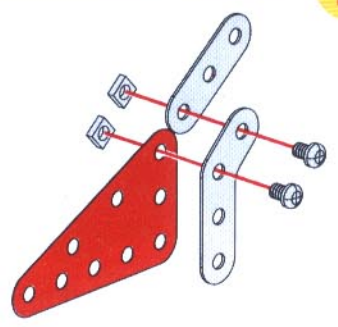
30




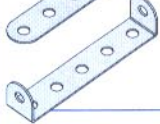




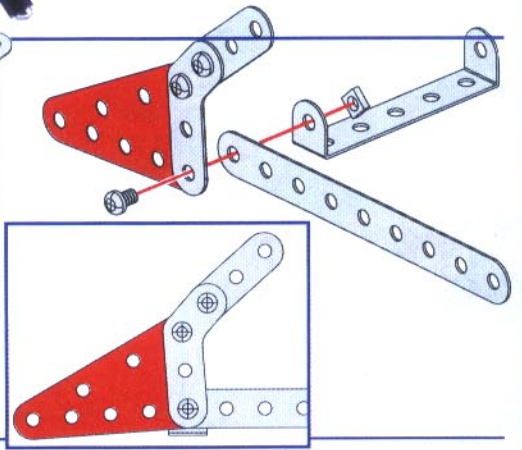
1

-  x1
-  x1
-  x1
-  x2
-  x2

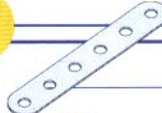






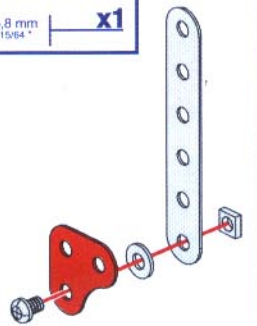
2 1+

-  x1
-  x1
-  x1
-  x1

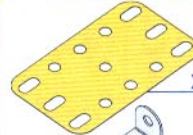
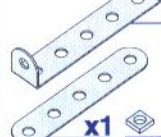
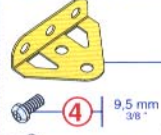






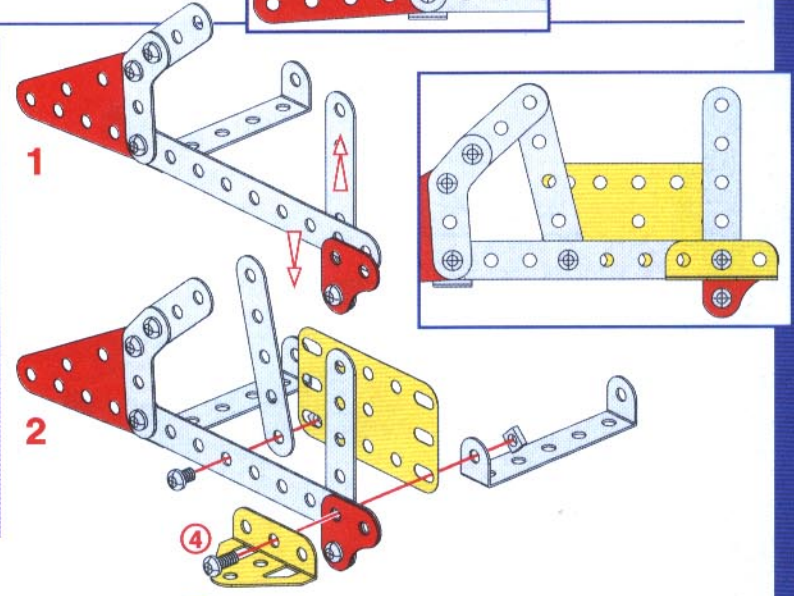
3

-  x1
-  x1
-  x1
-  x1
-  x1

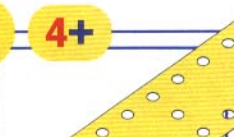
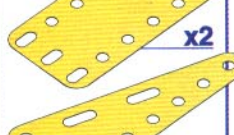





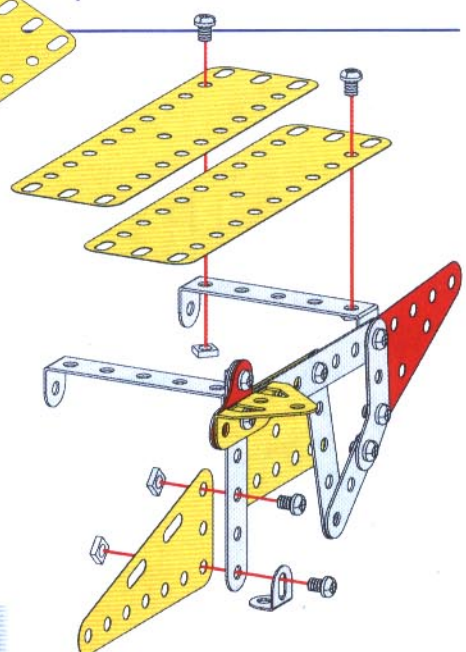
4 2+ 3+

-  x1
-  x1
-  x1
-  x2
-  x1
-  x1
-  x1







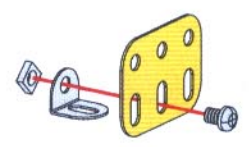
5 4+

-  x2
-  x1
-  x1
-  x4
-  x4



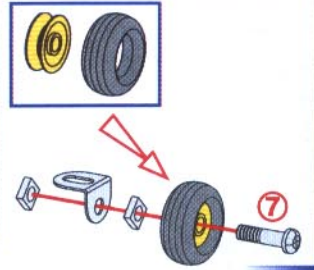
6

-  x1
-  x1
-  x1
-  x1









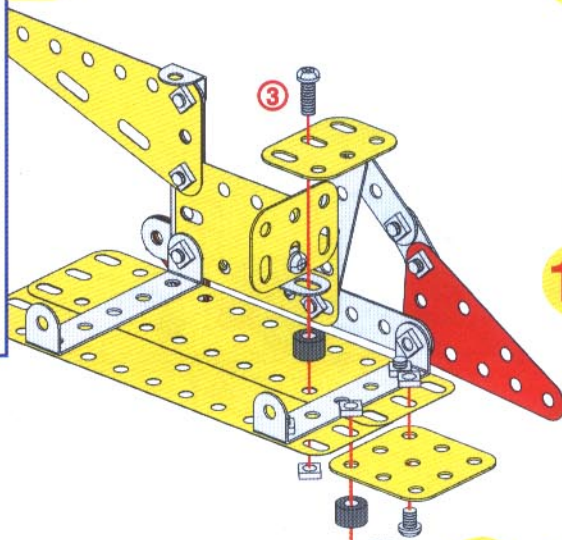
7

-  x1
-  x1
-  x1
-  x2
-  x1







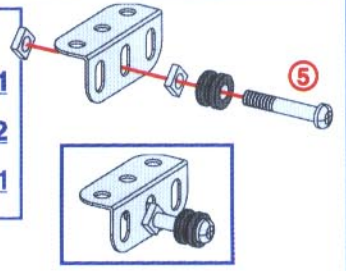
8 5+ 6+ 7+

-  x1
-  x1
-  x2  x3
-  12 mm 1/2" x2
-  5.8 mm 15/64" x1







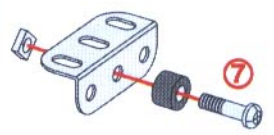
9

-  x1
-  x1  x2
-  23 mm 29/32" x1

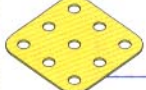






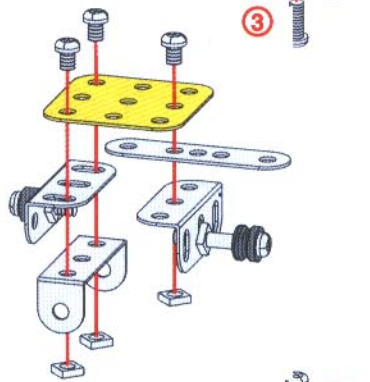
10

-  x1
-  x1  x1
-  14.7 mm 9/16" x1



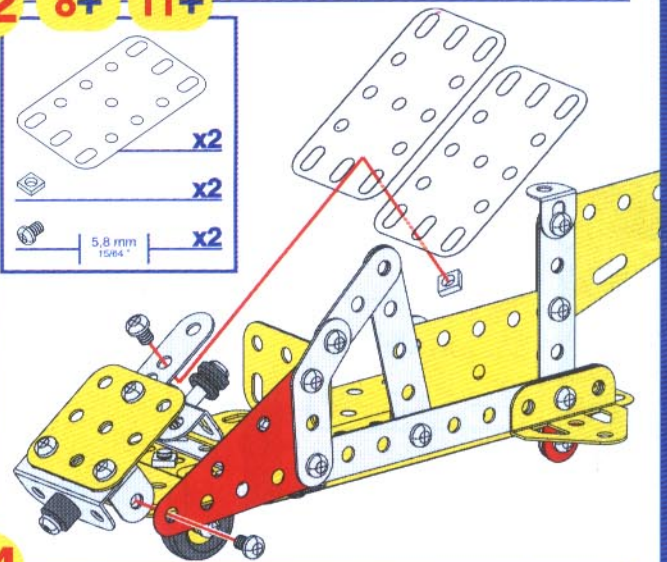
11 9+ 10+

-  x1
-  x1
-  x1
-  x3
-  5.8 mm 15/64" x3

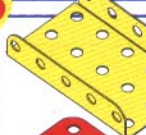





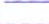


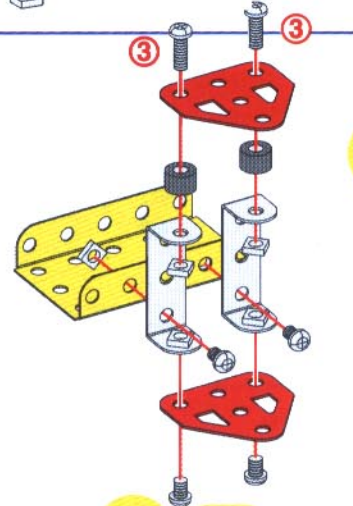
12 8+ 11+

-  x2
-  x2
-  5.8 mm 15/64" x2

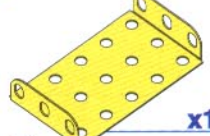






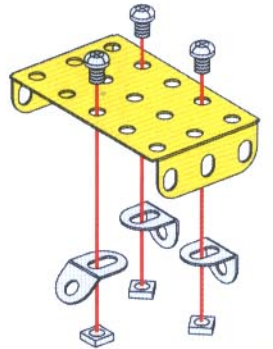
13

-  x1
-  x2
-  x2
-  x2  x6
-  12 mm 1/2" x2
-  5.8 mm 15/64" x4



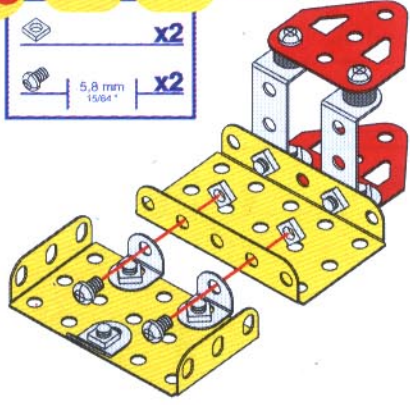
14

-  x1
-  x1
-  x2  x3
-  5.8 mm 15/64" x3





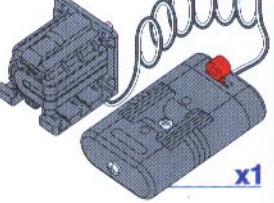


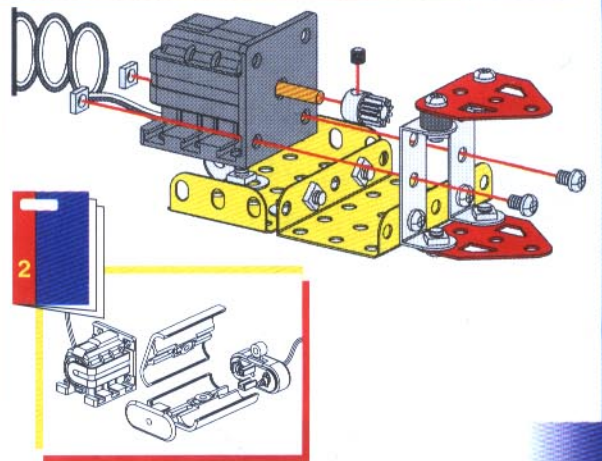
15 13+ 14+

-  x2
-  5.8 mm 15/64" x2



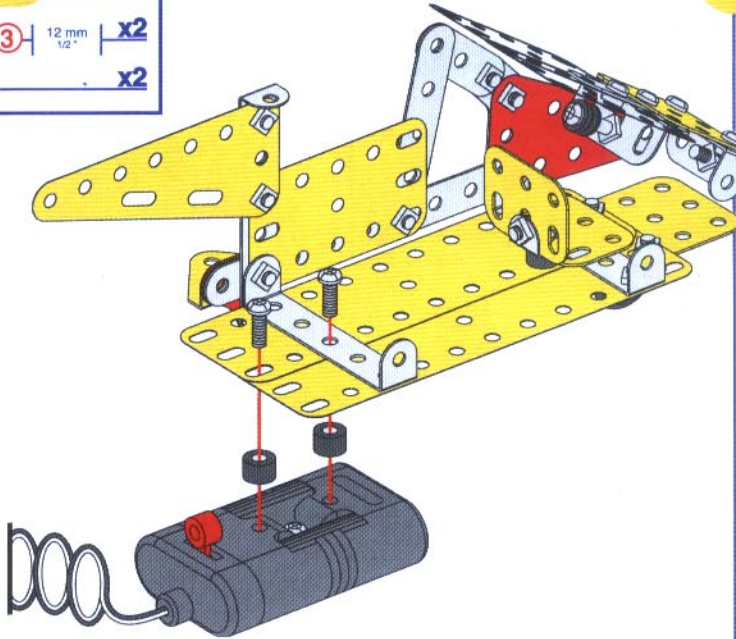
16 15+

-  x1  x1
-  x2
-  5.8 mm 15/64" x2
-  x1



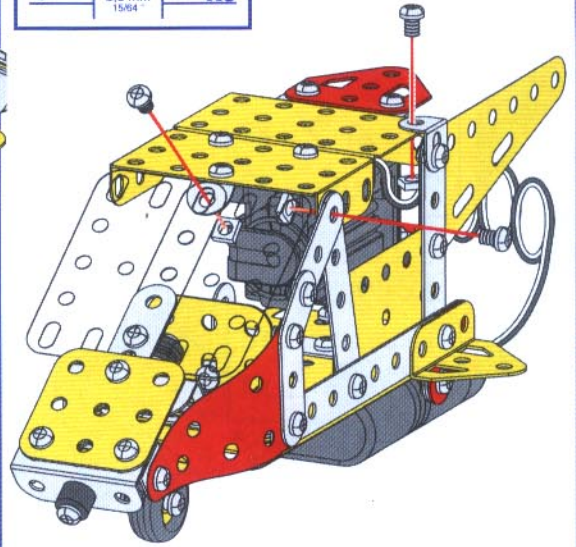
17 12+

- 3 | 12 mm | x2
- | 1/2" | x2



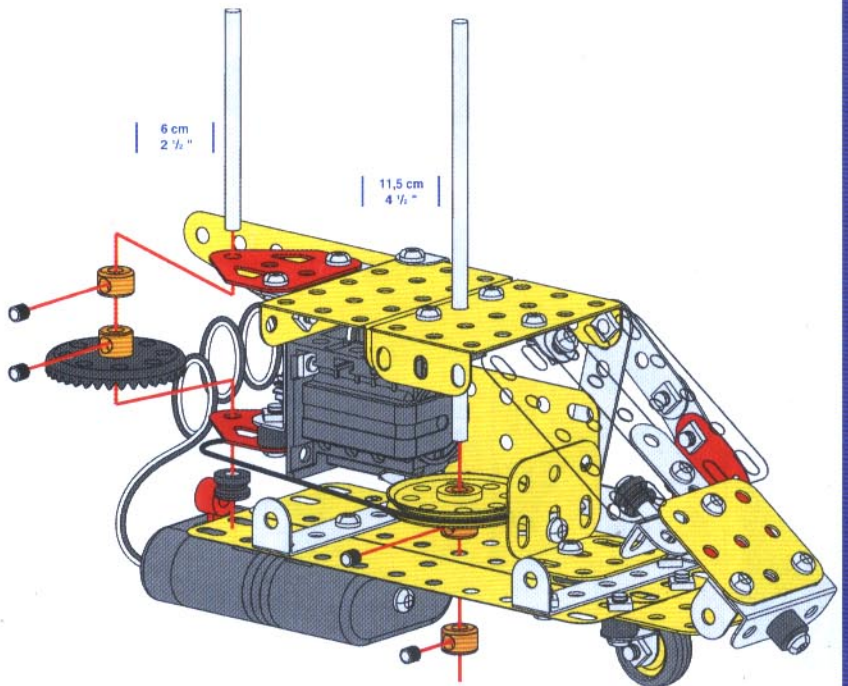
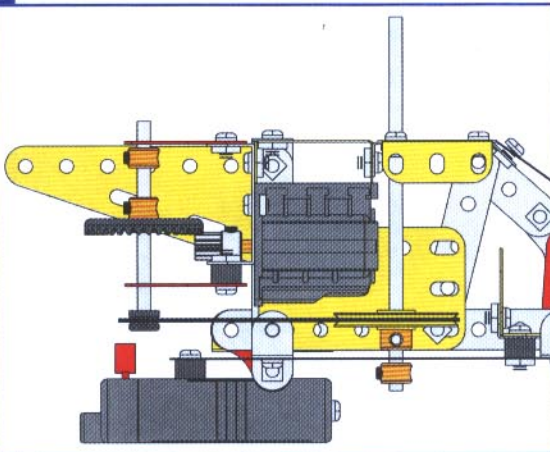
18 16+ 17+

- | x3
- | 5,8 mm | x3



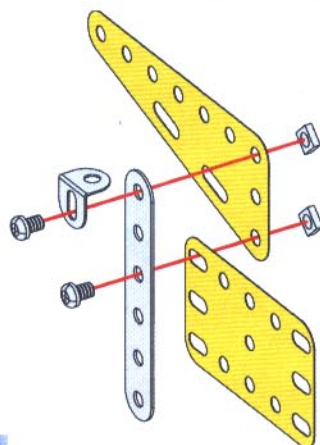
19 18+

- | 11,5 cm | x1
- | 6 cm | x1
- | x1
- | x1
- | x2
- | x1
- | x4



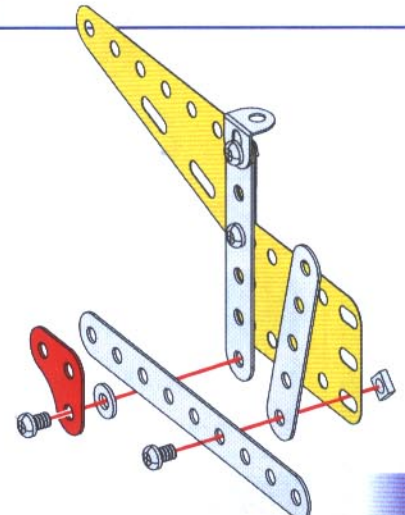
20

- | x1
- | x1
- | x1
- | x2
- | x1
- | 5,8 mm | x2










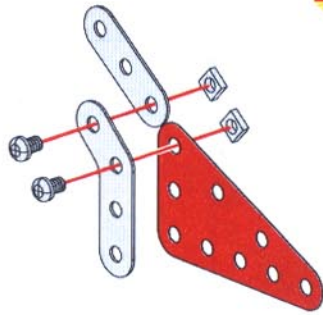
21 20+

- | x1
- | x1
- | x1
- | x1
- | x2
- | 5,8 mm | x2







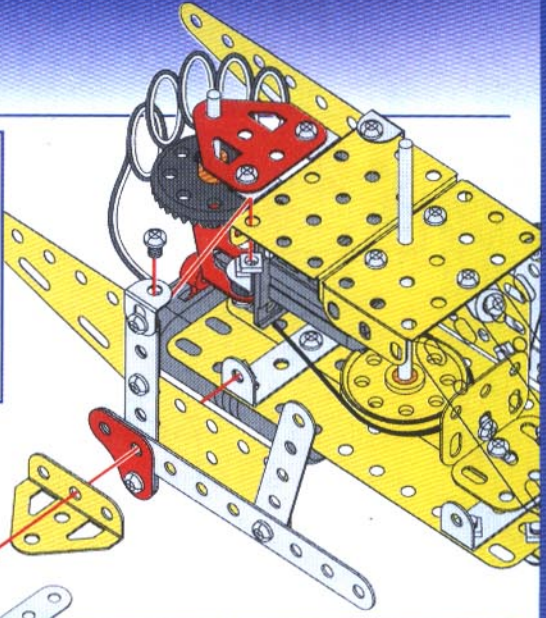
22

-  x1
-  x1
-  x1
-  x1
-  x2
-  x2
-  x2



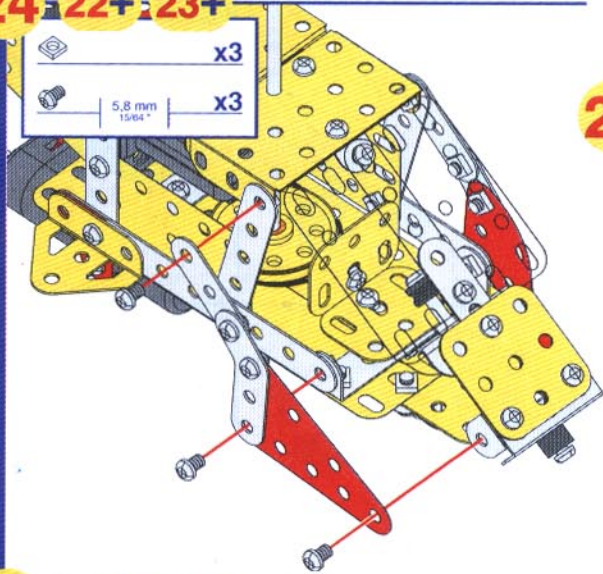
23 19+ 21+

-  x1
-  x2
-  x1
-  x1









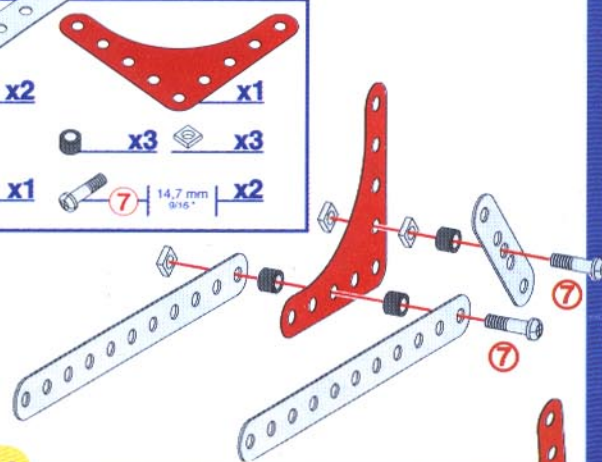
24 22+ 23+

-  x3
-  x3

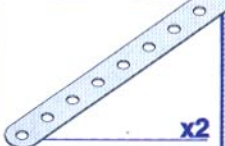




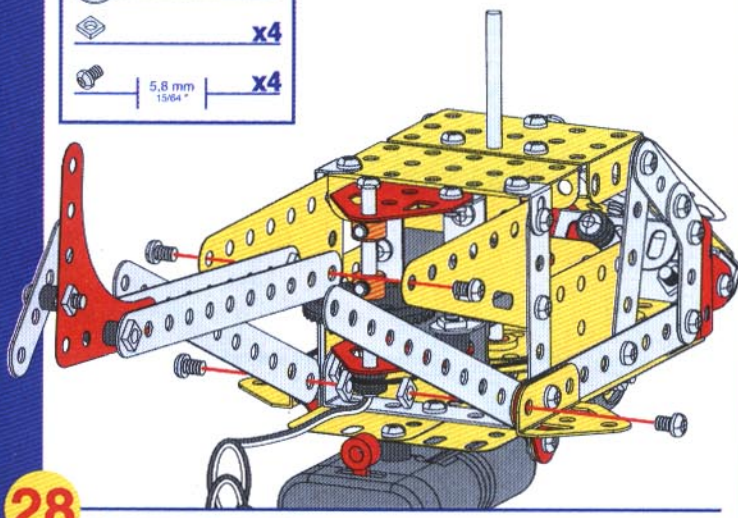
25

-  x2
-  x1
-  x3
-  x3
-  x1
-  x2



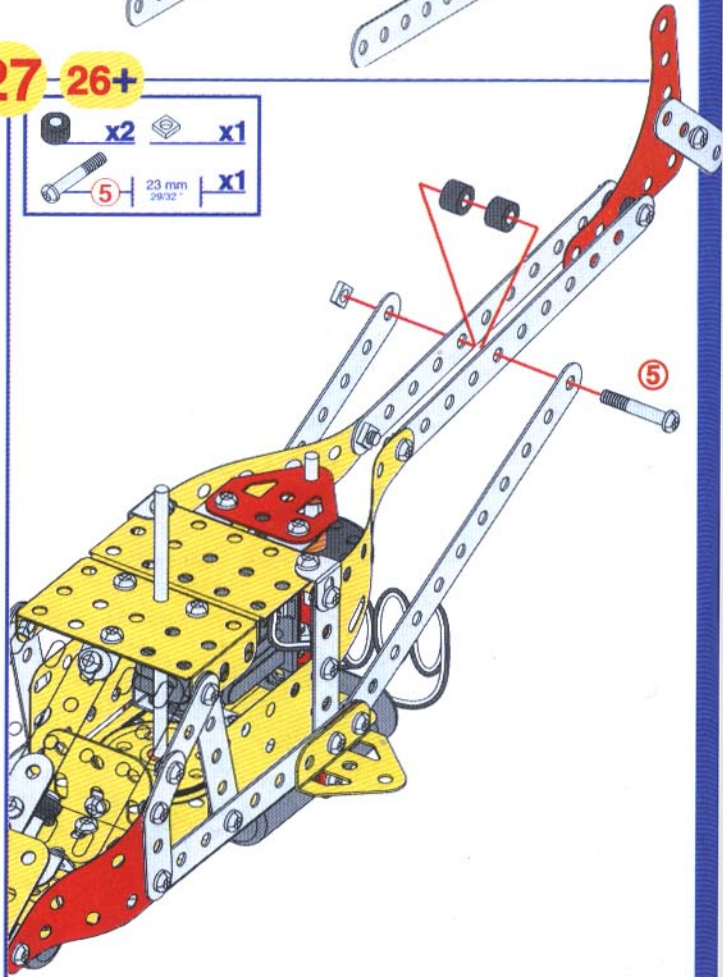
26 24+ 25+

-  x2
-  x4
-  x4



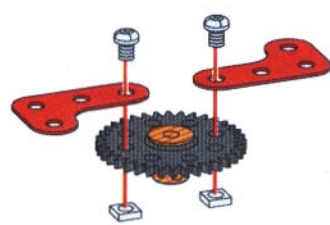
27 26+

-  x2
-  x1
-  x1

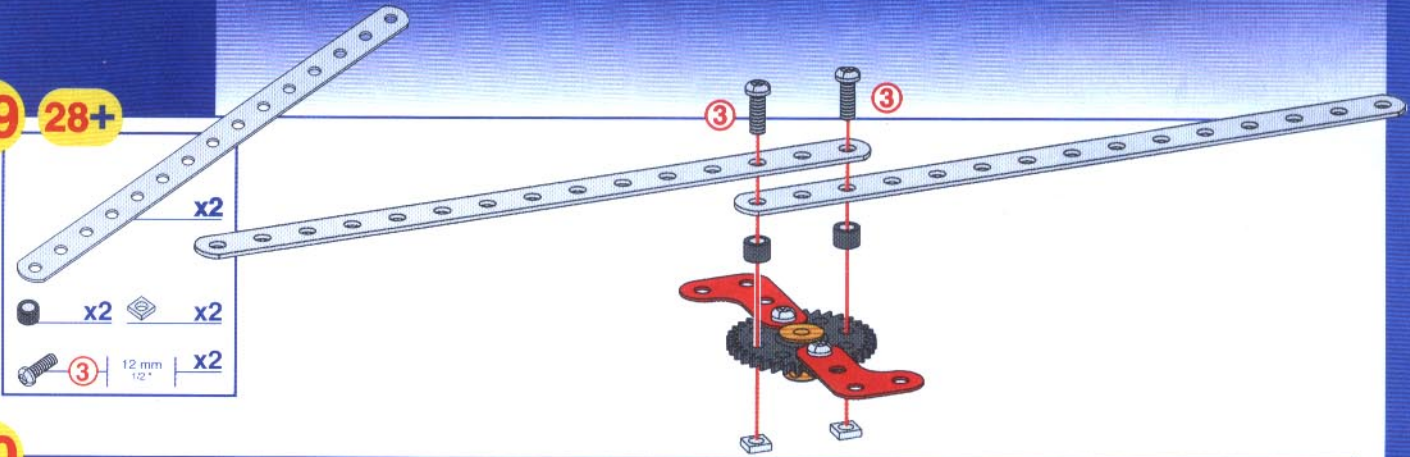


28

-  x2
-  x1
-  x2
-  x2

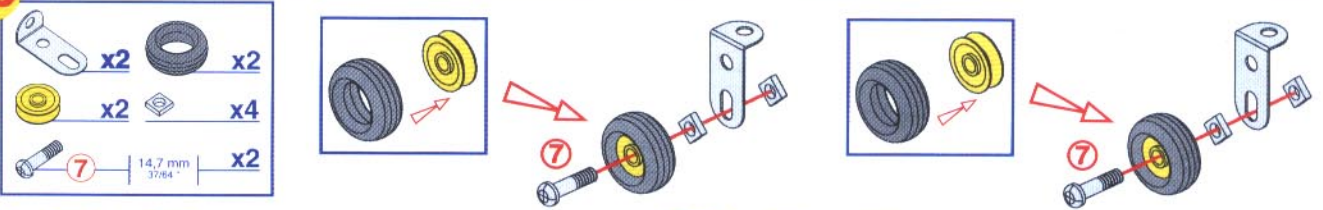


29 28+



- x2
- x2
- 12 mm 1/2" x2

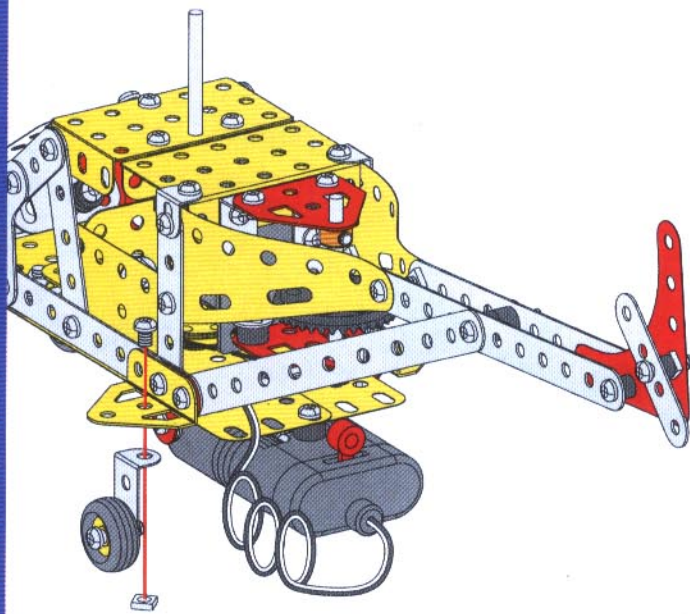
30



- x2
- x2
- x2
- x4
- 14.7 mm 37/64" x2

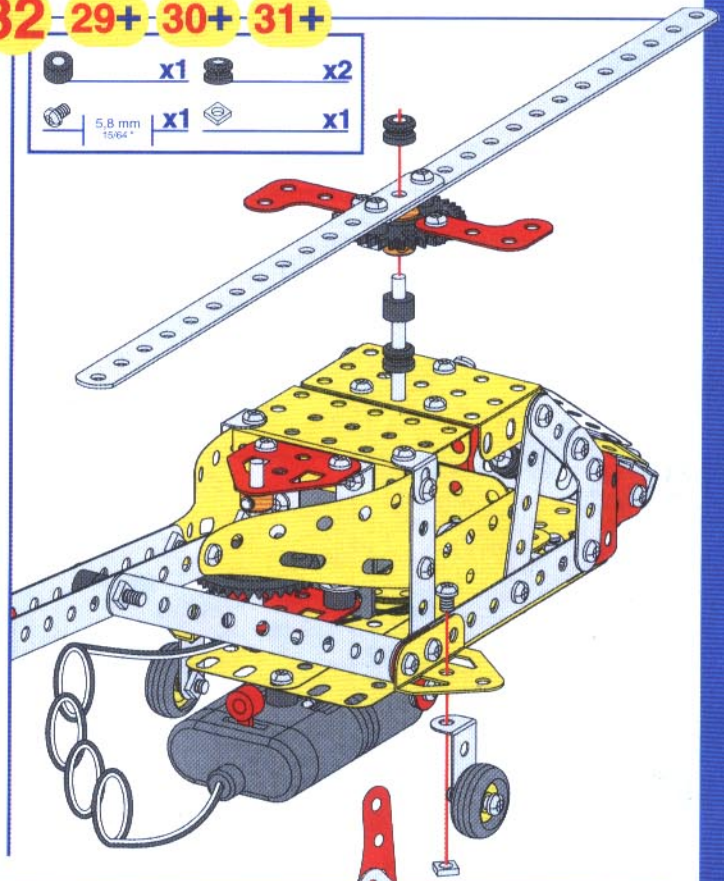
31 27+ 30+

- x1
- 5.8 mm 15/64" x1

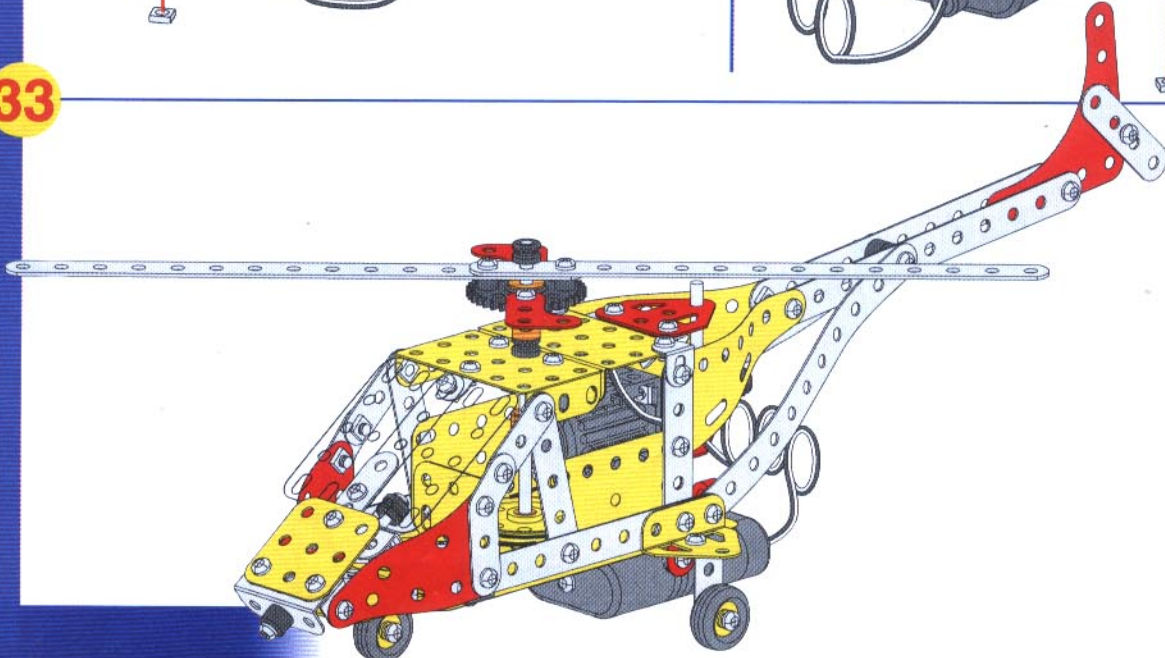


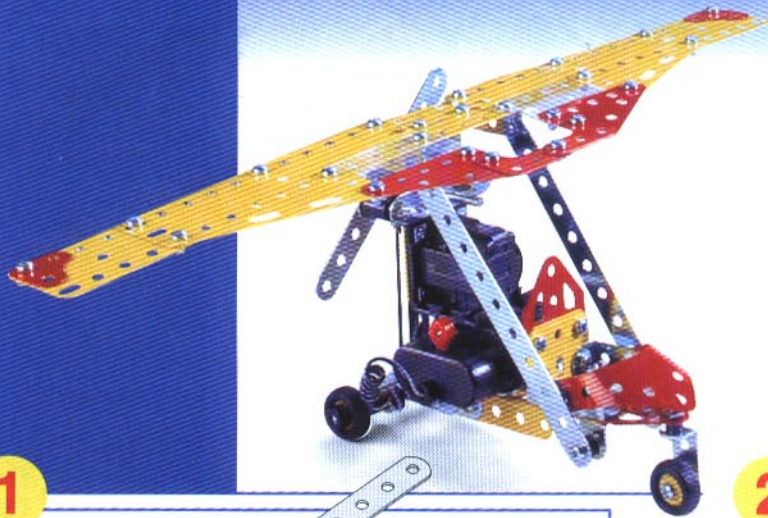
32 29+ 30+ 31+

- x1
- x2
- 5.8 mm 15/64" x1
- x1

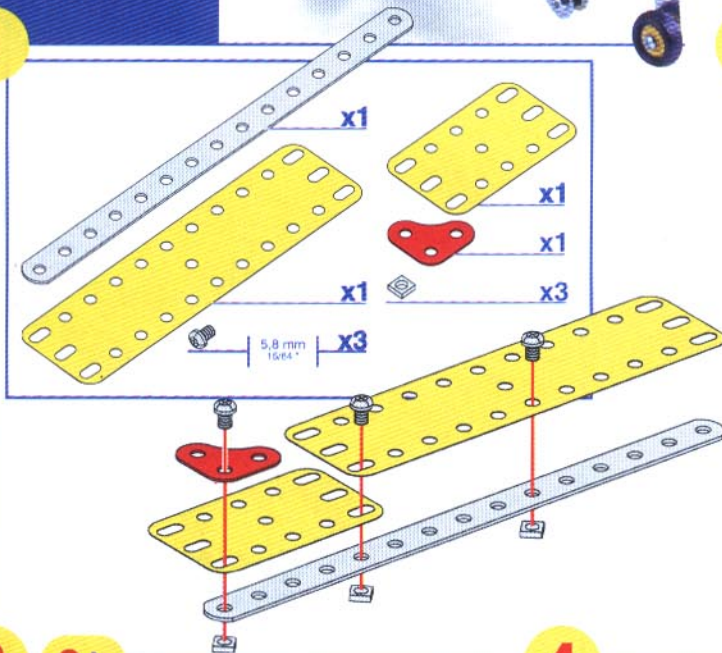


33

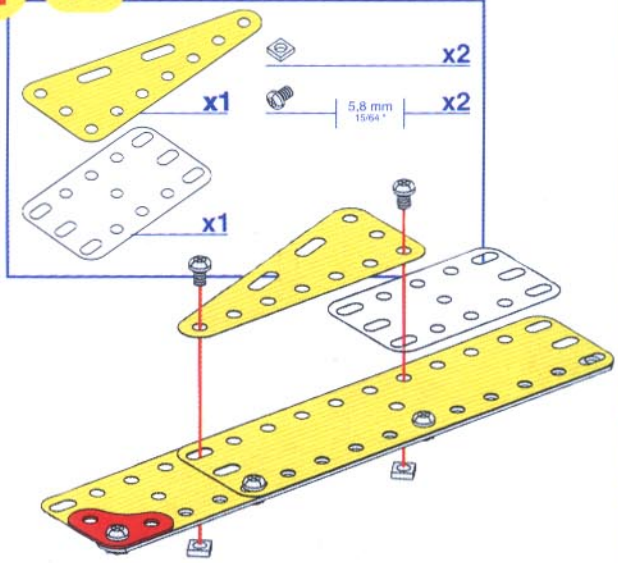




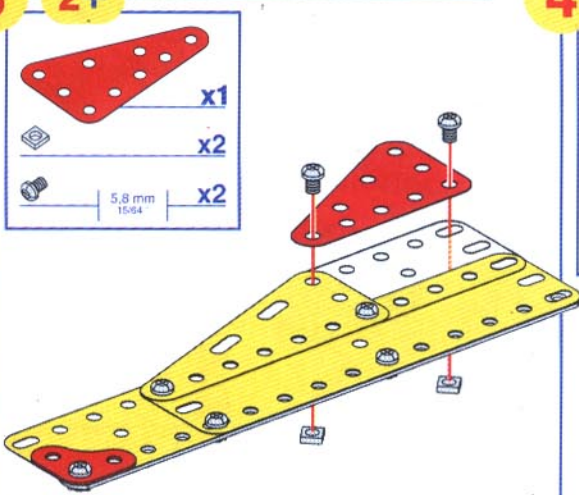
1



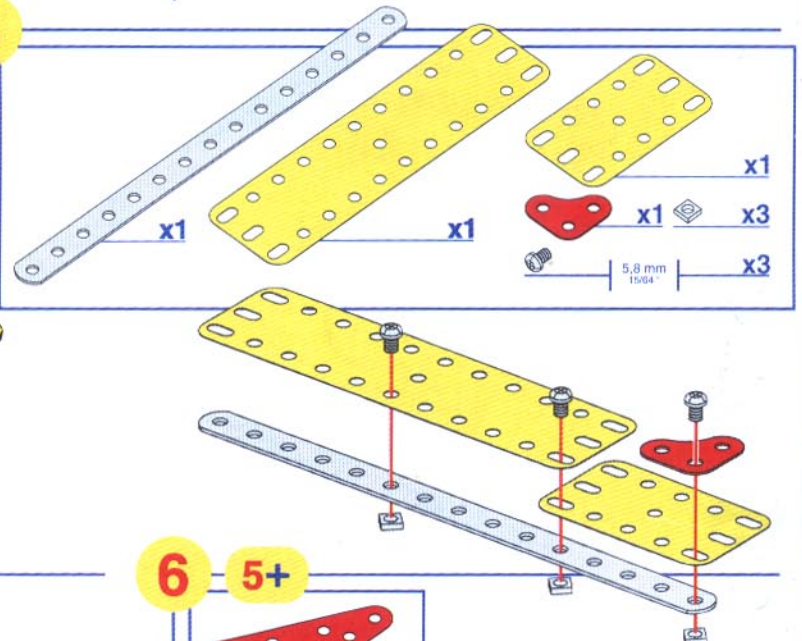
2 1+



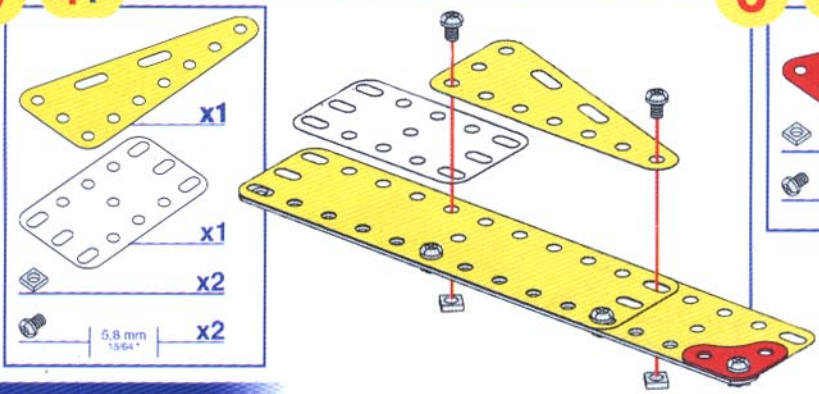
3 2+



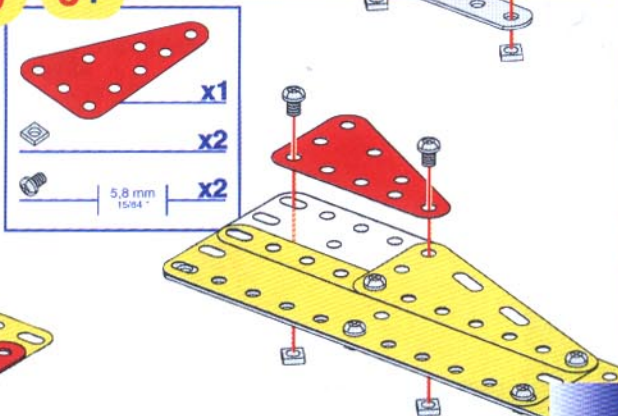
4



5 4+



6 5+



7 **3+** **6+**

- x2
- x3
- 5,8 mm 15/64" x3

8 **7+**

- x1
- x1
- x6
- 9,5 mm 3/8" x2
- 5,8 mm 15/64" x4

9

- x1
- x1
- x1
- x1
- x4
- 12 mm 1/2" x1
- 5,8 mm 15/64" x3
- 3

10 **9+**

- x2
- 7 14,7 mm 5/8" x1

11 **10+**

- x1
- x1
- x2
- 7 14,7 mm 5/8" x1

12

- x2
- x1
- x1
- x2
- x4
- 5,8 mm 15/64" x4

13 **11+** **12+**

- x1
- x2
- 5,8 mm 15/64" x2

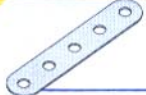




14 **13+**

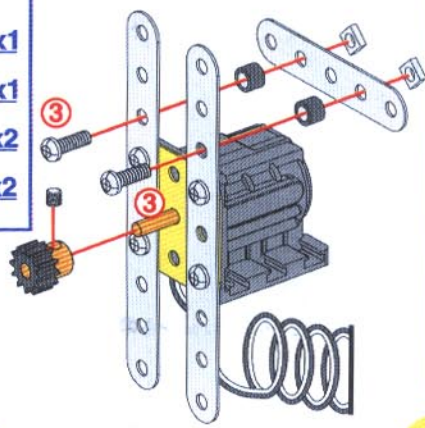
- x1
- x2
- 5,8 mm 15/64" x2

15





- x2
- x1
- 5,8 mm 15/64" x4
- x4
- x1

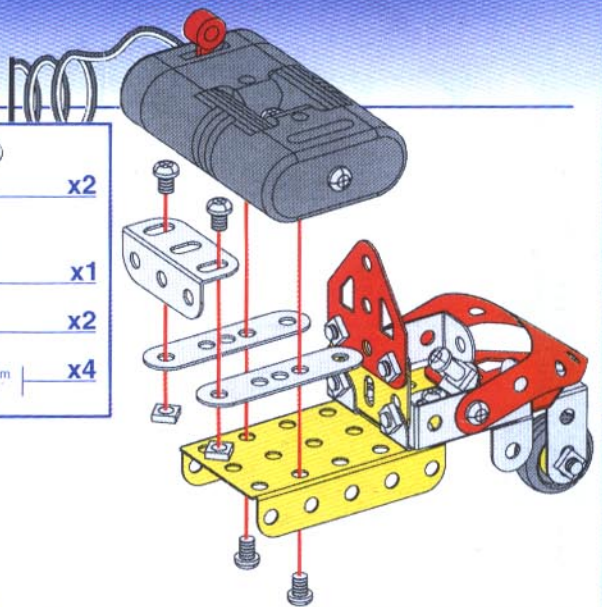
16

-  x1
-  x1
-  x2
-  x2
-  12 mm | 1/2" | x2



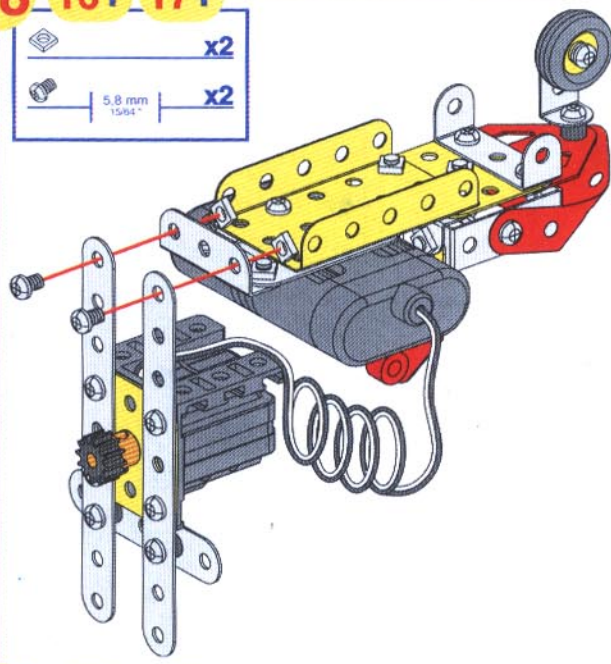
17 14+

-  x2
-  x1
-  x2
-  5.8 mm | 15/64" | x4

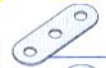





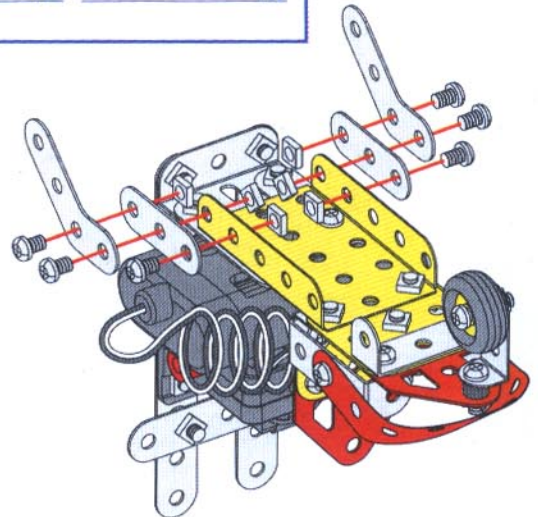
18 16+ 17+

-  x2
-  5.8 mm | 15/64" | x2



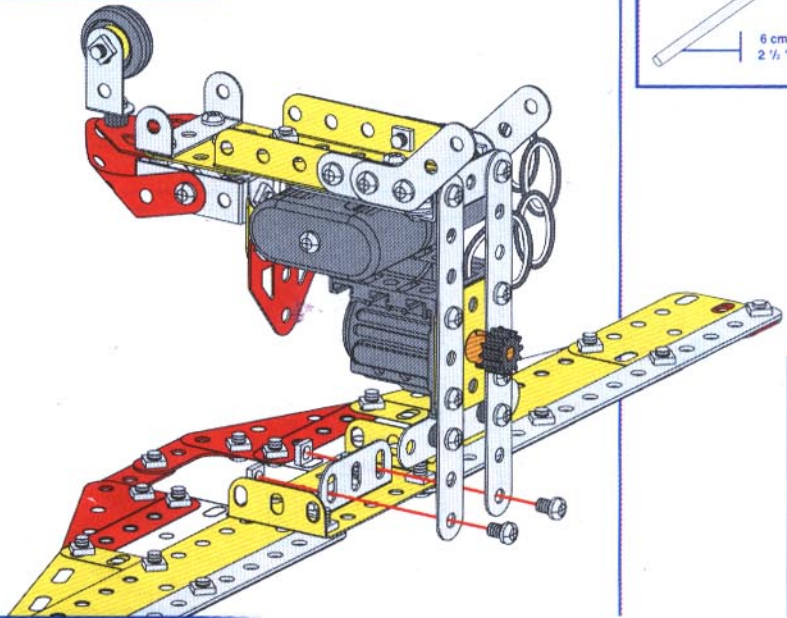
19 18+

-  x2
-  5.8 mm | 15/64" | x6
-  x2
-  x6




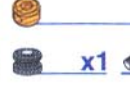





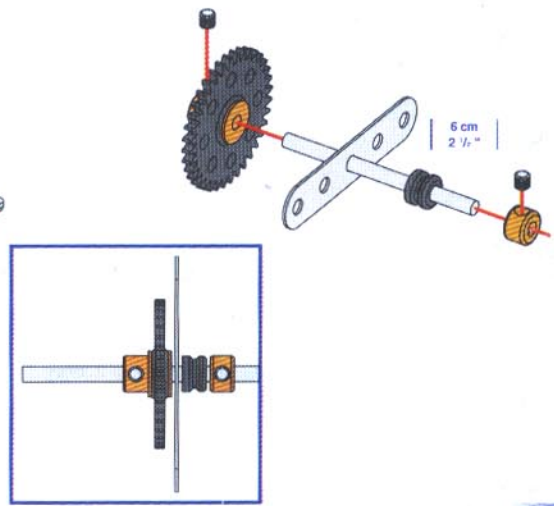
20 8+ 19+

-  x2
-  5.8 mm | 15/64" | x2







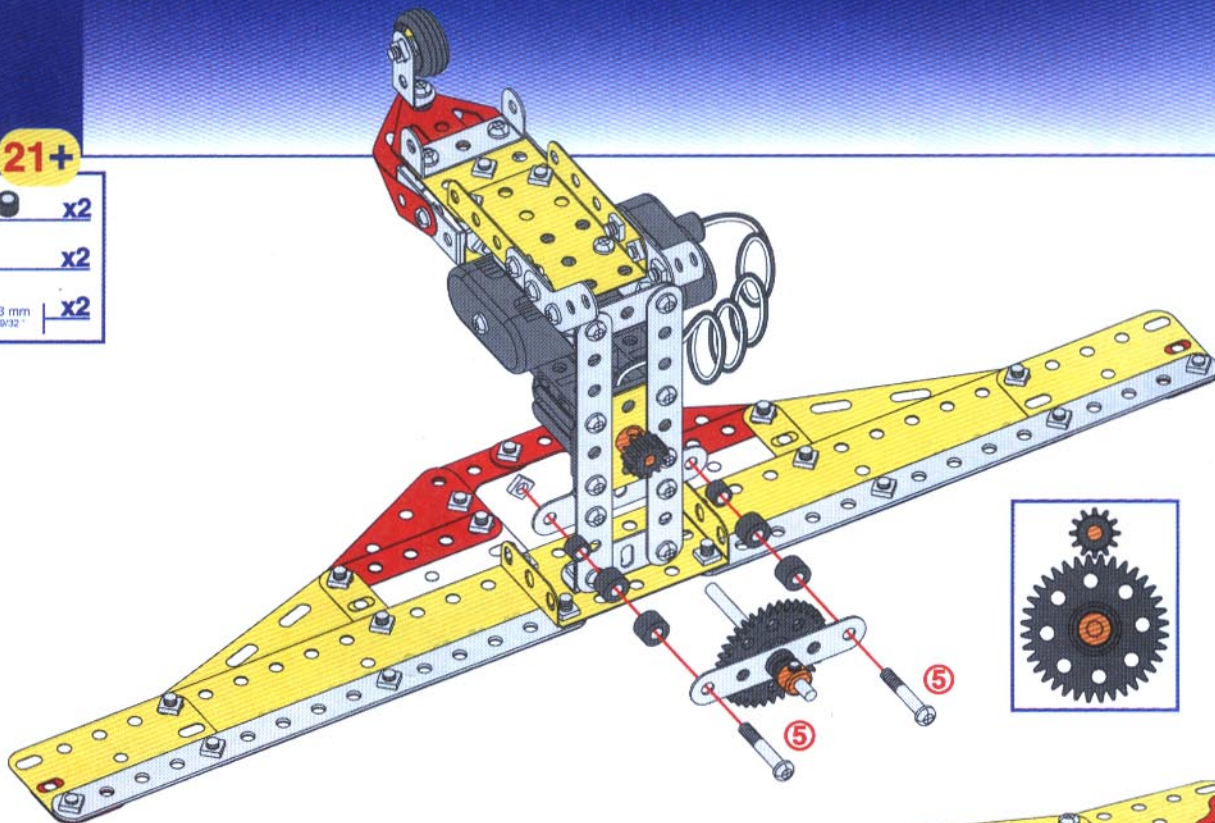
21

-  x1
-  6 cm | 2 1/4" | x1
-  x1
-  x1
-  x1
-  x1
-  x2









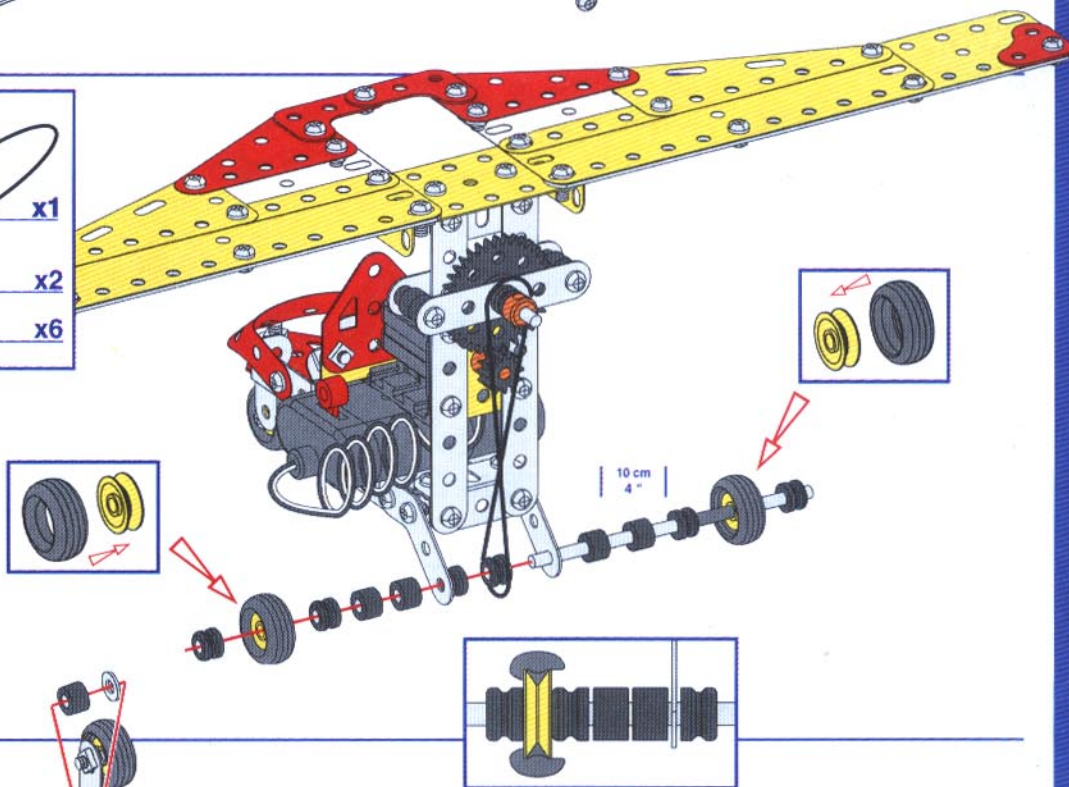
22 20+ 21+

-  x4  x2
-  x2
-  (5) 23 mm 29/32" x2









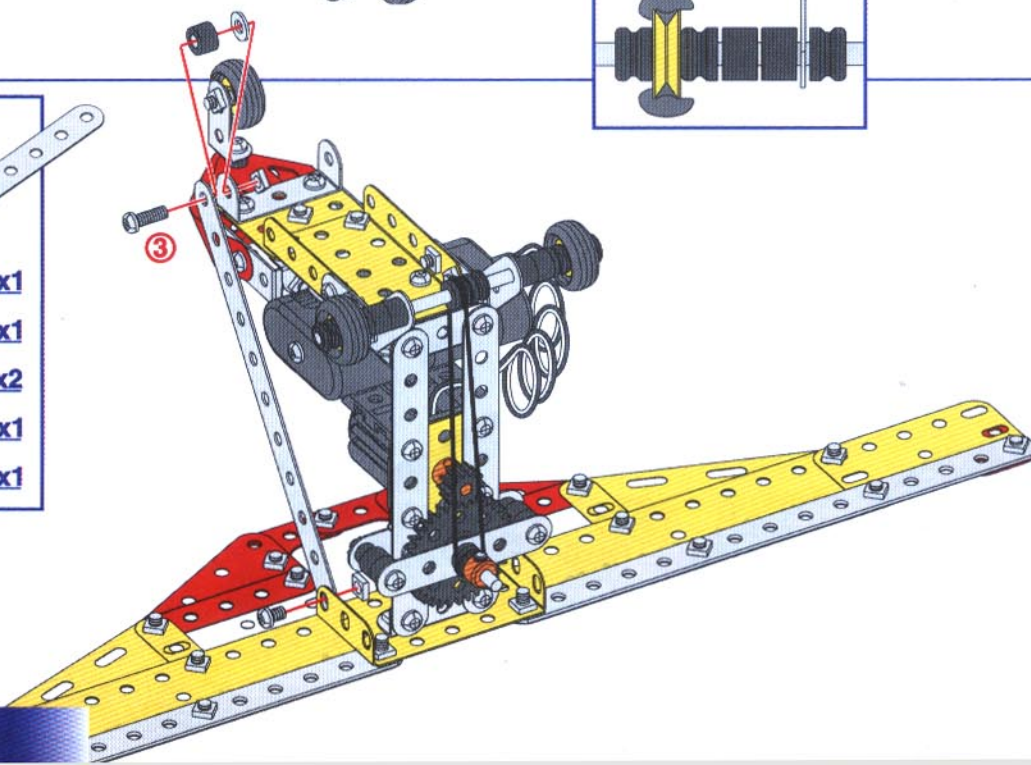
23 22+

-  10 cm 4" x1
-  x2
-  x4
-  x1
-  x2
-  x6

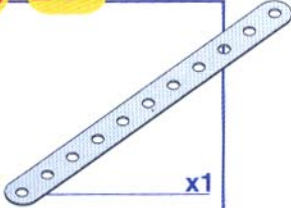







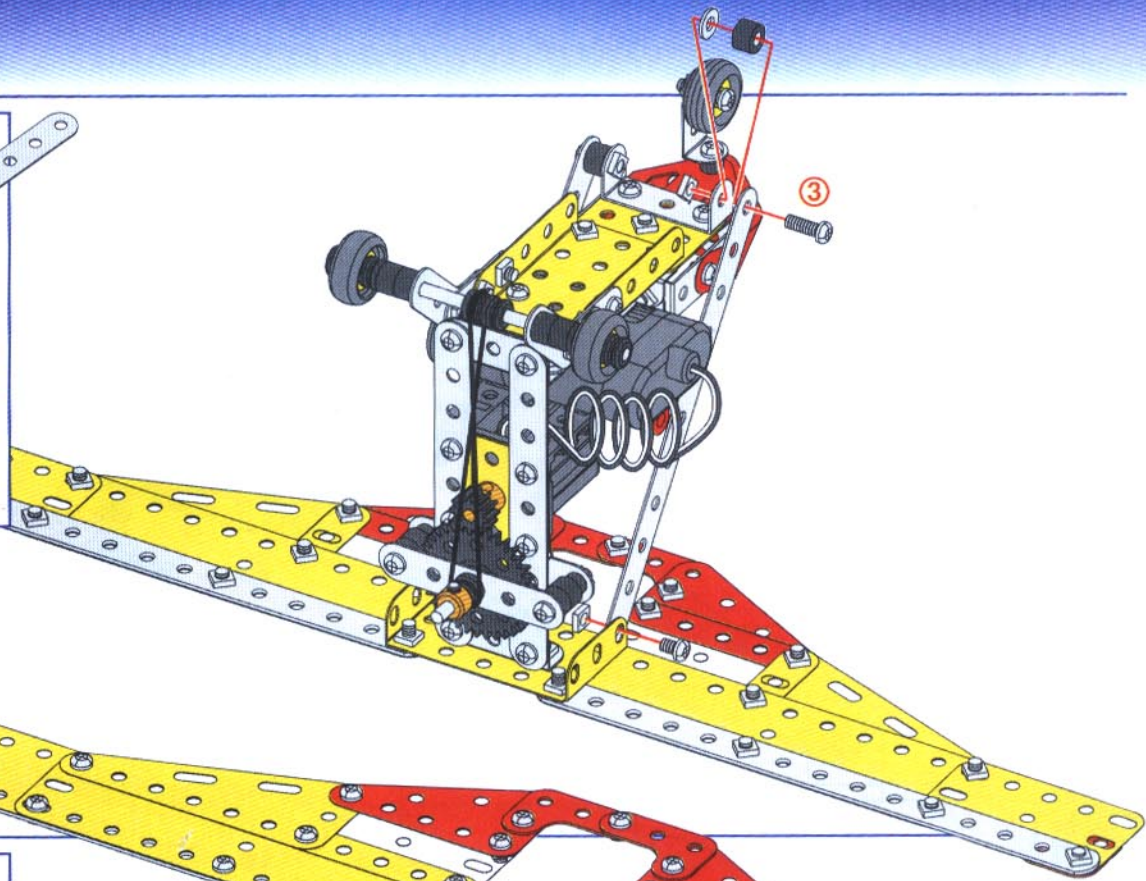
24 23+

-  x1
-  x1
-  x1
-  x2
-  (3) 12 mm 1/2" x1
-  5,8 mm 15/64" x1

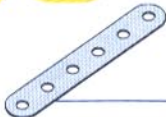





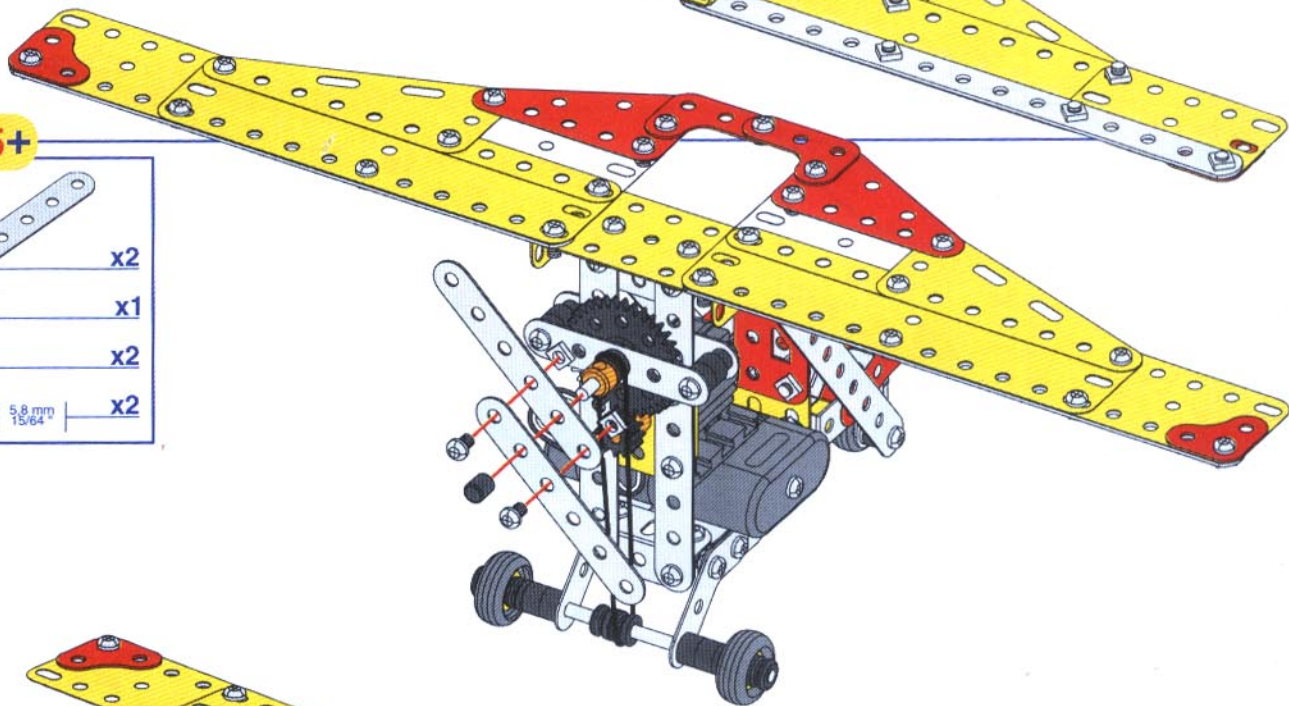
25 24+

-  x1
-  x1
-  x1  x2
-  ③ 12 mm 1/2" x1
-  5.8 mm 15/64" x1

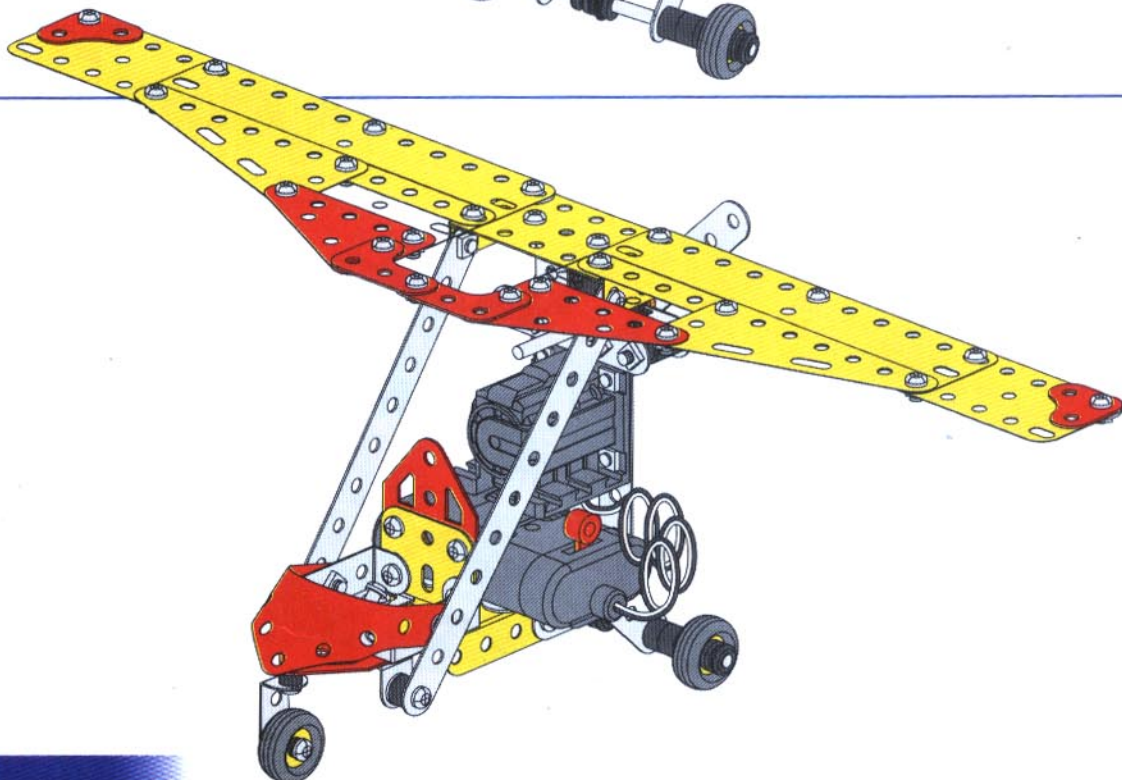


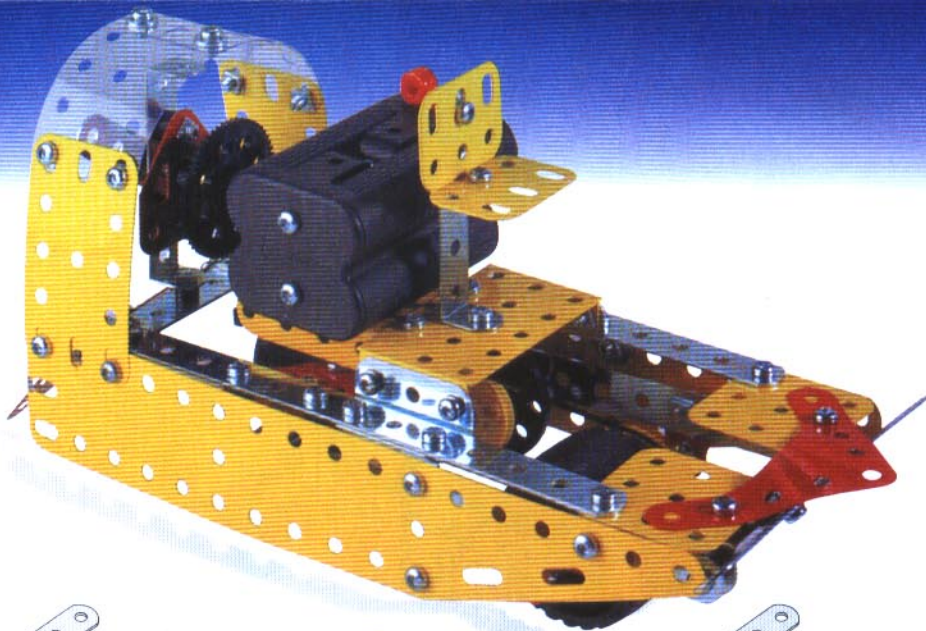
26 25+

-  x2
-  x1
-  x2
-  5.8 mm 15/64" x2

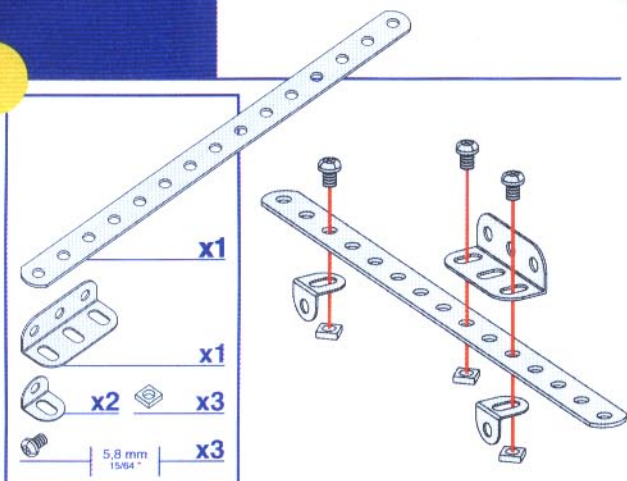


27

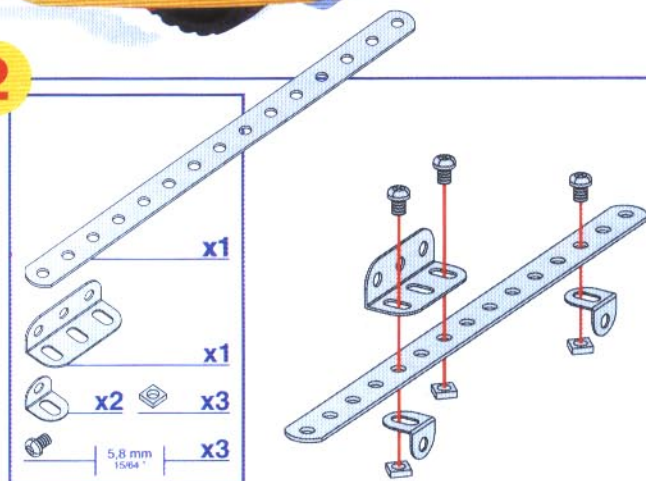




1

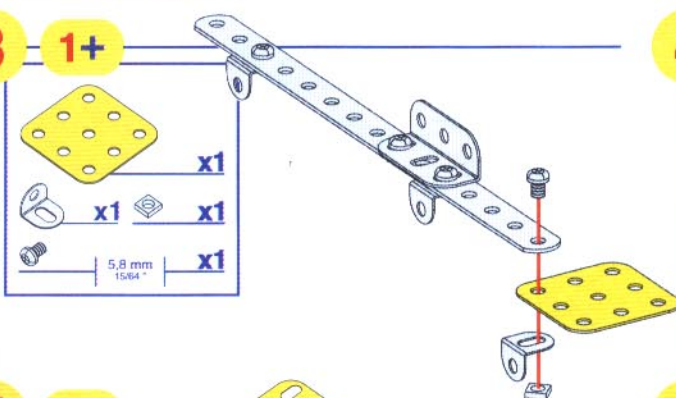


2



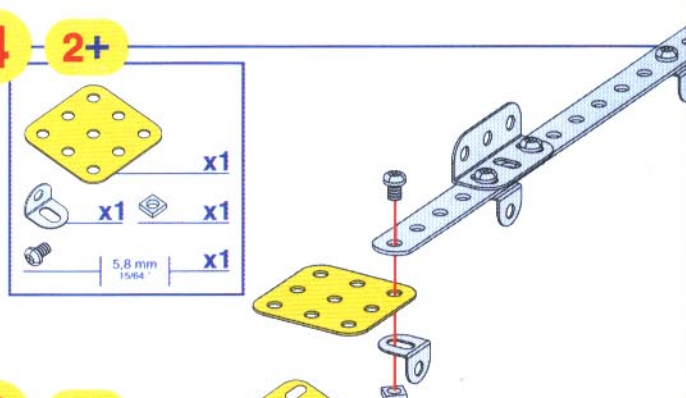
3

1+



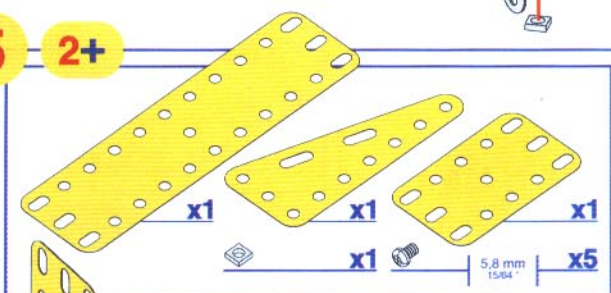
4

2+



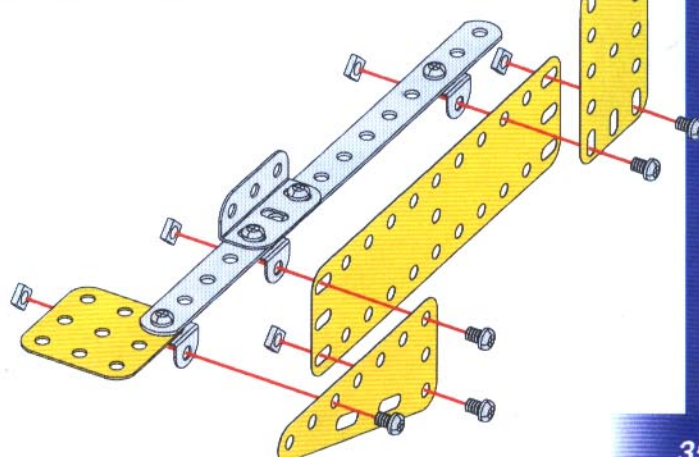
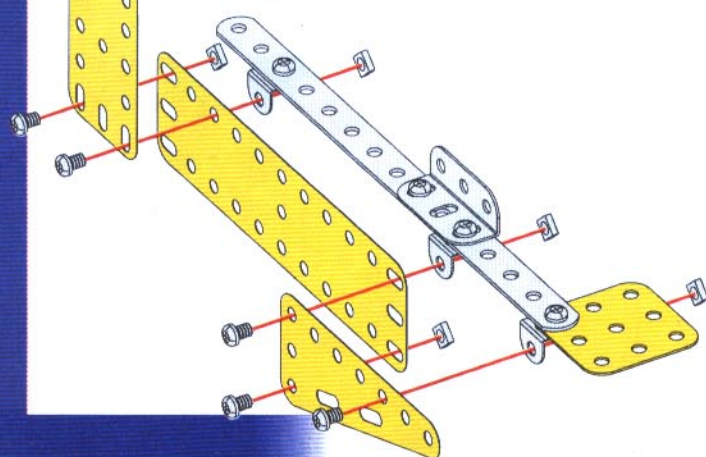
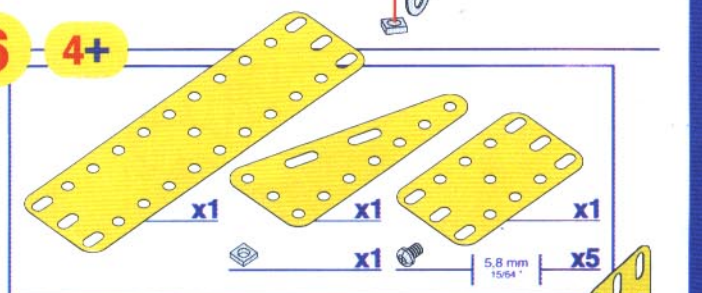
5

2+

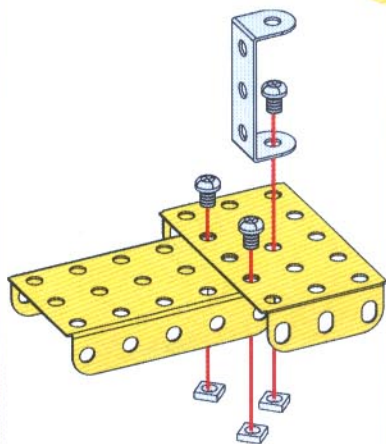
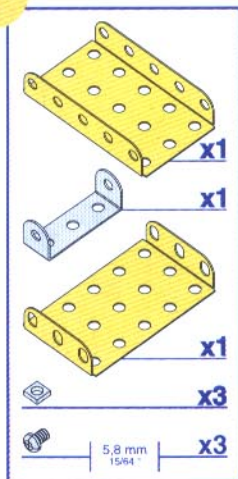


6

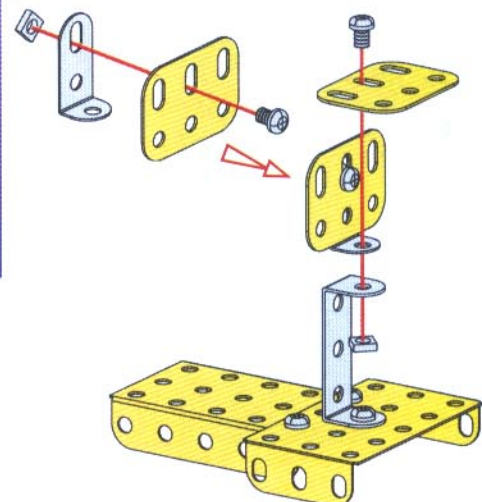
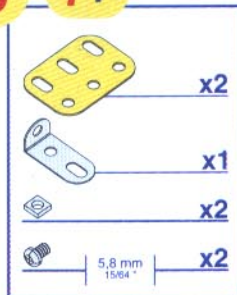
4+



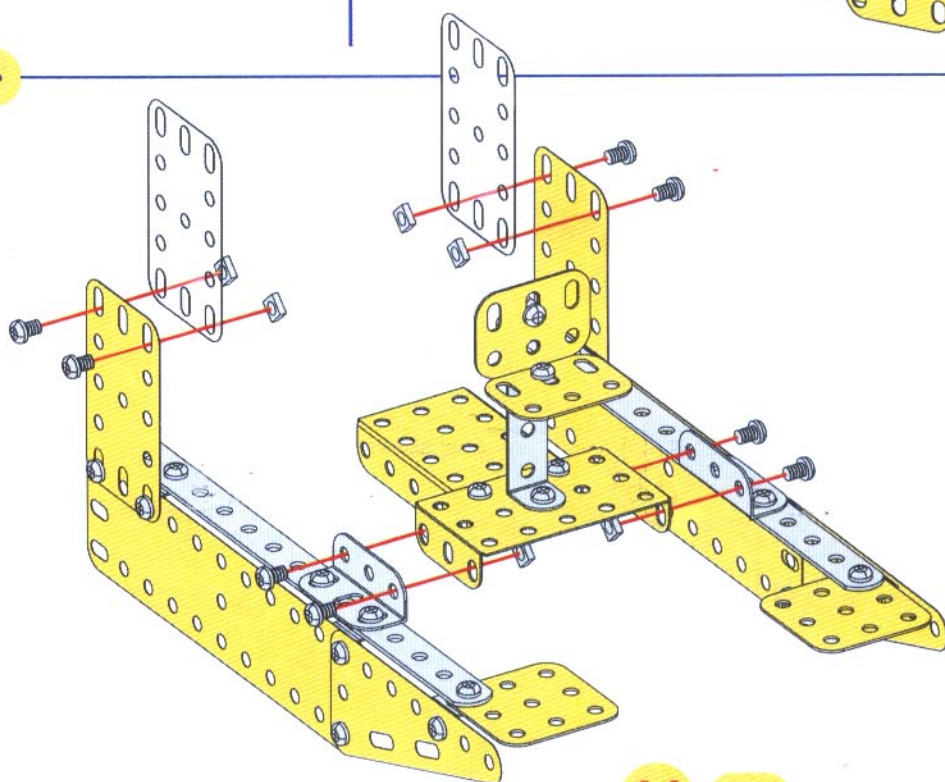
7



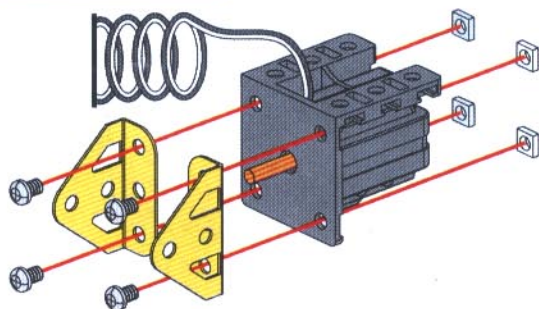
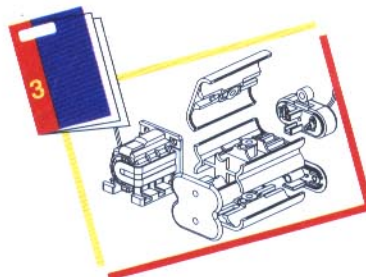
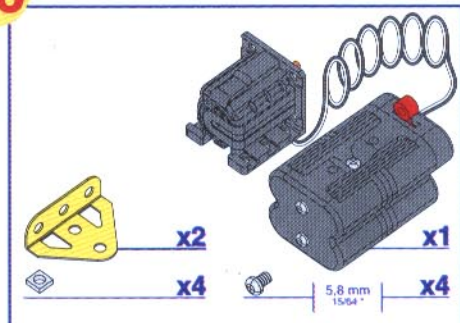
8 7+



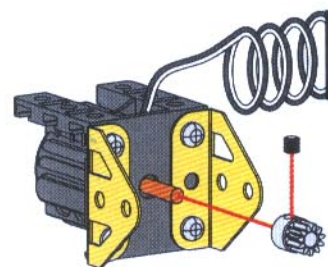
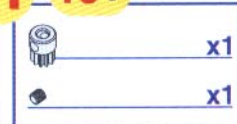
9 3+ 6+ 8+



10

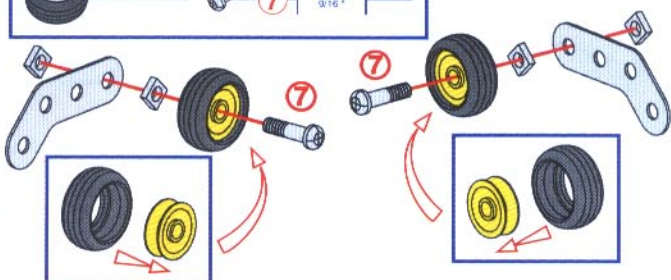


11 10+



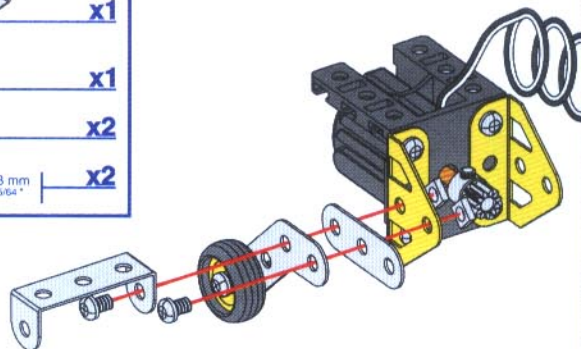
12

- x2
- x2
- x2
- x4
- x2
- x2
- 14,7 mm $\frac{9}{16}$ "
- x2



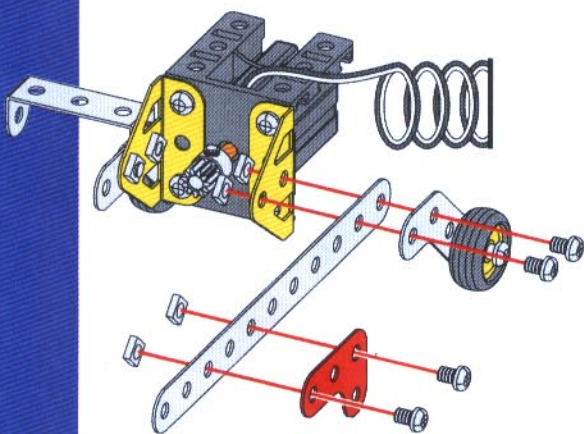
13 11+ 12+

- x1
- x1
- x2
- x2



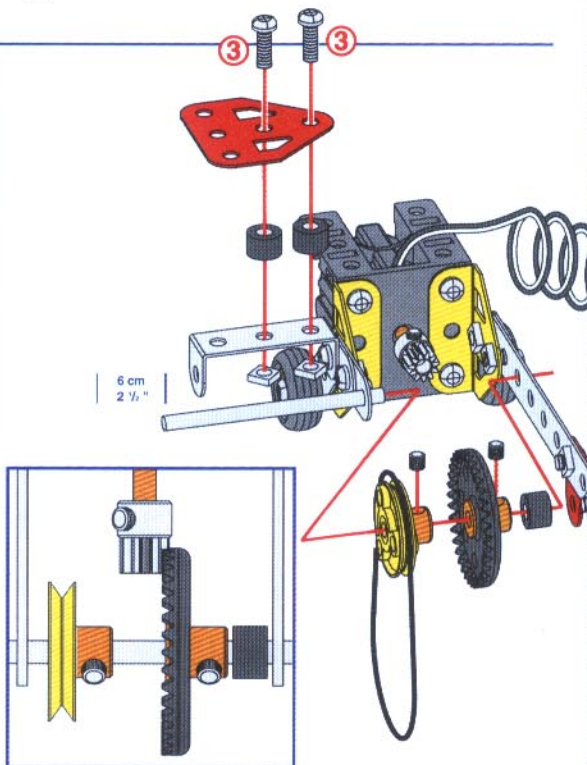
14 12+ 13+

- x1
- x1
- x4
- x1
- x4



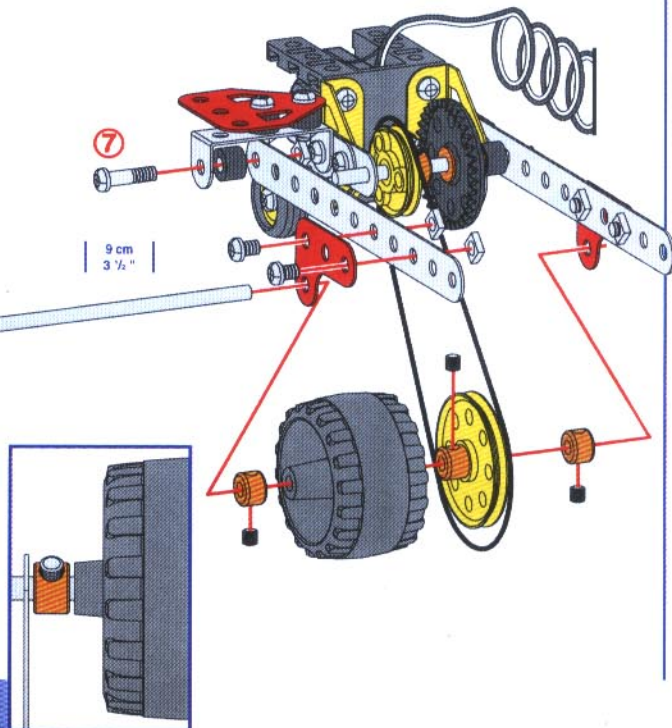
15 14+

- x1
- x1
- x1
- x1
- x1
- x2
- x2
- x3
- x2



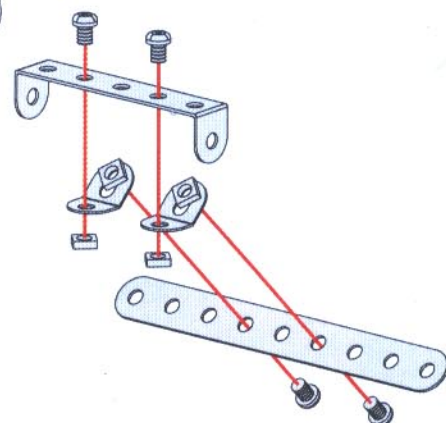
16 15+

- x1
- x1
- x1
- x1
- x1
- x1
- x2
- x3
- x3
- x1
- x2










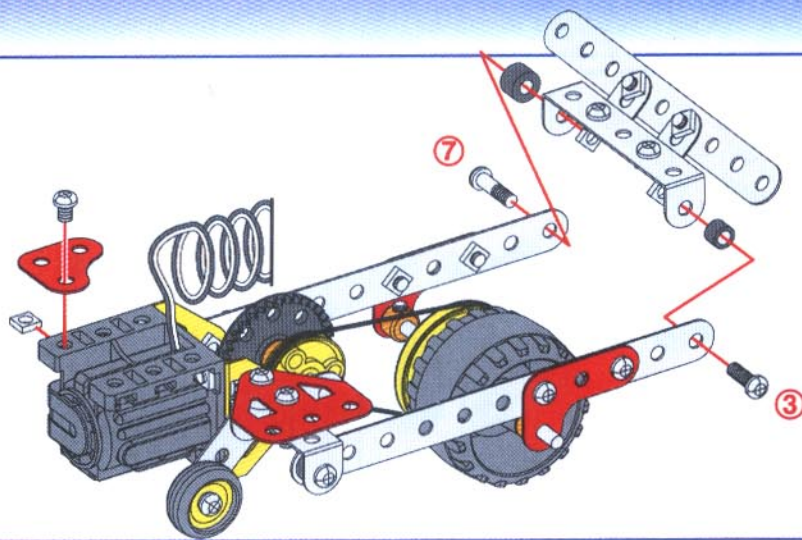
17

- x1
- x2
- x4
- x4



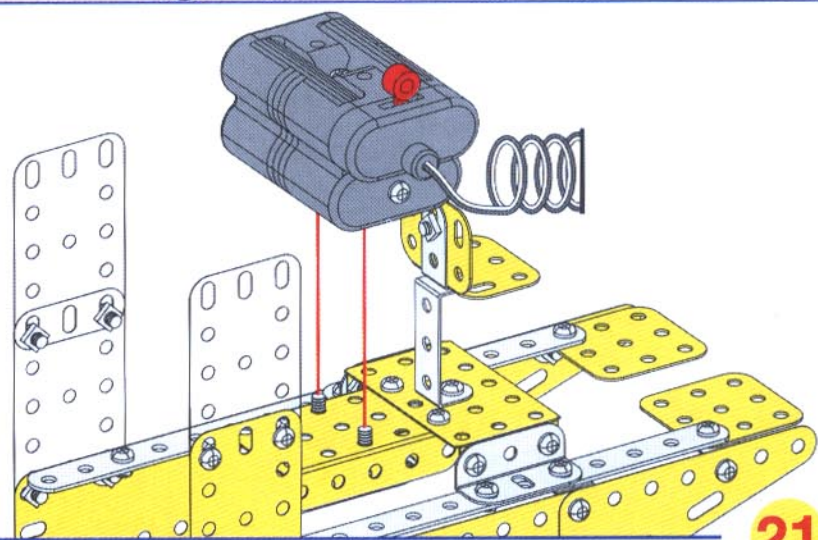
18 16+ 17+

-  x1
-  x1
-  x1  x3
-  14,7 mm 9/16 x1
-  12 mm 1/2" x1
-  5,8 mm 15/64" x1









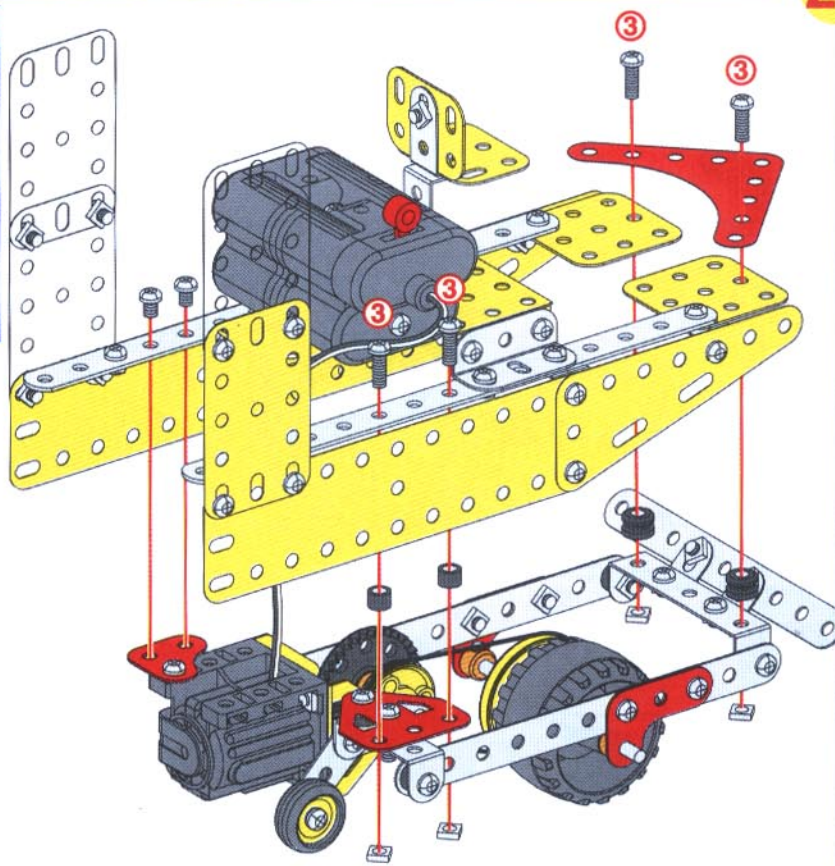
19 9+

-  5,8 mm 15/64" x2

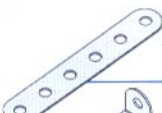
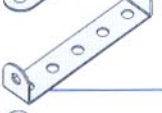







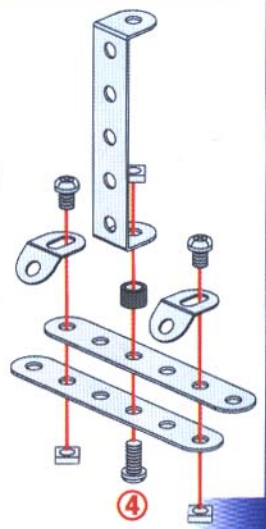
20 18+ 19+

-  x1
-  x2  x6
-  x2
-  12 mm 1/2" x4
-  5,8 mm 15/64" x2



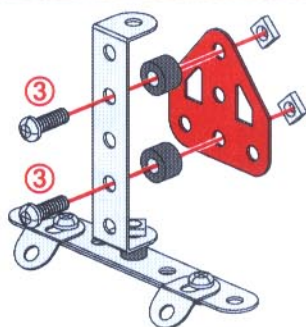
21

-  x2
-  x1
-  x2
-  x1  x3
-  9,5 mm 3/8" x1
-  5,8 mm 15/64" x2






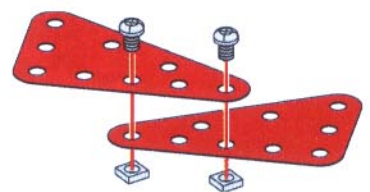
22 21+

-  x1
-  x2
-  x2
-  (3) 12 mm 1/2" x2



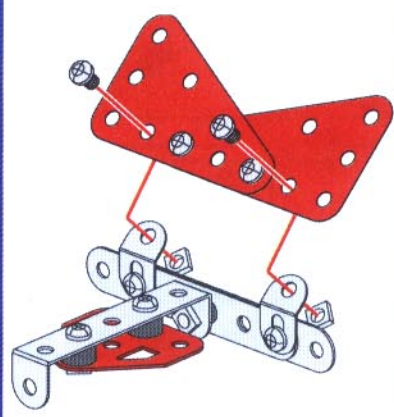
23

-  x2
-  x2
-  5,8 mm 15/64" x2



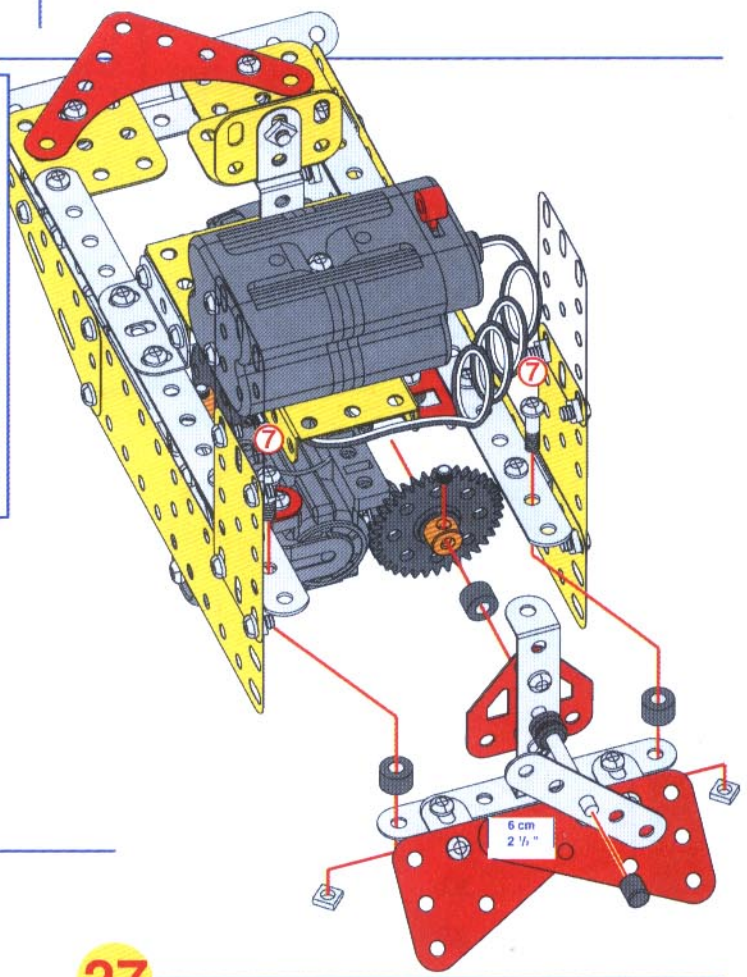
24 22+ 23+

-  x2
-  5,8 mm 15/64" x2



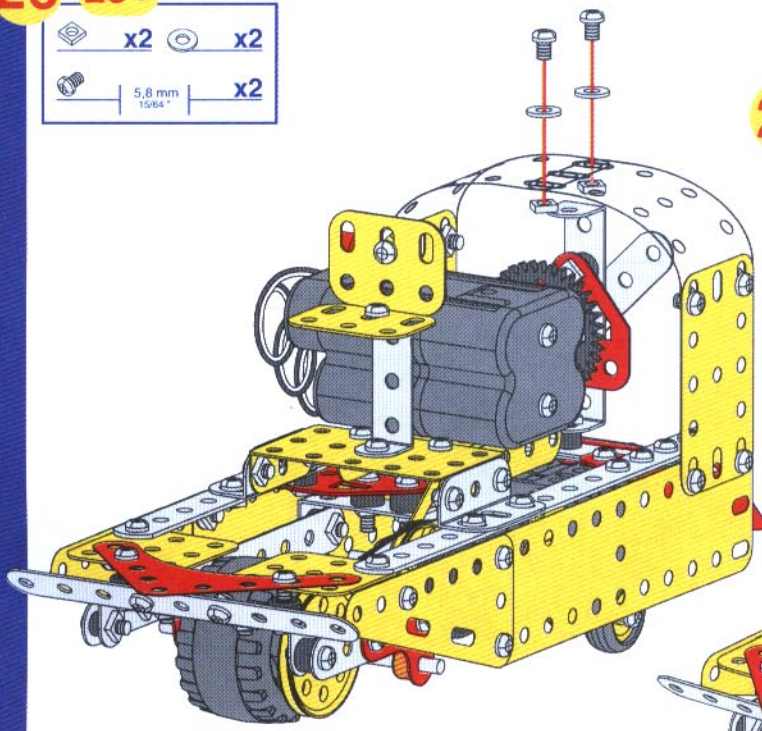
25 20+ 24+

-  x1
-  6 cm 2 1/2" x1
-  x1
-  x3
-  x1
-  x1
-  x1
-  x2
-  (7) 14,7 mm 37/64" x2

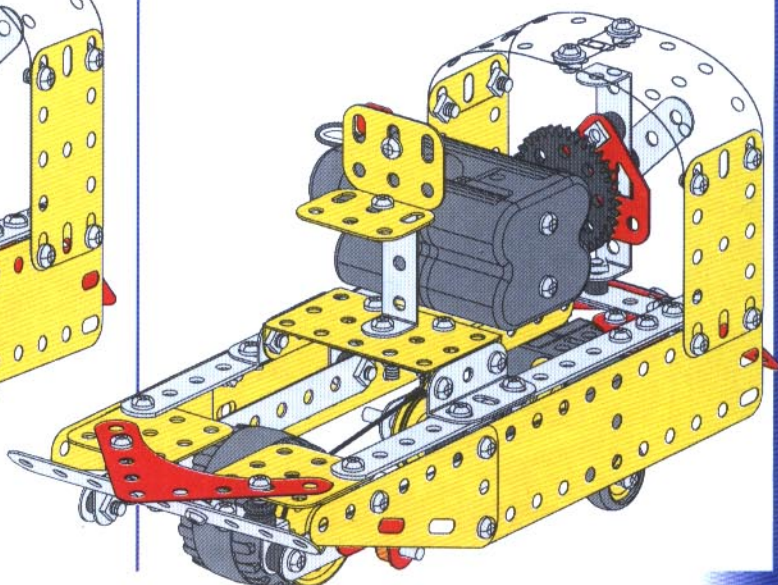


26 25+

-  x2
-  x2
-  5,8 mm 15/64" x2

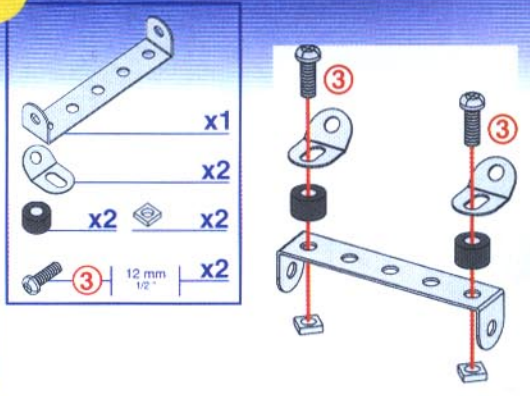


27

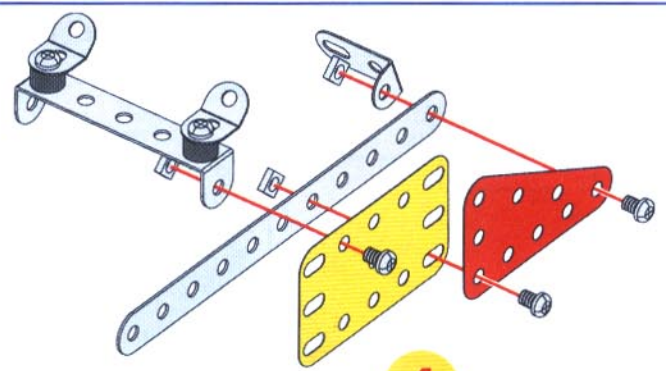
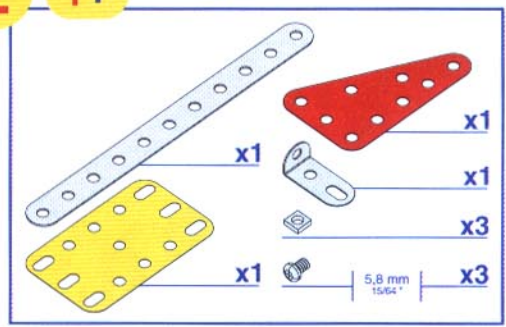




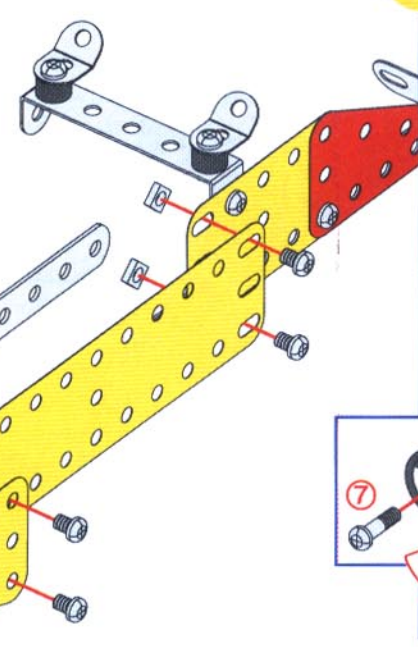
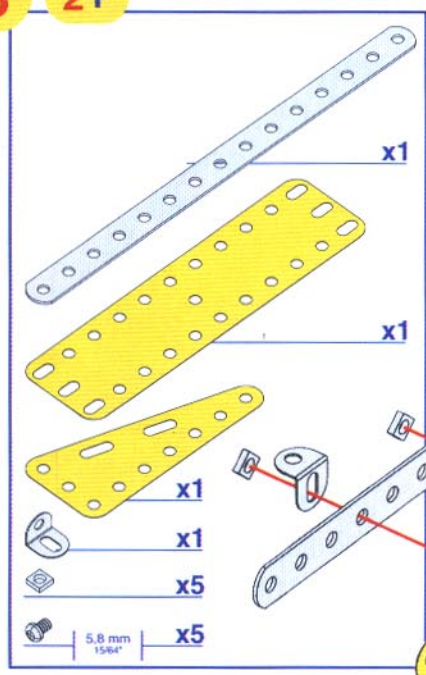
1



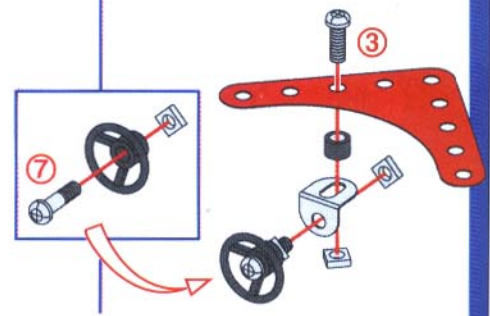
2 1+



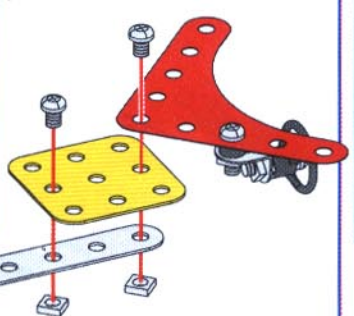
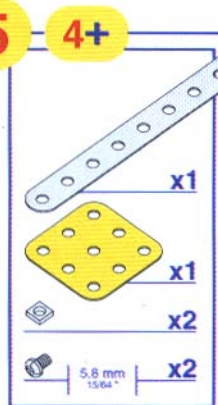
3 2+



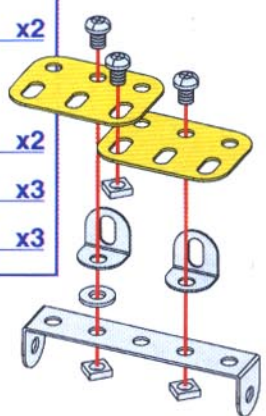
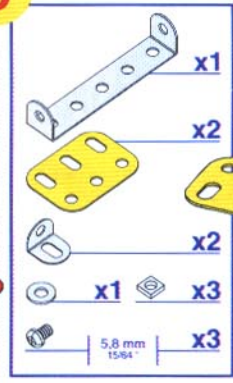
4



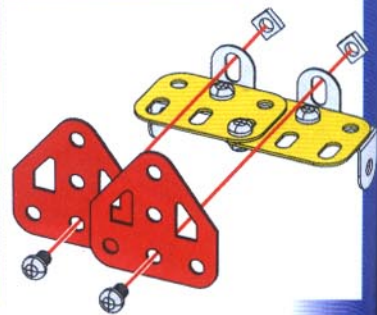
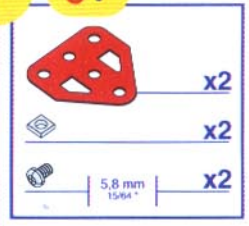
5 4+



6

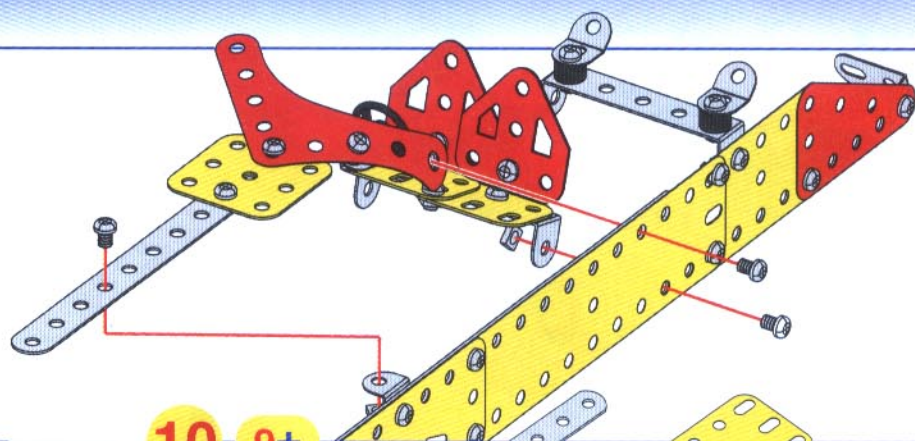


7 6+



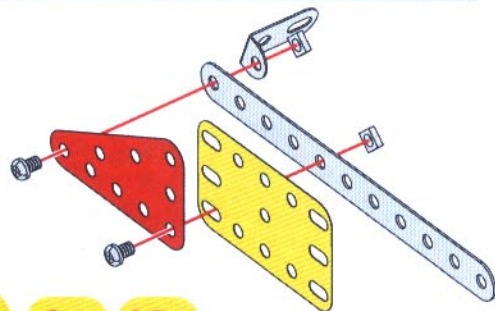
8 3+ 5+ 7+

	x3
	x3



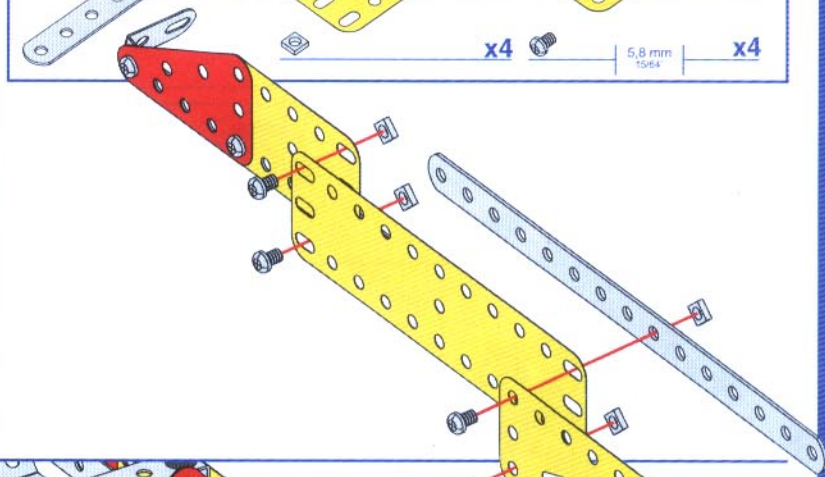
9

	x1		x1
	x1		x1
	x2		x2



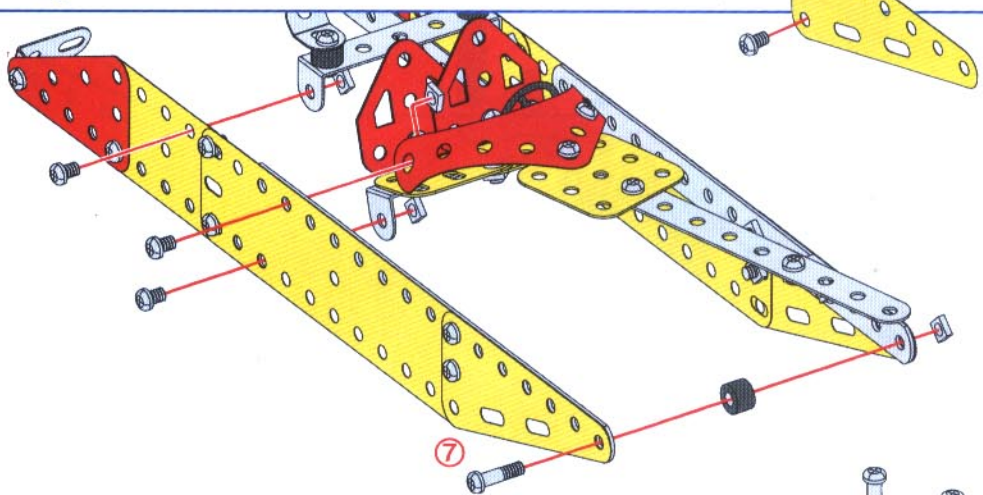
10 9+

	x1		x1		x1
	x4		x4		



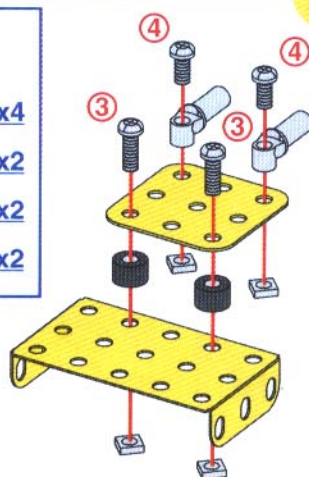
11 8+ 10+

	x1		x4
	x1		x3



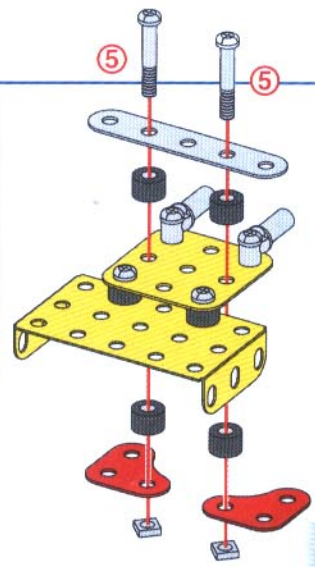
12

	x1		x2		x4
	x1		x2		x2
			x2		





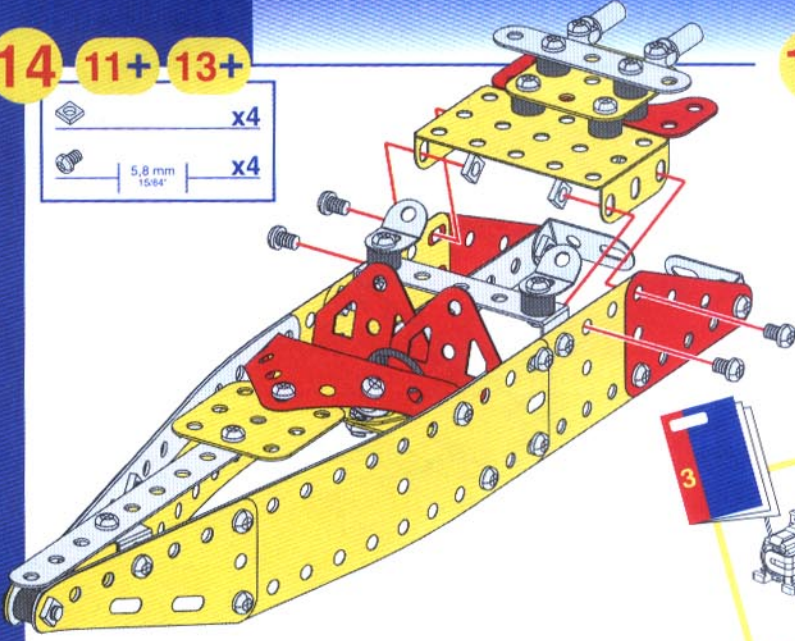
13 12+

	x1		x4		x2
	x2		x2		

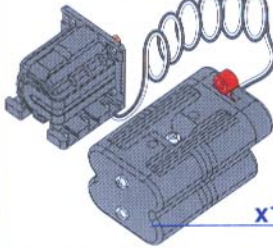









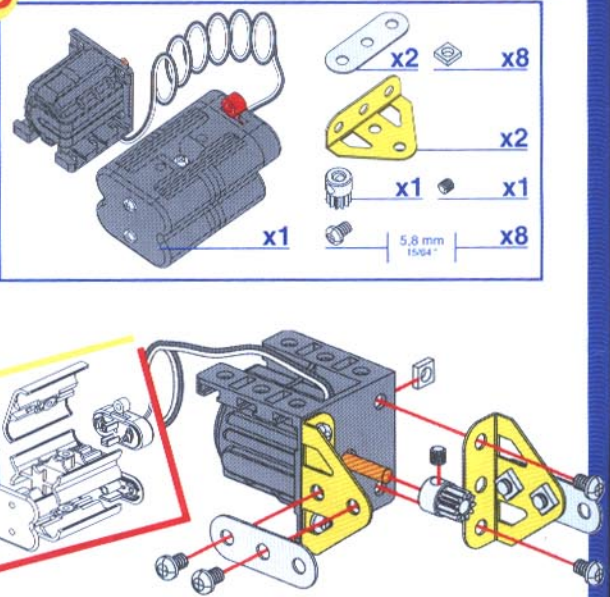
14 11+ 13+

-  x4
-  5,8 mm 15/64" x4



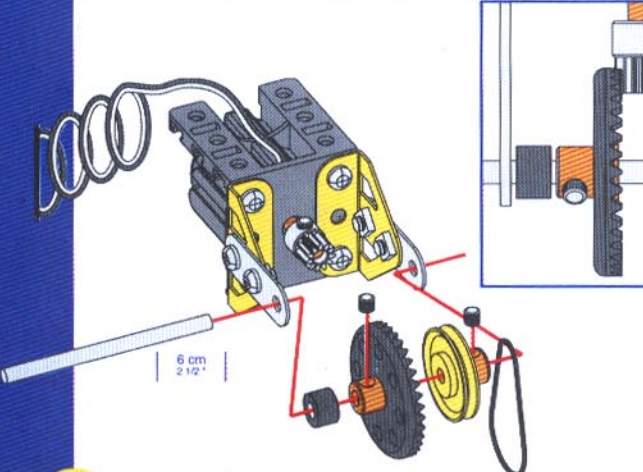
15

-  x1
-  x2
-  x2
-  x1
-  5,8 mm 15/64" x8
-  x8
-  x1
-  x8



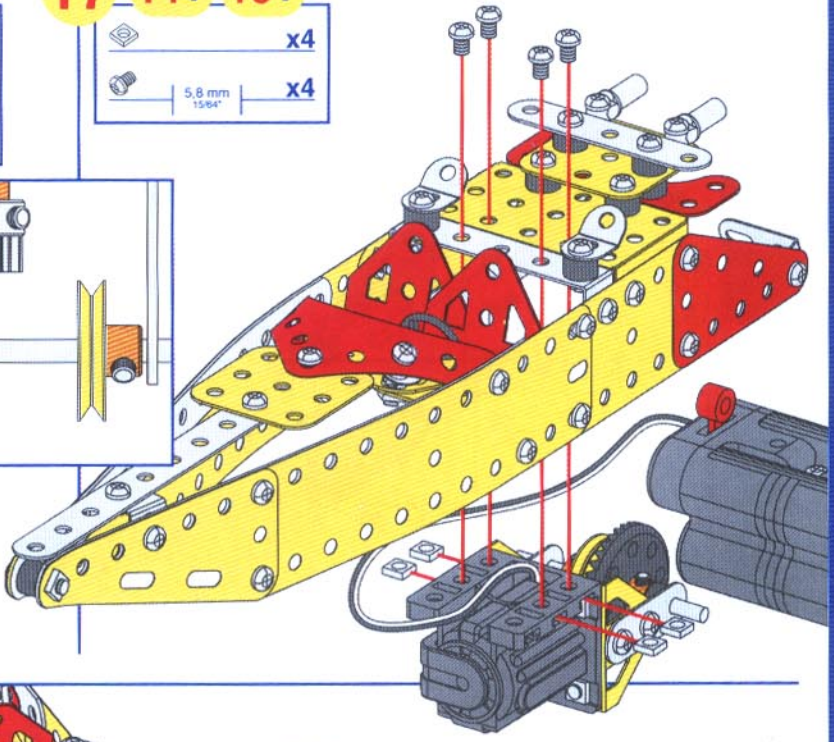
16 15+

-  6 cm 2 1/2" x1
-  x1
-  x1
-  x1
-  x1
-  x2







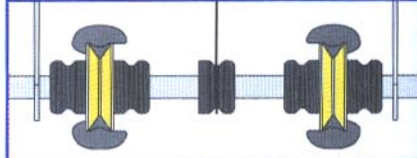
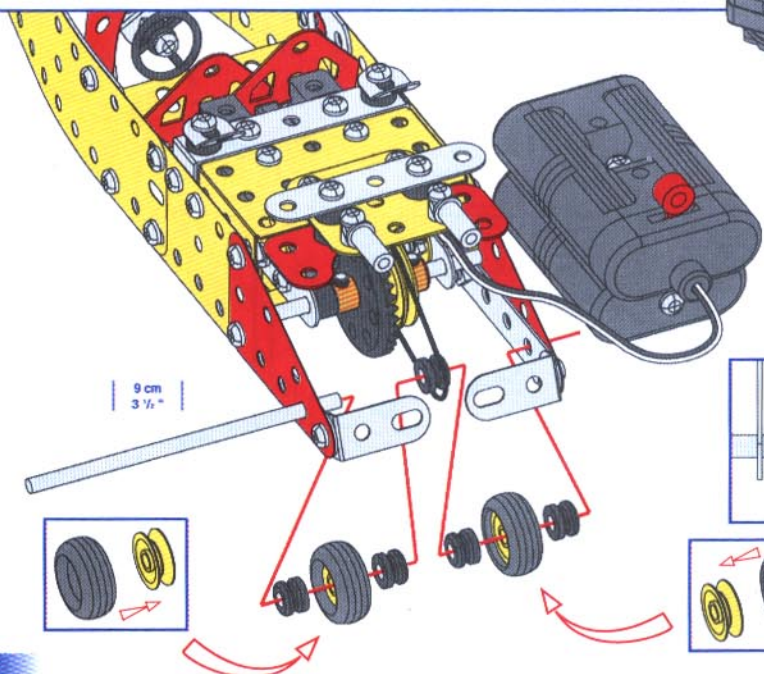
17 14+ 16+

-  x4
-  5,8 mm 15/64" x4

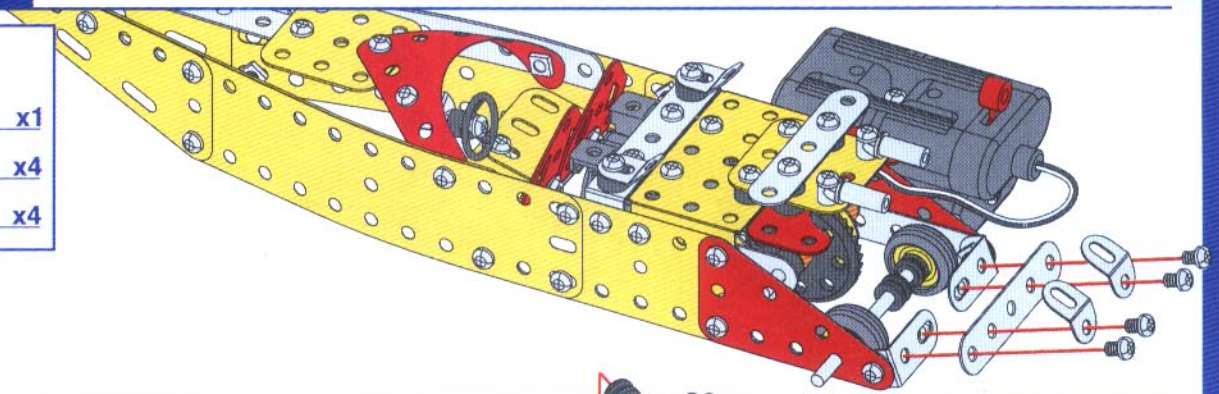
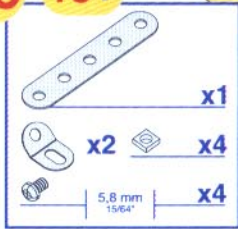


18 17+

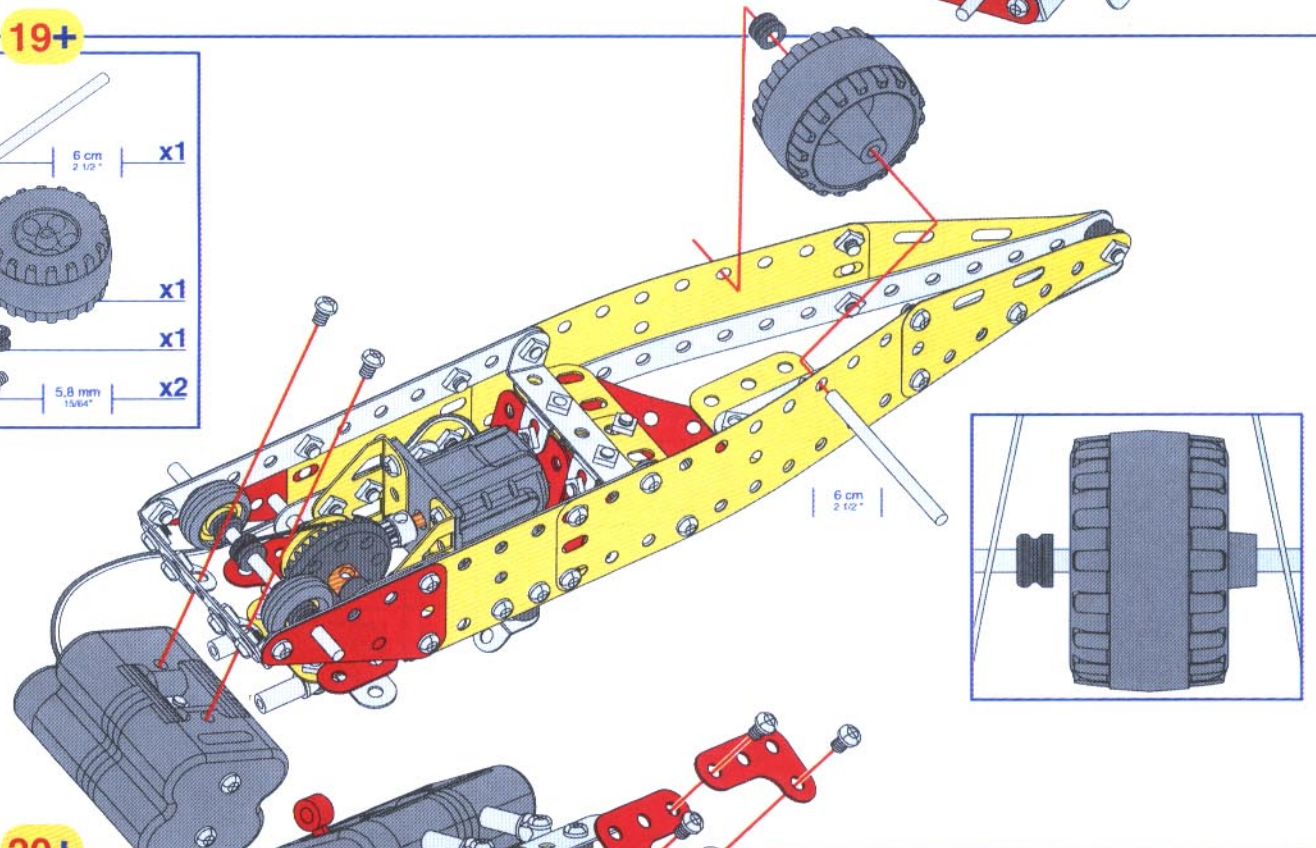
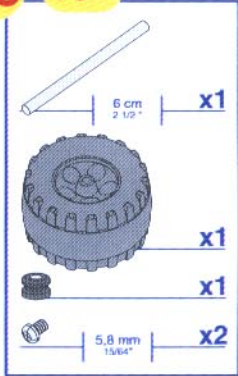
-  9 cm 3 1/2" x1
-  x2
-  x2
-  x5



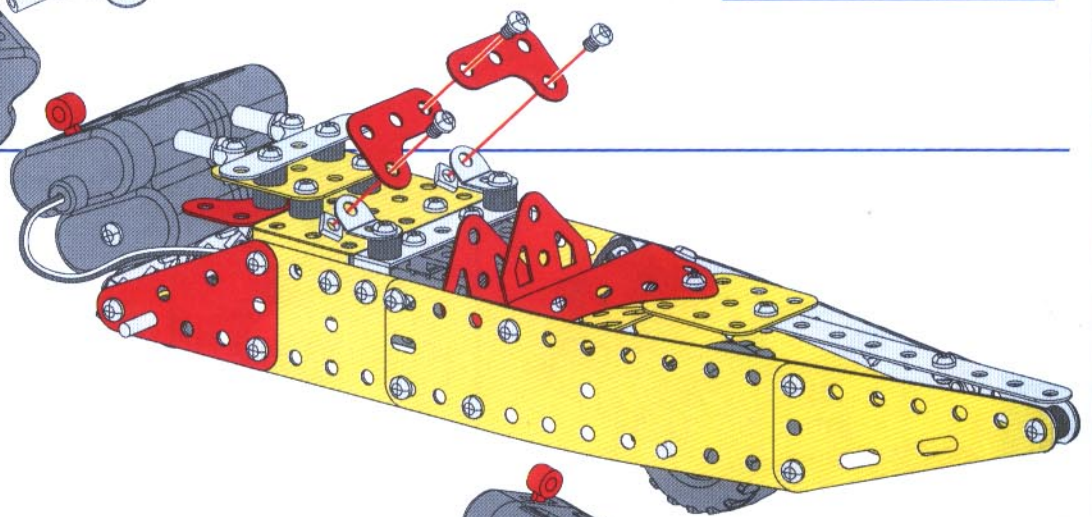
19 18+



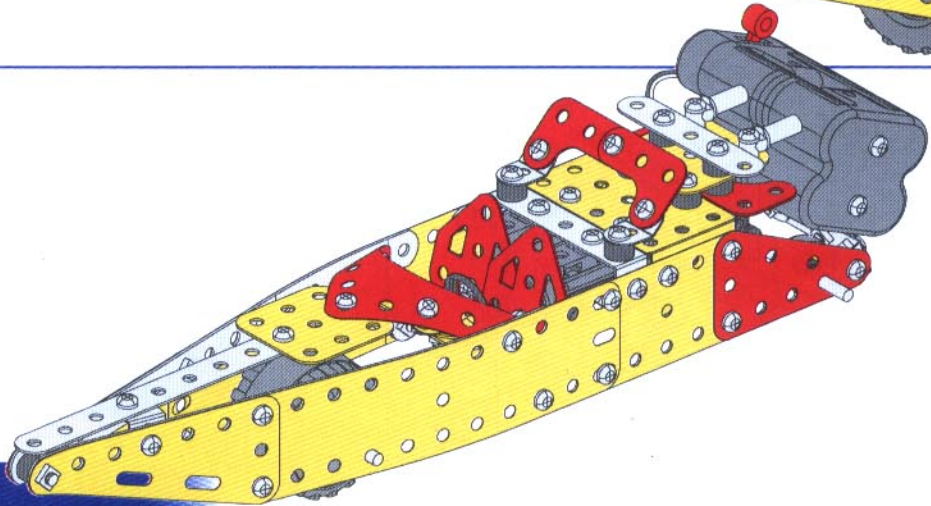
20 19+



21 20+



22





1

- Yellow Technic Beam 1x5: x1
- Grey Technic Beam 1x2: x1
- Grey Technic Pin: x1
- Grey Technic Pin: x1
- Grey Technic Pin: 5.8 mm 15/64": x1

2

- Black Technic Gear: x1
- Grey Technic Pin: x1
- Grey Technic Pin: 23 mm 29/32": x1

3 **1+** **2+**

- Black Technic Pin: x2
- Grey Technic Pin: x2
- Grey Technic Pin: 9.5 mm 3/8": x2

4

- Yellow Technic Beam 1x5: x1
- Yellow Technic Plate 1x5: x1
- Grey Technic Beam 1x2: x1
- Grey Technic Pin: x4
- Grey Technic Pin: 5.8 mm 15/64": x4

5 **3+** **4+**

- Grey Technic Pin: x1

6 **5+**

- Red Technic Plate 1x5: x1
- Grey Technic Beam 1x2: x1
- Grey Technic Beam 1x2: x1
- Grey Technic Pin: x2
- Grey Technic Pin: 5.8 mm 15/64": x2

7

- Yellow Technic Plate 1x5: x1
- Grey Technic Beam 1x2: x1
- Black Technic Pin: x1
- Grey Technic Pin: x1
- Grey Technic Pin: 12 mm 1/2": x1

8 **6+** **7+**

- Grey Technic Beam 1x5: x1
- Grey Technic Beam 1x5: x1
- Red Technic Plate 1x5: x1
- Grey Technic Beam 1x2: x1
- Grey Technic Pin: x5
- Grey Technic Pin: 5.8 mm 15/64": x5

9

- Black Technic Wheel: x1
- Grey Technic Pin: x2
- Grey Technic Pin: x3
- Grey Technic Pin: 14.7 mm 3/8": x1
- Grey Technic Pin: 5.8 mm 15/64": x1

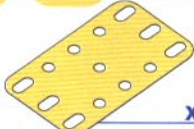



10 **9+**

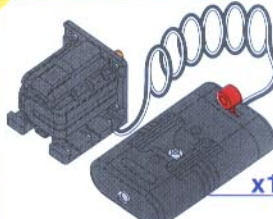

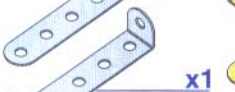

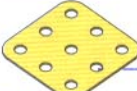






- Grey Technic Plate 1x5: x1
- Grey Technic Beam 1x2: x1
- Grey Technic Pin: 5.8 mm 15/64": x1
- Grey Technic Pin: x1

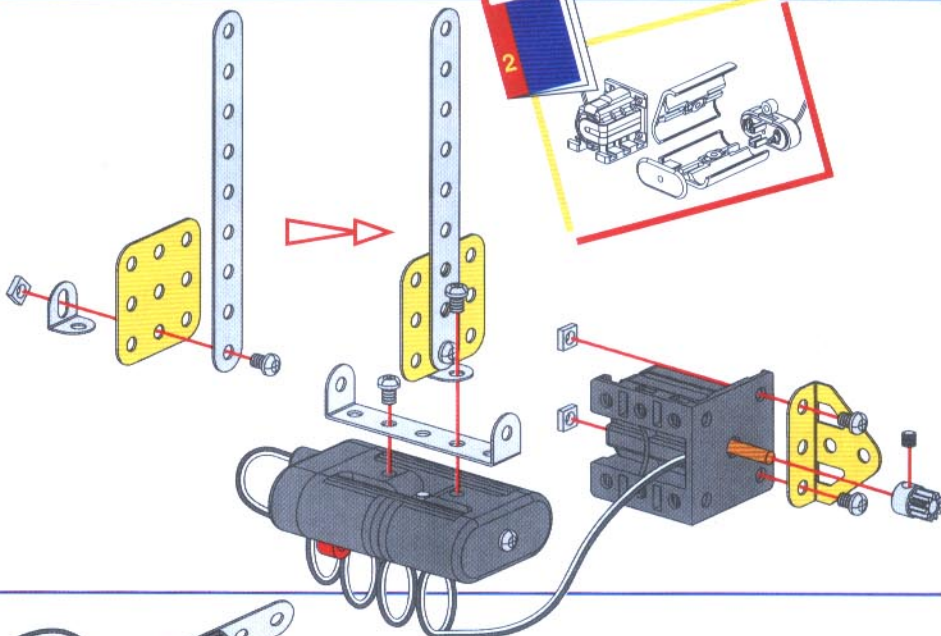
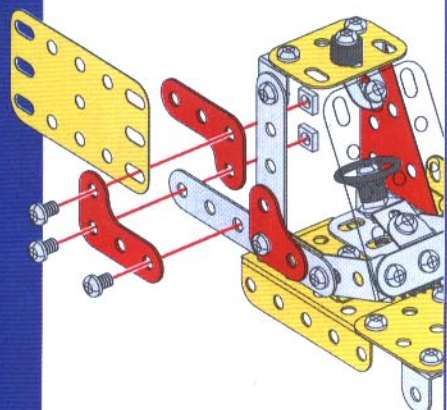
11 **8+** **10+**

- Grey Technic Pin: x3
- Grey Technic Pin: 5.8 mm 15/64": x3





12 11+

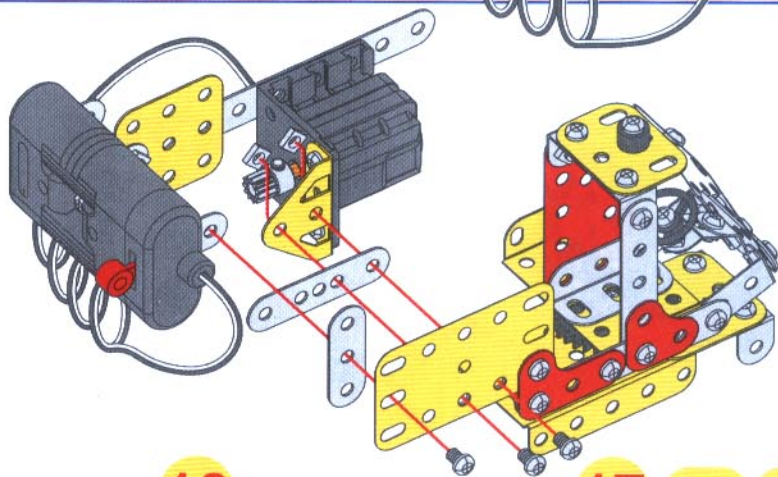
-  x1
-  x2
-  x3
-  5,8 mm 15/64" x3

-  x1
-  x1
-  x1
-  x1
-  x1
-  x1
-  x1
-  x3
-  x1
-  x5
-  5,8 mm 15/64"



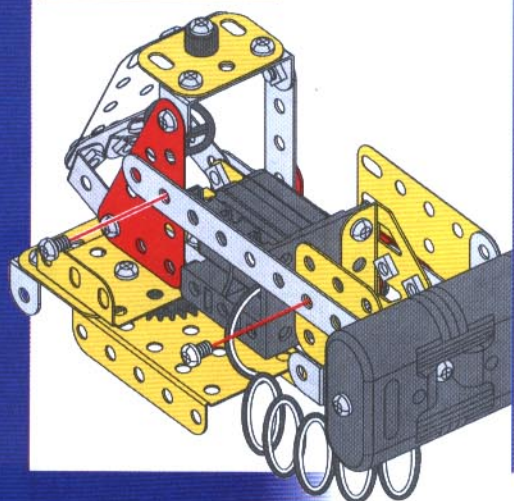
14 12+ 13+

-  x1
-  x1
-  x3
-  5,8 mm 15/64" x3


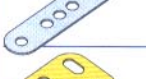





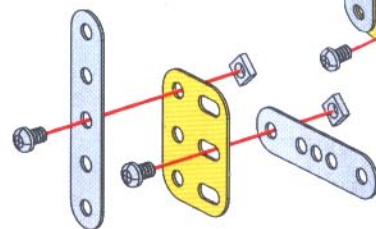
15 14+

-  x2
-  5,8 mm 15/64" x2



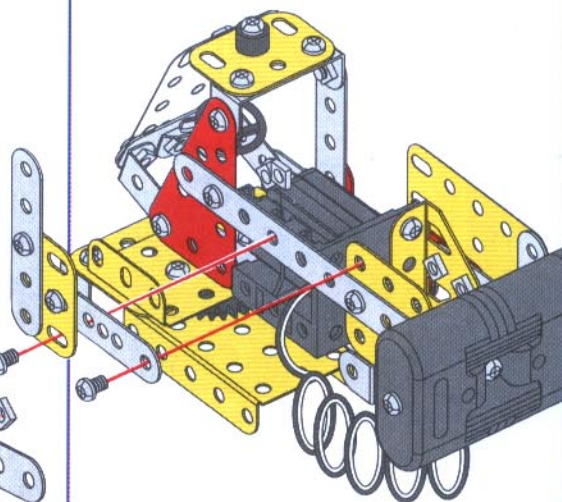
16

-  x1
-  x1
-  x1
-  x2
-  5,8 mm 15/64" x2

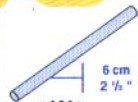




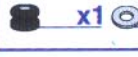


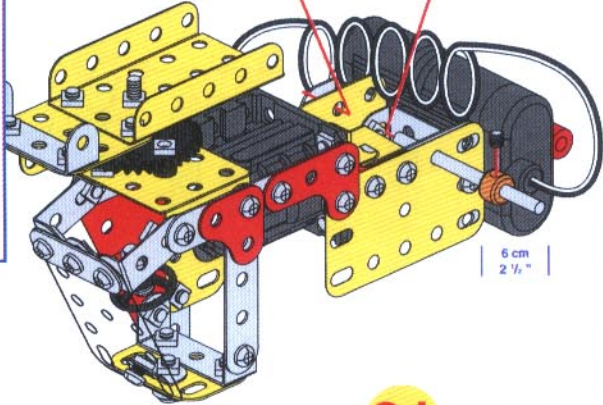
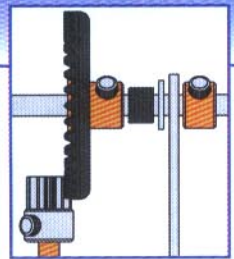
17 15+ 16+

-  x2
-  5,8 mm 15/64" x2





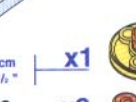



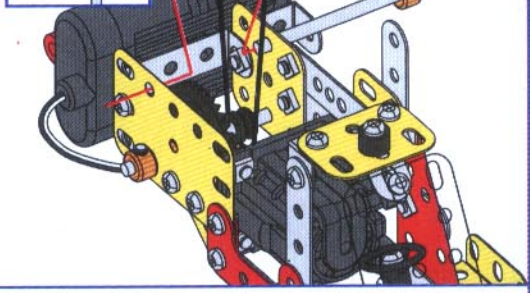
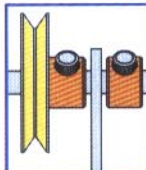
18 17+

-  x1
-  x1
-  x1
-  x1
-  x1
-  x1




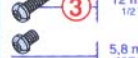




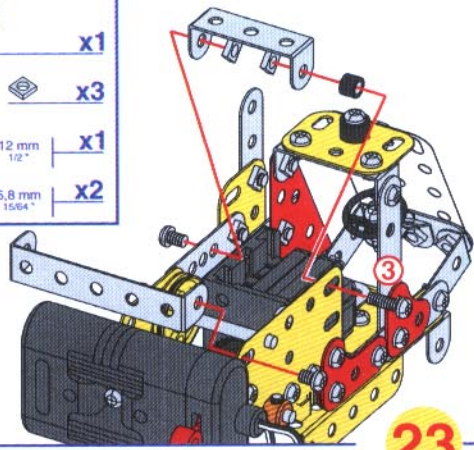
19 18+

-  x1
-  x1
-  x2
-  x1
-  x1
-  x1












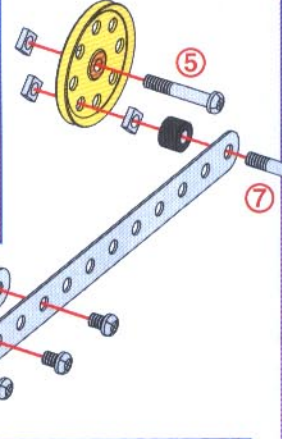
20 19+

-  x1
-  x1
-  x1
-  x3
-  x1
-  x2

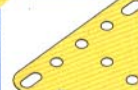
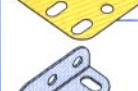





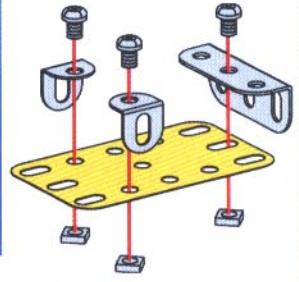
21

-  x1
-  x1
-  x2
-  x2
-  x1
-  x2
-  x6
-  x1
-  x2



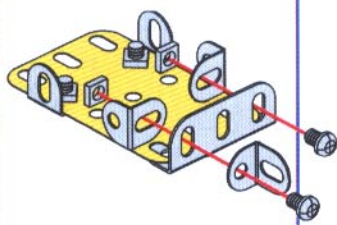
22

-  x1
-  x1
-  x2
-  x3
-  x3






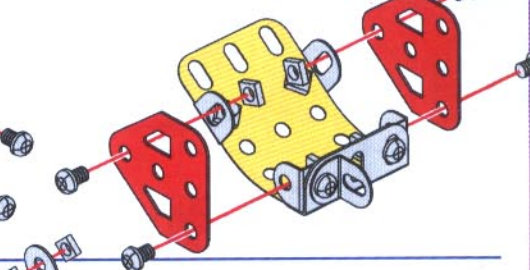
23 22+

-  x3
-  x2
-  x2









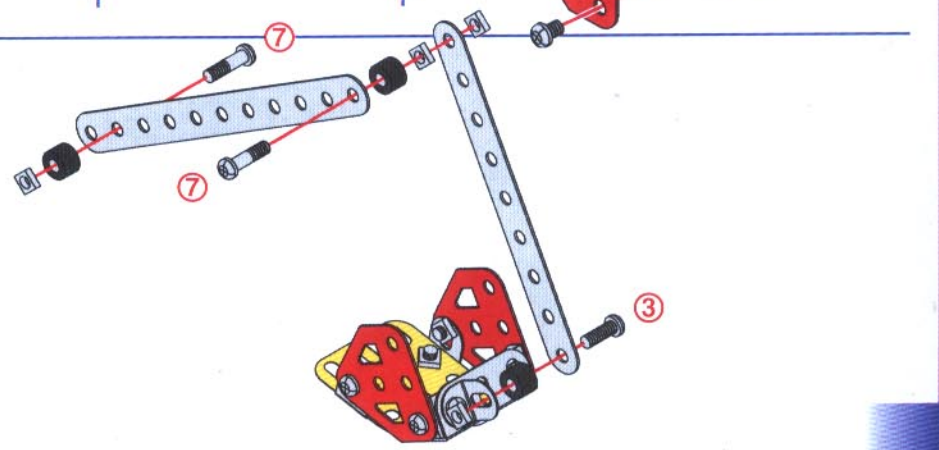
24 23+

-  x2
-  x4
-  x4

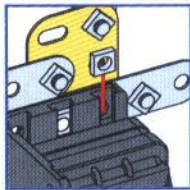
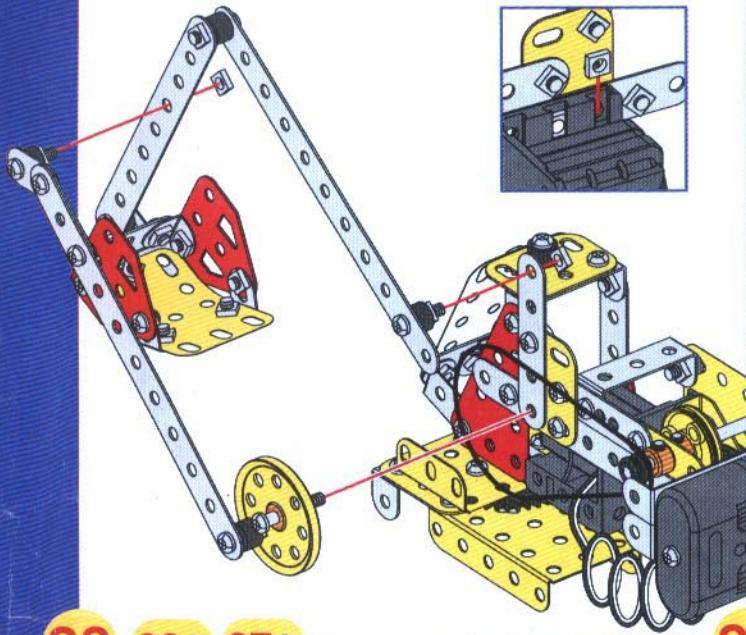


25 24+

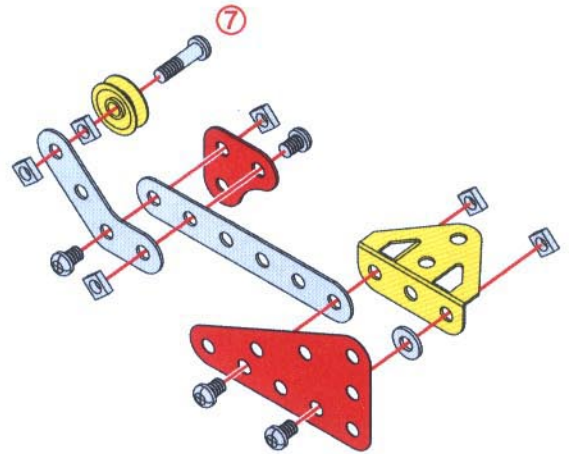
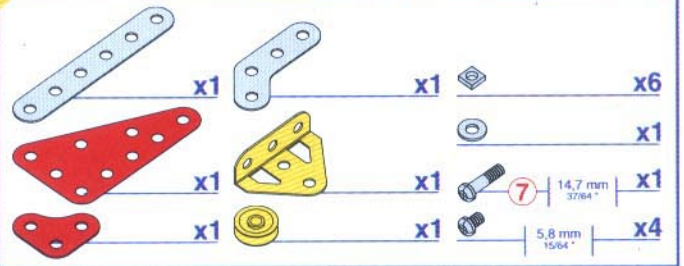
-  x1
-  x1
-  x3
-  x4
-  x2
-  x1



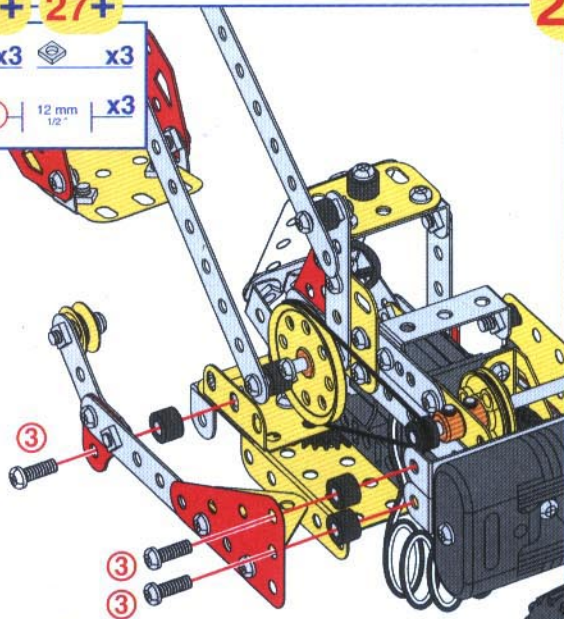
26 20+ 21+ 25+



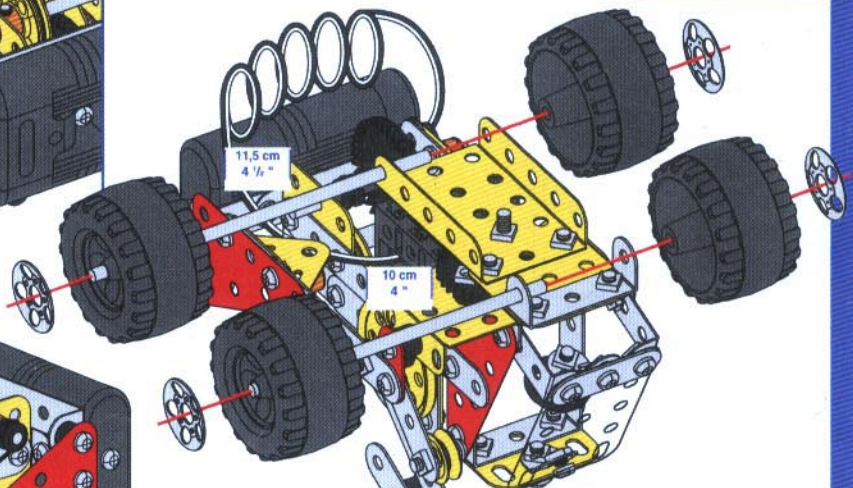
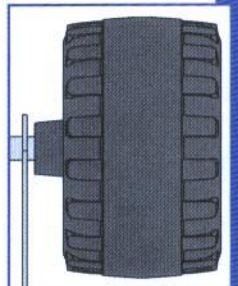
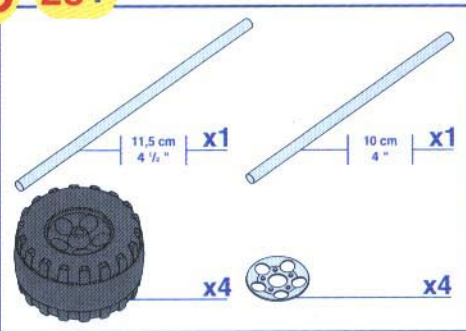
27



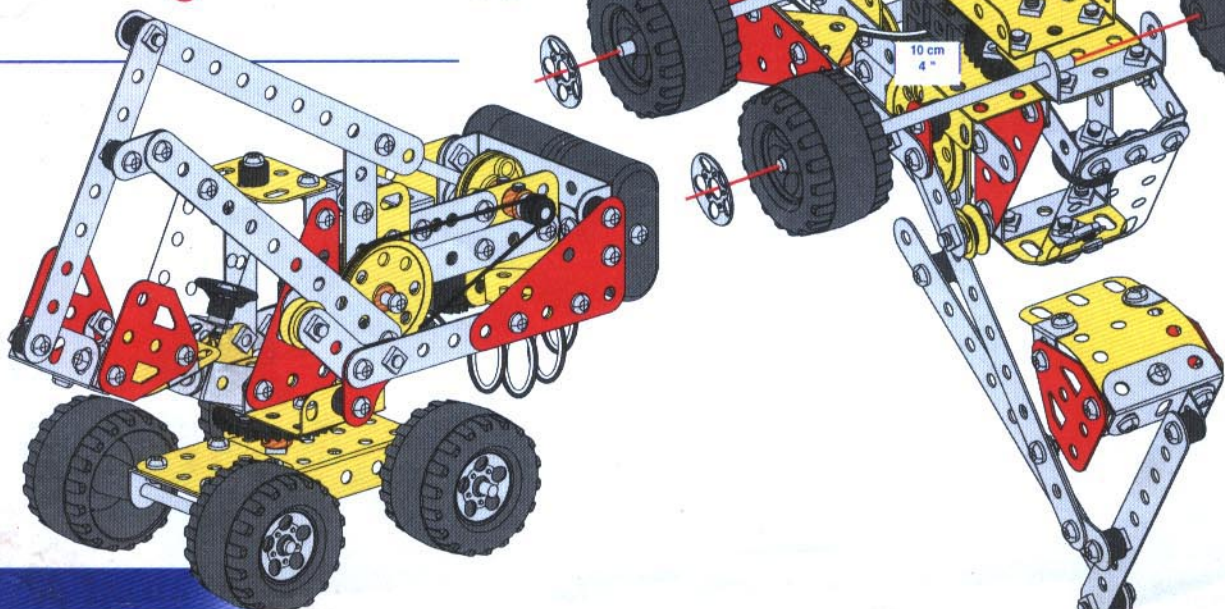
28 26+ 27+



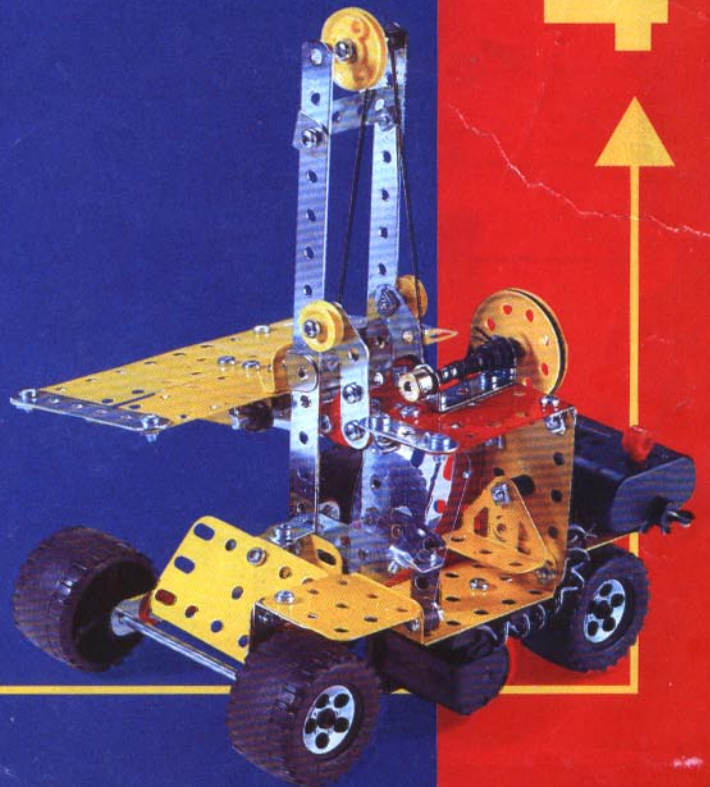
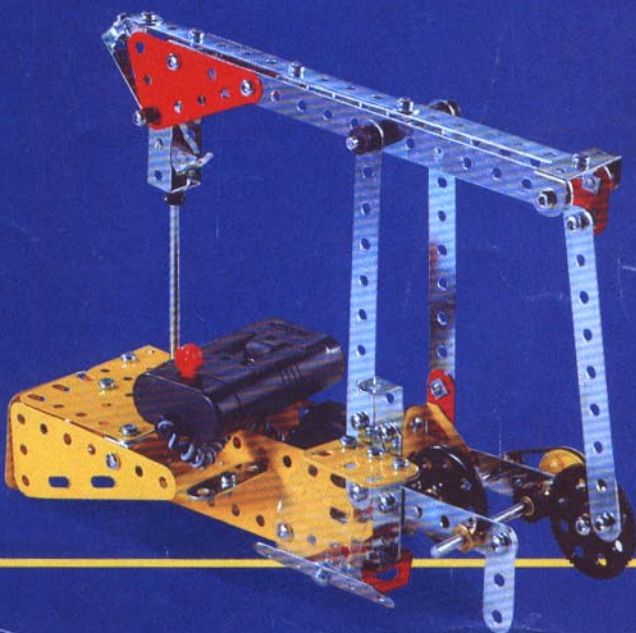
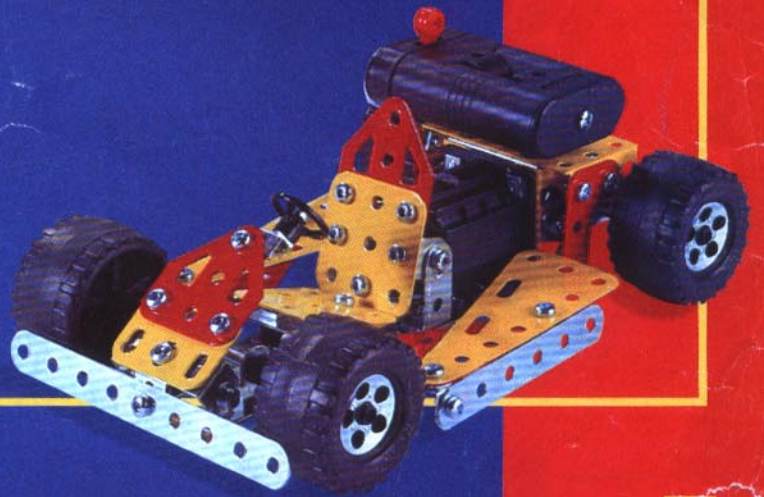
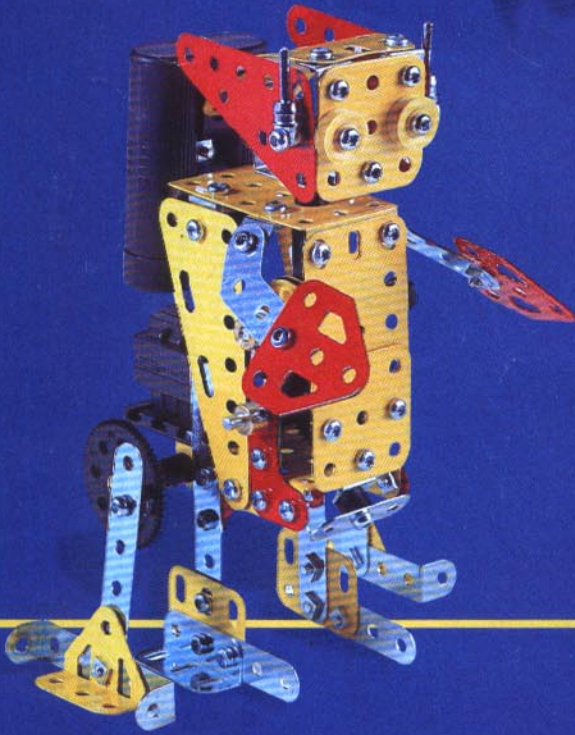
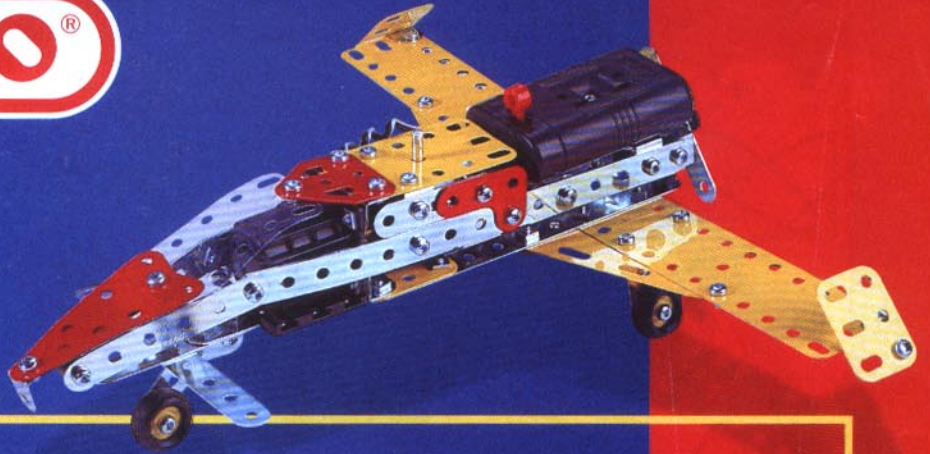
29 28+



30



MECCANO[®]



4

