

# MECCANO®

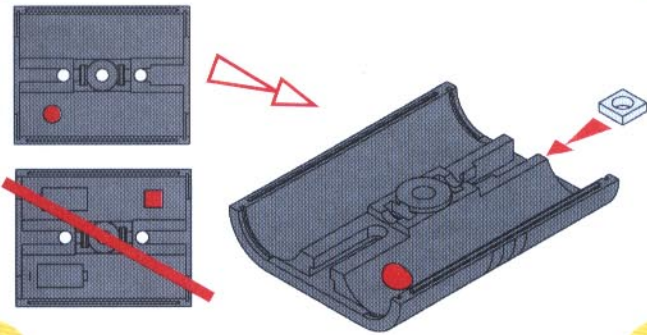
# EVOLUTION

- GB** With Evolution Set 2, you can build 25 models in total, including those from Set 1 and more to build with your imagination.
- F** Avec Evolution 2, tu peux construire tous les modèles des boîtes Evolution 1 et 2, soit 25 modèles proposés. Et tous ceux que tu peux imaginer.
- D** Mit Evolution 2 kannst Du alle Modelle der Kasten Evolution 1 und 2 bauen, also 25 vorgeschlagene Modelle. Und dazu noch alle weiteren, die Du Dir ausdenken kannst.
- I** Con Evolution 2, puoi costruire tutti i modelli delle confezioni Evolution 1 e 2, cioè 25 modelli proposti. E tutti quelli che immaginerai.
- S** Med Evolution 2 kan du bygga samtliga modeller i askarna Evolution 1 or 2, eller 25 foretagna modeller. Och alla dem som du kan hitta på.
- SF** Evolution 2 allä voit rakentaa kaikki sarjojen Evolution 1 ja 2 mallit eli yhteensa 25 ehdotettua malia - ja lisää omasta päästäsi.
- DK** Met Evolution N°2 kan je alle modellenvan Evolution 1 en Evolution 2 maken, dit zijn de 25 modellen uit het boeijke en alle andere die je kunt bedenken.
- E** Con Evolution 2, puedes construir todos los modelos de las cajas Evolution 1 y 2, es decir 25 modelos propuestos. Y todos los que puedes imaginar.
- NL** Met Evolution N°2 kan je alle modellen van Evolution 1 en Evolution 2 maken, dit zijn de 25 modellen uit het boekje en alle andere die je kunt bedenken.
- P** Com «Evolution 2», podes construir todos os modelos das caixas «Evolution 1 e 2», ou seja 25 modelos propostos. E todos os que a imaginação te permitir.
- GR** Με την Evolution 2 μπορείς να κατασκευάσεις όλα τα μόντέλα των κουτιών Evolution 1 και 2, δηλαδή 25 προσχεδιασμένα μοντέλα. Και ό, τι άλλο μπορείς να φανταστείς.
- JPN** 進度 2 では提案 1、2 のボックス全モデル 合計 25 の提案モデルが組み立てられます それ以外にも、想像に任せて色々なモデルを組み立ててみよう。

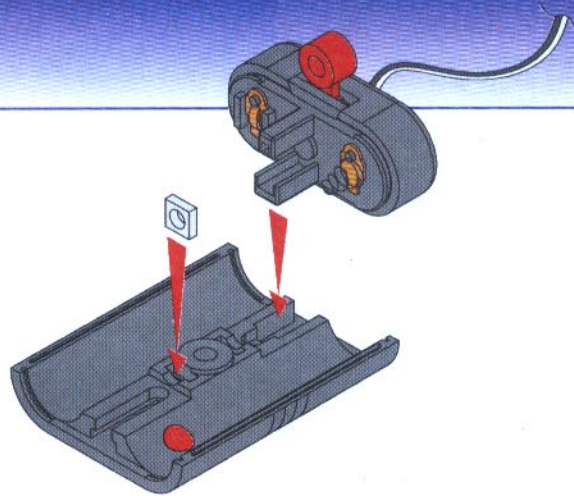
# 2



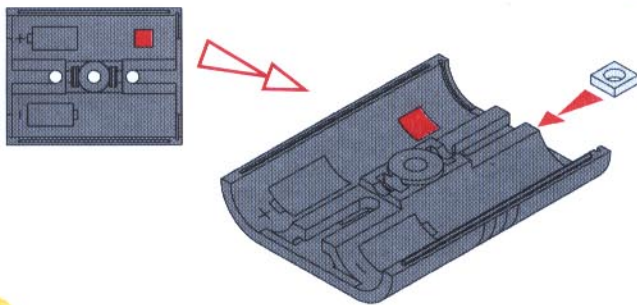
1



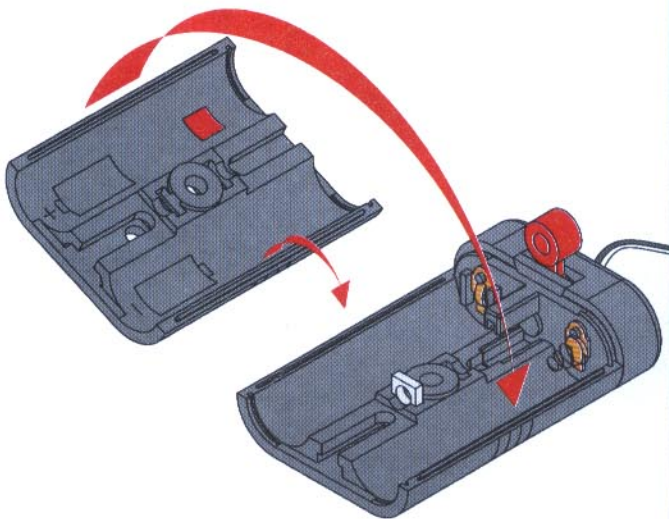
2



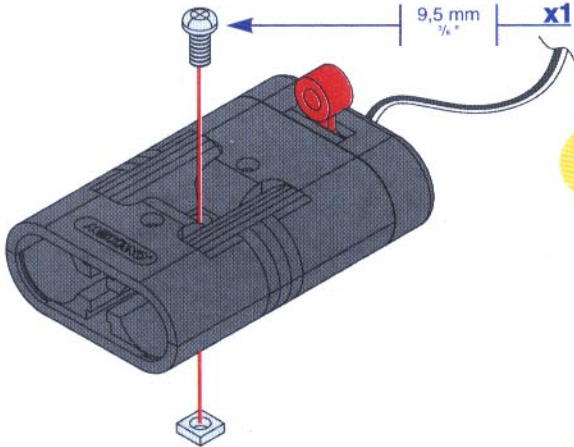
3



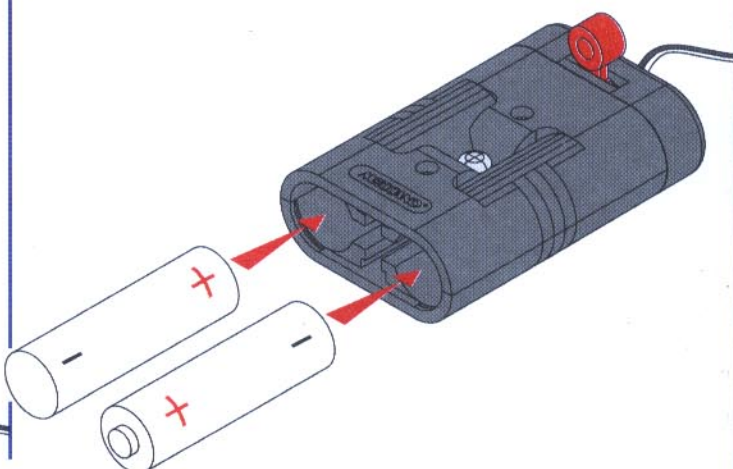
4



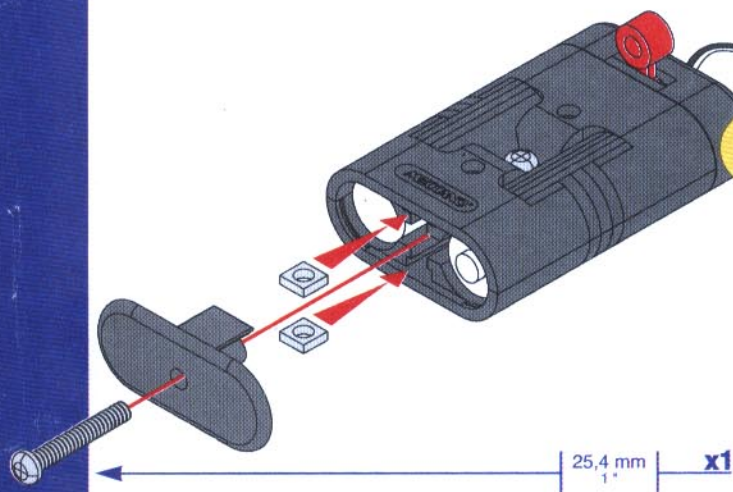
5



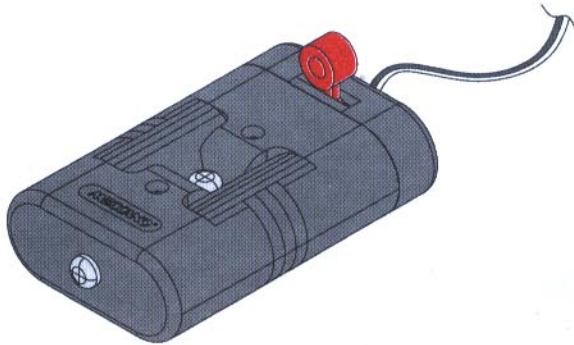
6

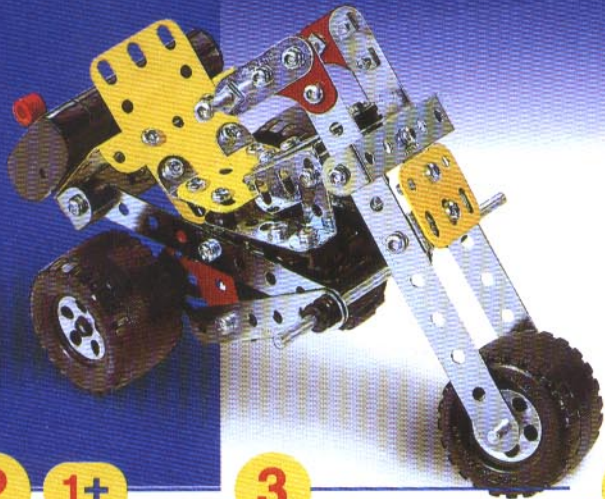


7

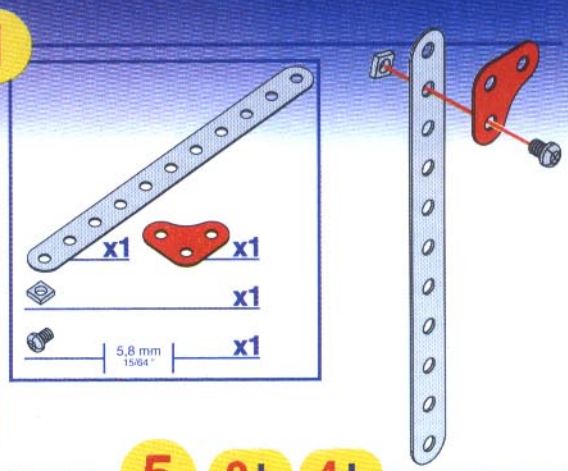


8

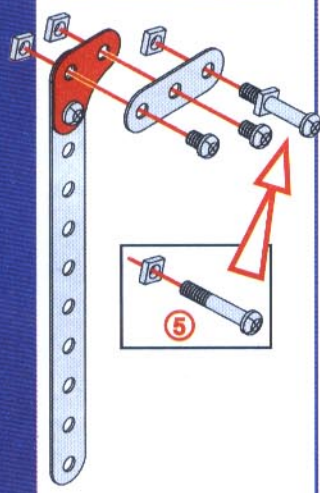




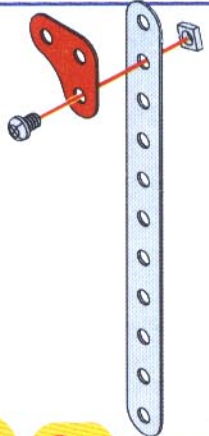
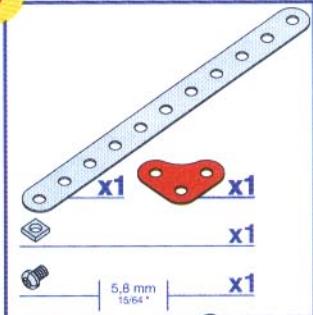
1



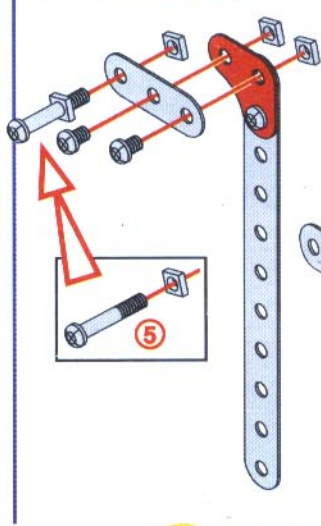
2 1+



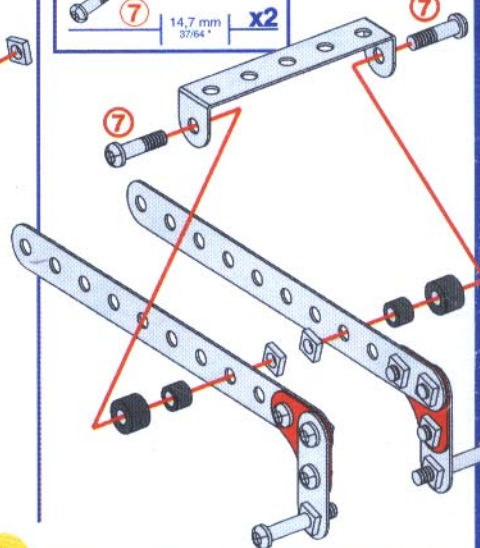
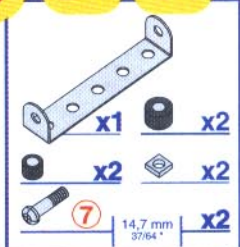
3



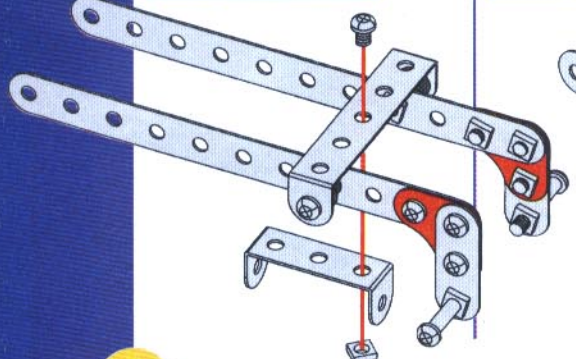
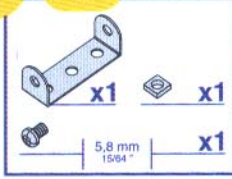
4 3+



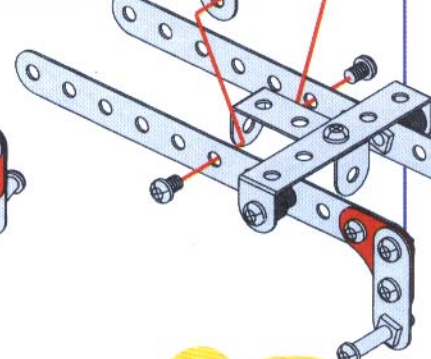
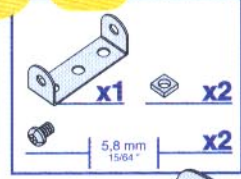
5 2+ 4+



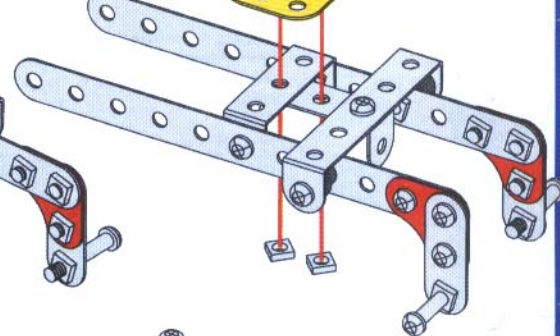
6 5+



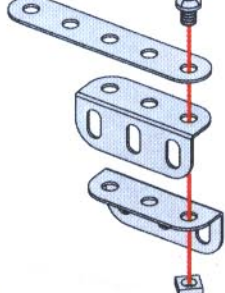
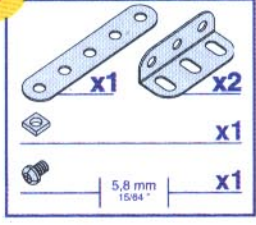
7 6+



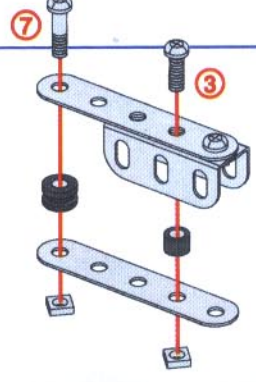
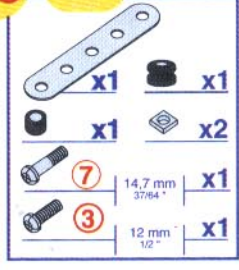
8 7+



9

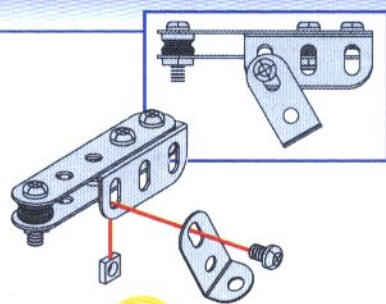


10 9+



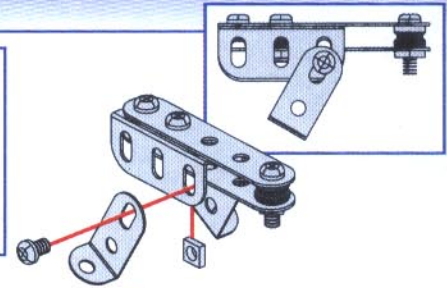
11 10+

- x1
- x1
- 5,8 mm 15/64" x1



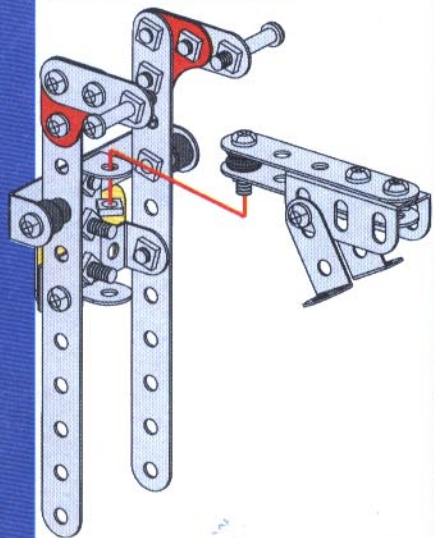
12 11+

- x1
- x1
- 5,8 mm 15/64" x1



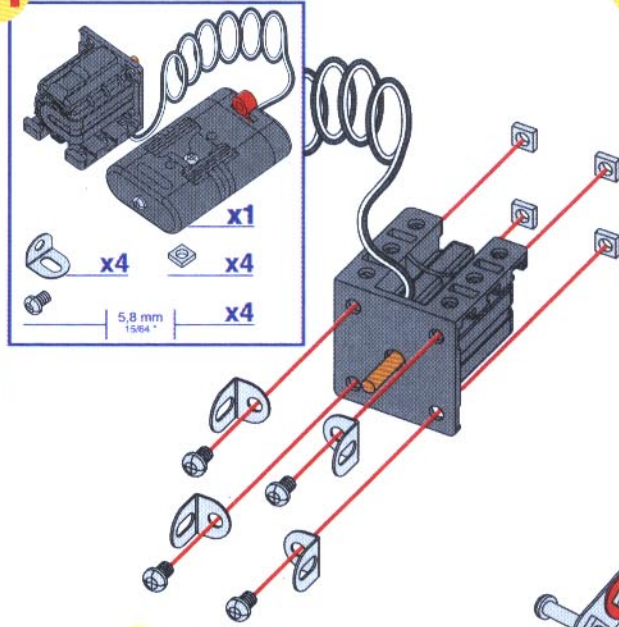
13 8+ 12+

- x1



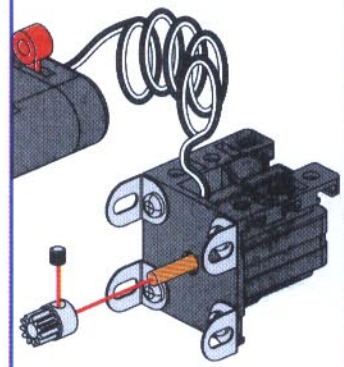
14

- x1
- x4
- 5,8 mm 15/64" x4
- x4



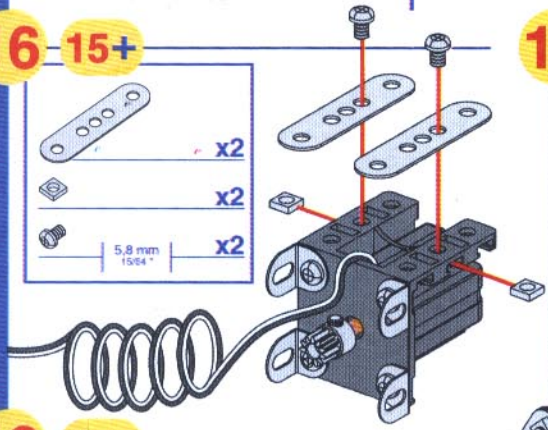
15 14+

- x1
- x1



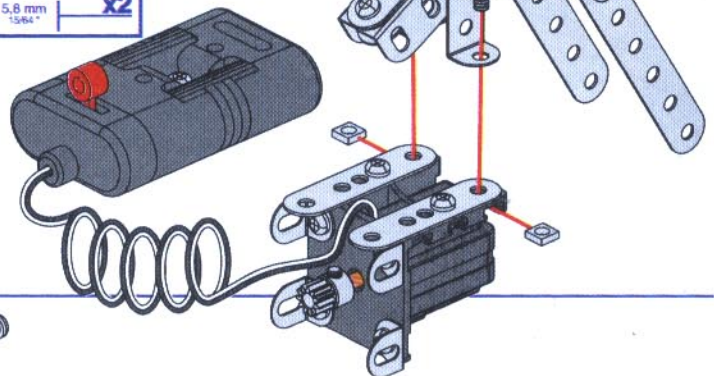
16 15+

- x2
- x2
- 5,8 mm 15/64" x2



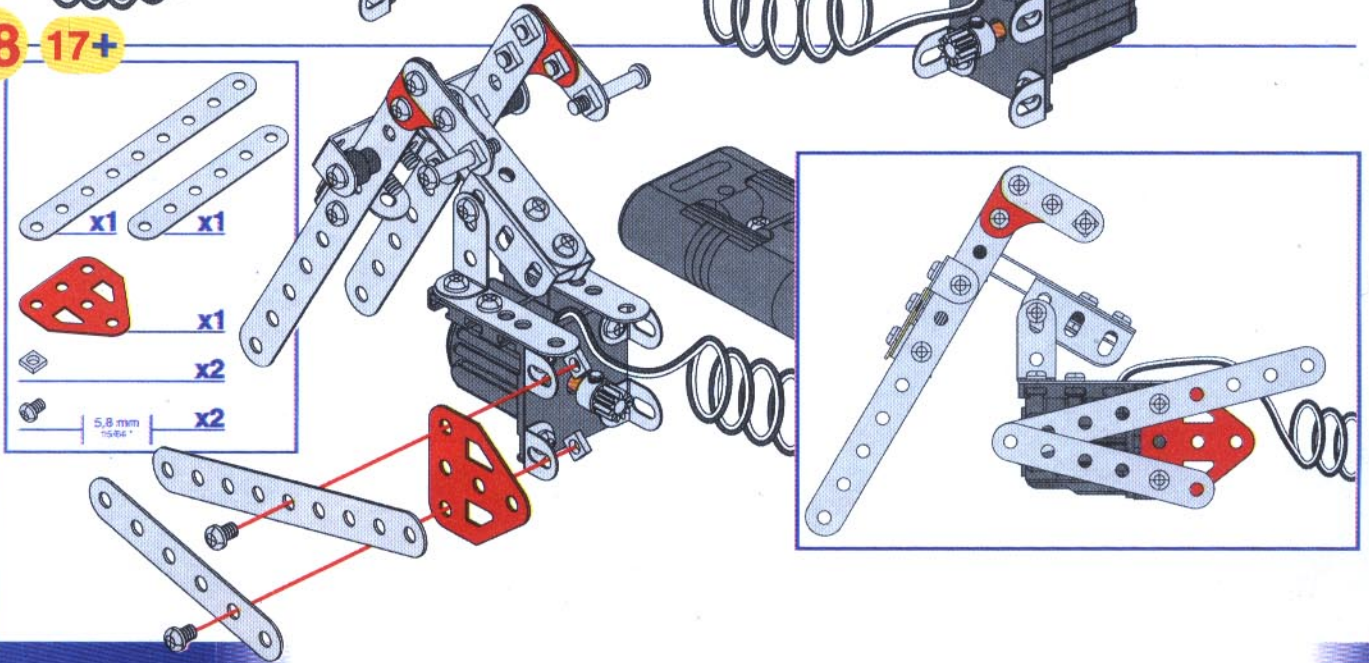
17 13+ 16+

- x2
- 5,8 mm 15/64" x2

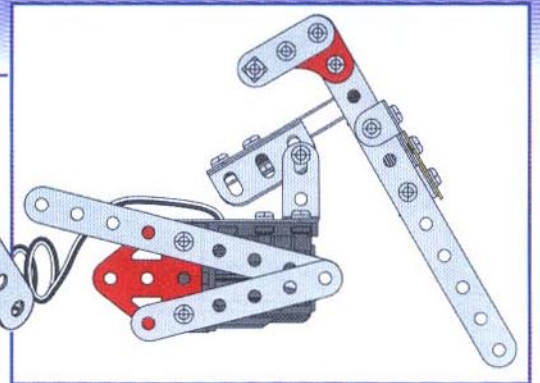
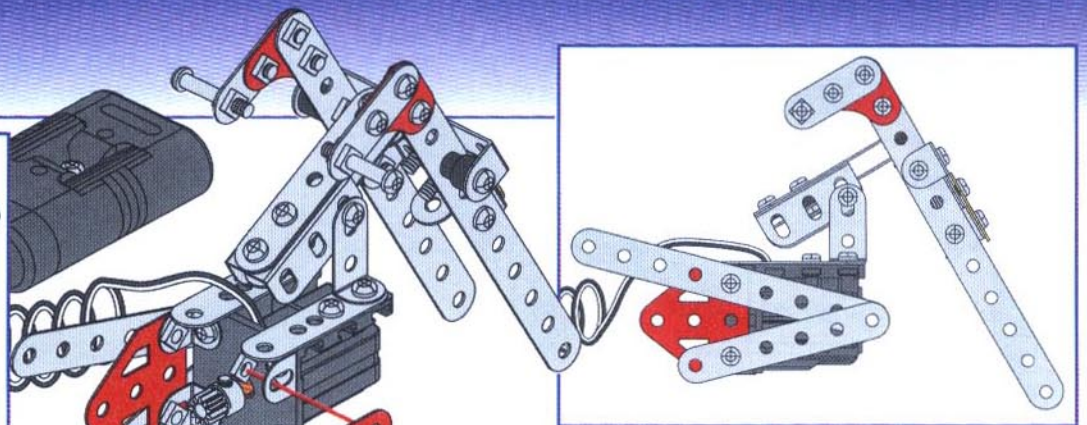
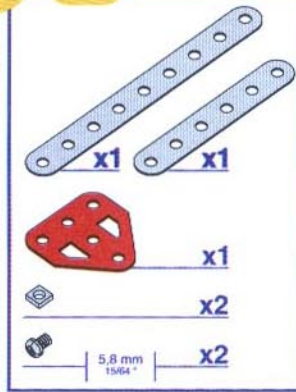


18 17+

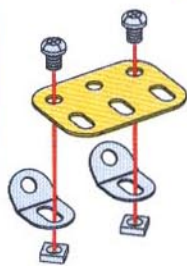
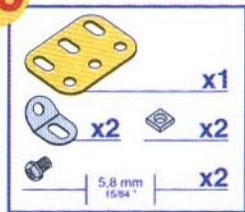
- x1
- x1
- x1
- x2
- 5,8 mm 15/64" x2



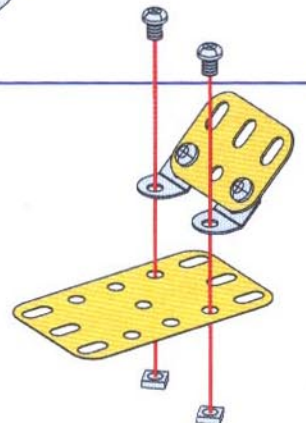
19 18+



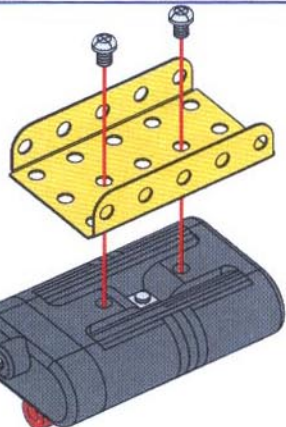
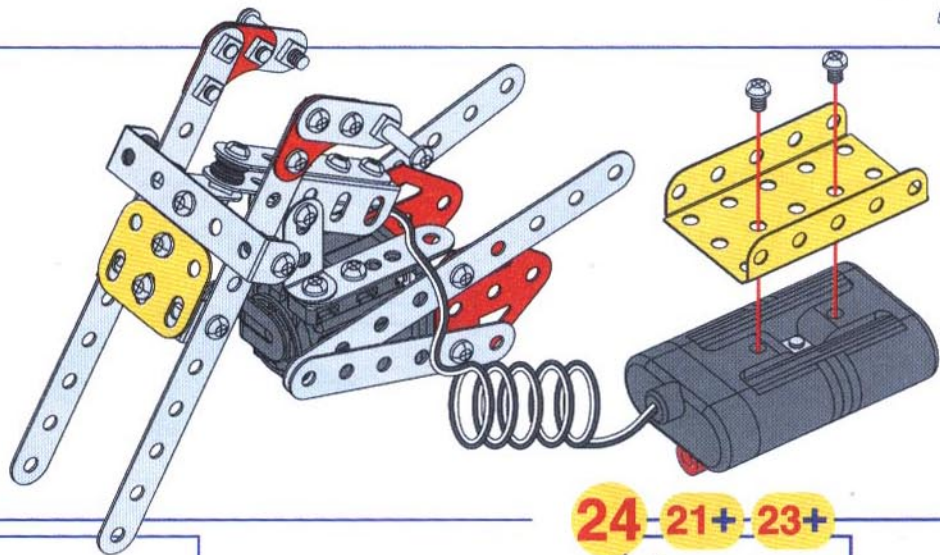
20



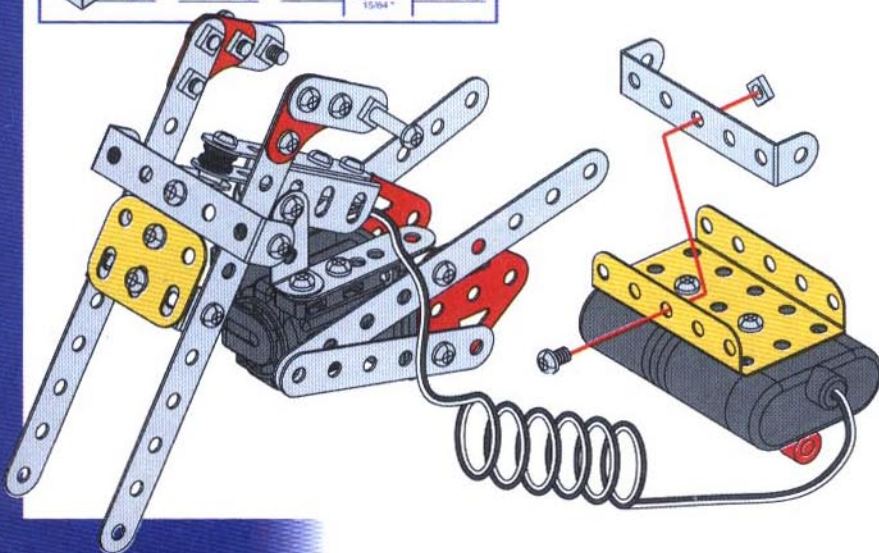
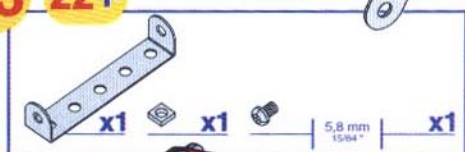
21 20+



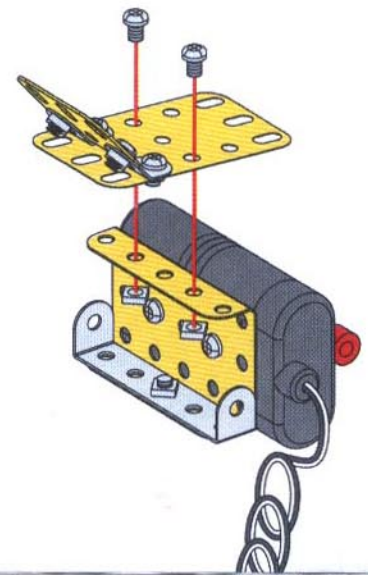
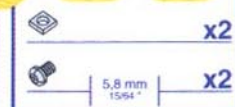
22 19+



23 22+

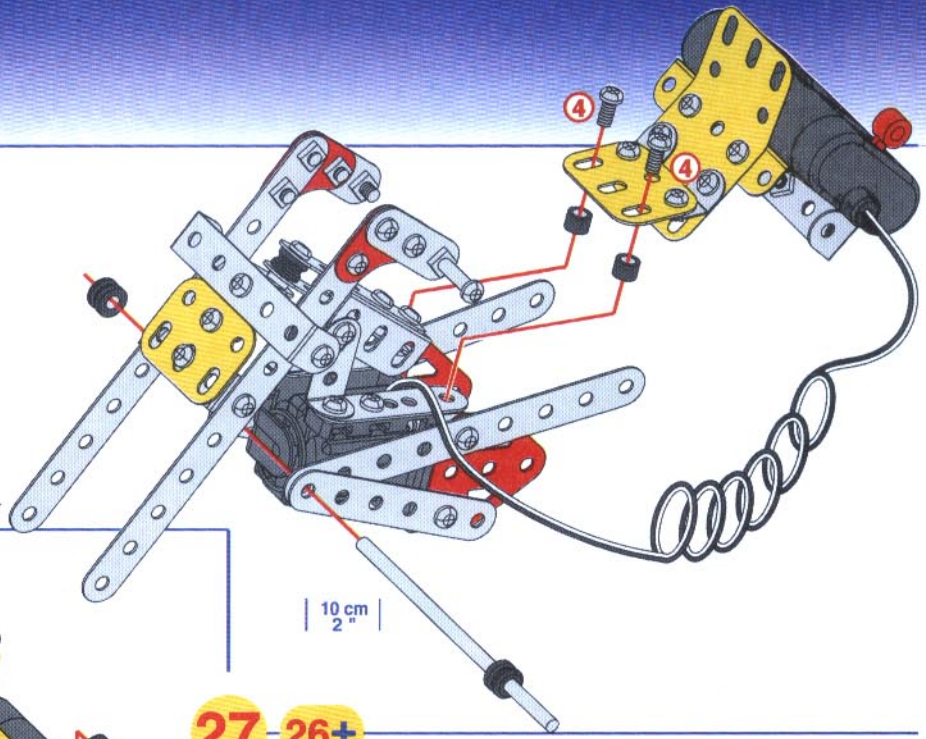


24 21+ 23+



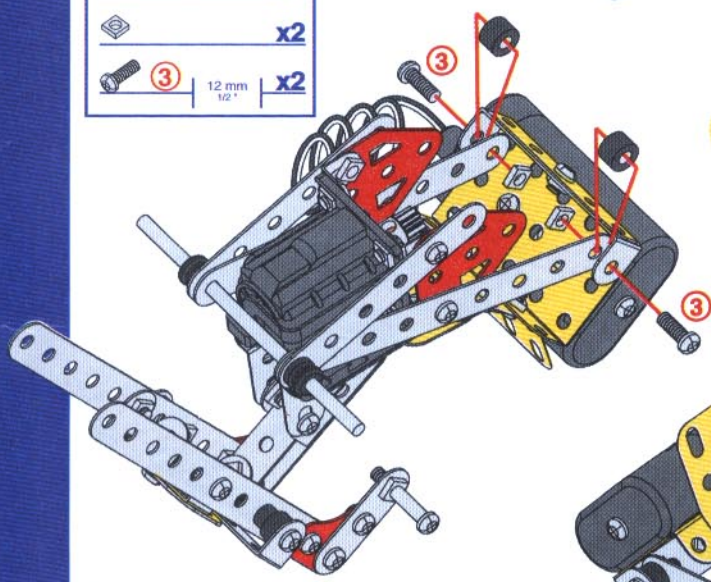
**25 24+**

	x1		x2
	x2		x2
	④	9.5 mm / 3/8"	x2



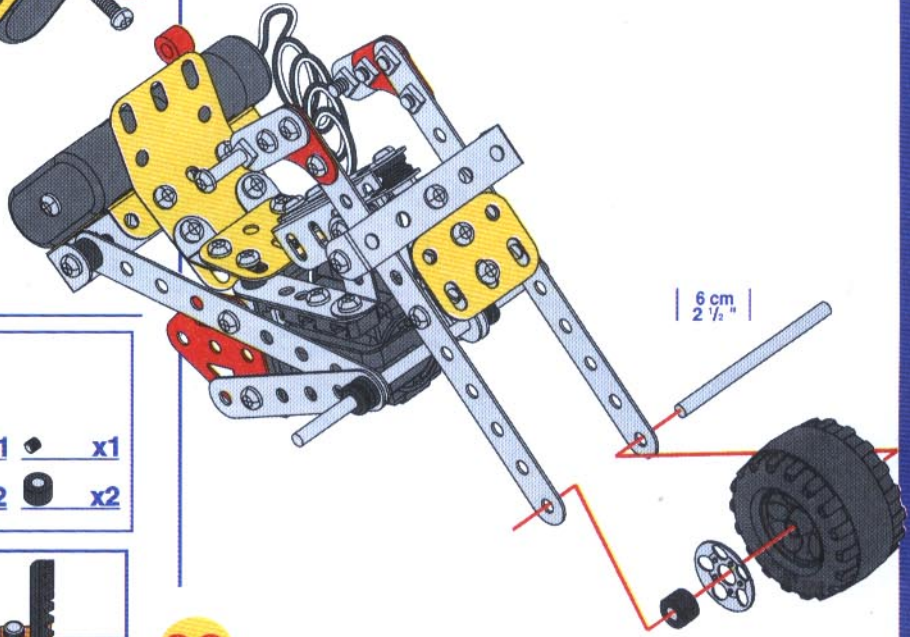
**26 25+**

	x2	
	x2	
	③ 12 mm / 1/2"	x2



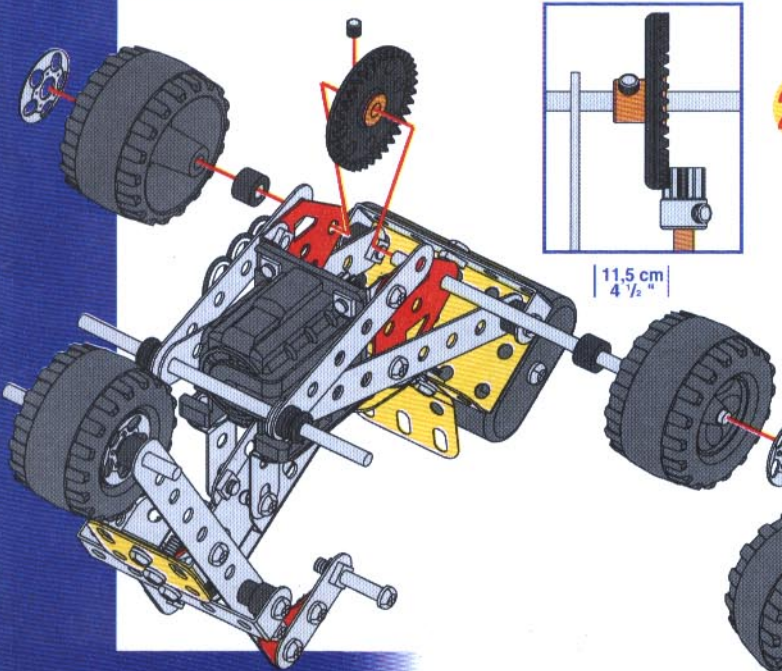
**27 26+**

	x1		x1		x1		x1
--	----	--	----	--	----	--	----

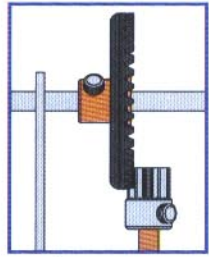


**28 27+**

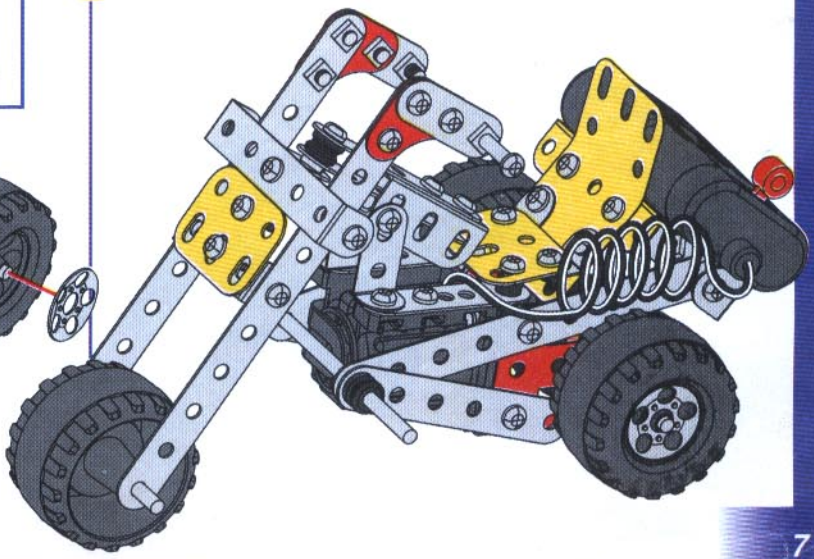
	x1		x2		x1		x1
	x2		x2				



**29**

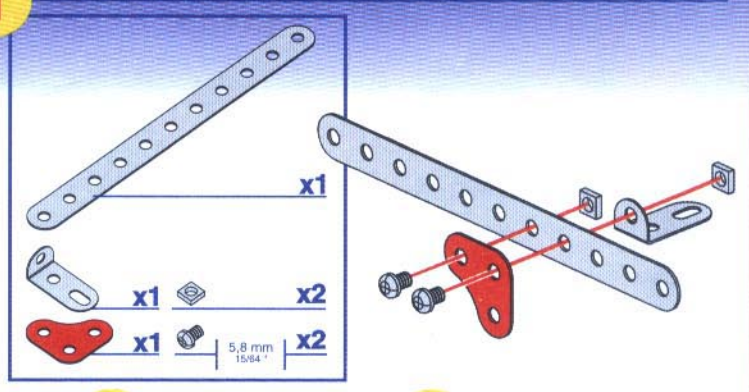


11.5 cm / 4 1/2"

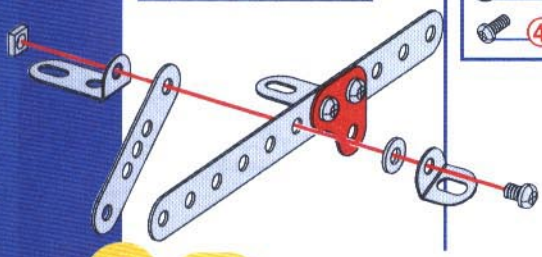
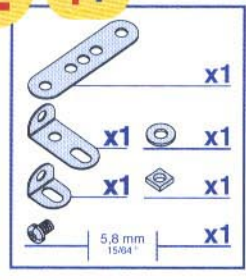




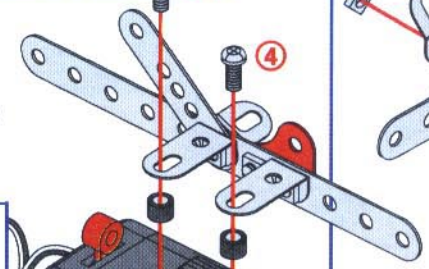
**1**



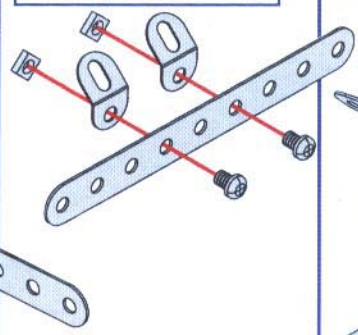
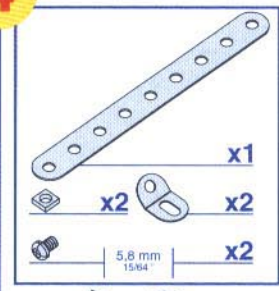
**2 1+**



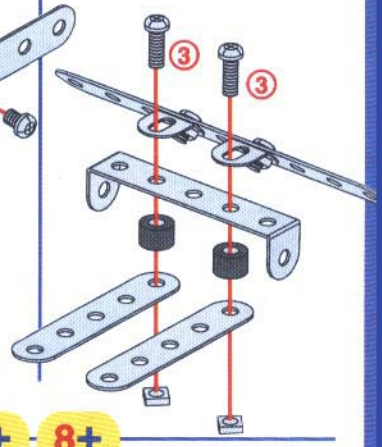
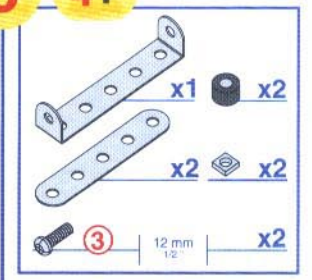
**3 2+**



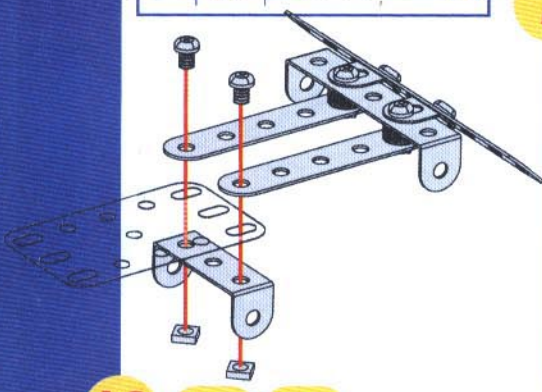
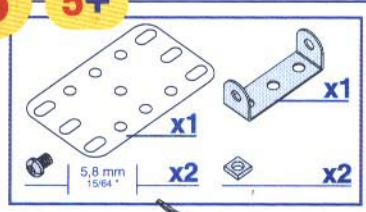
**4**



**5 4+**



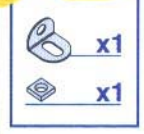
**6 5+**



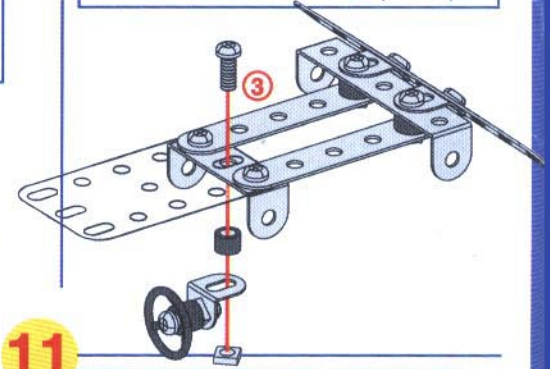
**7**



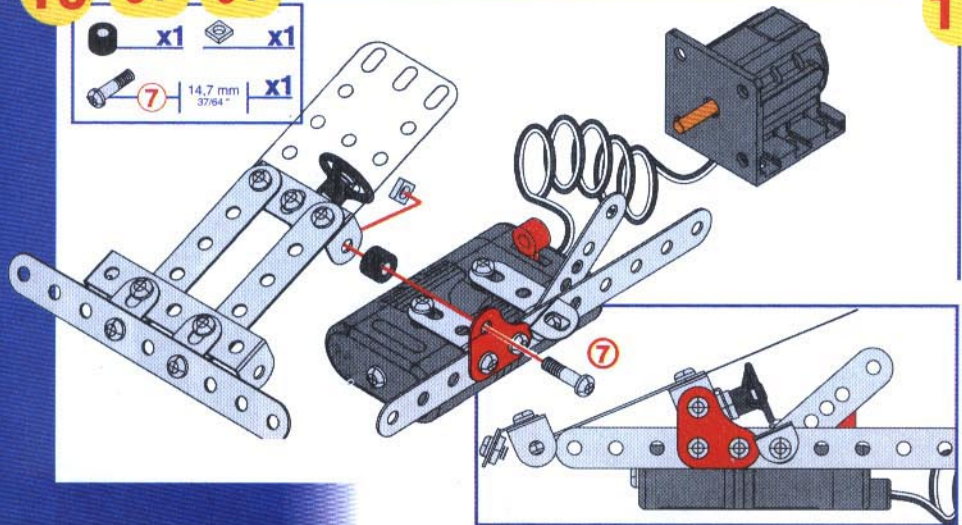
**8 7+**



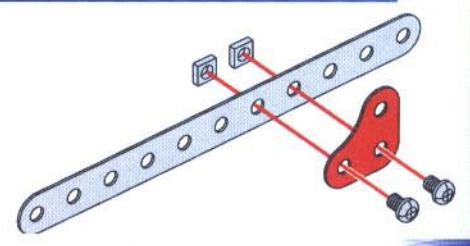
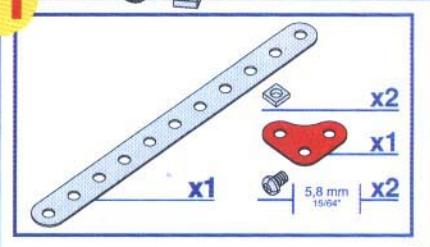
**9 6+ 8+**



**10 3+ 9+**

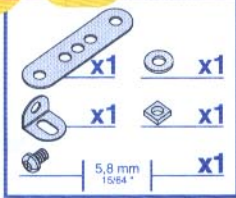


**11**

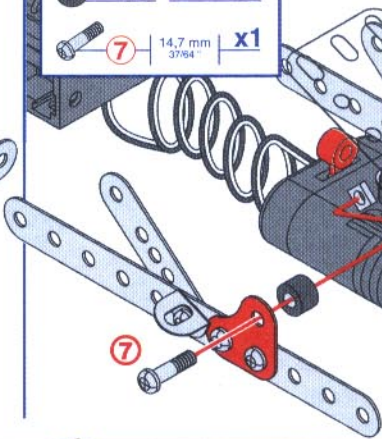




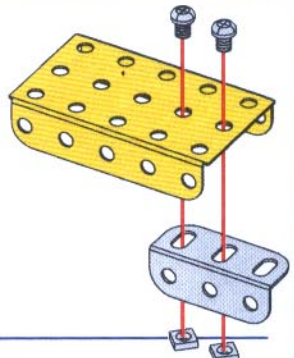
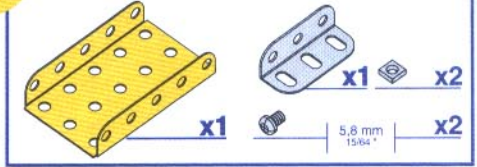
12 11+



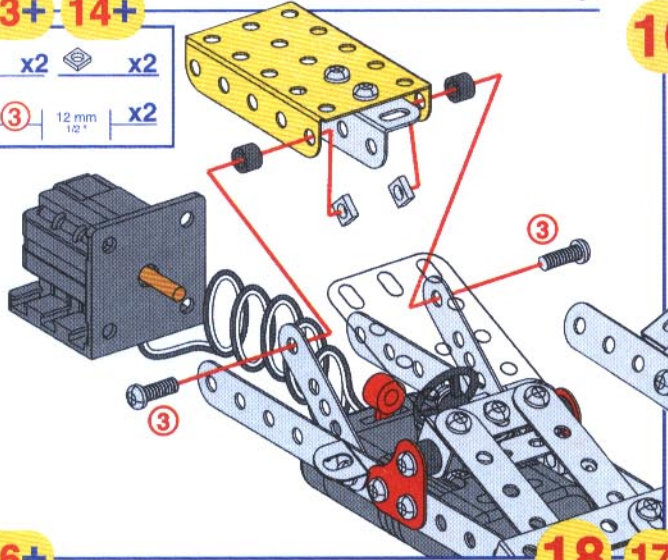
13 10+ 12+



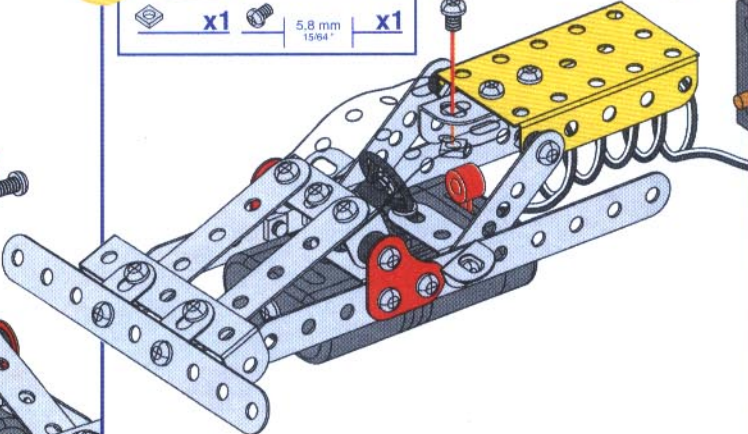
14



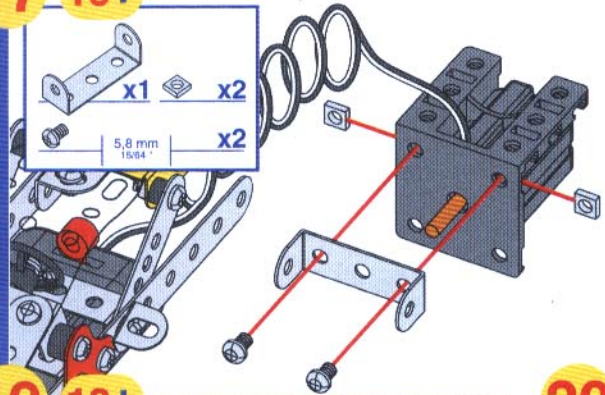
15 13+ 14+



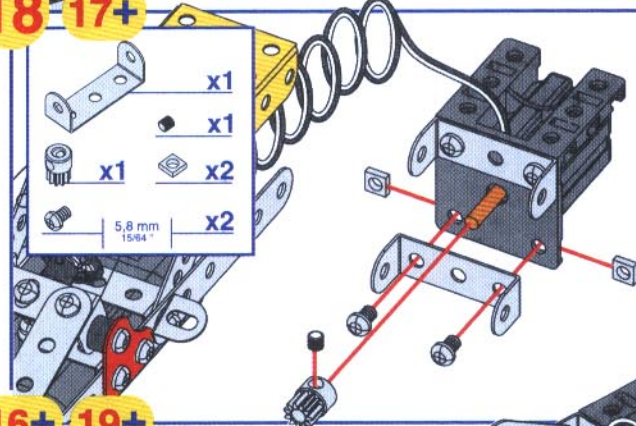
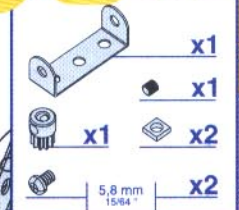
16 15+



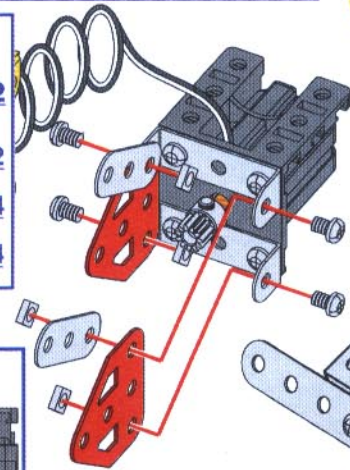
17 16+



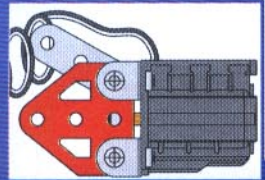
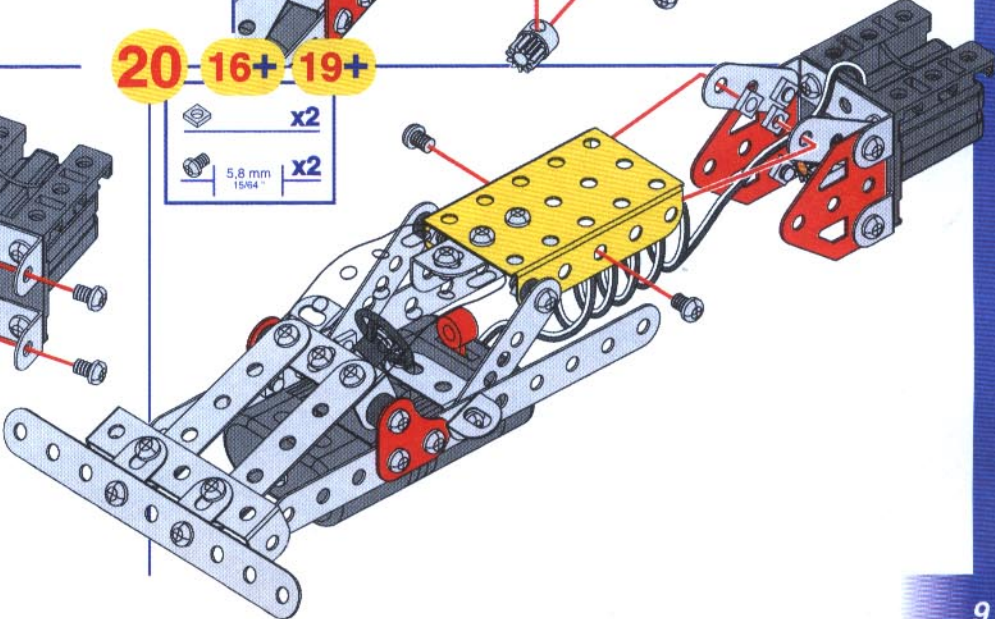
18 17+



19 18+

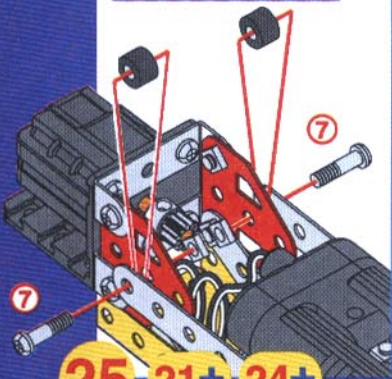


20 16+ 19+



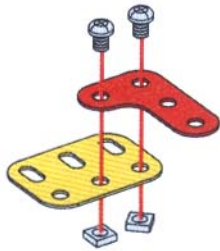
21 20+

- x2 [black bush]
- x2 [grey bush]
- x2 [screw 7]
- 14,7 mm
- 37/64"



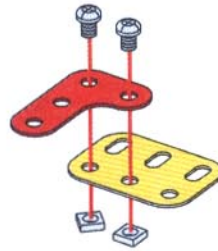
22

- x1 [yellow 1x6 Technic plate]
- x1 [red L-shaped Technic plate]
- x2 [grey bush]
- x2 [screw 5.8 mm]
- 15/64"



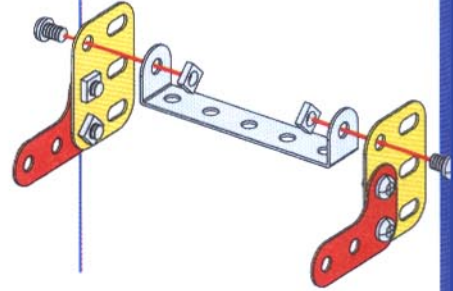
23

- x1 [yellow 1x6 Technic plate]
- x1 [red L-shaped Technic plate]
- x2 [grey bush]
- x2 [screw 5.8 mm]
- 15/64"



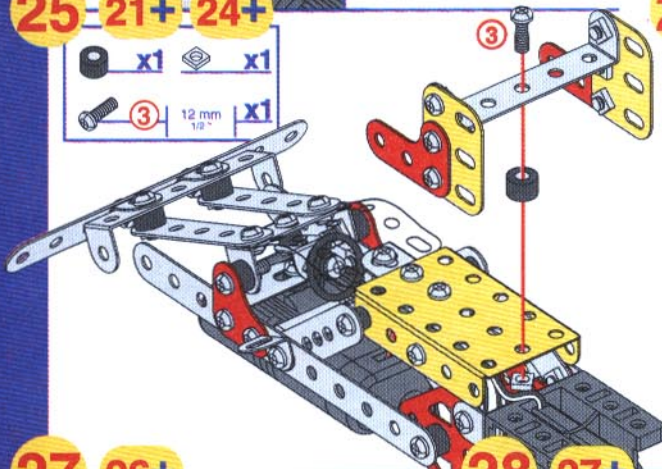
24 22+ 23+

- x2 [grey bush]
- x1 [grey Technic beam 1x10]
- x2 [screw 5.8 mm]
- 15/64"



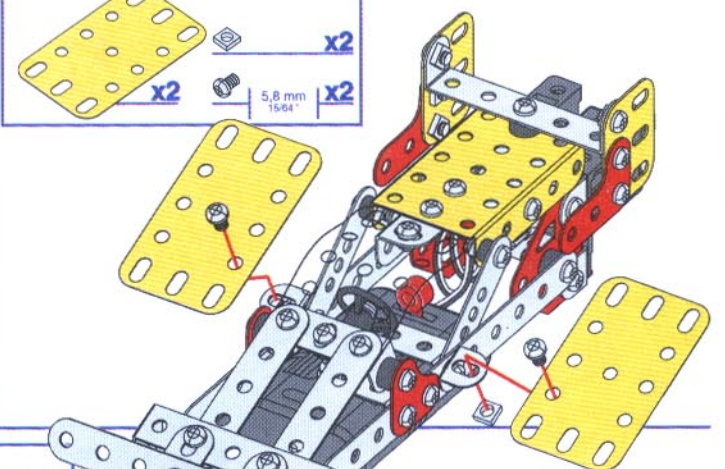
25 21+ 24+

- x1 [black bush]
- x1 [grey bush]
- x1 [screw 3]
- 12 mm
- 1/2"



26 25+

- x2 [yellow 1x6 Technic plate]
- x2 [grey bush]
- x2 [screw 5.8 mm]
- 15/64"

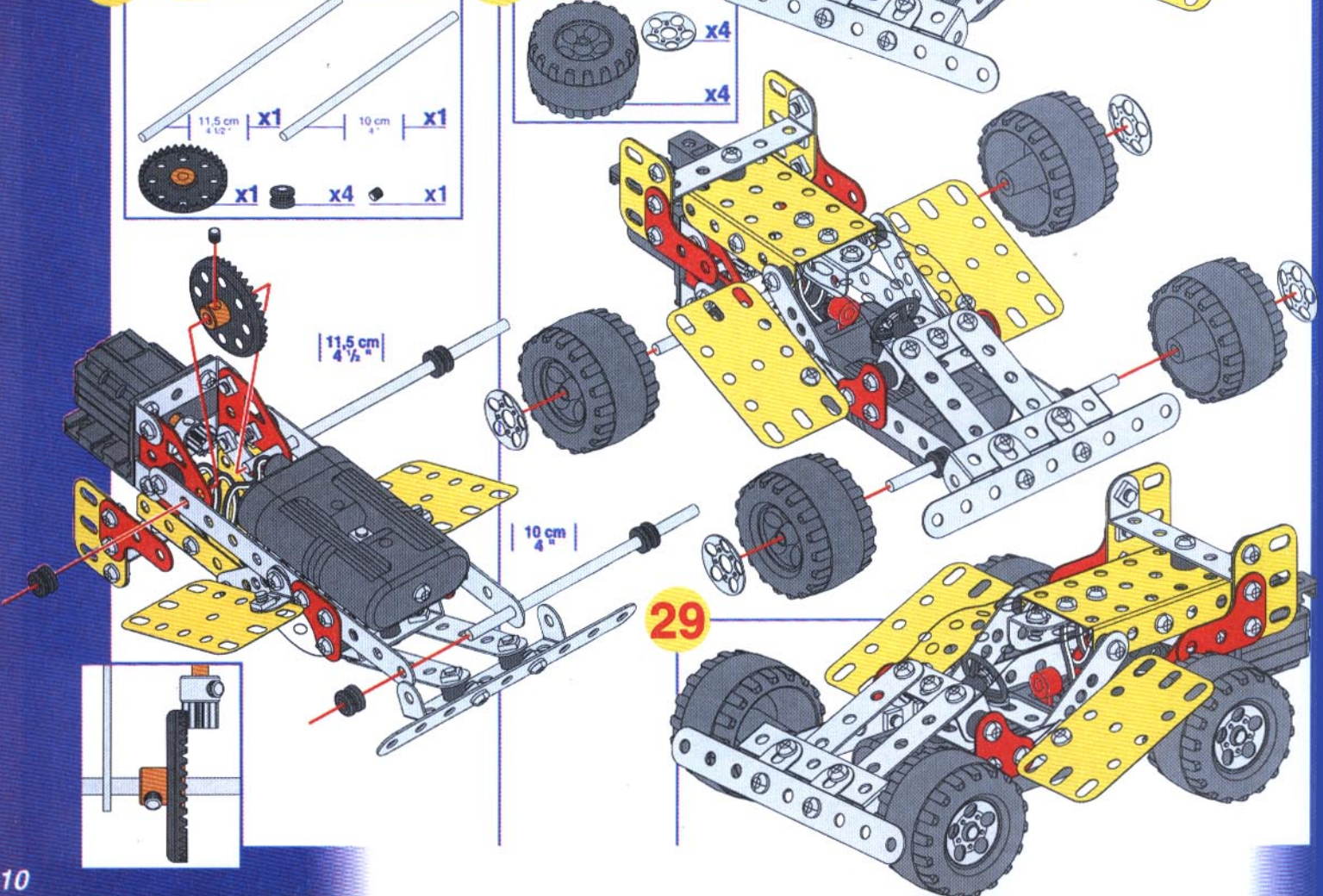


27 26+

- x1 [grey Technic beam 1x11.5 cm]
- x1 [grey Technic beam 1x10 cm]
- x1 [black gear 24 teeth]
- x4 [black bush]
- x1 [grey bush]

28 27+

- x4 [grey wheel 48 mm]
- x4 [grey wheel 20 mm]

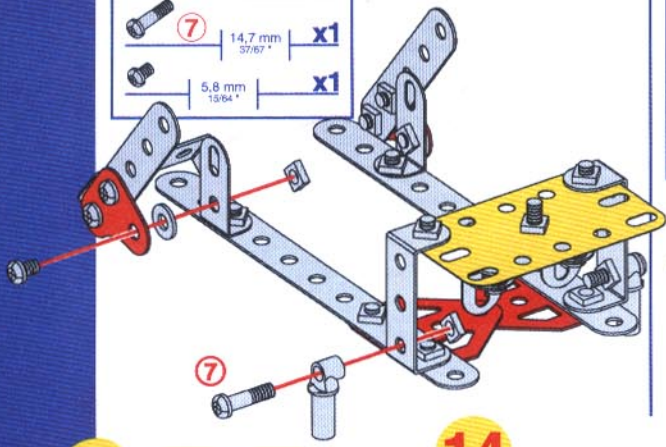


29



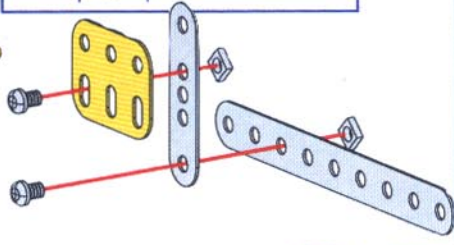
10 8+ 9+

- x1
- x1
- x2
- ⑦ 14,7 mm 37/67 x1
- 5,8 mm 15/64 x1



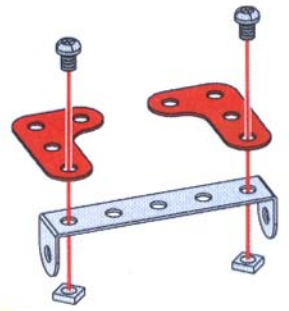
11

- x1
- x1
- x1
- x2
- 5,8 mm 15/64 x2



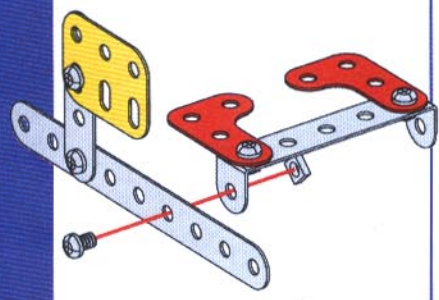
12

- x1
- x2
- x2
- 5,8 mm 15/64 x2



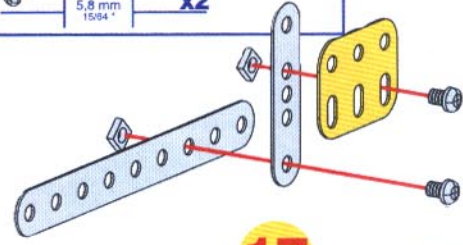
13 11+ 12+

- x1
- 5,8 mm 15/64 x1



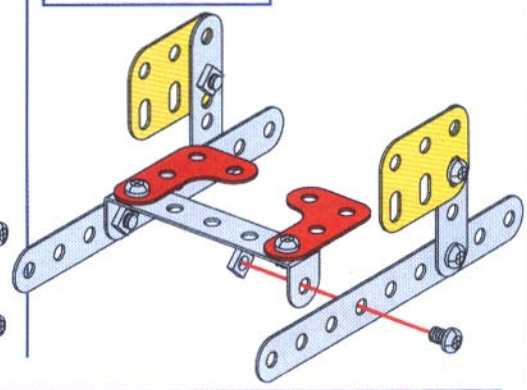
14

- x1
- x1
- x1
- x2
- 5,8 mm 15/64 x2



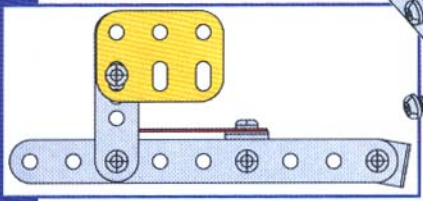
15 13+ 14+

- x1
- 5,8 mm 15/64 x1



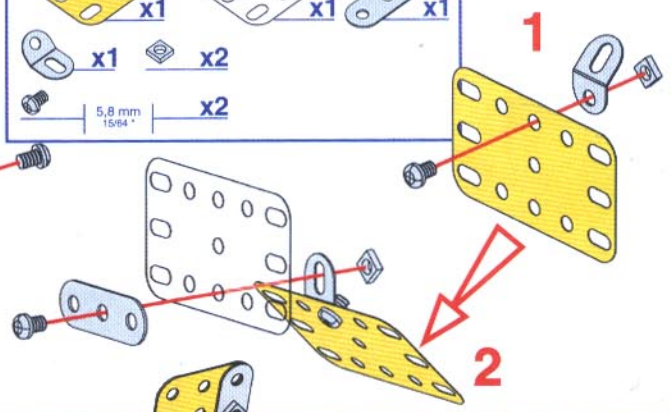
16 15+

- x1
- x2
- 5,8 mm 15/64 x2



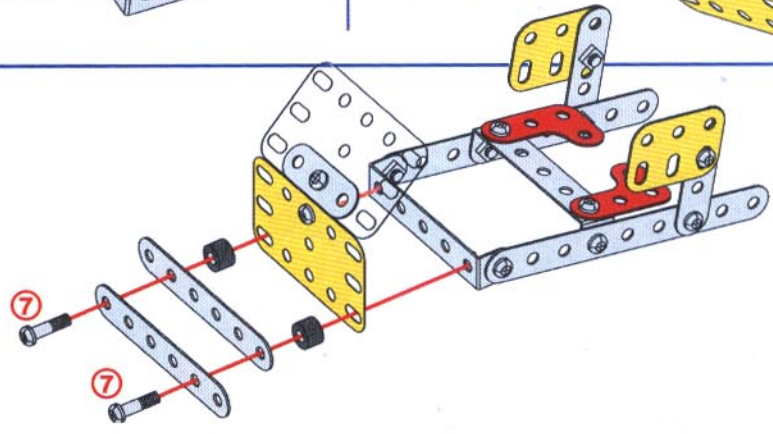
17

- x1
- x1
- x1
- x1
- x2
- 5,8 mm 15/64 x2





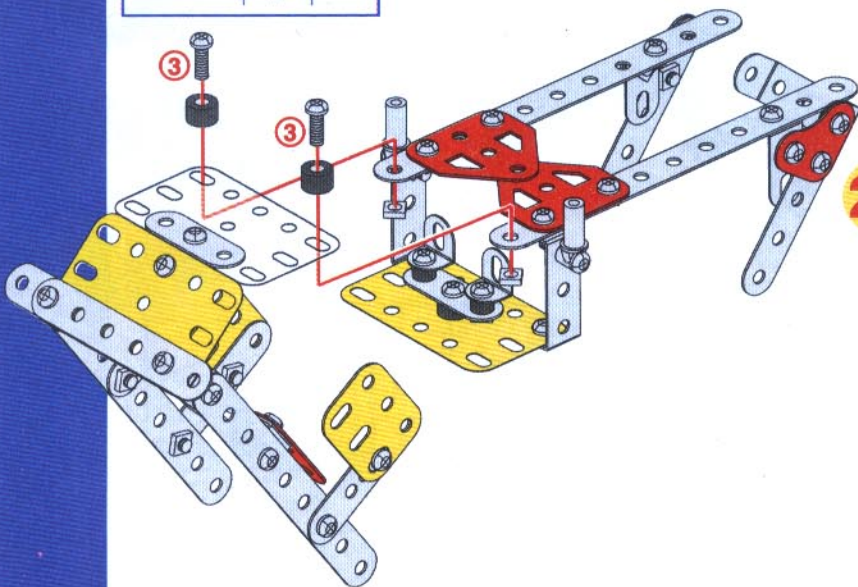
18 16+ 17+

- x2
- x2
- x2
- ⑦ 14,7 mm 37/64 x2







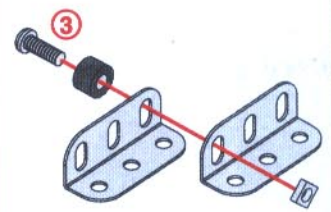
**19 10+ 18+**

	x2		x2
	③	12 mm	x2
		1/2"	

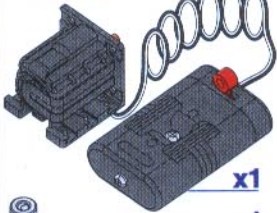






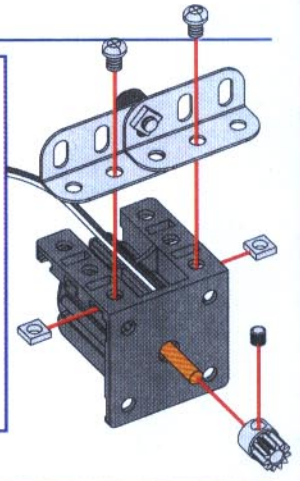
**20**

	x2		
	x1		
	x1		
	③	12 mm	x1
		1/2"	



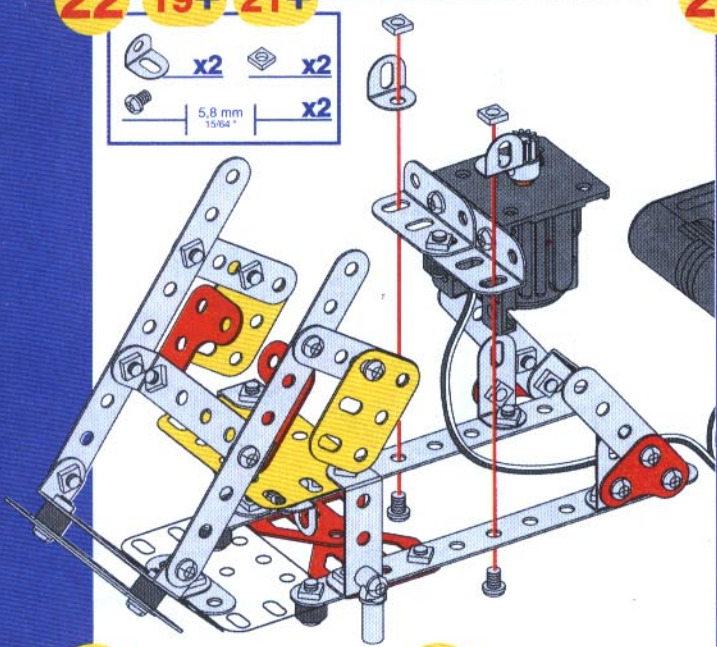
**21 20+**

	x1		
	x1		
	x1		x2
	x2	5,8 mm	x2
		15/64"	



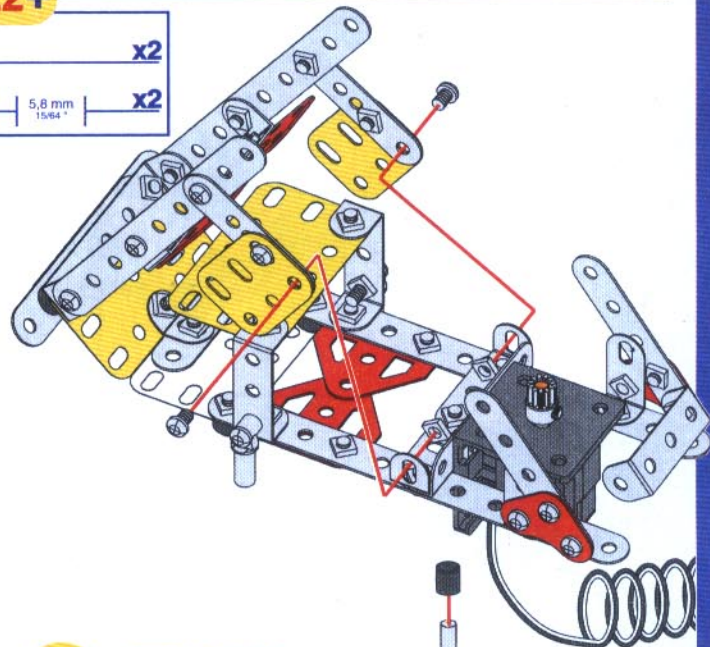
**22 19+ 21+**

	x2		x2
	x2	5,8 mm	x2
		15/64"	





**23 22+**

	x2		
	x2	5,8 mm	x2
		15/64"	

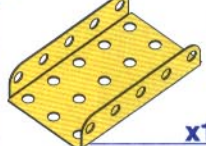





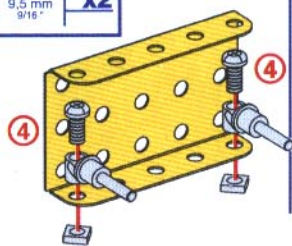
**24**

	x1		
	x1		
	x1		
	⑦	14,7 mm	x1
		37/64"	

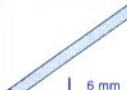






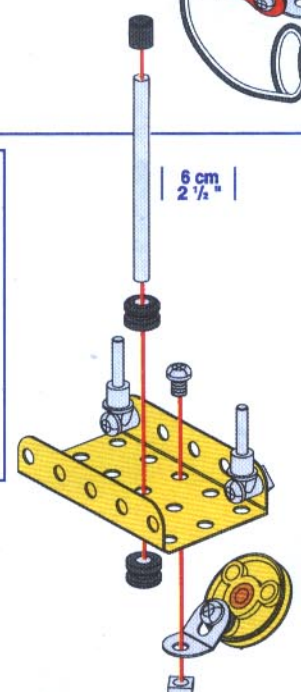
**25**

	x1		
	x2		
	x2		
	④	9,5 mm	x2
		9/16"	

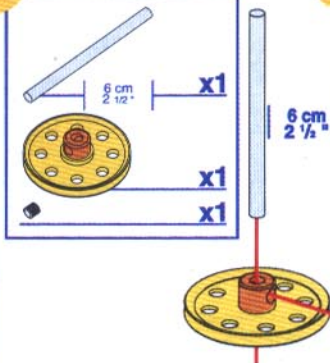


**26 24+ 25+**

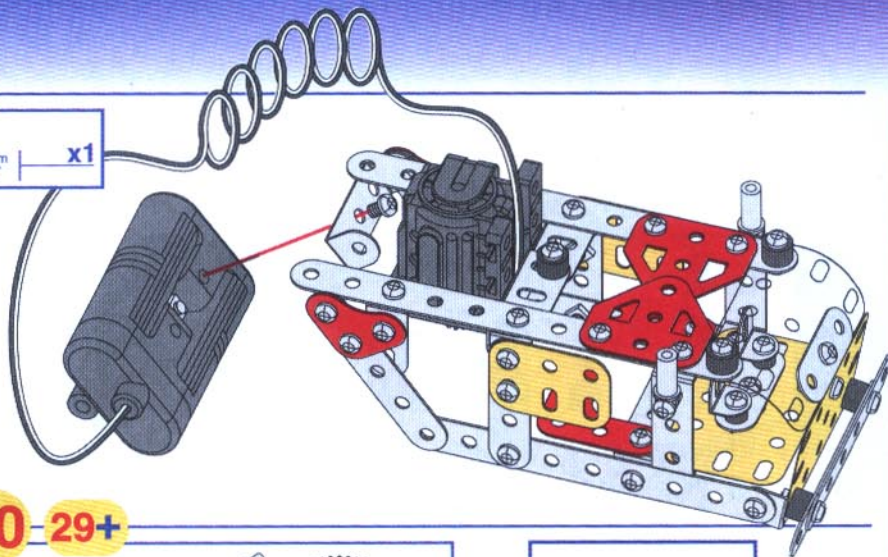
	x1	6 mm	x1
		2 1/2"	
	x1		x2
	x1		x1
		5,8 mm	x1
		15/64"	



27



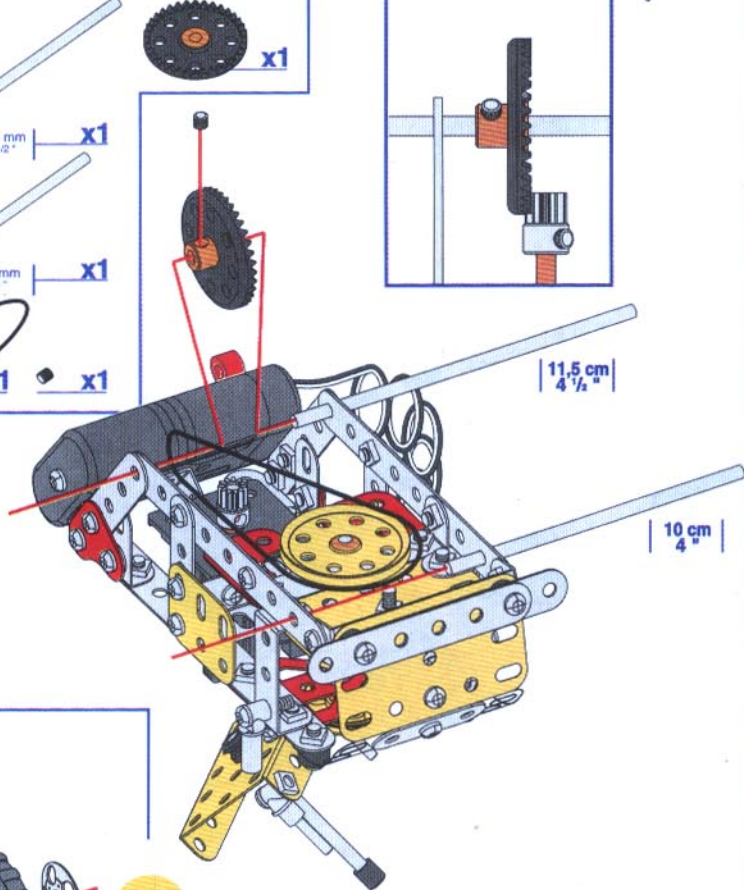
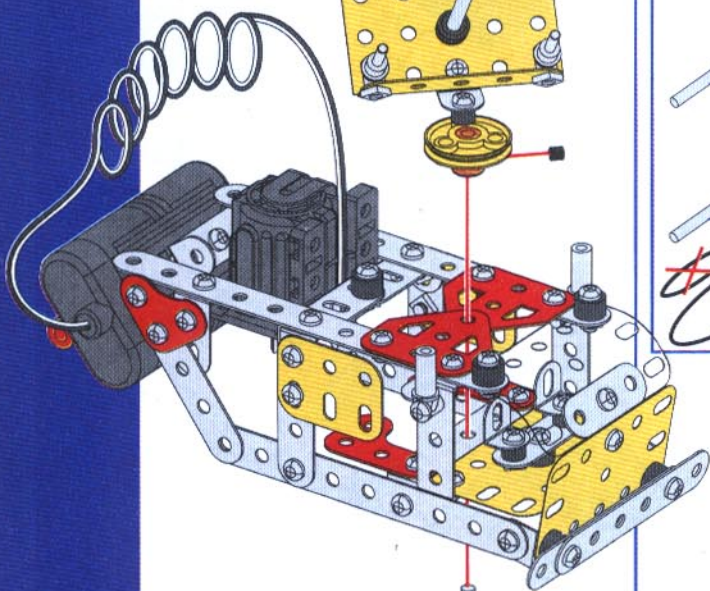
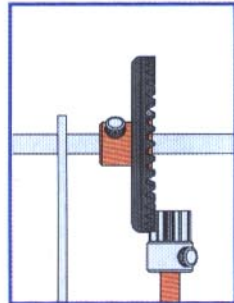
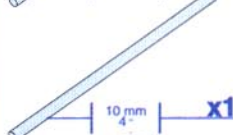
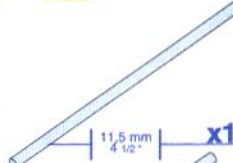
28 23+



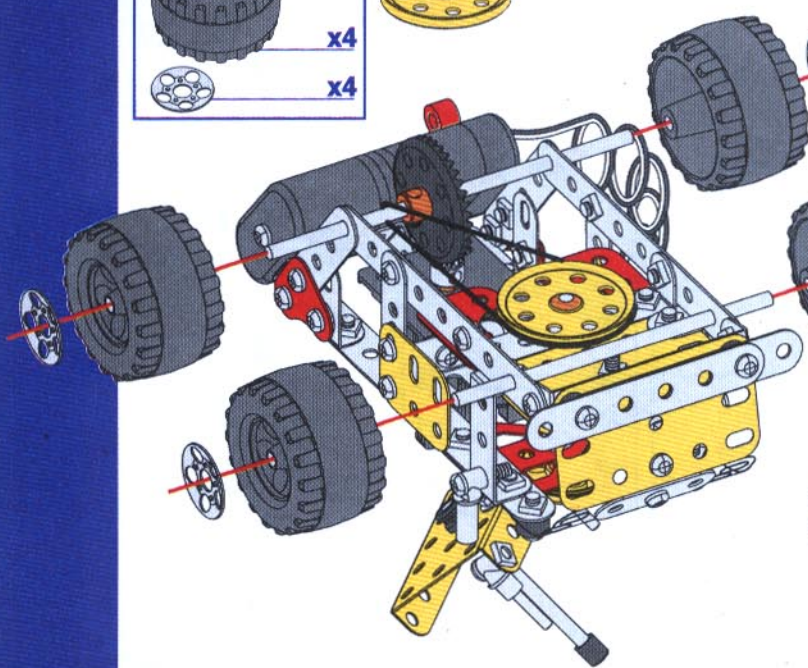
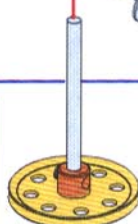
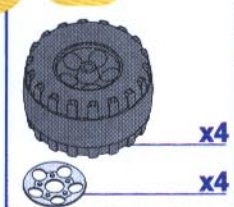
29 26+ 27+ 28+



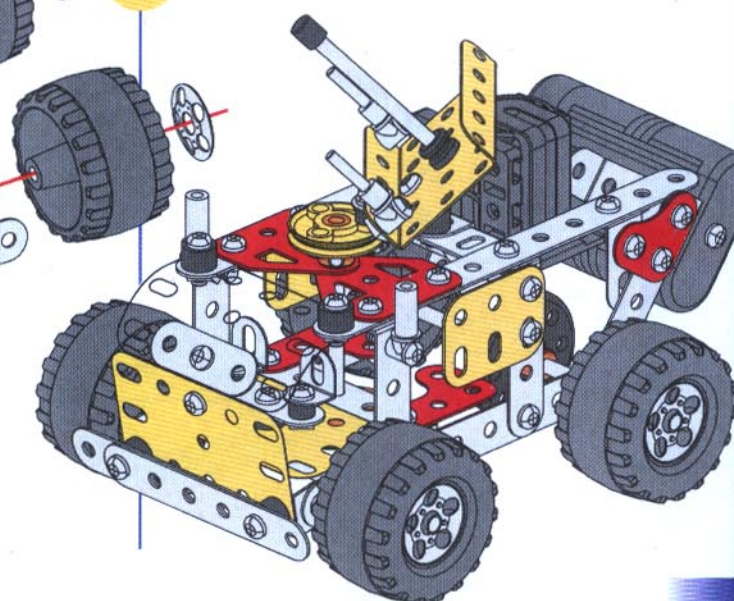
30 29+



31 30+



32

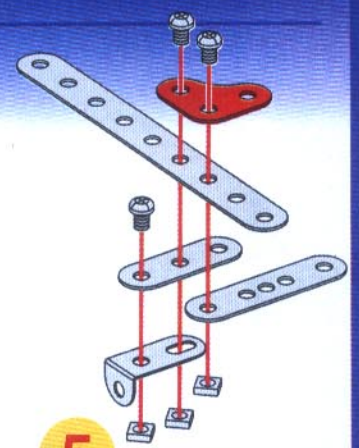




**1**

	x1
	x1
	x1
	x1
	x1
	x3
	x3

5,8 mm  
15/64"



**2**

	x1
	x1
	x1
	x1

5,8 mm  
15/64"

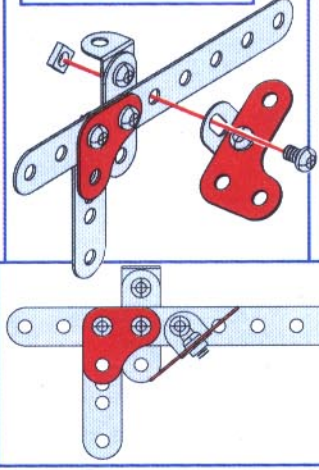


**3**

**1+ 2+**

	x1
	x1

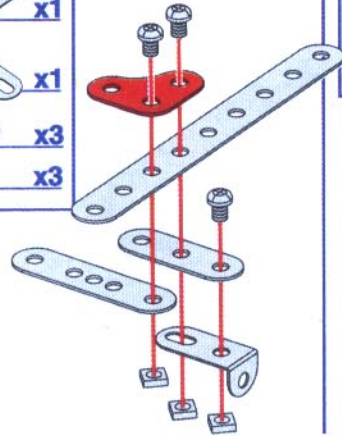
5,8 mm  
15/64"



**4**

	x1
	x1
	x1
	x1
	x1
	x3
	x3

5,8 mm  
15/64"



**5**

	x1
	x1
	x1
	x1

5,8 mm  
15/64"

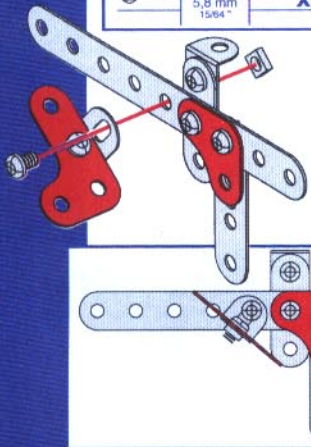


**6**

**4+ 5+**

	x1
	x1

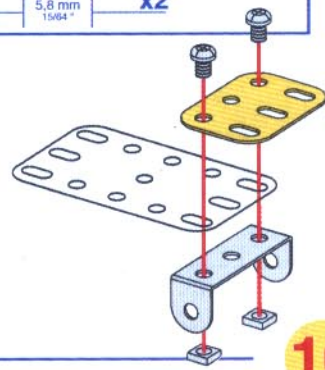
5,8 mm  
15/64"



**7**

	x1
	x1
	x1
	x1
	x2
	x2

5,8 mm  
15/64"

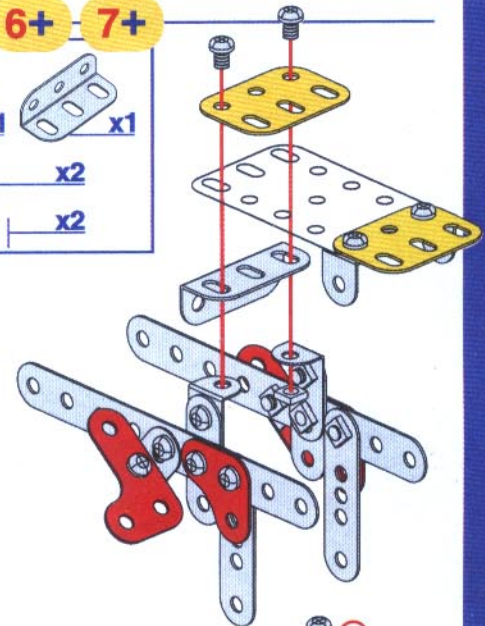


**8**

**3+ 6+ 7+**

	x1
	x1
	x2
	x2

5,8 mm  
15/64"



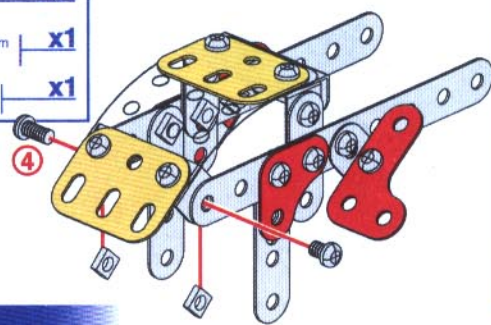
**9**

**8+**

	x2
	x1
	x1

9,5 mm  
3/8"

5,8 mm  
15/64"

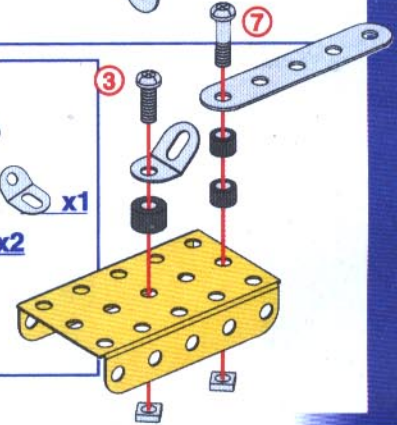


**10**

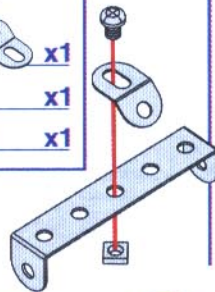
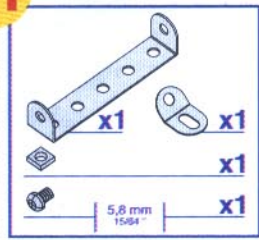
	x1
	x1
	x1
	x2
	x2
	x1
	x1

14,7 mm  
37/64"

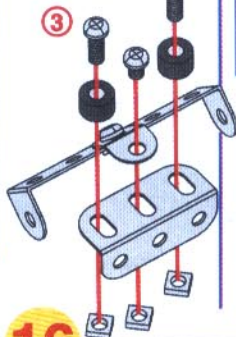
12 mm  
1/2"



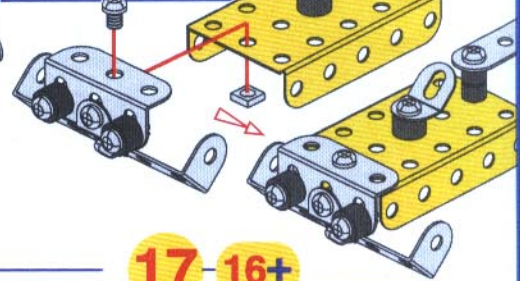
11



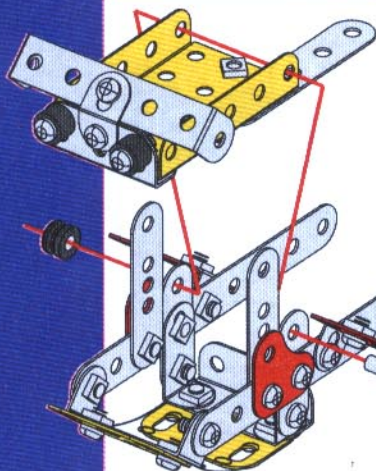
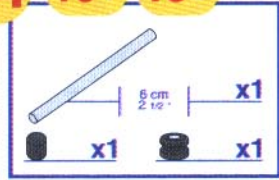
12 11+



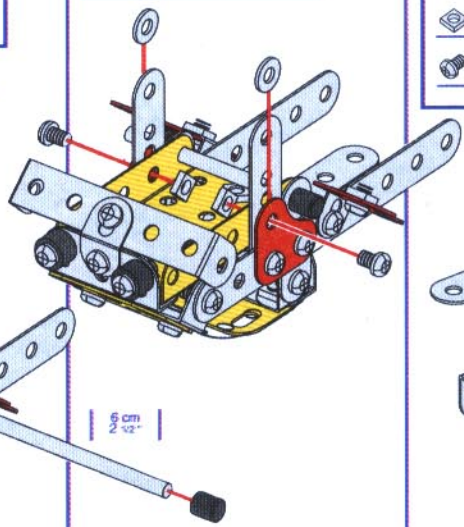
13 10+ 12+



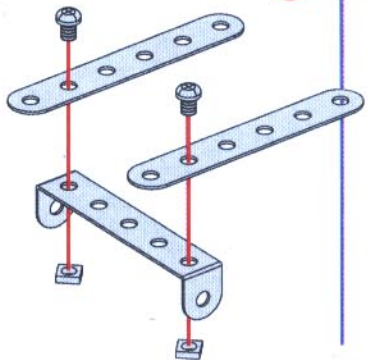
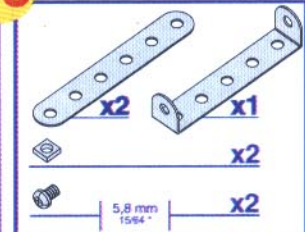
14 10+ 13+



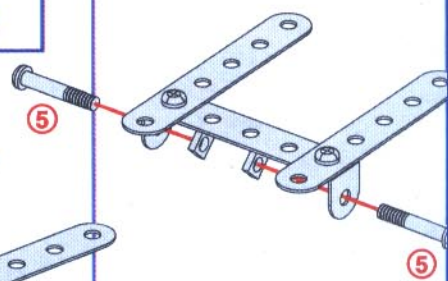
15 14+



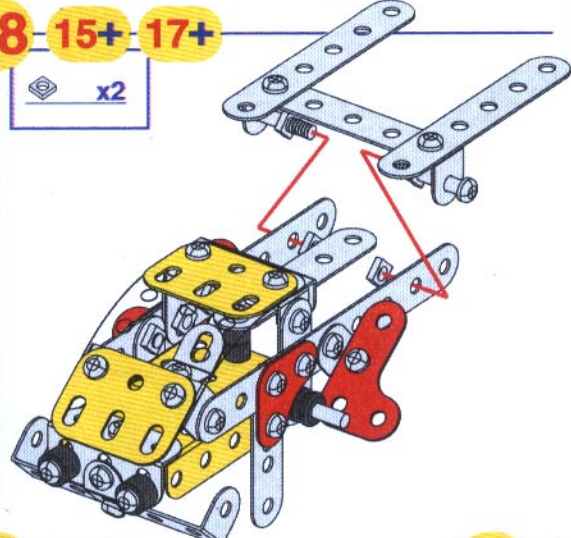
16



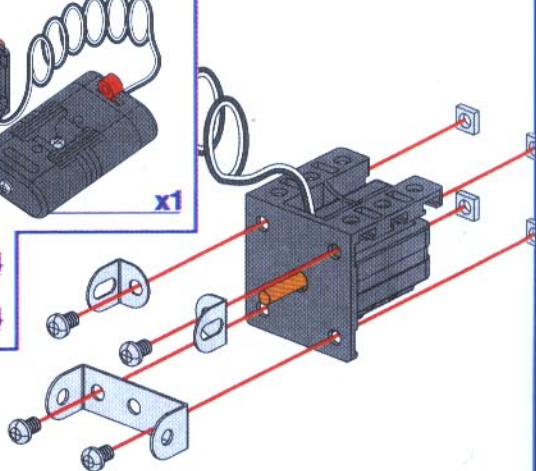
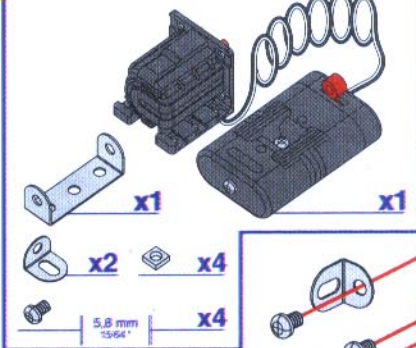
17 16+



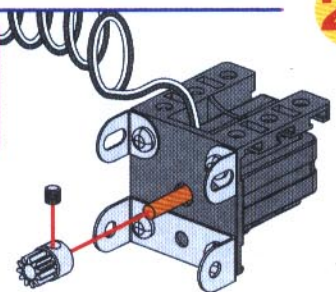
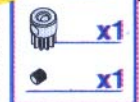
18 15+ 17+



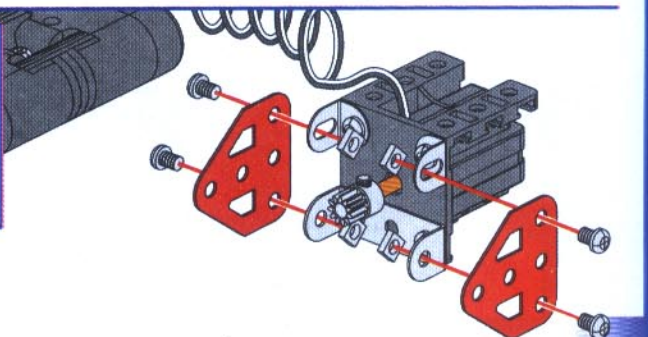
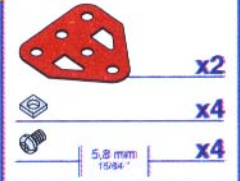
19



20 19+

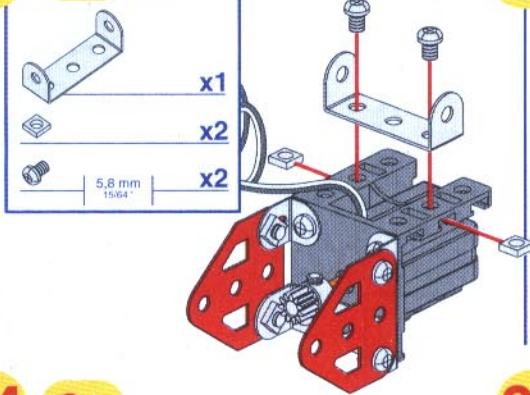


21 20+

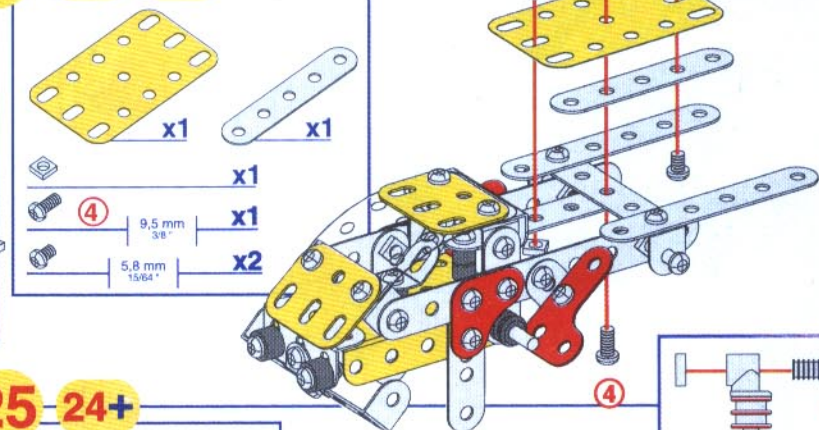




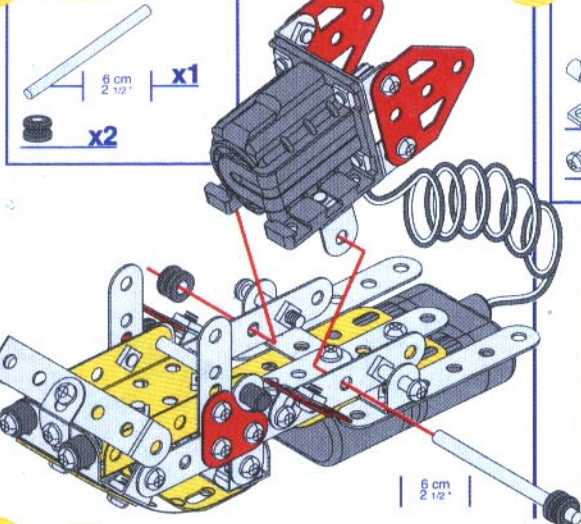
22 21+



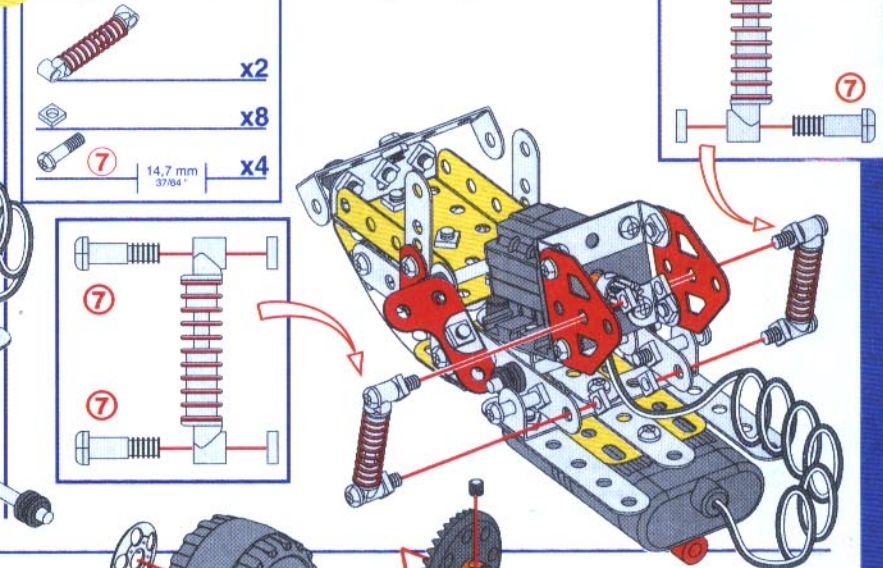
23 18+ 22+



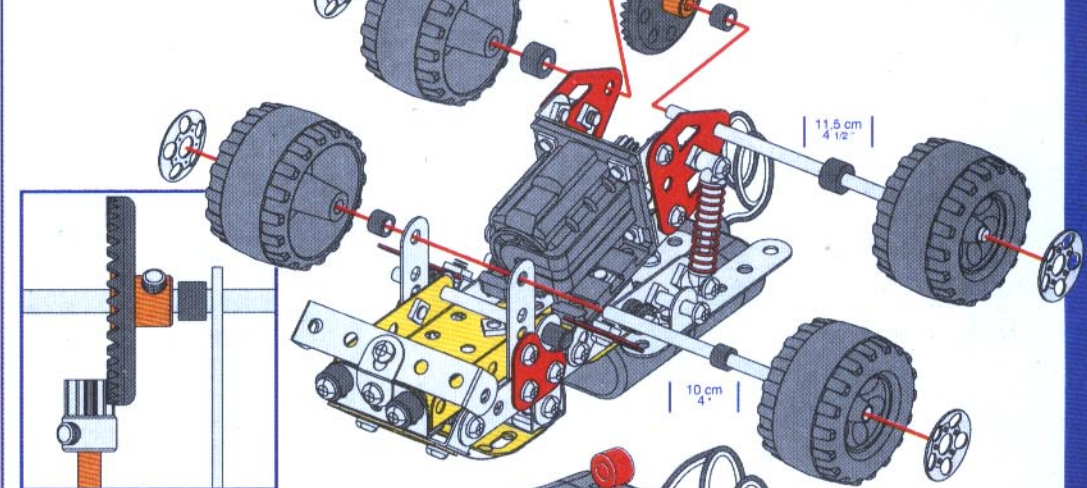
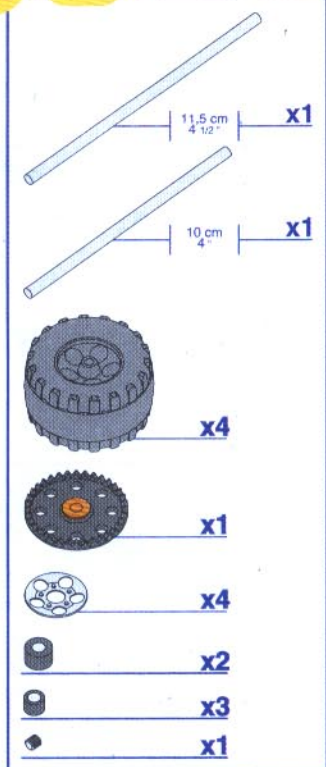
24 3+



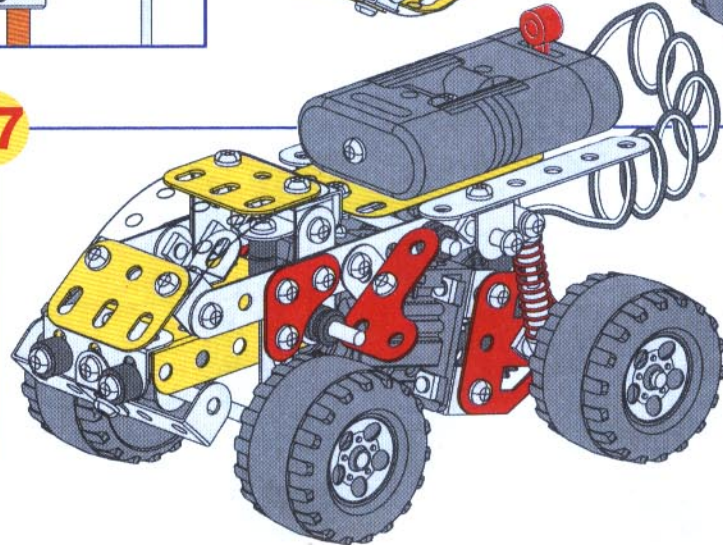
25 24+



26 25+



27





12

- x1
- x1
- x1
- 5,8 mm 15/64" x1



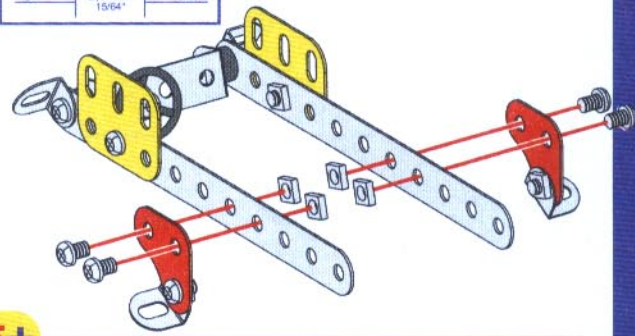
13

- x1
- x1
- x1
- 5,8 mm 15/64" x1



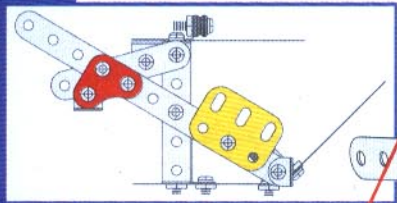
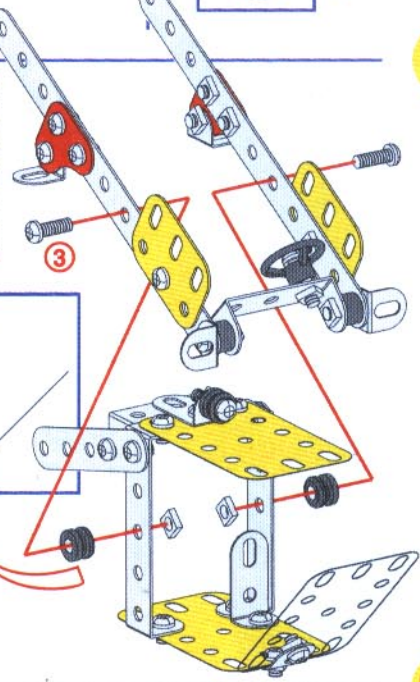
14 11+ 12+ 13+

- x4
- 5,8 mm 15/64" x4



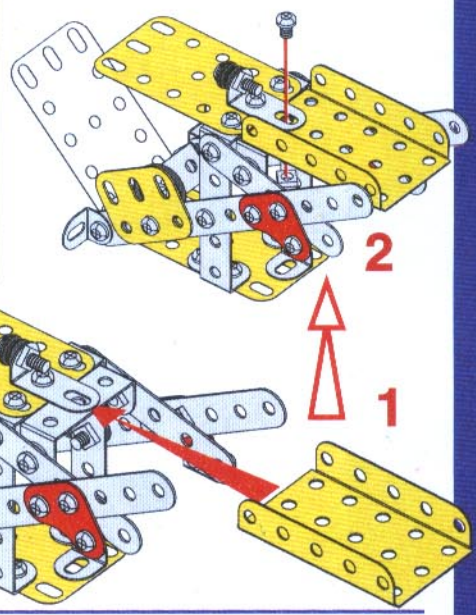
15 6+ 14+

- x2
- x2
- 12 mm 1/2" x2



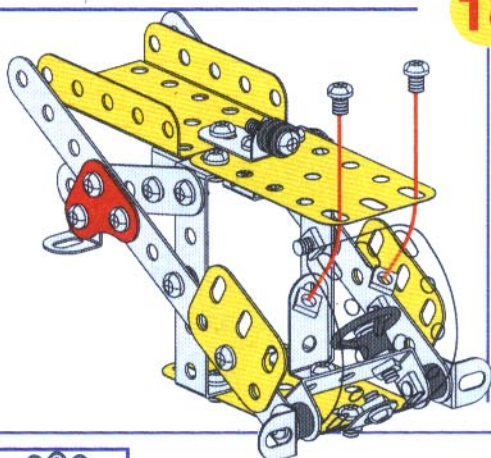
16 15+

- x1
- x1
- 5,8 mm 15/64" x1



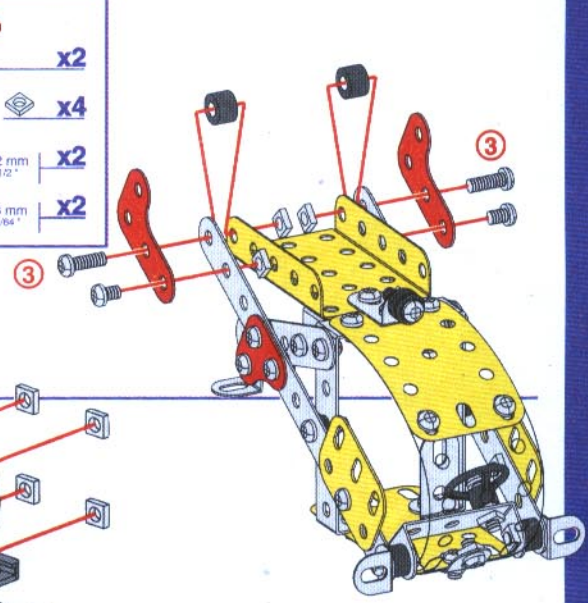
17 16+

- x2
- 5,8 mm 15/64" x2



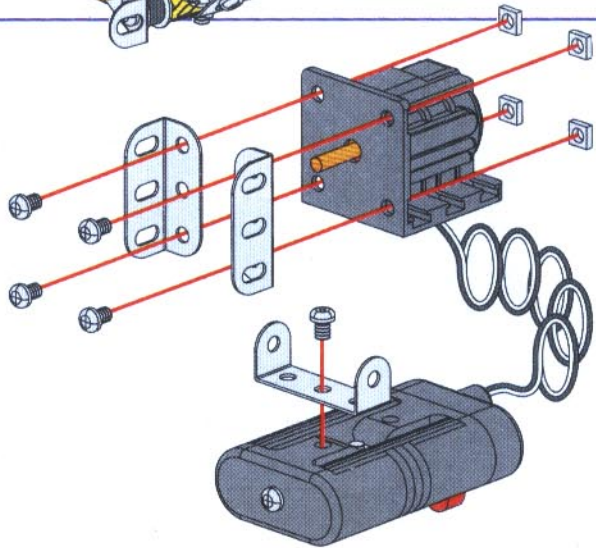
18 17+

- x2
- x2
- 12 mm 1/2" x2
- x4
- 5,8 mm 15/64" x2



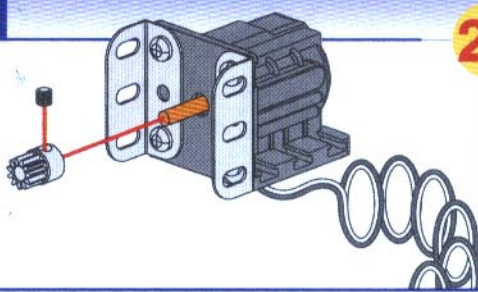
19

- x1
- x1
- x2
- x4
- 5,8 mm 15/64" x5



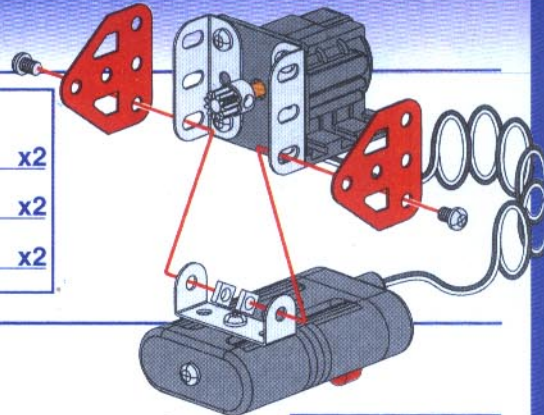
20 19+

- x1
- x1



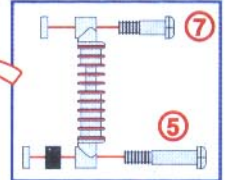
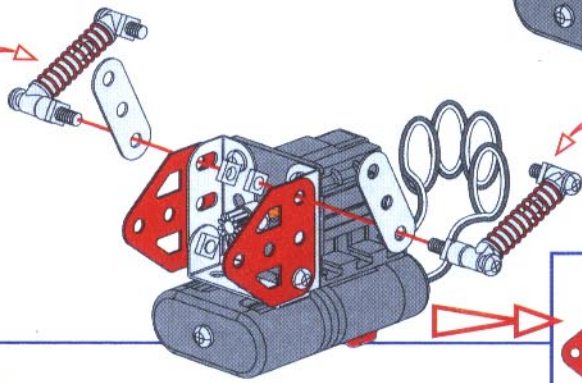
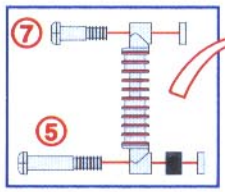
21 20+

- x2
- x2
- x2
- 5,8 mm | 15/64" x2



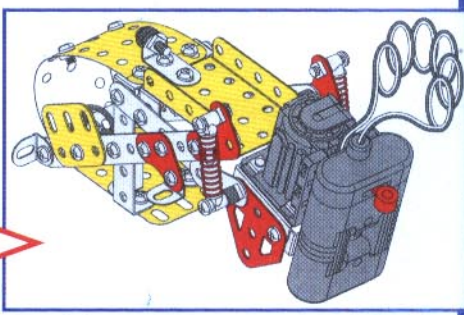
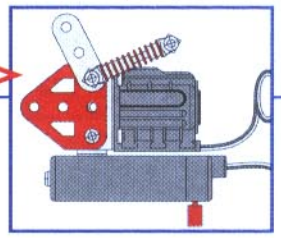
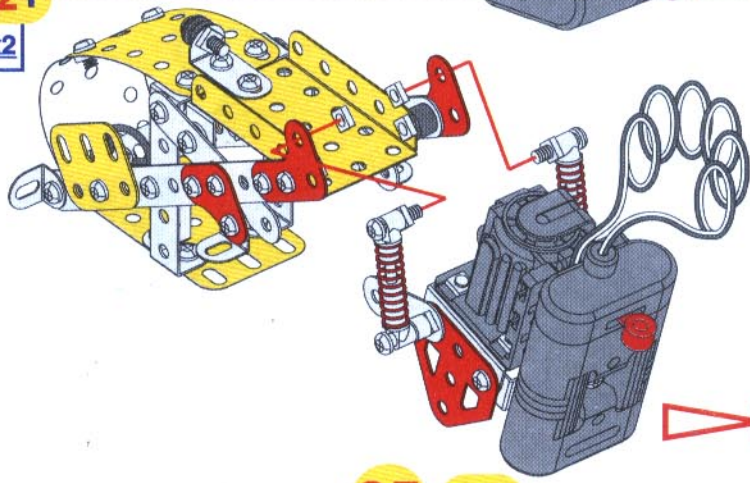
22 21+

- x2
- x2
- x2
- x6
- 23m | 29/32" x2
- 14,7 mm | 37/64" x2



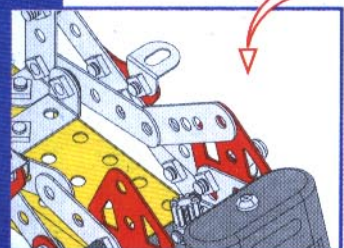
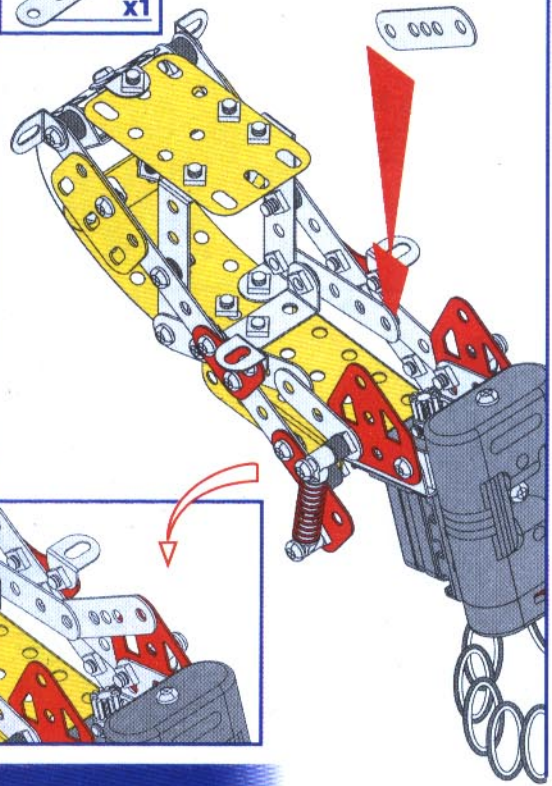
23 18+ 22+

- x2



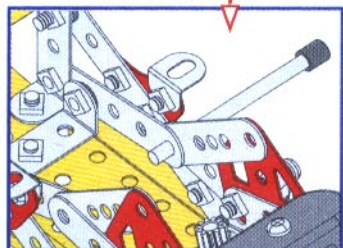
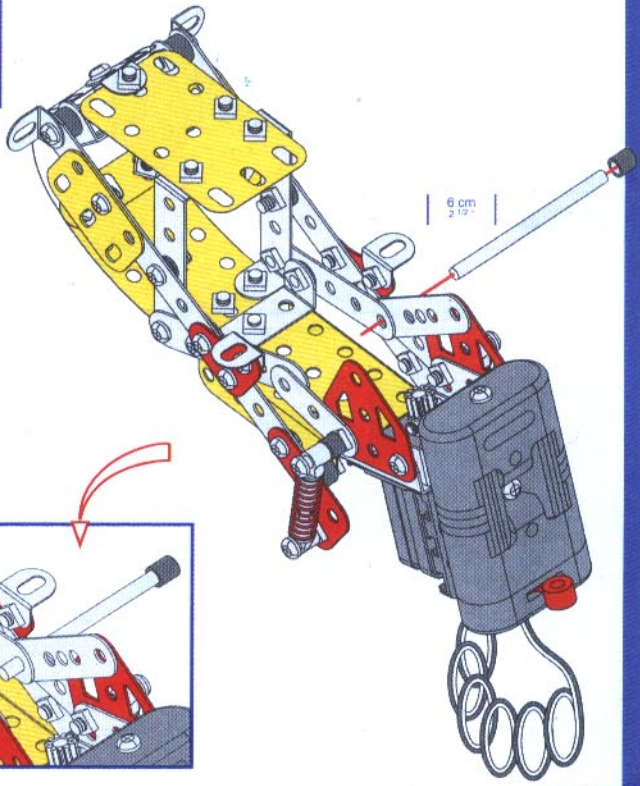
24 23+

- x1





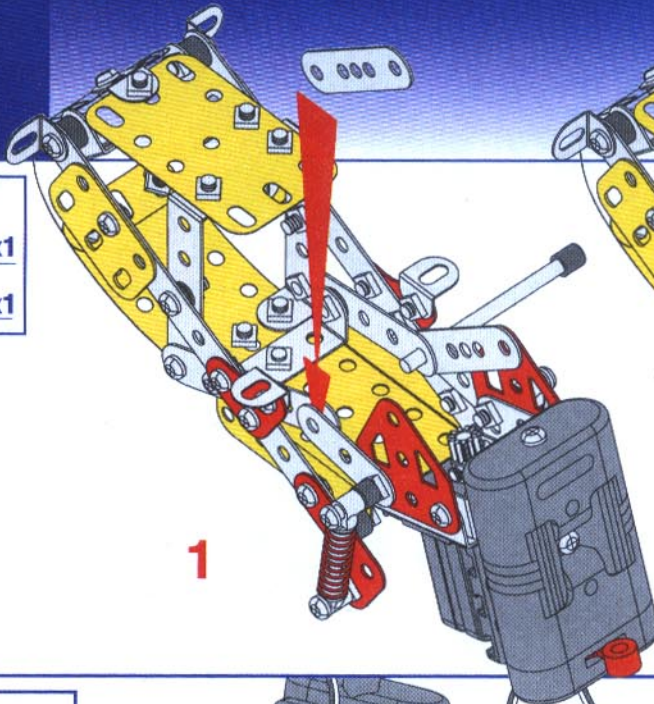
25 24+

- 6 cm | 2 1/2" x1
- x1

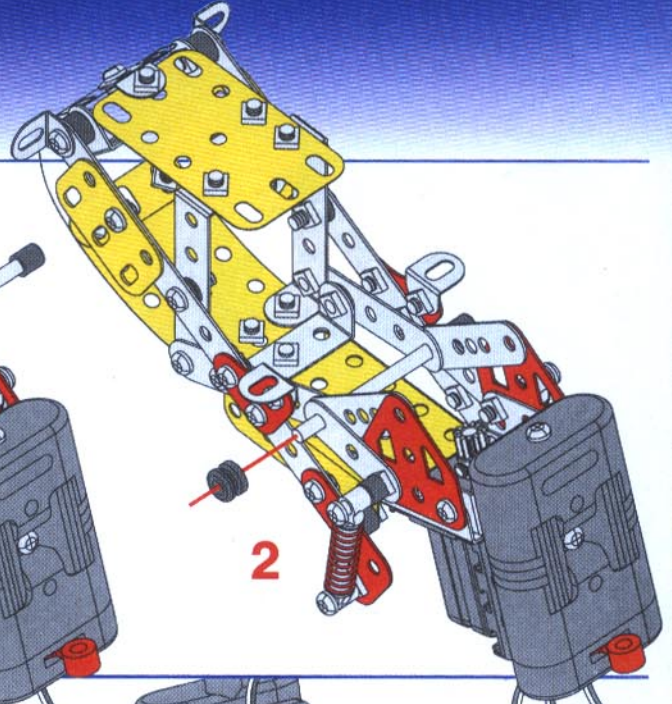


26 25+

-  x1
-  x1






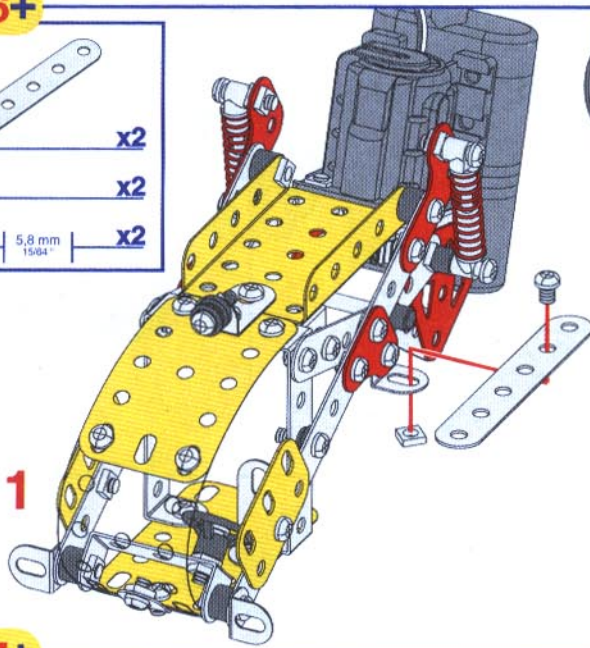
1



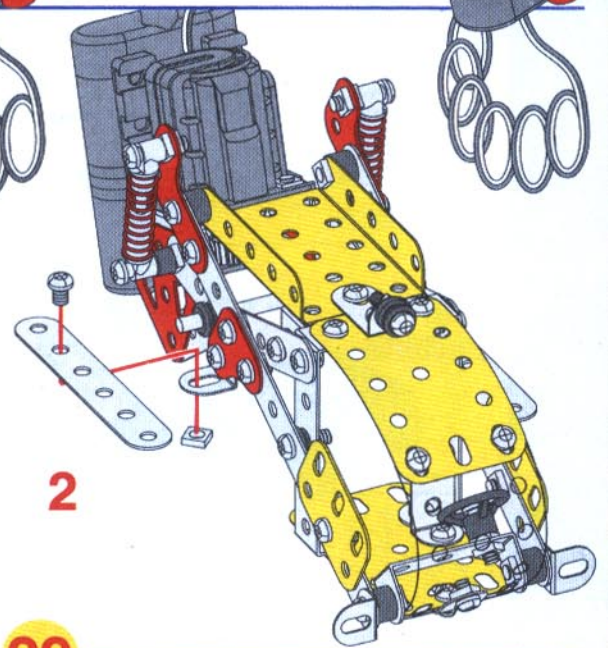
2

27 26+

-  x2
-  x2
-  5,8 mm 15/64" x2

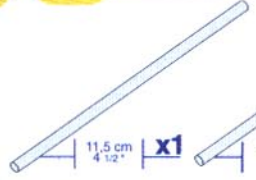
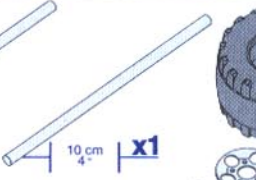
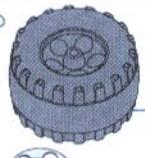







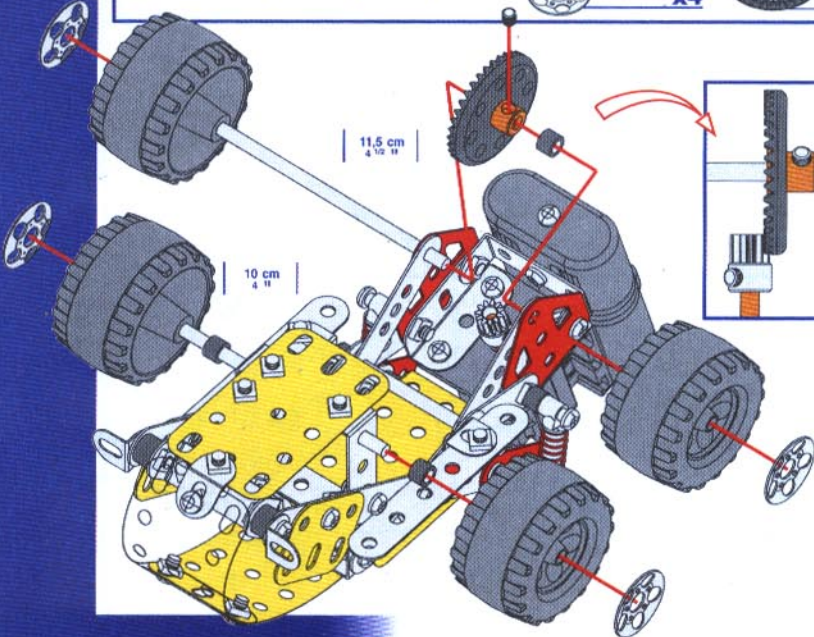
1



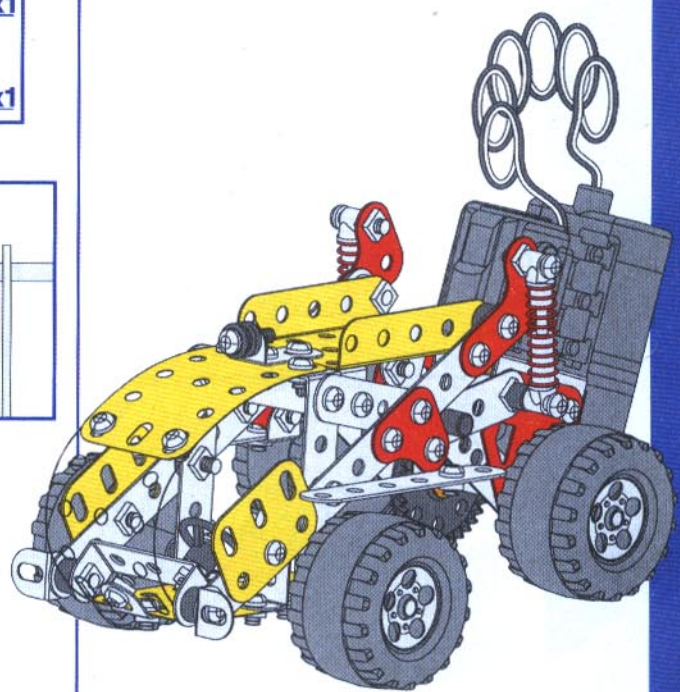
2

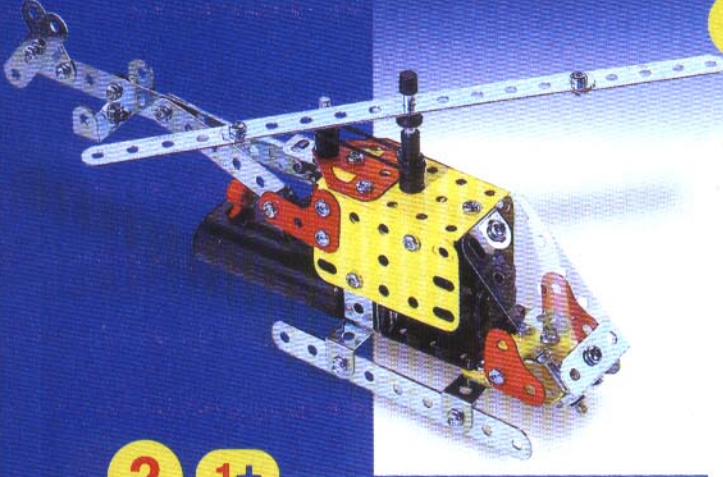
28 27+

-  11,5 cm 4 1/2" x1
-  10 cm 4" x1
-  x4
-  x1
-  x3
-  x1
-  x4
-  x1

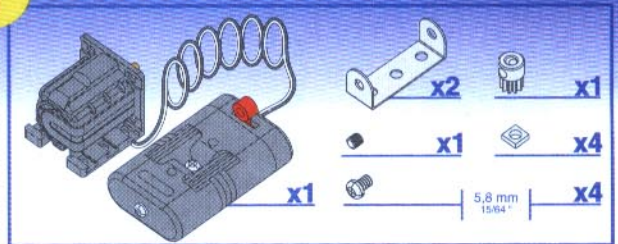


29

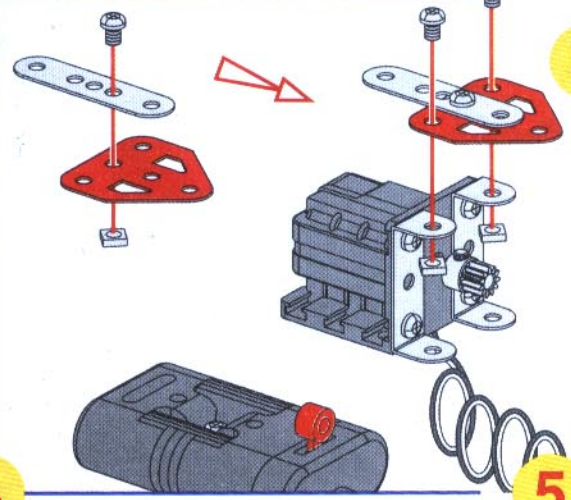
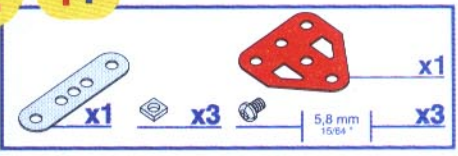




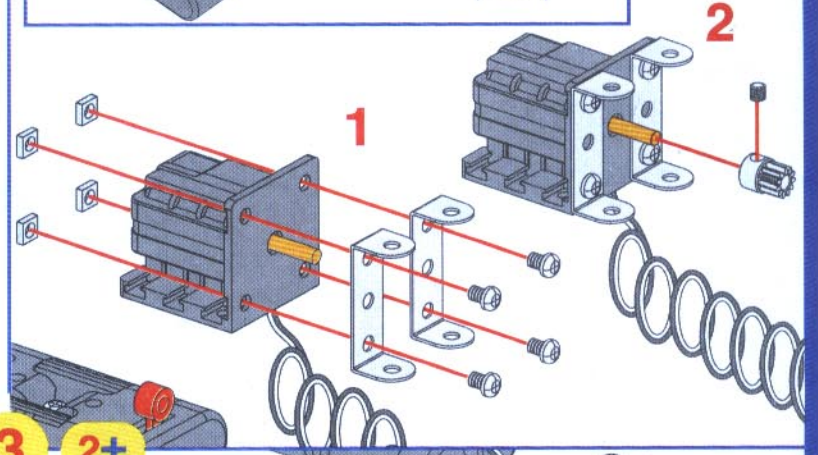
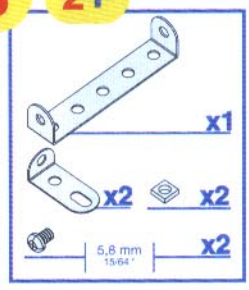
**1**



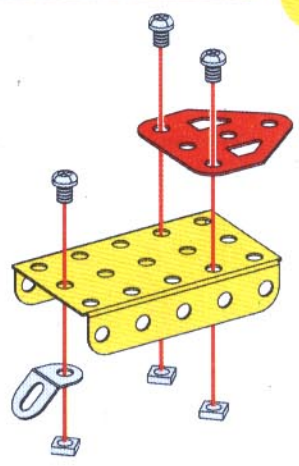
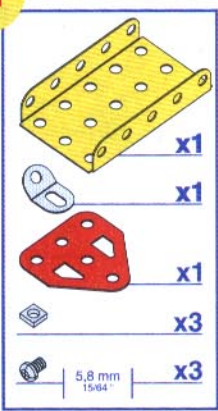
**2 1+**



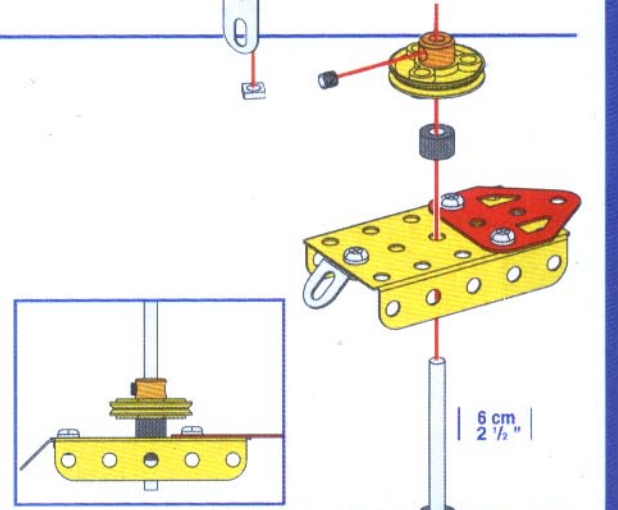
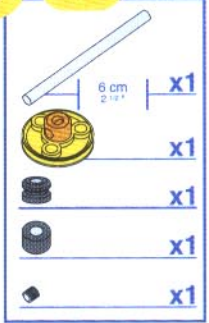
**3 2+**



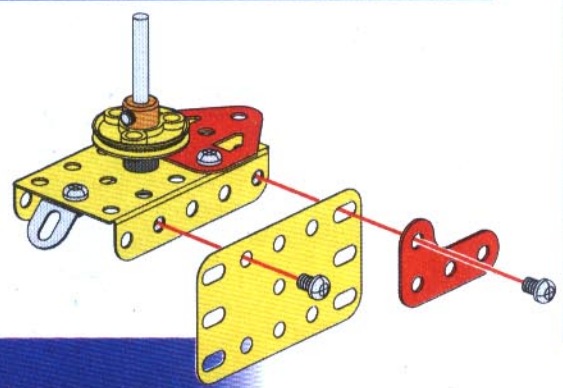
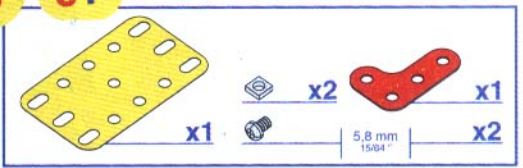
**4**



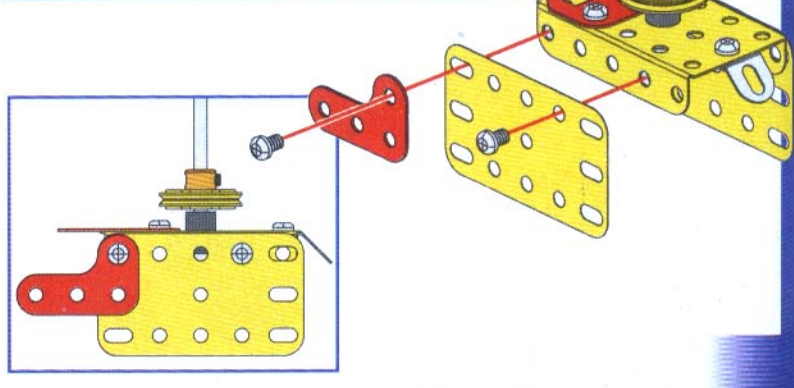
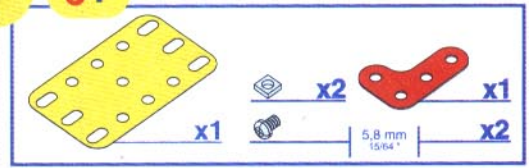
**5 4+**







**6 5+**

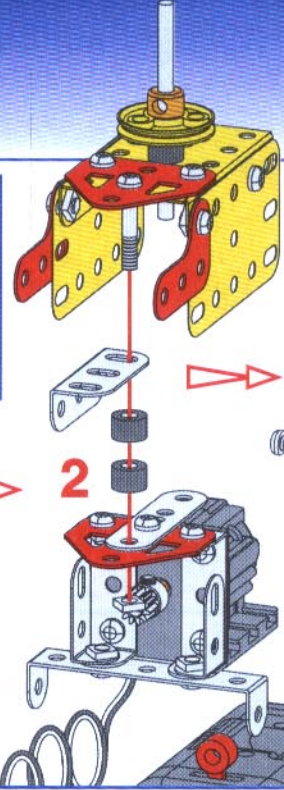
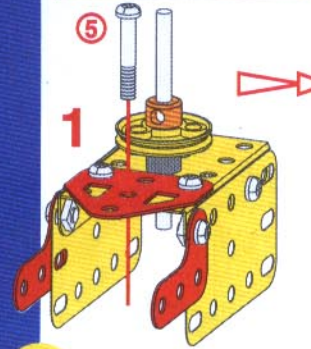


**7 6+**



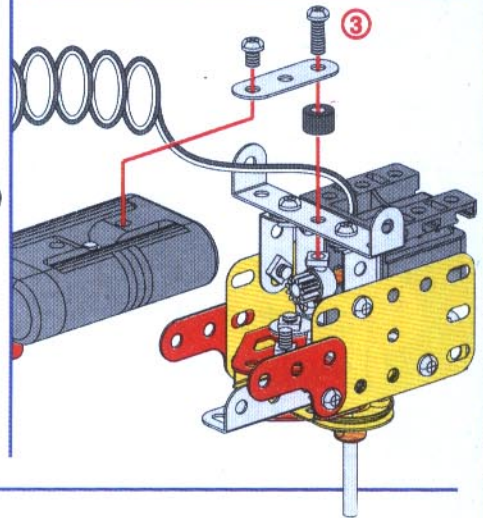
**8** **3+** **7+**

-  x1
-  x2
-  5, 23 mm 29/32" x1
-  5, 5,8 mm 15/64" x2
-  x3





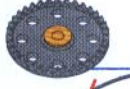



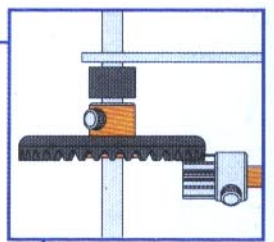
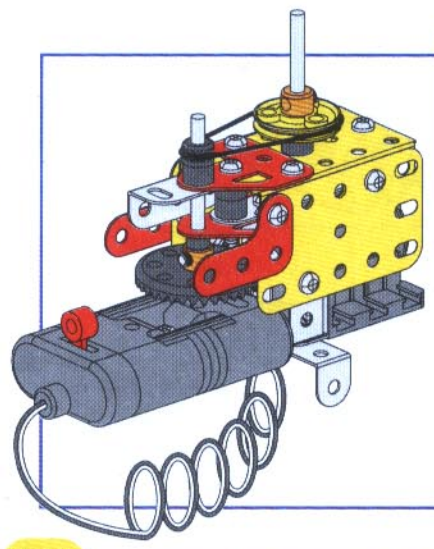
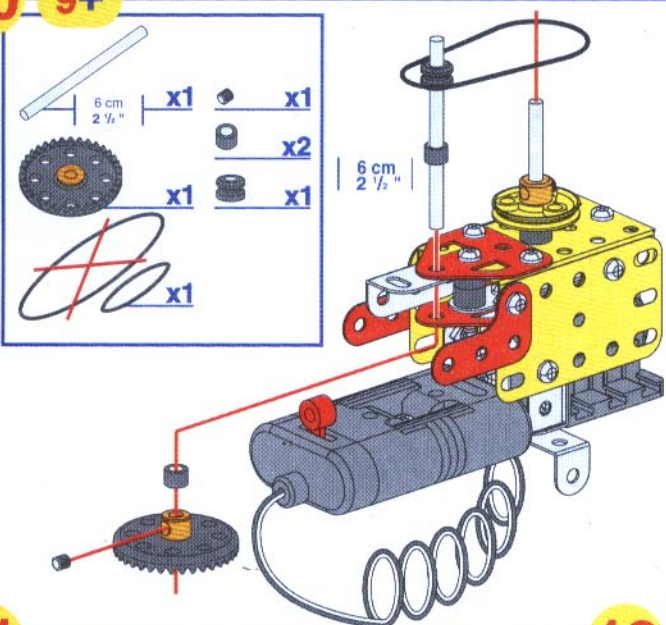
**9** **8+**

-  x1
-  3, 12 mm 1/2" x1
-  x1
-  3, 5,8 mm 15/64" x1







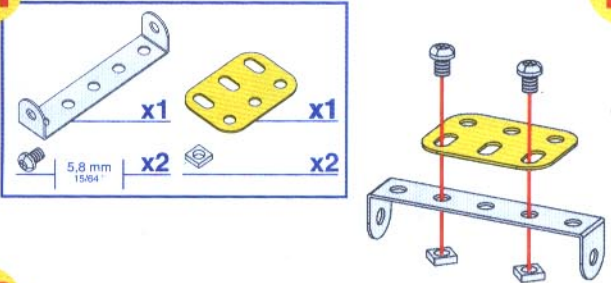
**10** **9+**

-  6 cm 2 1/2" x1
-  x1
-  x2
-  x1
-  x1
-  x1








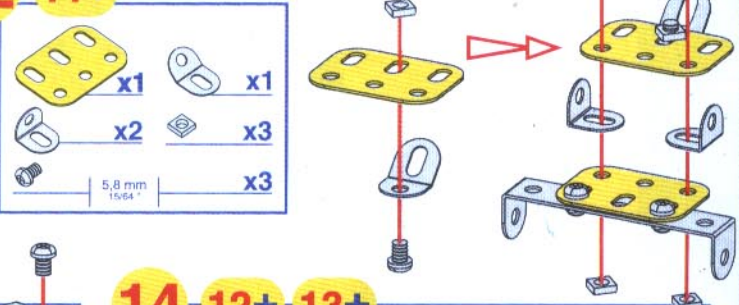
**11**

-  5,8 mm 15/64" x1
-  x1
-  x2
-  x2








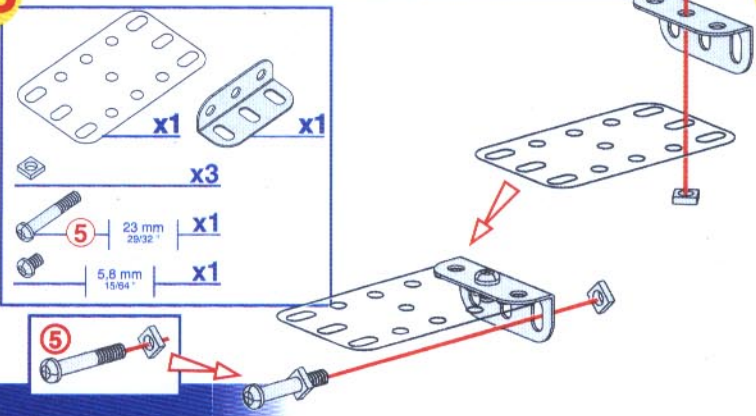
**12** **11+**

-  x1
-  x1
-  x2
-  x3
-  x3



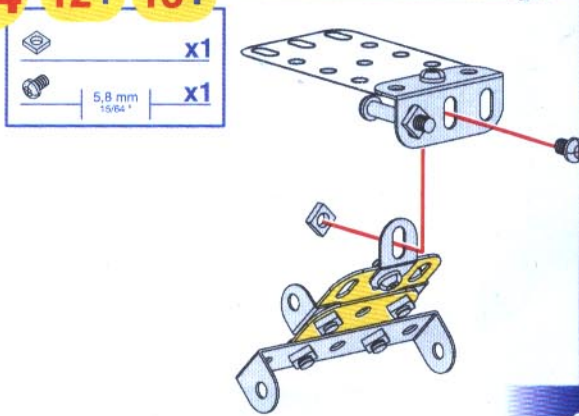
**13**

-  x1
-  x1
-  x3
-  5, 23 mm 29/32" x1
-  5, 5,8 mm 15/64" x1



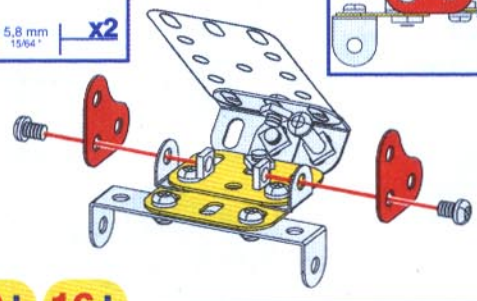
**14** **12+** **13+**

-  x1
-  5, 5,8 mm 15/64" x1



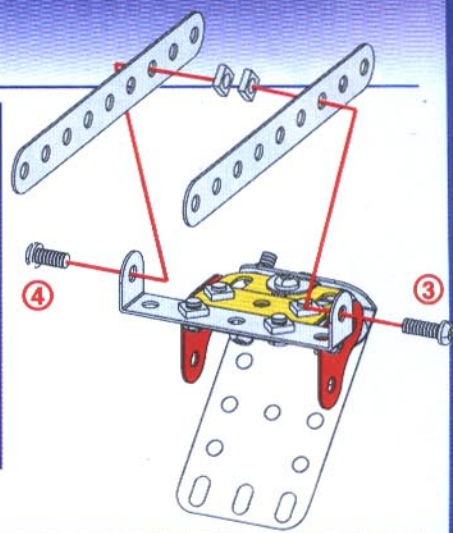
15 14+

- x2
- x2
- x2



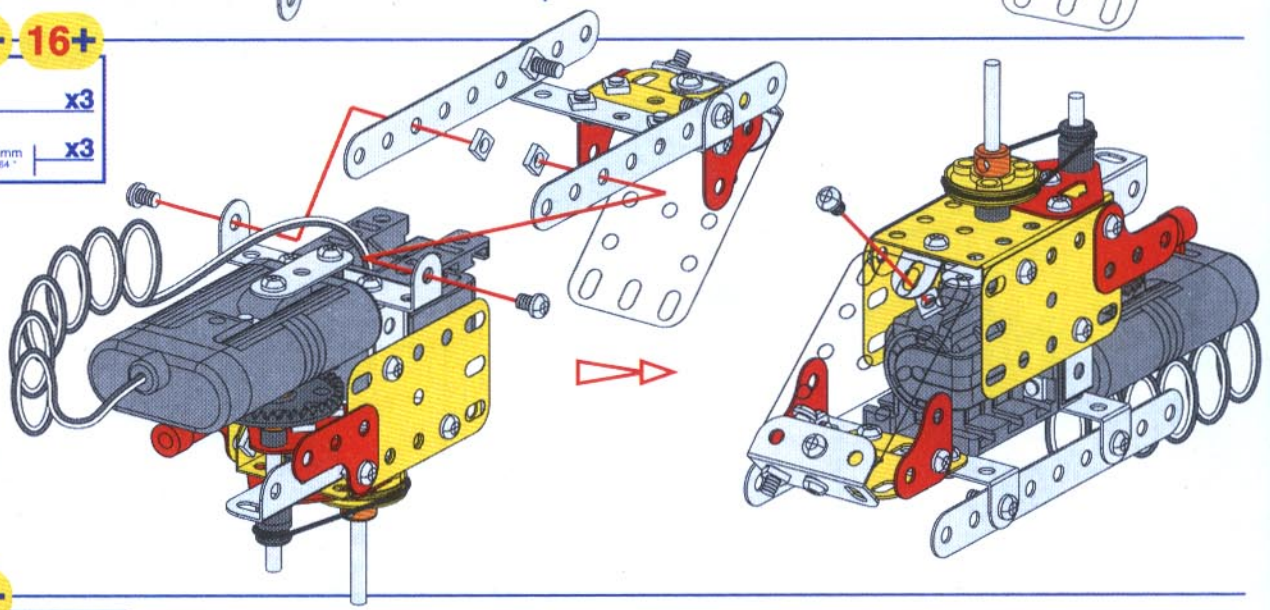
16 15+

- x2
- x2
- ③ x1
- ④ x1



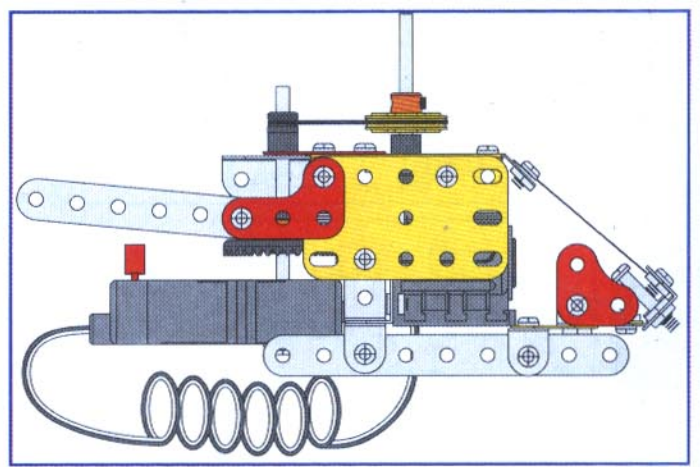
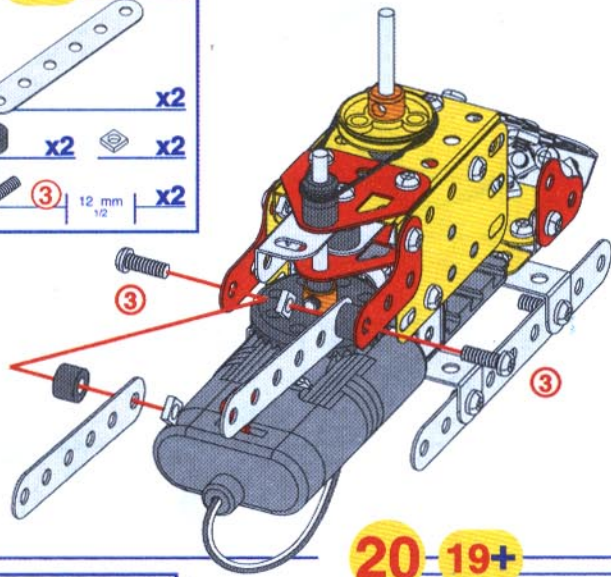
17 10+ 16+

- x3
- x3



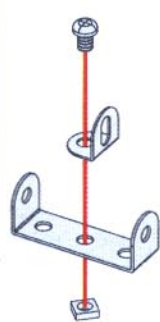
18 17+

- x2
- x2
- ③ x2



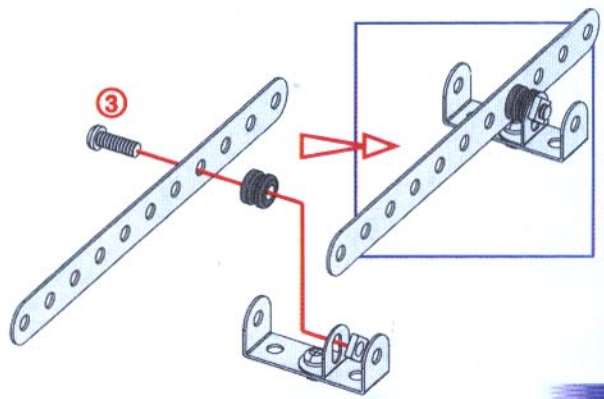
19

- x1
- x1
- x1



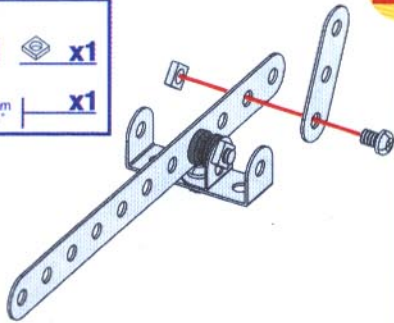
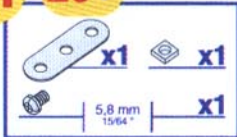
20 19+

- x1
- x1
- ③ x1

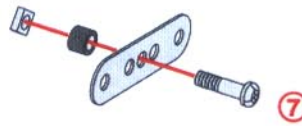
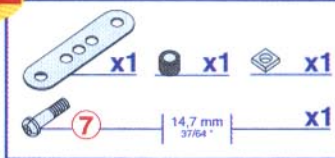




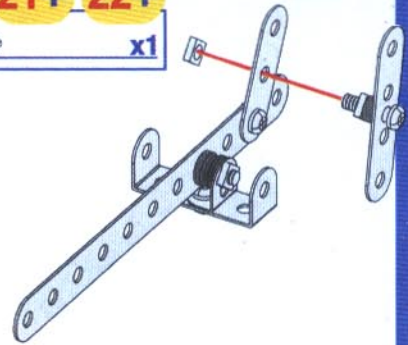
21 20+



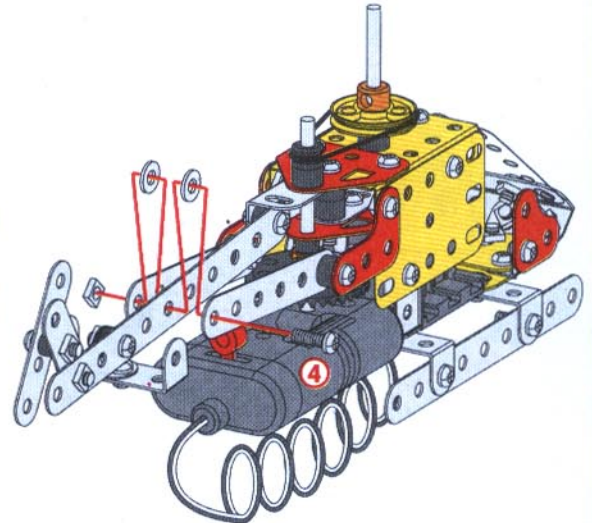
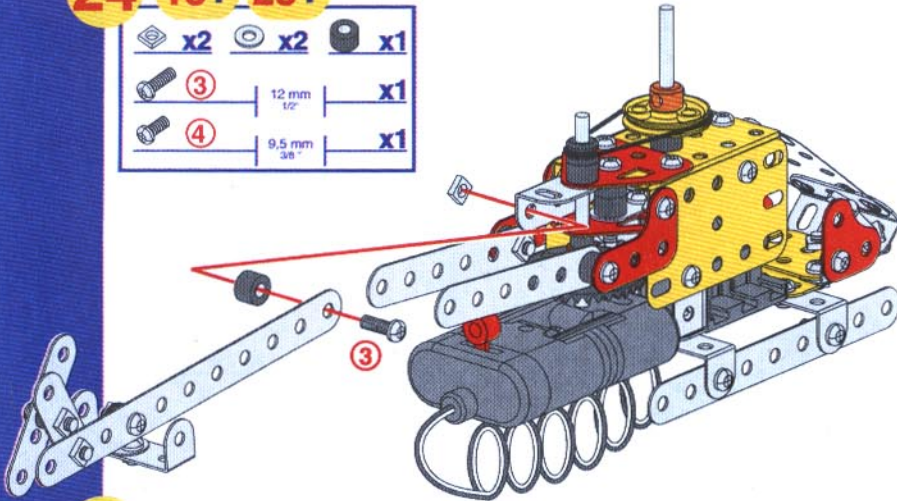
22



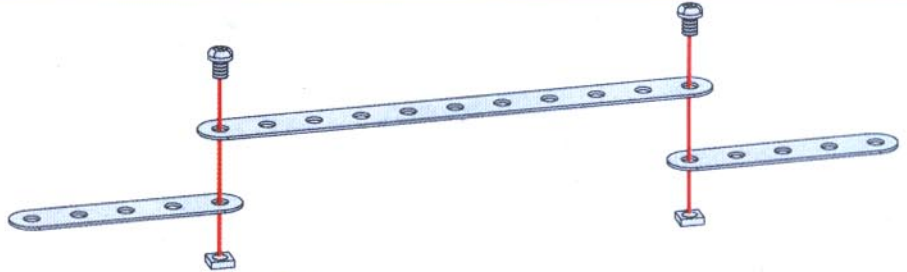
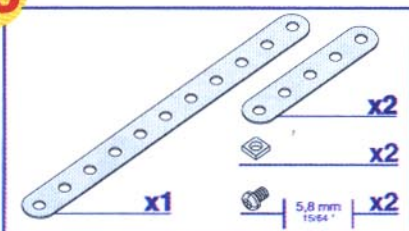
23 21+ 22+



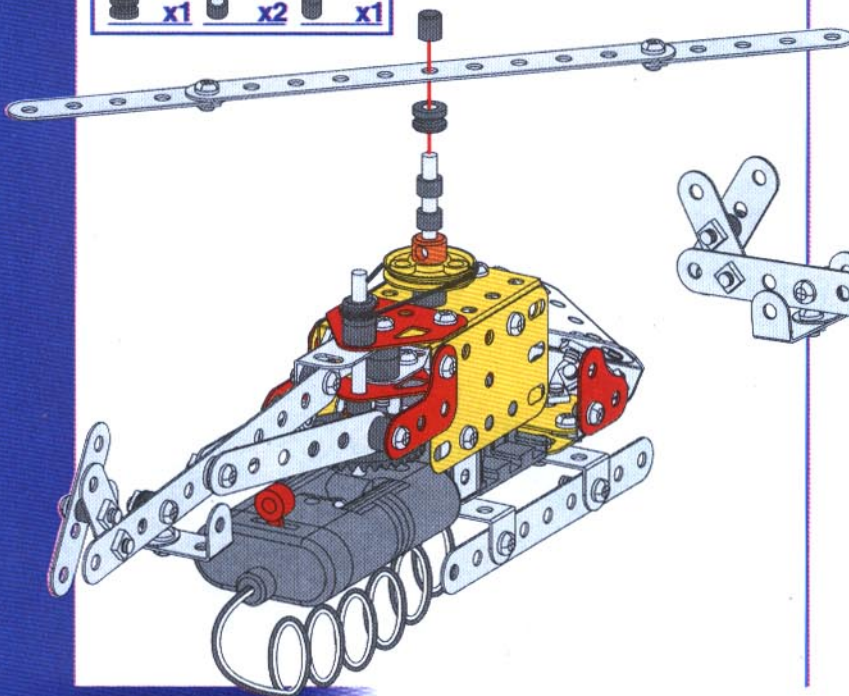
24 18+ 23+



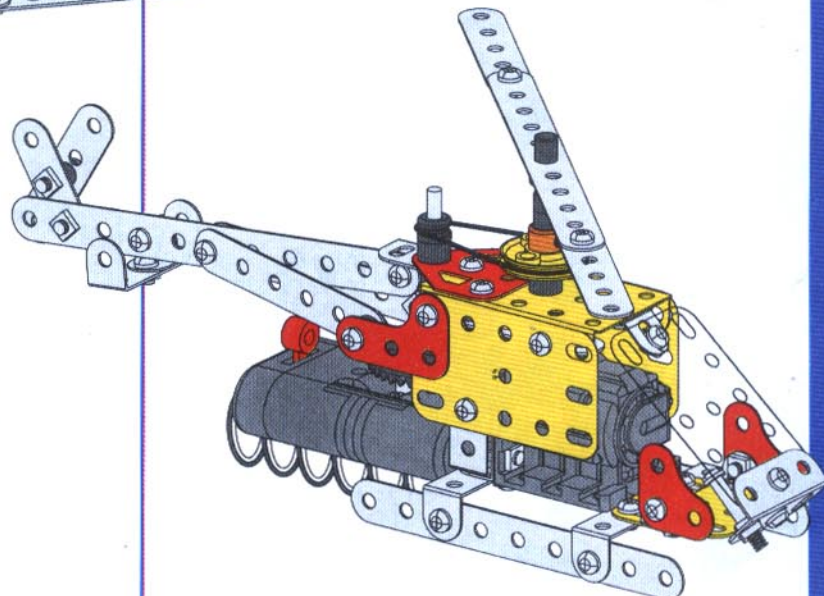
25

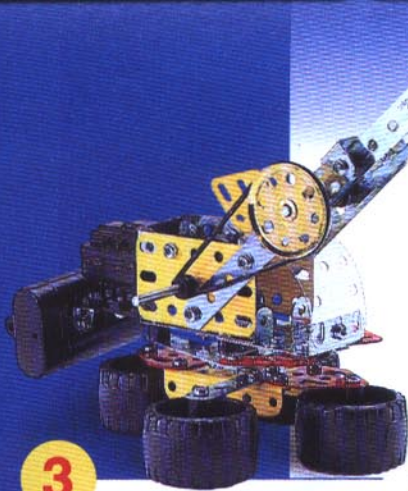


26 24+ 25+



27





**1**

- x1
- x1
- x1
- x1
- x1

**2**

**1+**

- x1
- x1
- x1
- x1
- x1

**3**

- x1
- x1
- x1
- x1
- x1

**4**

**2+**

**3+**

- x1
- x1
- x1
- x1

**5**

**4+**

- x1
- x2
- x2

**6**

**5+**

- x1
- x2
- x2
- x2

**7**

**6+**

- x1
- x1
- x1

**8**

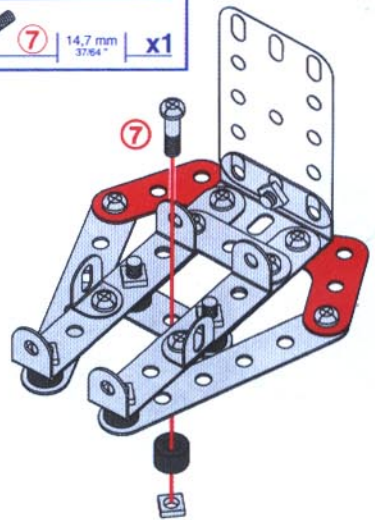
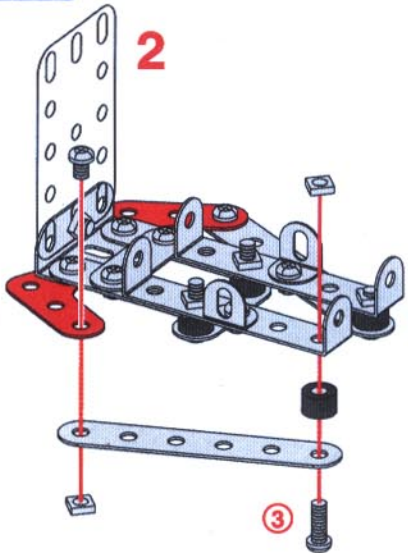
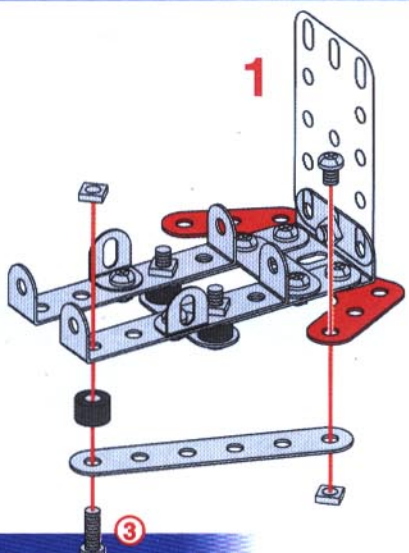
**7+**

- x2
- x2
- x2
- x4
- x2

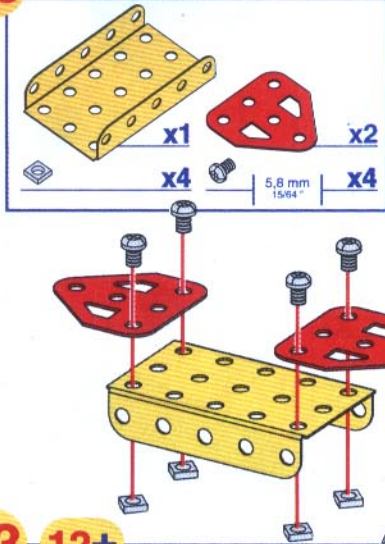
**9**

**8+**

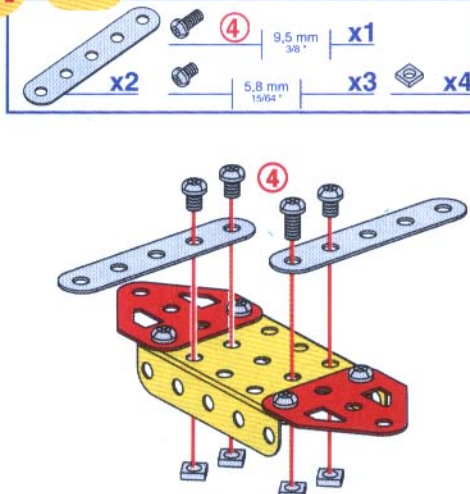
- x1
- x1
- x1



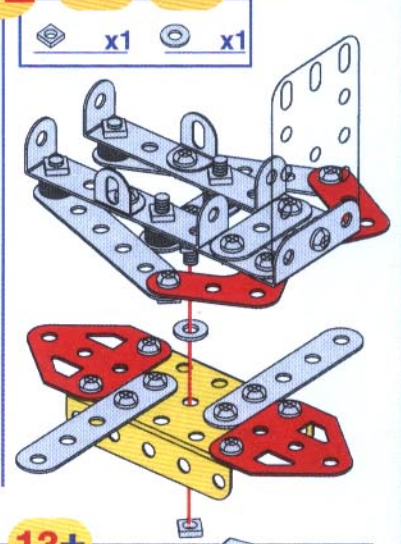
10



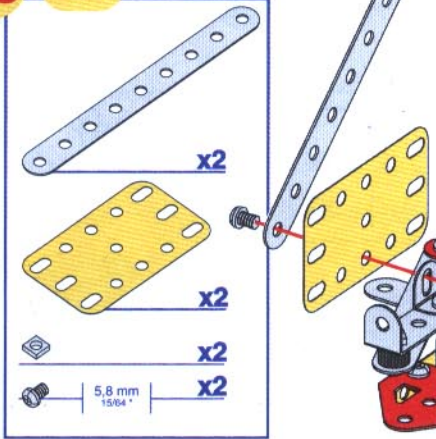
11 10+



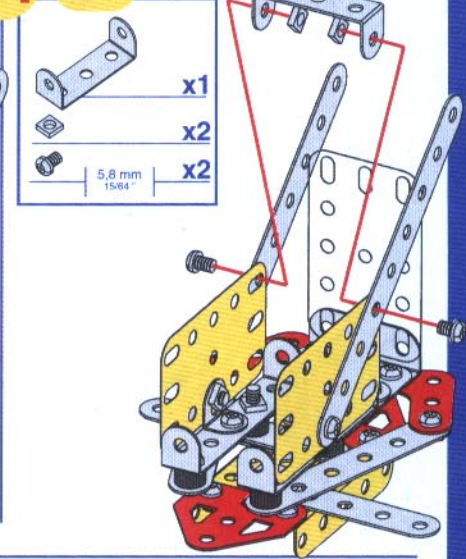
12 9+ 11+



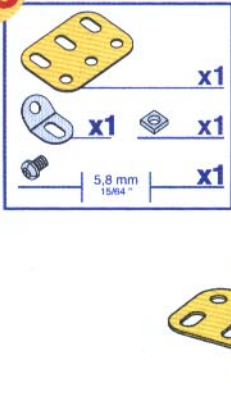
13 12+



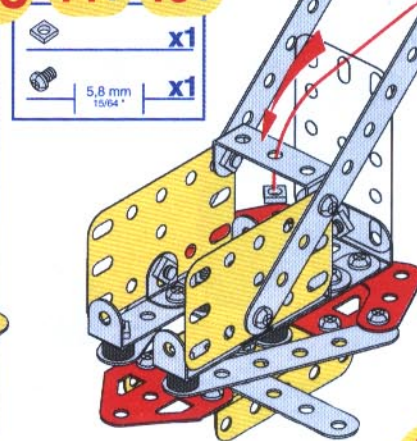
14 13+



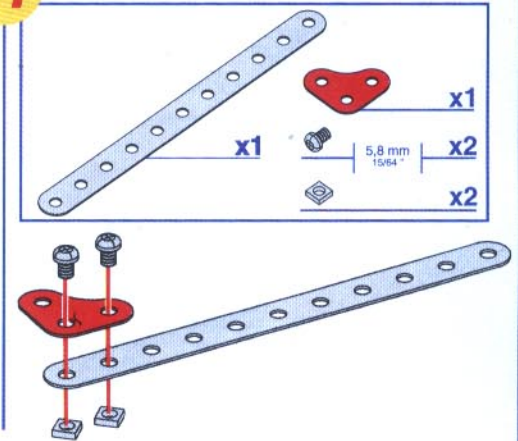
15



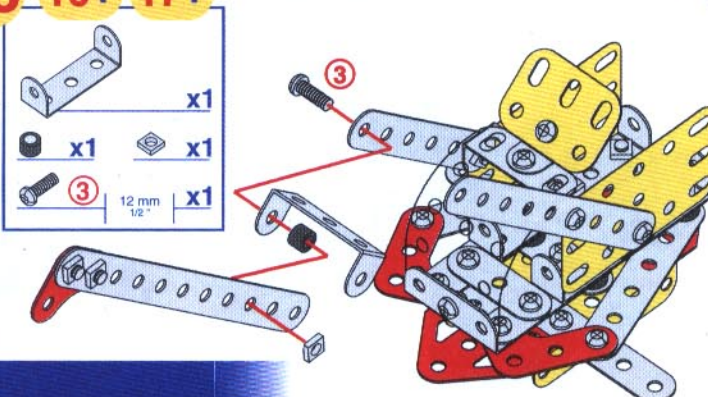
16 14+ 15+



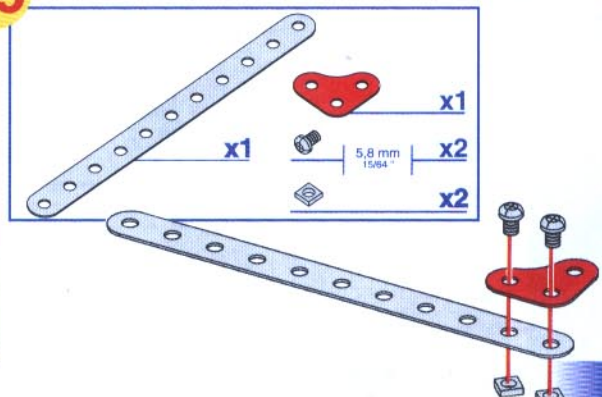
17



















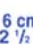

















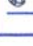





















































18 16+ 17+

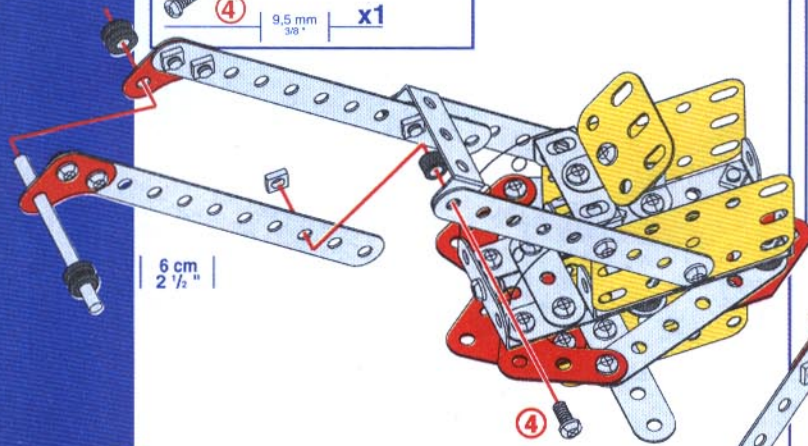


19

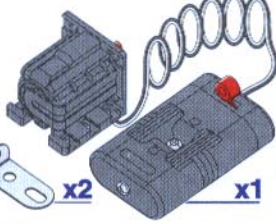








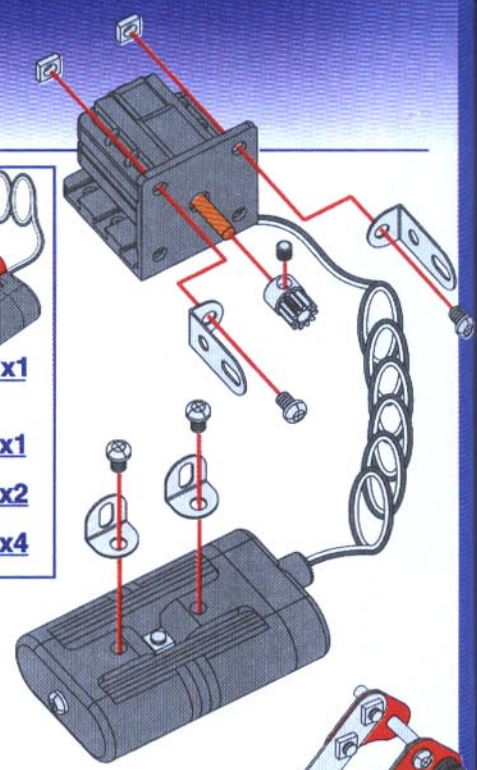
**20 18+ 19+**

-  x1
-  x2
-  x1
-  x1
-  x1
-  x1
-  x1
-  x1
-  x1
-  x1
-  x1
-  x1
-  x1
-  x1
-  x1
-  x1
-  x1
-  x1
-  x1
-  x1
-  x1
-  x1
-  x1
-  x1
-  x1
-  x1
-  x1
-  x1
-  x1
-  x1
-  x1
-  x1
-  x1
-  x1
-  x1
-  x1
-  x1
-  x1
-  x1
-  x1
-  x1
-  x1
-  x1
-  x1
-  x1
-  x1
-  x1
-  x1
-  x1
-  x1
-  x1
-  x1
-  x1
-  x1
-  x1
-  x1
-  x1
-  x1
-  x1
-  x1
-  x1
-  x1
-  x1
-  x1
-  x1
-  x1
-  x1
-  x1
-  x1
-  x1
-  x1
-  x1
-  x1
-  x1
-  x1
-  x1
-  x1
-  x1
-  x1
-  x1
-  x1
-  x1
-  x1
-  x1
-  x1
-  x1
-  x1
-  x1



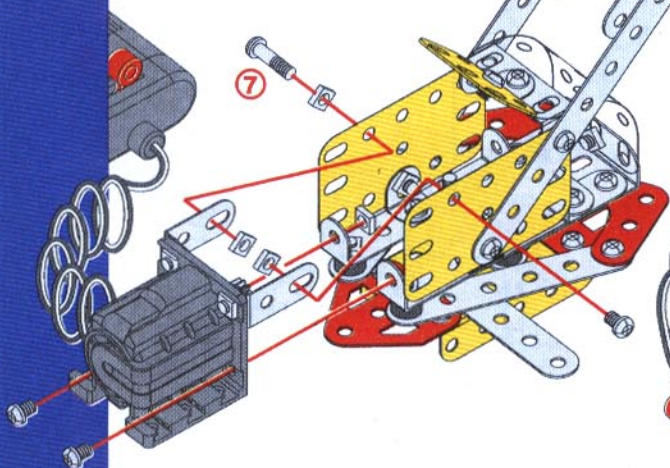
**21**

-  x1
-  x2
-  x2
-  x1
-  x4
-  x1
-  x2



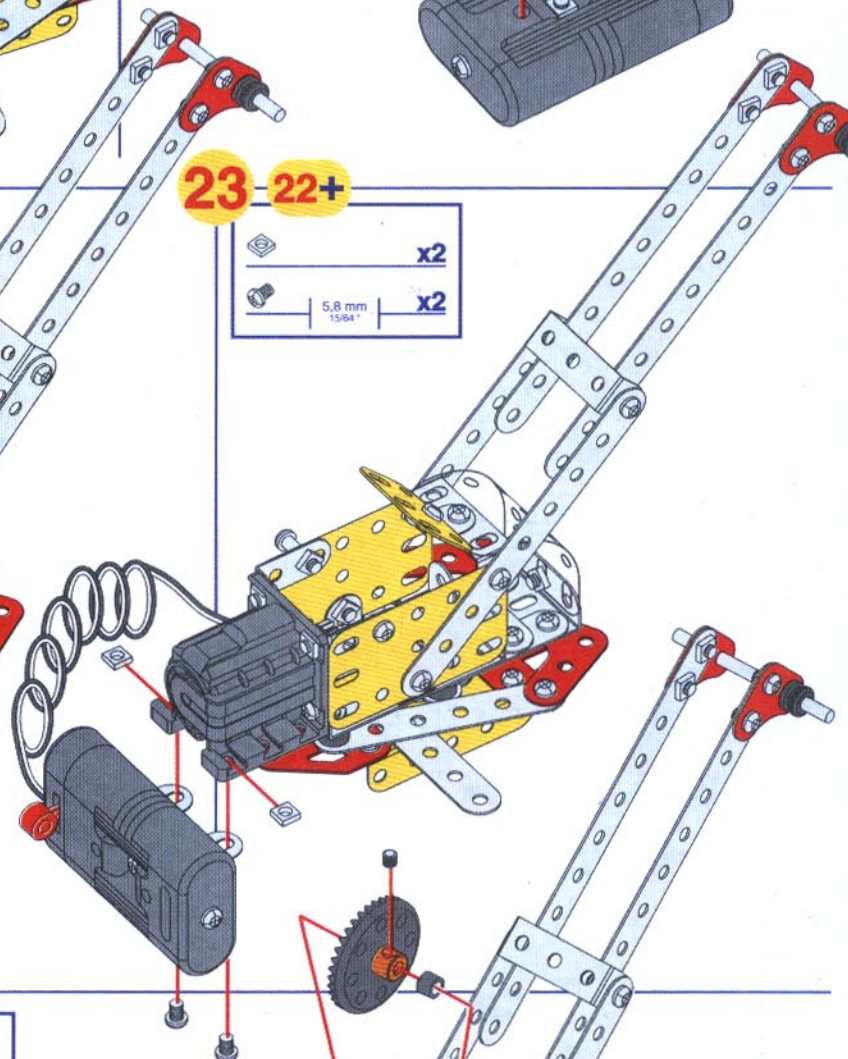
**22 20+ 21+**

-  x5
-  x3
-  x1



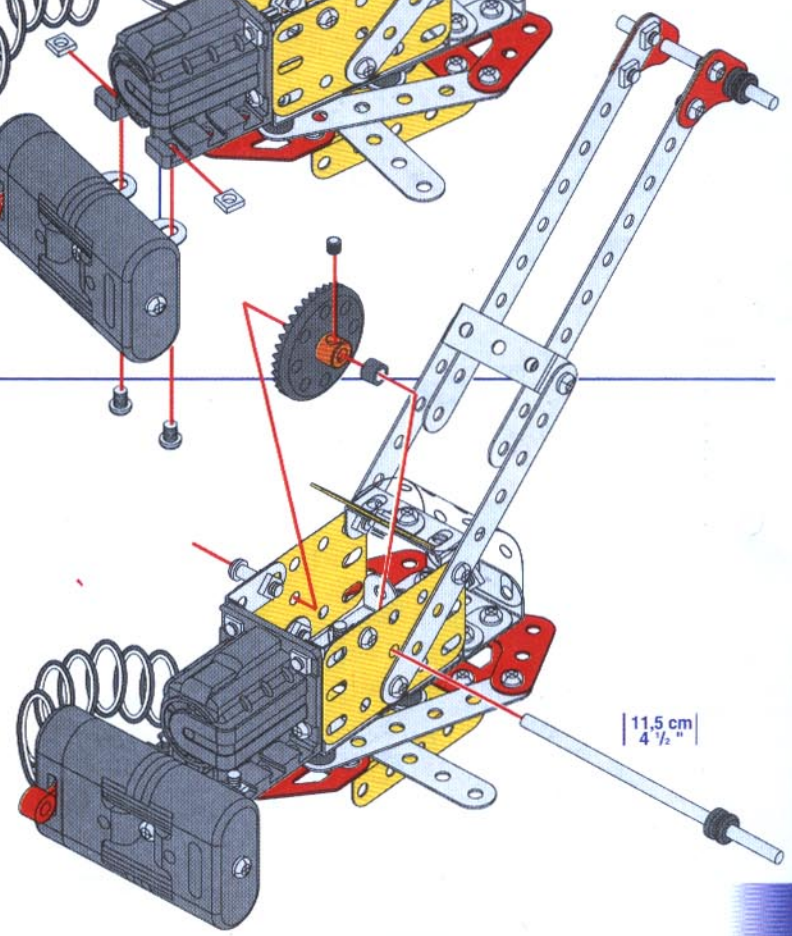
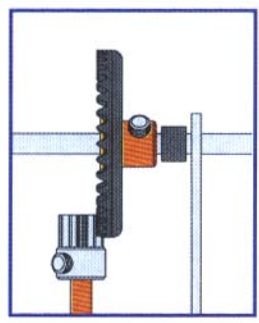
**23 22+**

-  x2
-  x2

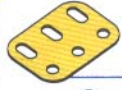
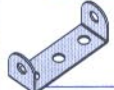




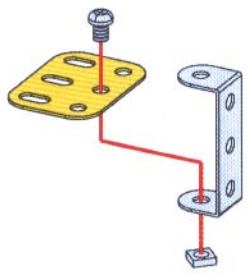
**24 23+**

-  x1
-  x1
-  x1
-  x1
-  x1

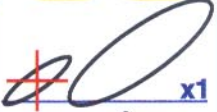
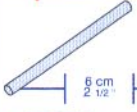







**25**

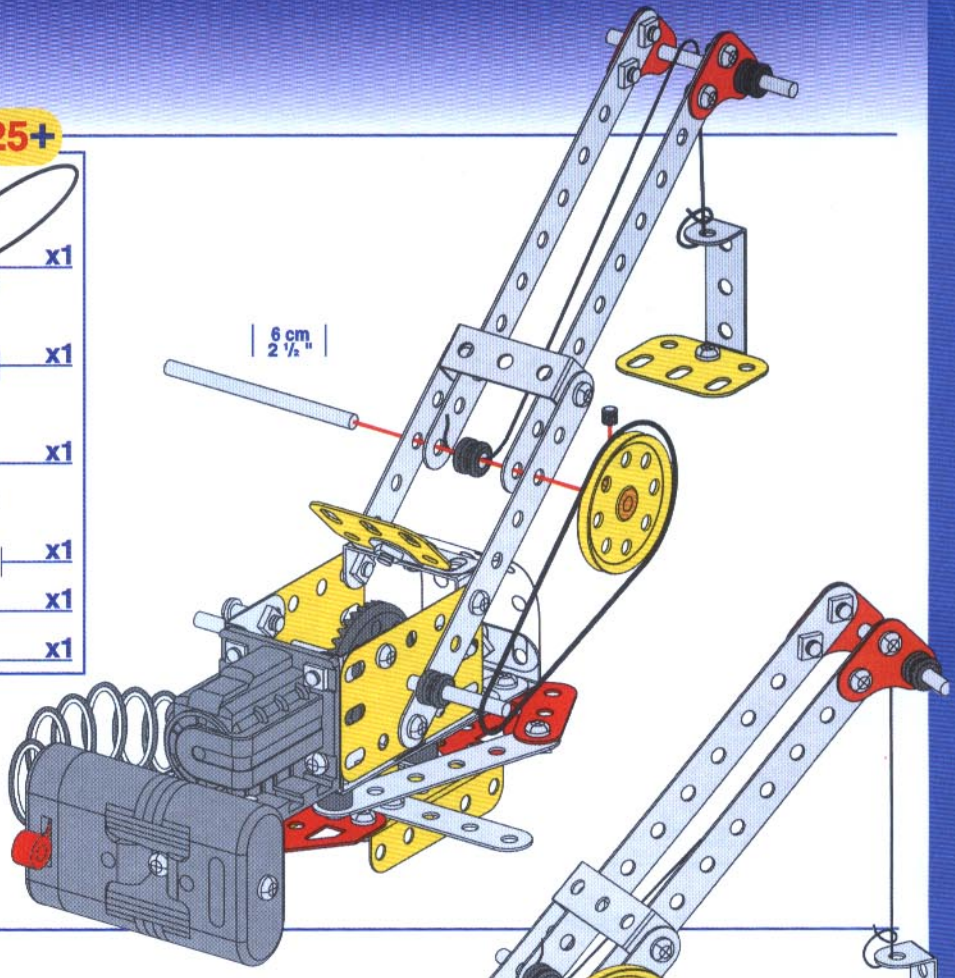
-  x1
-  x1
-  x1
-  x1






**26 24+ 25+**

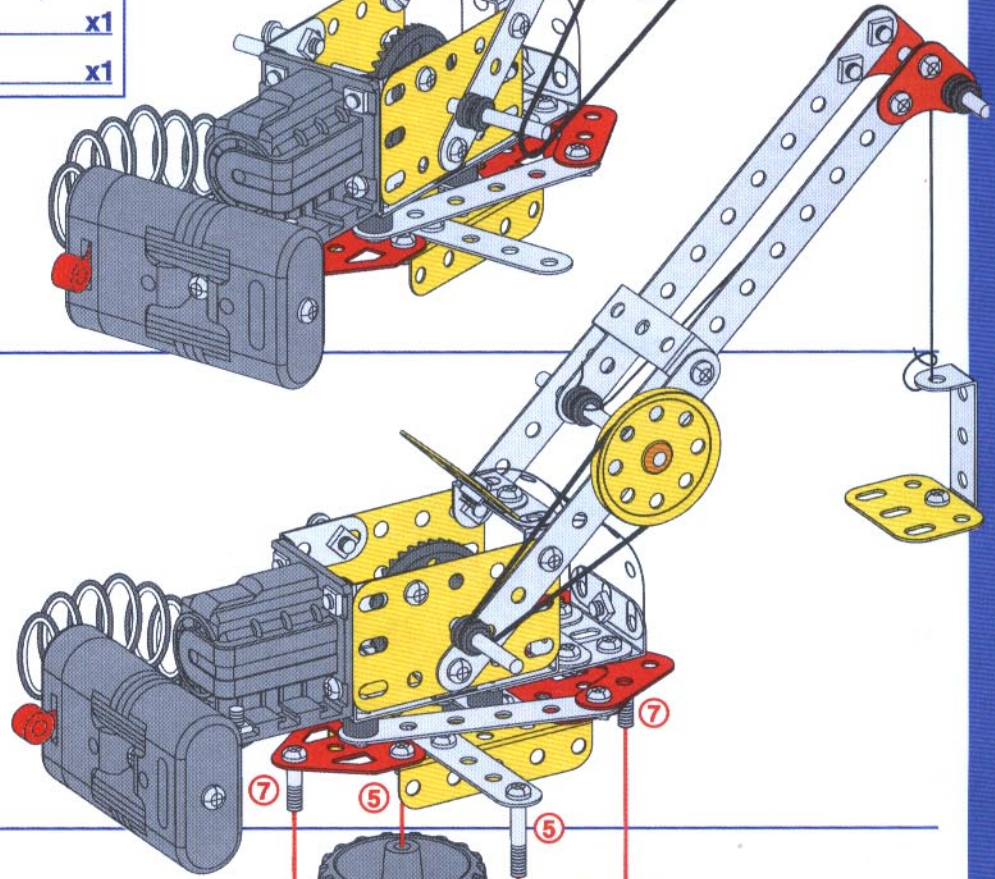
-  x1
-  x1
-  x1
-  x1
-  x1
-  x1
-  x1

6 cm  
2 1/2"

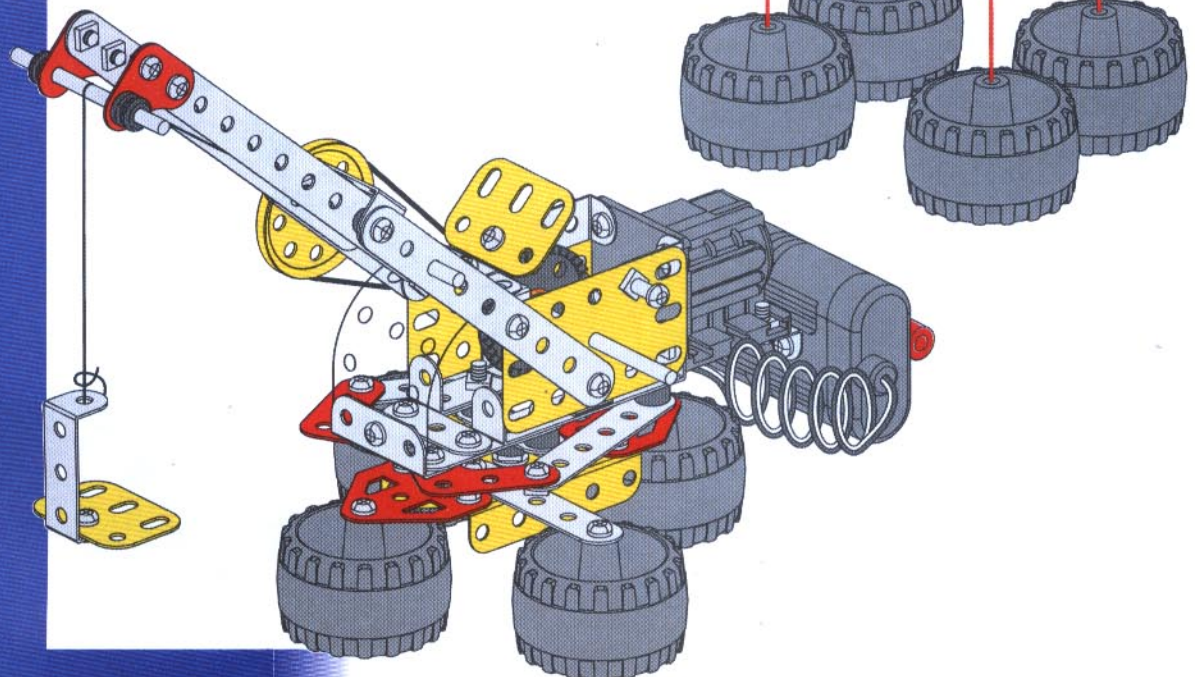


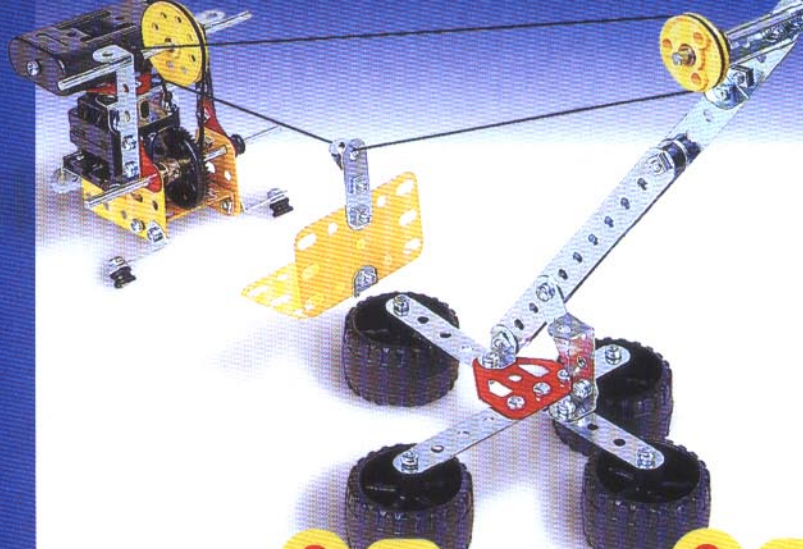
**27 26+**

-  x4
-  x2
-  x2

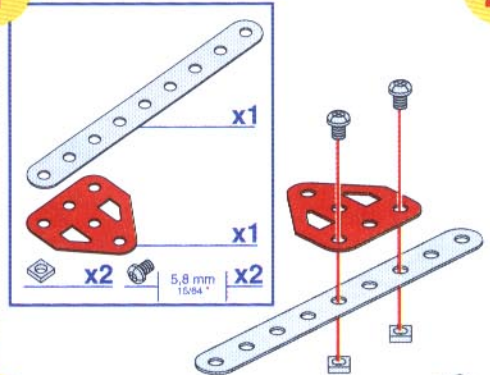


**28**

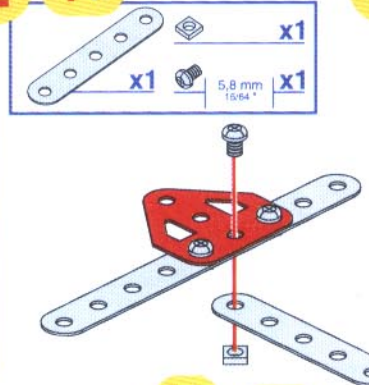




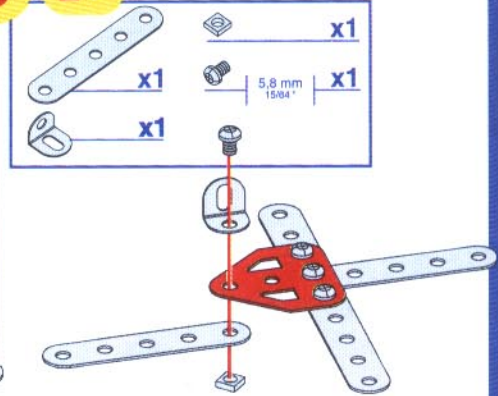
**1**



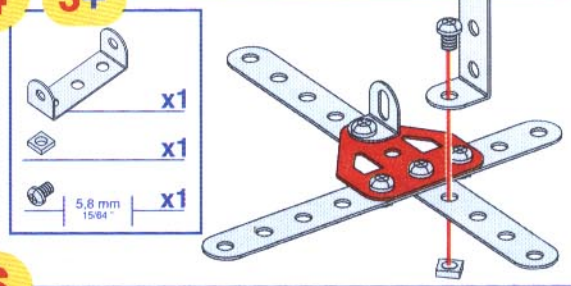
**2 1+**



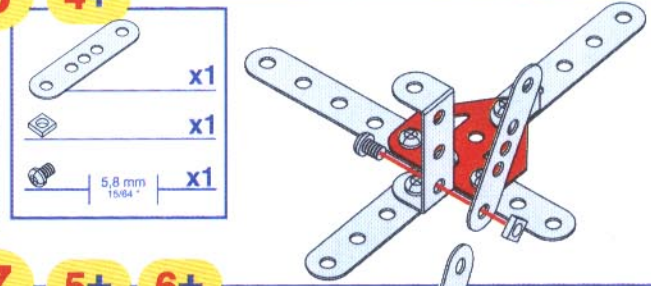
**3 2+**



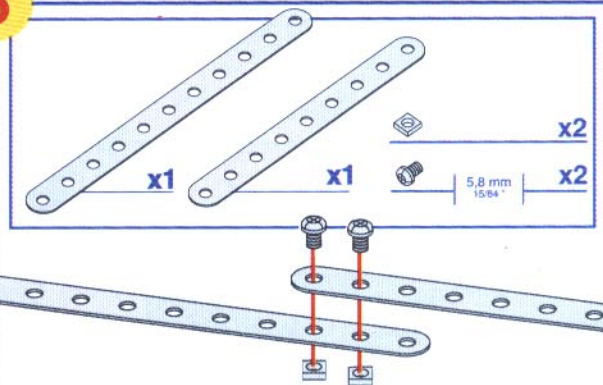
**4 3+**



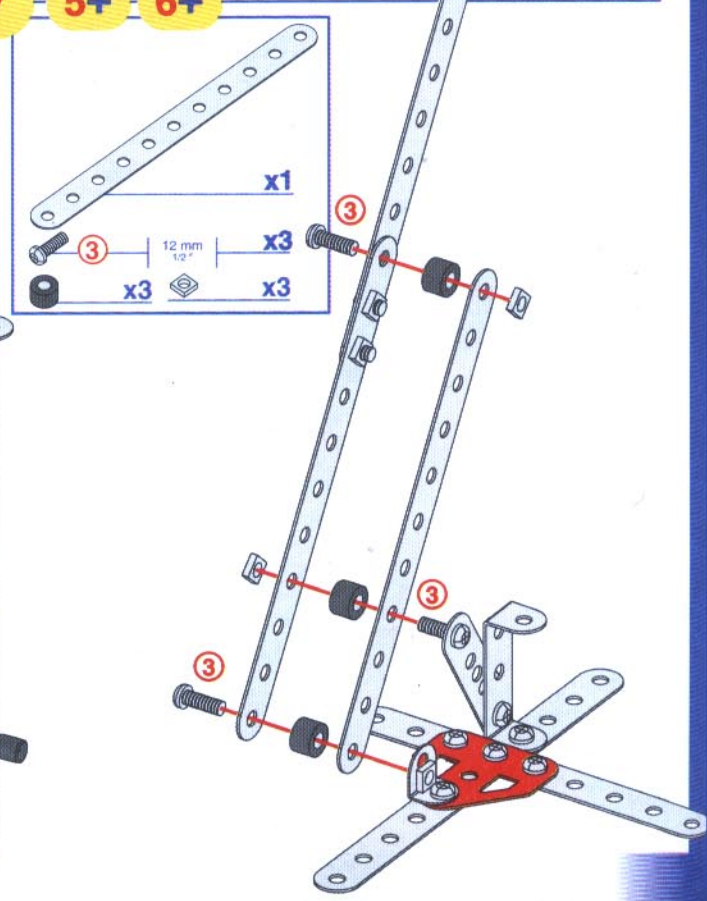
**5 4+**



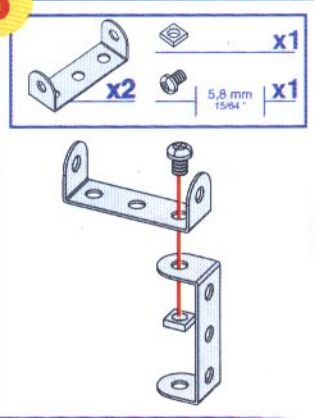
**6**



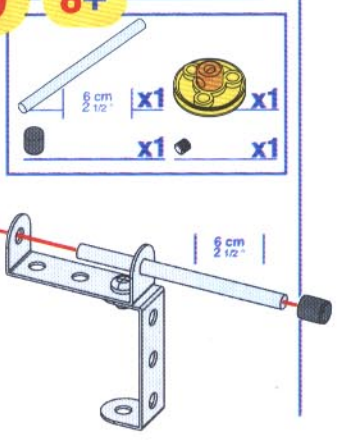
**7 5+ 6+**



**8**

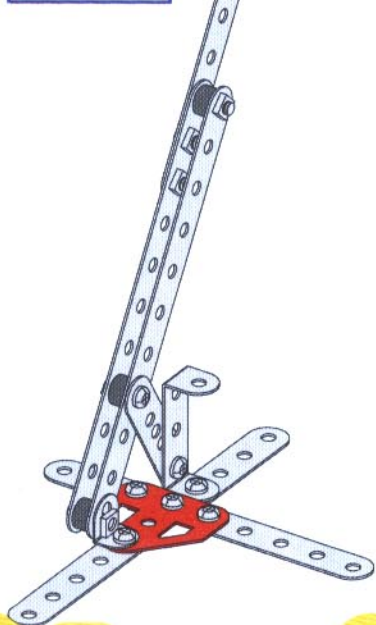


**9 8+**



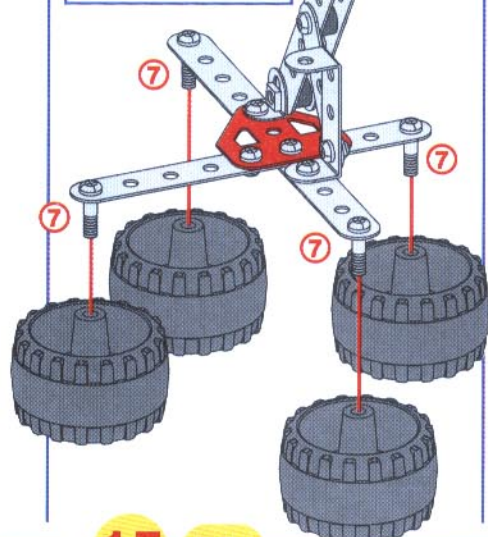
10 7+ 9+

- x2
- 5,8 mm 15/64" x2



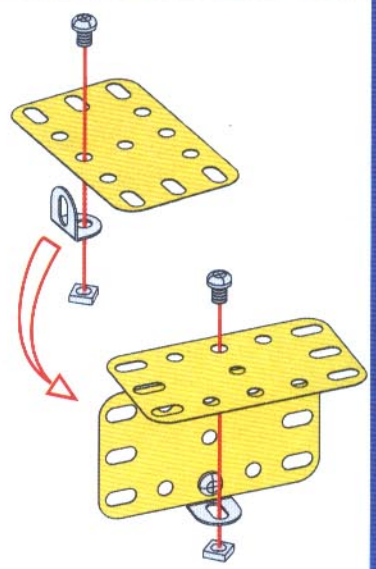
11 10+

- x4
- 7 14,7 mm 37/64" x4



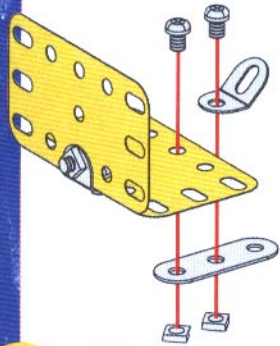
12

- x1
- x2
- 5,8 mm 15/64" x2



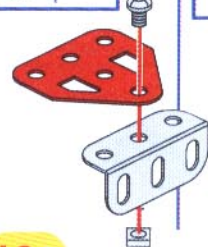
13 12+

- x1
- x2
- 5,8 mm 15/64" x2



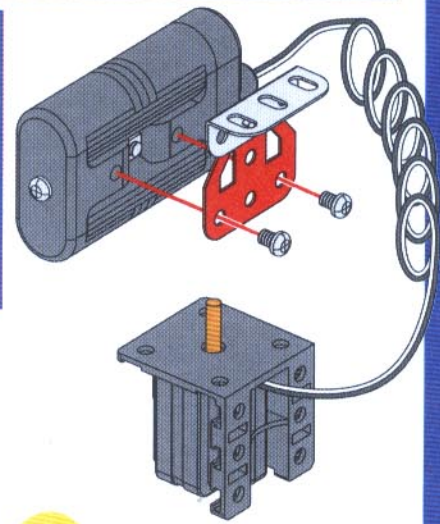
14

- x1
- x1
- x1
- 5,8 mm 15/64" x1



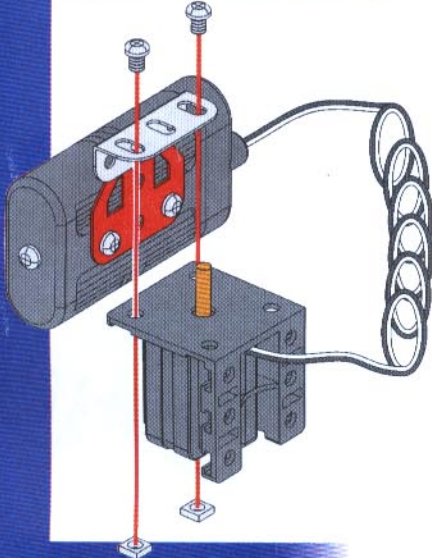
15 14+

- x1
- 5,8 mm 15/64" x2



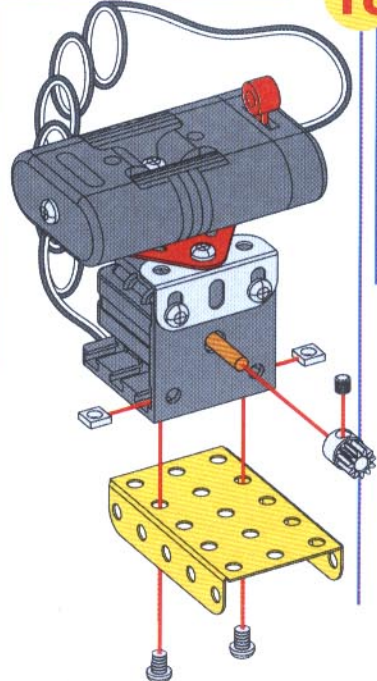
16 15+

- x2
- 5,8 mm 15/64" x2



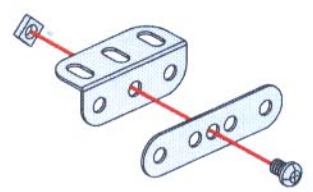
17 16+

- x1
- x1
- x1
- x2
- 5,8 mm 15/64" x2



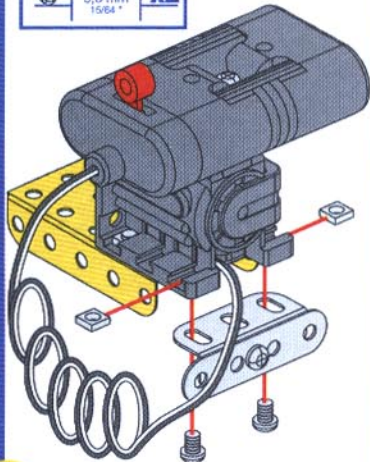
18

- x1
- x1
- x1
- 5,8 mm 15/64" x1



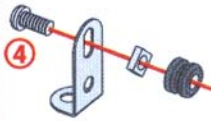
19 17+ 18+

- x2
- x2



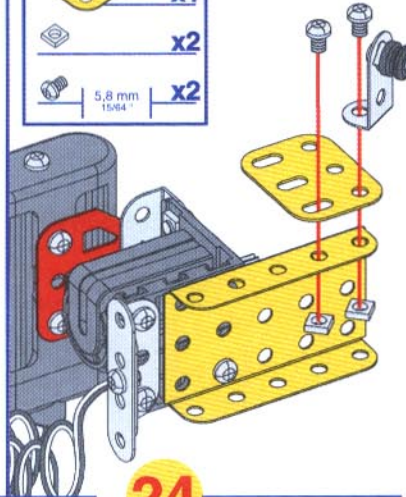
20

- x1
- x1
- x1
- x1



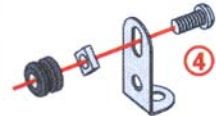
21 19+ 20+

- x1
- x2
- x2



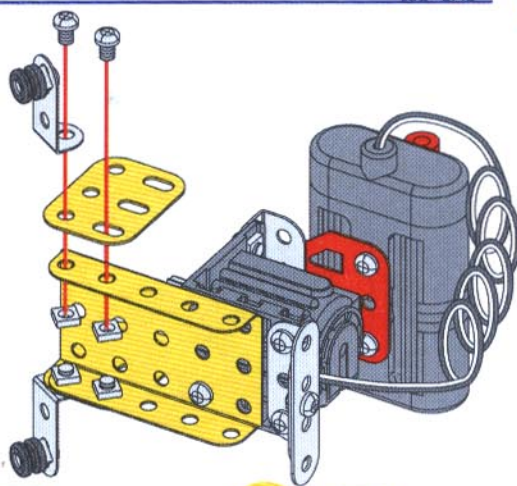
22

- x1
- x1
- x1
- x1



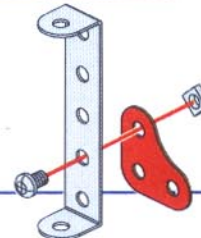
23 21+ 22+

- x1
- x2
- x2



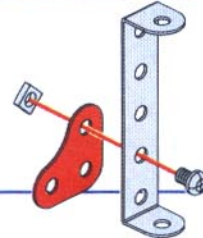
24

- x1
- x1
- x1
- x1



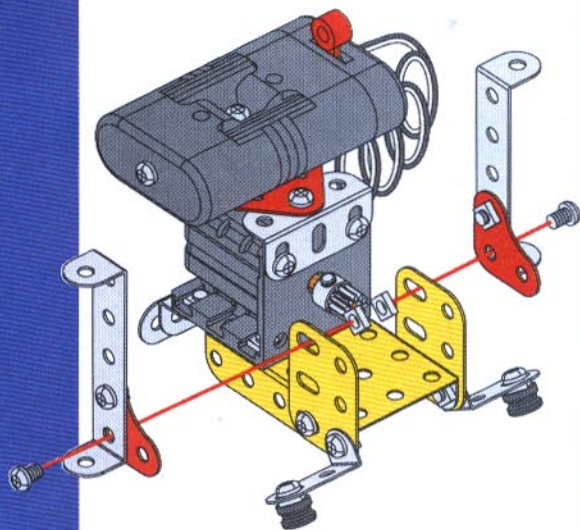
25

- x1
- x1
- x1
- x1



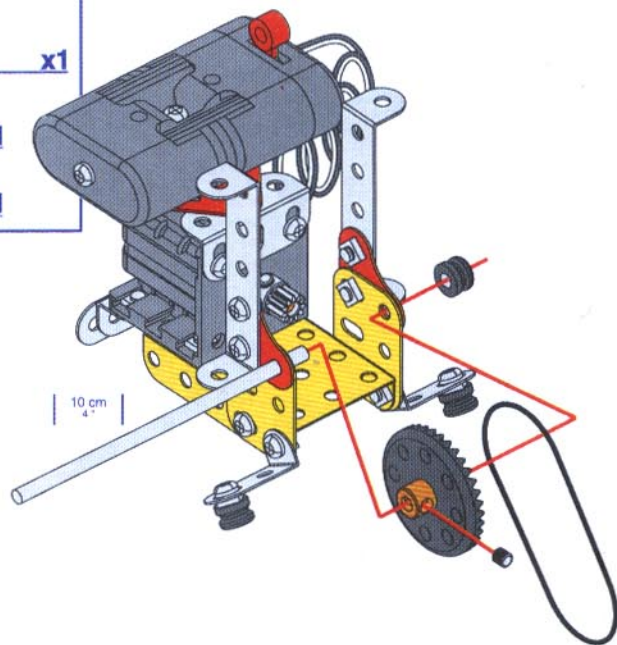
26 23+ 24+ 25+

- x2
- x2



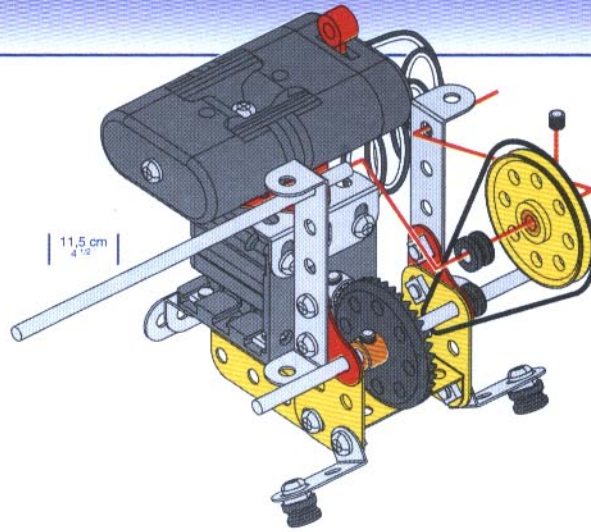
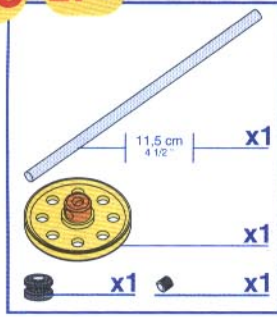
27 26+

- x1
- x1
- x1
- x1
- x1

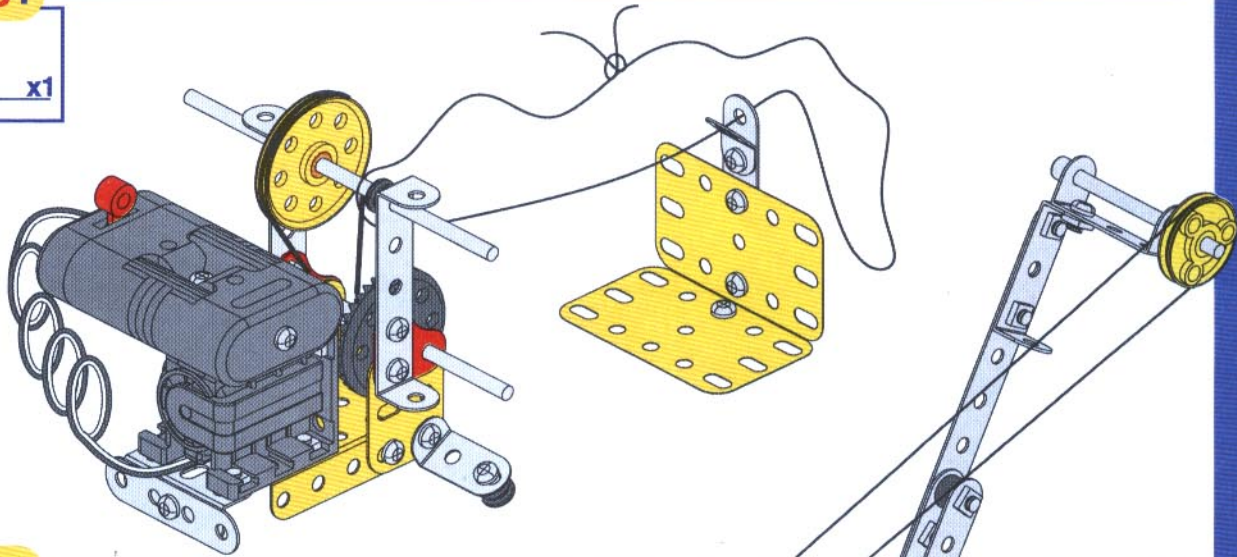




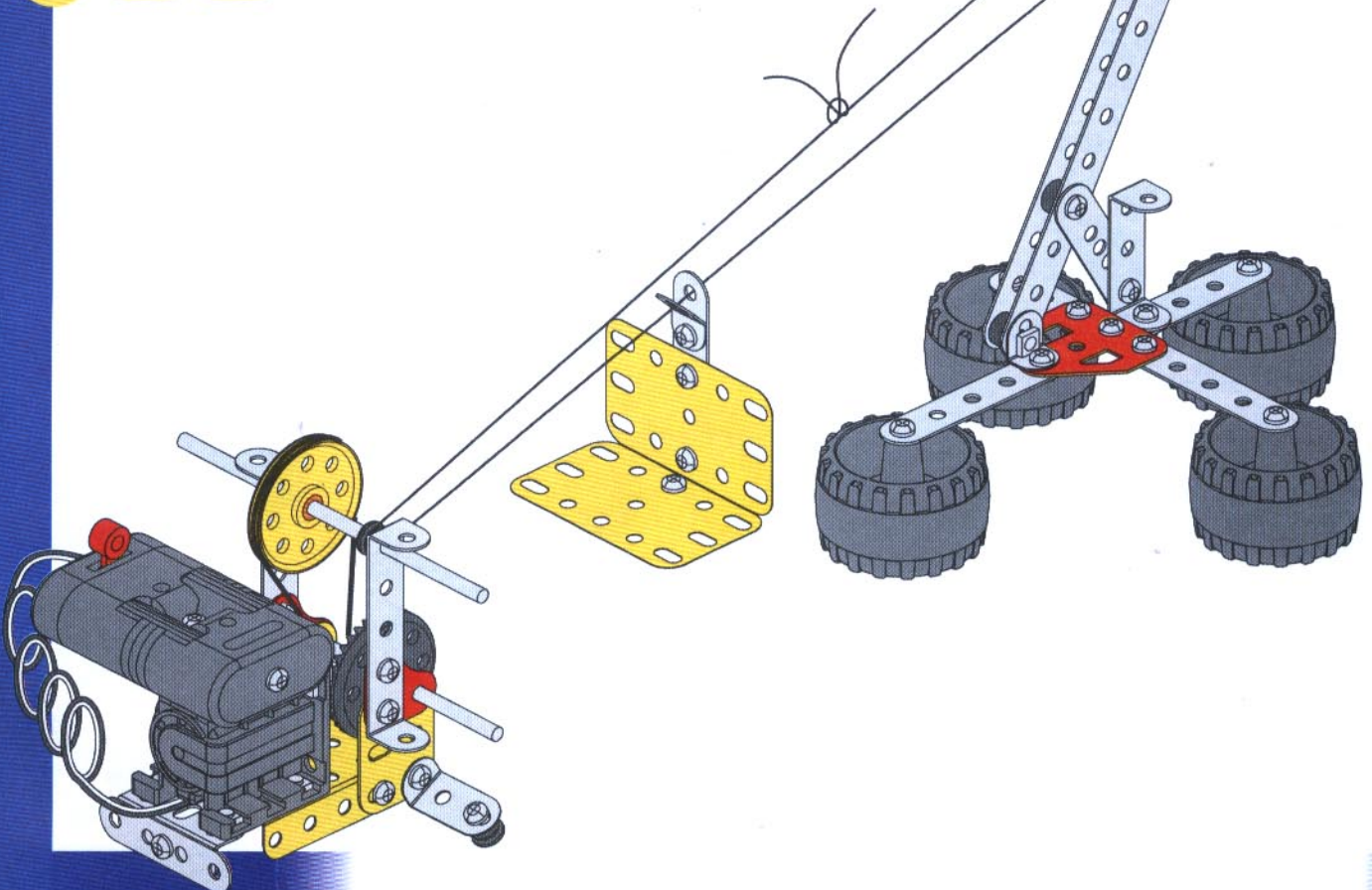
28 27+



29 13+ 28+

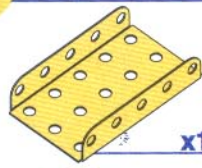





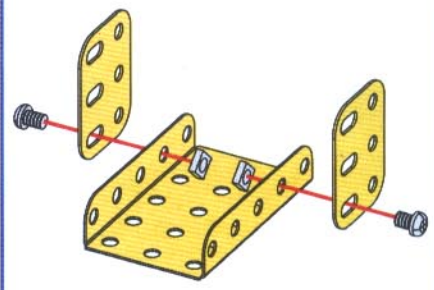
30 11+ 29+










**1**

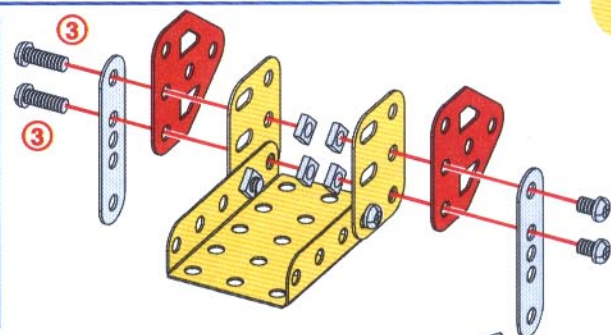
-  x1
-  x2
-  x2
-  5,8 mm 15/64" x2



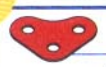
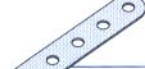



**2**

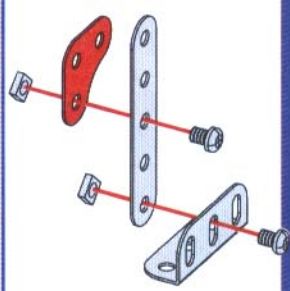
**1+**

-  x2
-  x2
-  x4
-  12 mm 1/2" x2
-  5,8 mm 15/64" x2






**3**

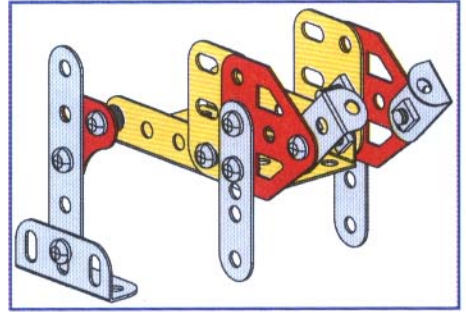
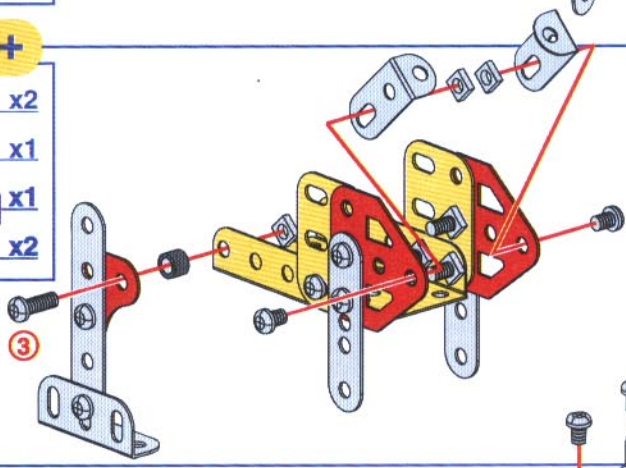
-  x1
-  x1
-  x1
-  x2
-  5,8 mm 15/64" x2



**4**

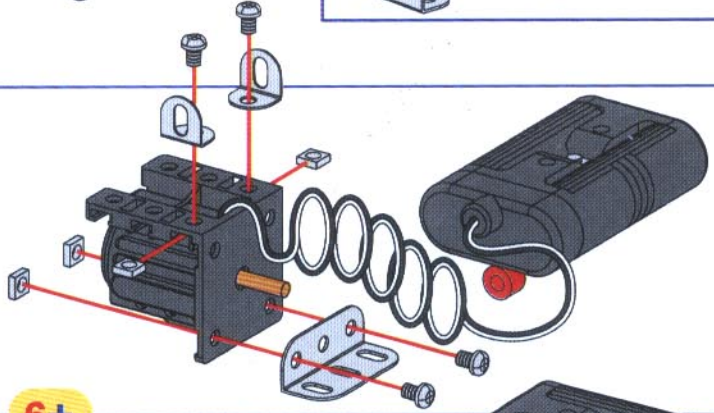
**2+ 3+**

-  x2
-  x3
-  x1
-  12 mm 1/2" x1
-  5,8 mm 15/64" x2



**5**

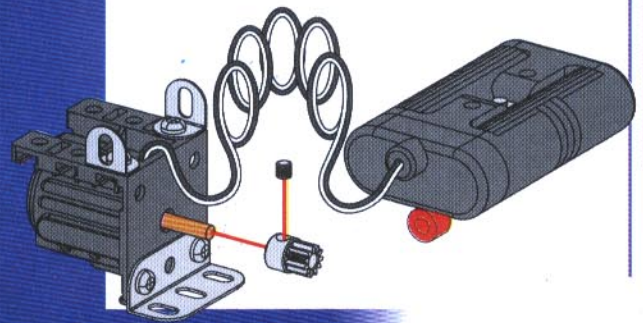
-  x1
-  x1
-  x2
-  x4
-  5,8 mm 15/64" x4



**6**





**5+**

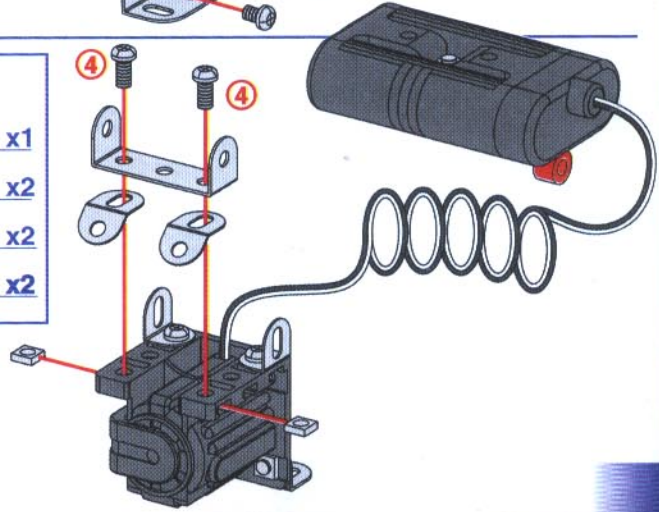
-  x1
-  x1



**7**

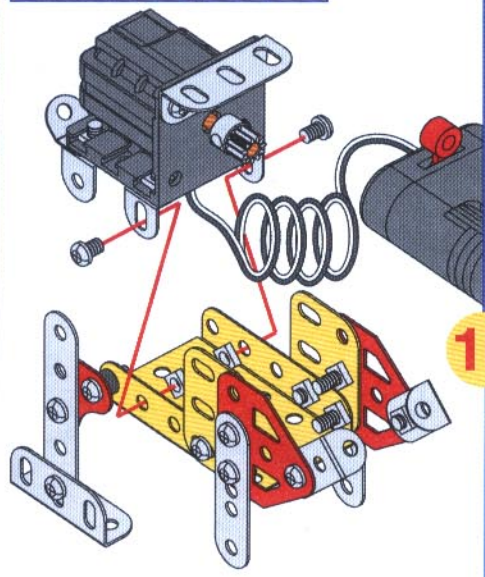
**6+**

-  x1
-  x2
-  x2
-  9,5 mm 3/8" x2



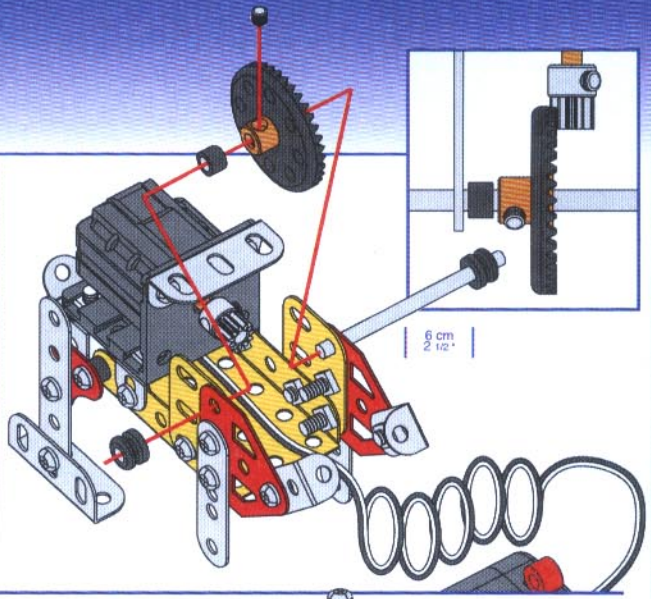
8 4+ 7+

- x2
- x2



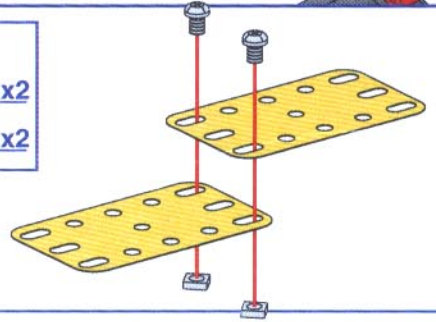
9 8+

- x1
- x1
- x2
- x1
- x1



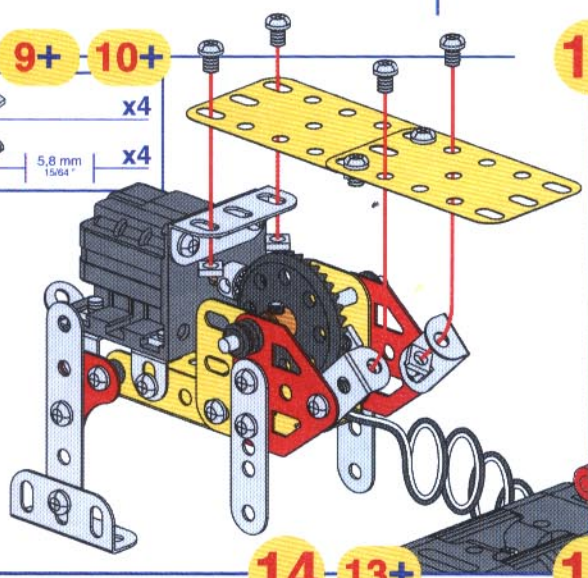
10

- x2
- x2
- x2



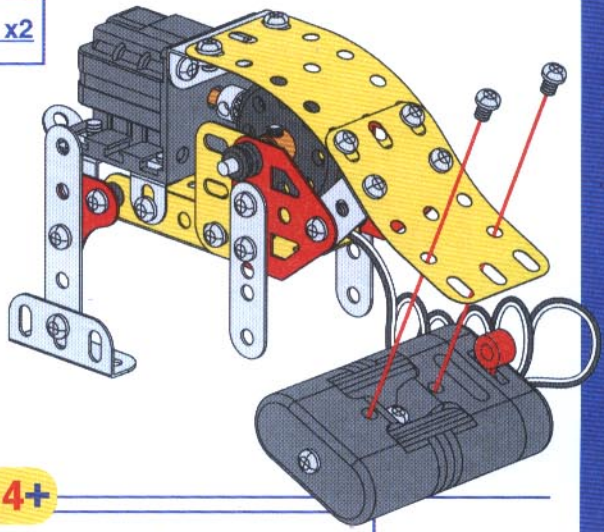
11 9+ 10+

- x4
- x4



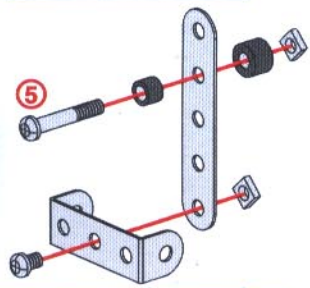
12 11+

- x2



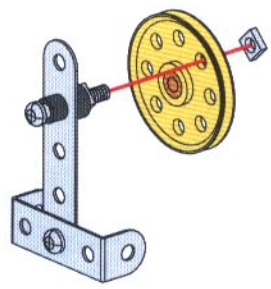
13

- x1
- x1
- x1
- x1
- x1
- x2
- x1
- x1



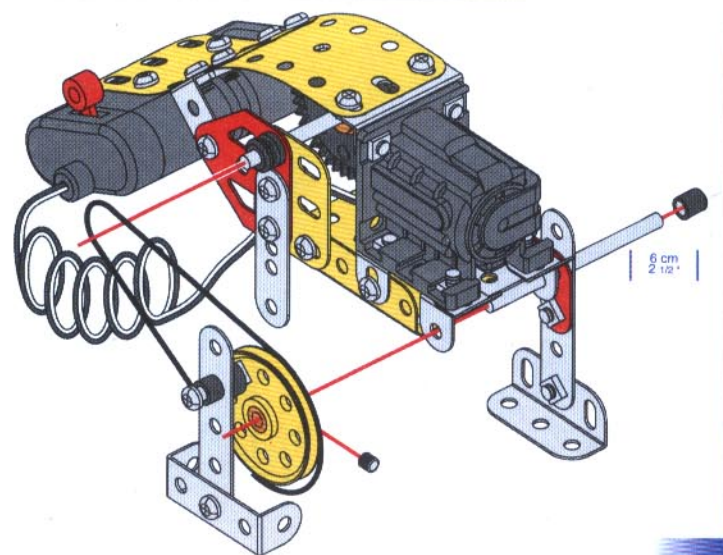
14 13+

- x1
- x1



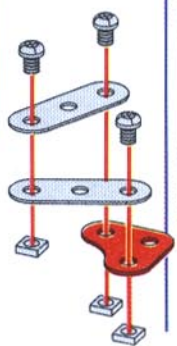
15 12+ 14+

- x1
- x1
- x1
- x1



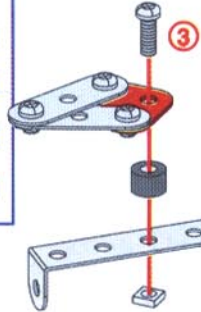
16

- x1
- x2
- x3
- x3



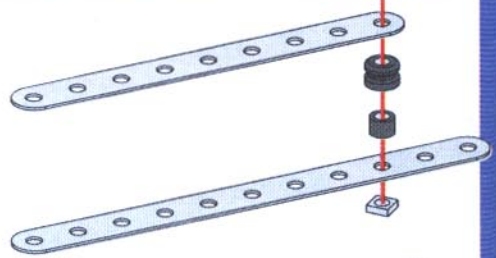
17 16+

- x1
- x1
- x1
- x1



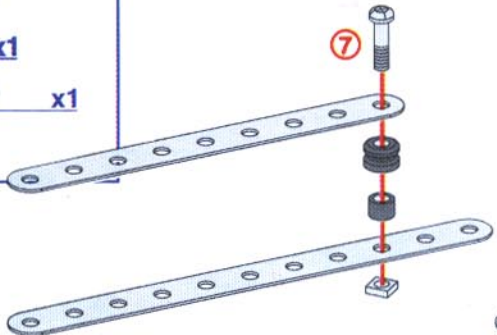
18

- x1
- x1
- x1
- x1
- x1
- x1



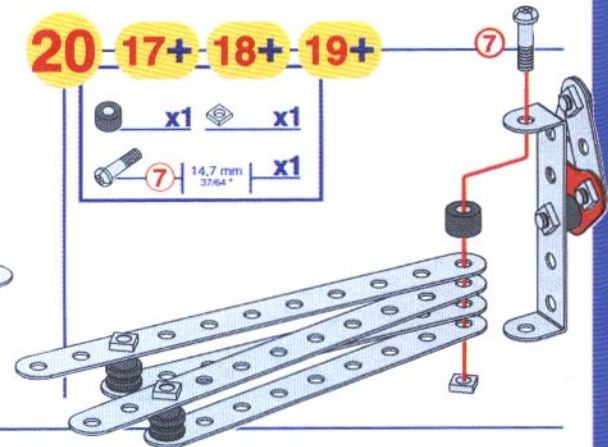
19

- x1
- x1
- x1
- x1
- x1
- x1



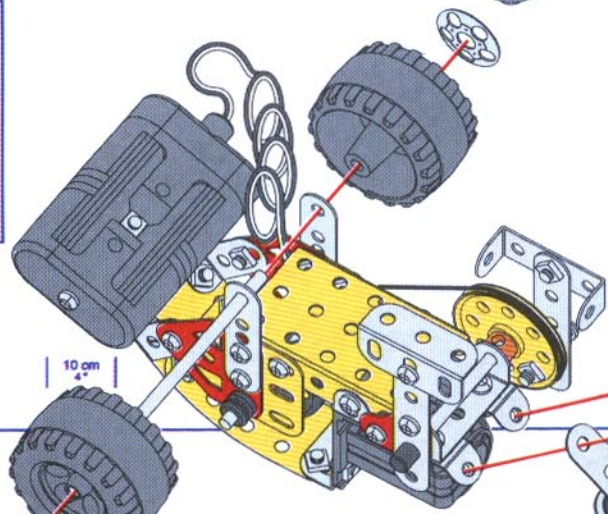
20 17+ 18+ 19+

- x1
- x1
- x1

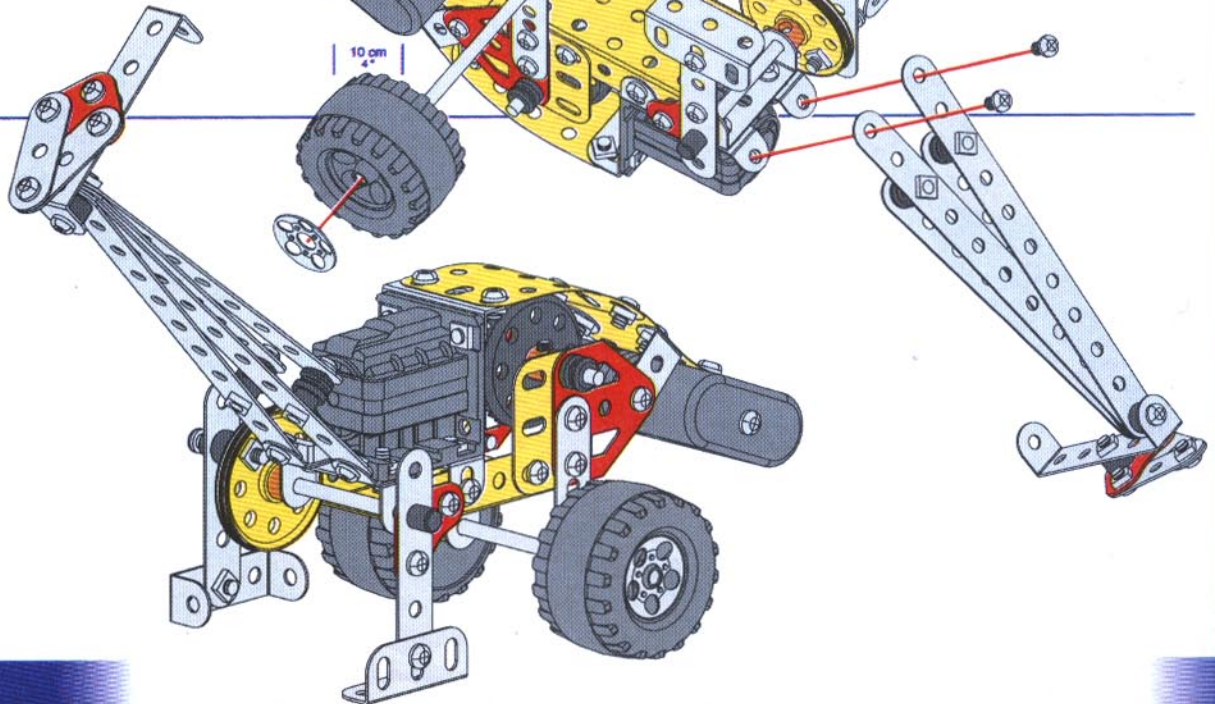


21 15+ 20+

- x1
- x1
- x2
- x2
- x2

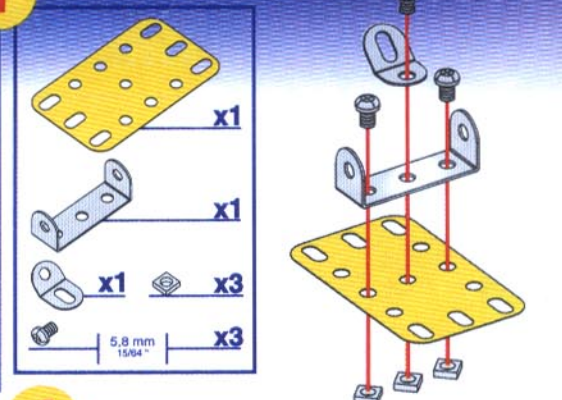


22





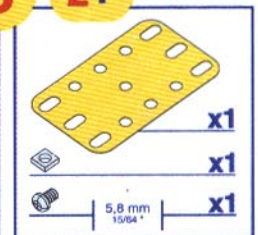
**1**



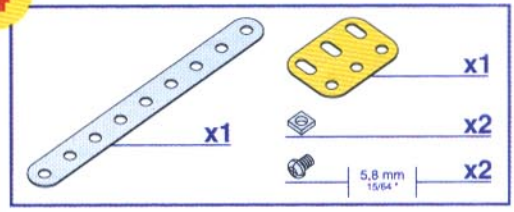
**2** **1+**



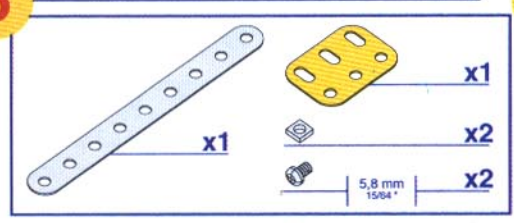
**3** **2+**



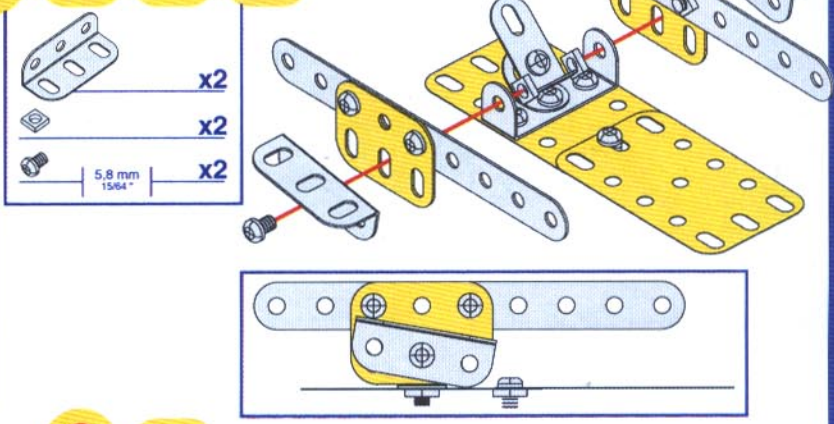
**4**



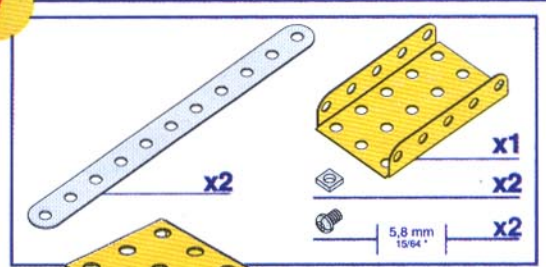
**5**



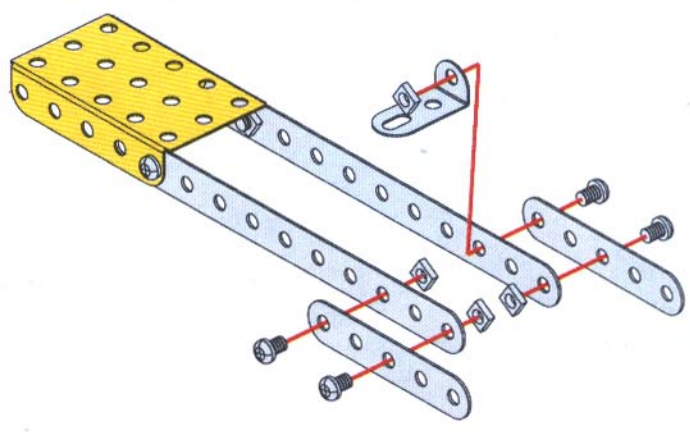
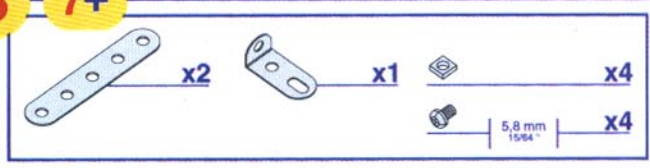
**6** **3+** **4+** **5+**



**7**

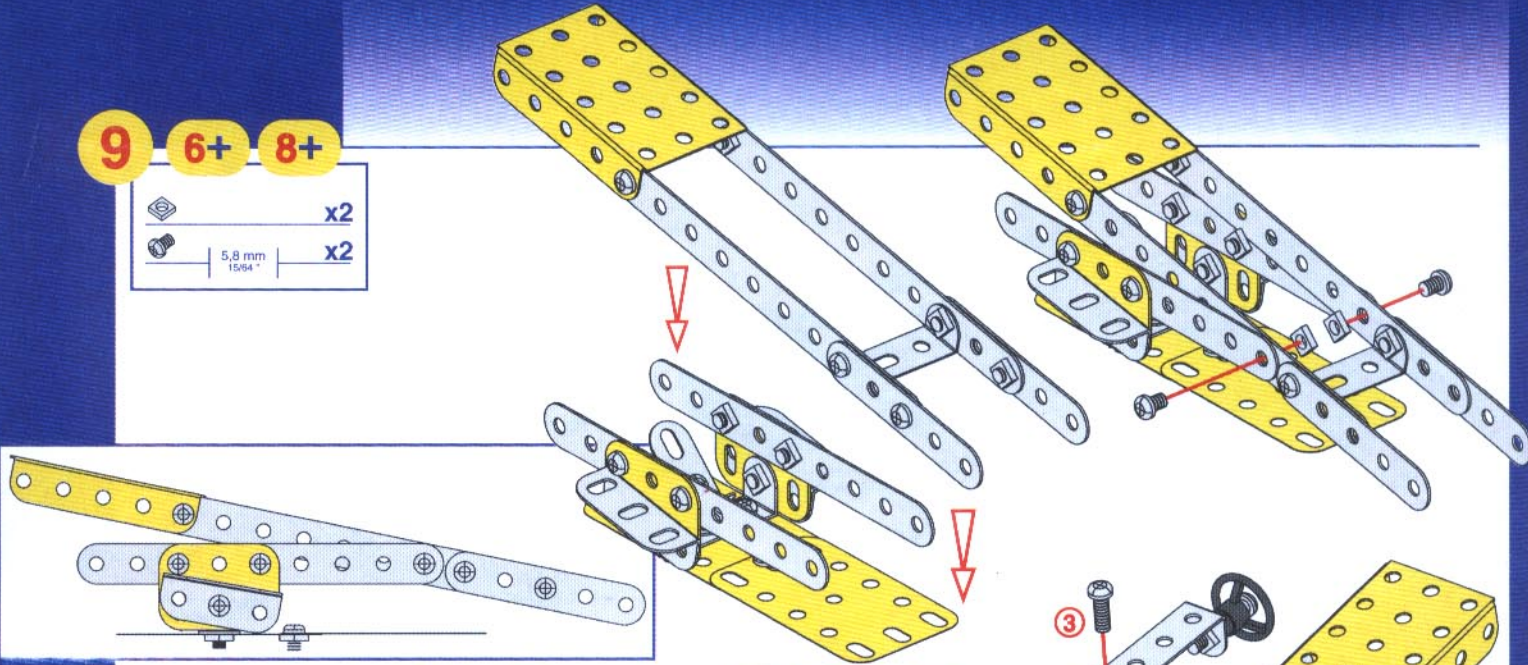


**8** **7+**



**9 6+ 8+**

	x2
	x2



**10**

	23 mm 29/32"	x1
	x1	
	x1	
	x1	

**11 10+**

	x1
	x1

**12 9+ 11+**

	x1
	x1
	x1

**13**

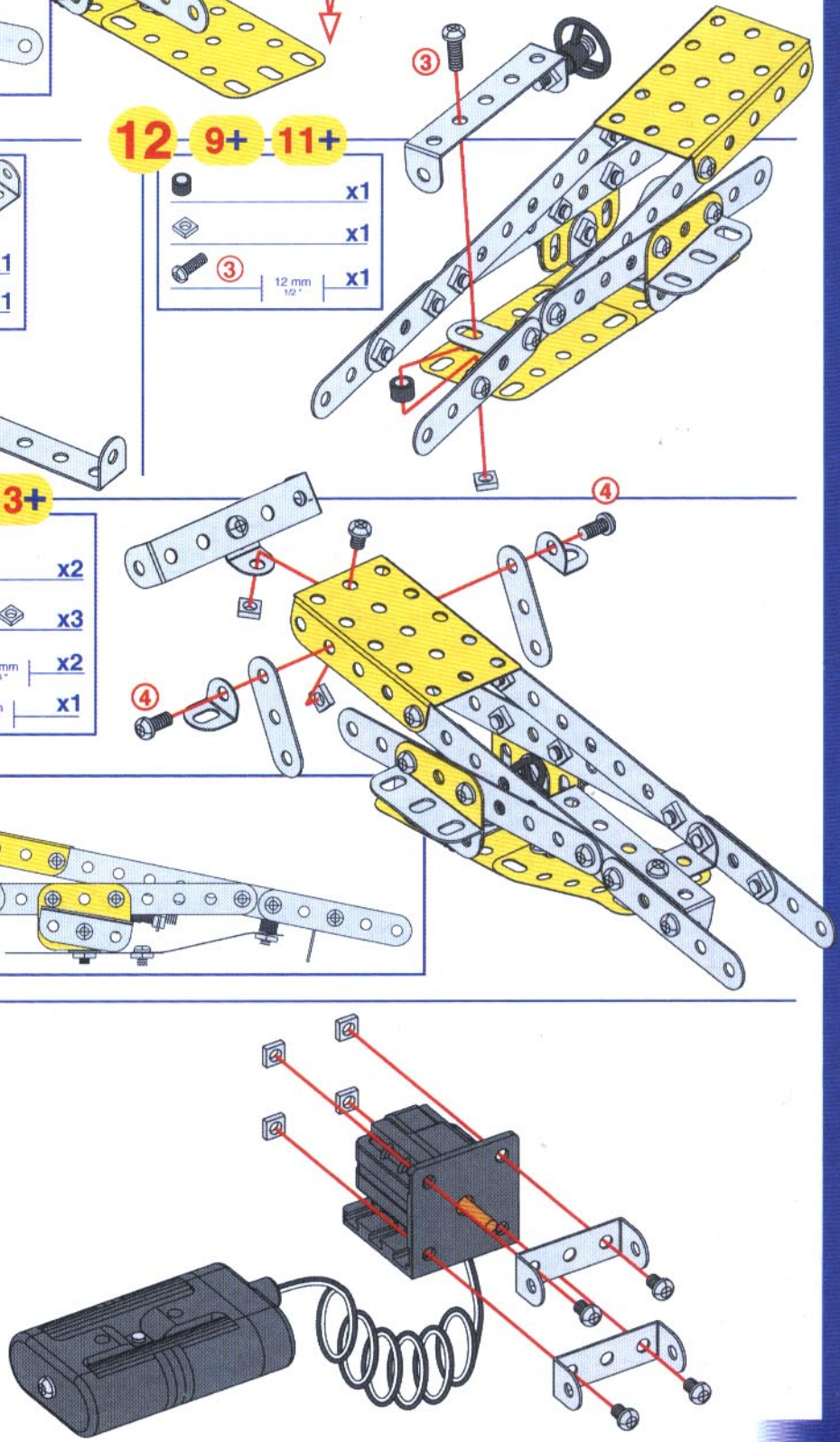
	x1
	x1
	x1
	x1

**14 12+ 13+**

	x2
	x2
	x3
	x2
	x1

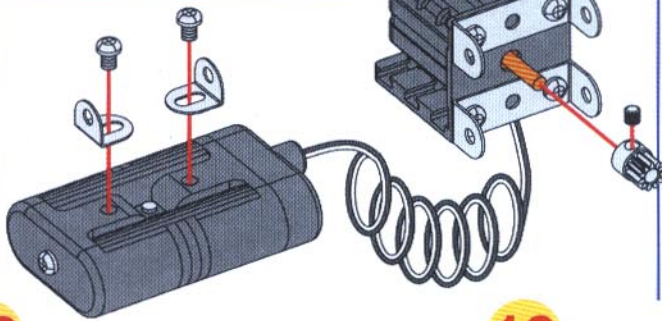
**15**

	x1
	x2
	x4
	x4



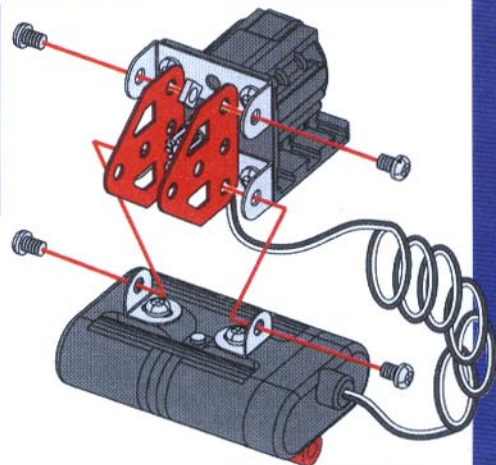
16 15+

- x2
- x1
- x1
- 5,8 mm 15/64" x2



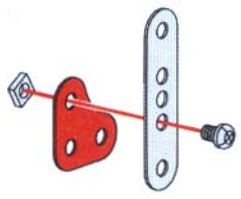
17 16+

- x2
- x4
- 5,8 mm 15/64" x4



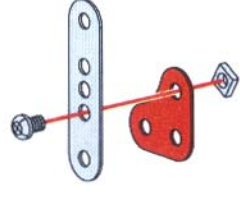
18

- x1
- x1
- x1
- 5,8 mm 15/64" x1



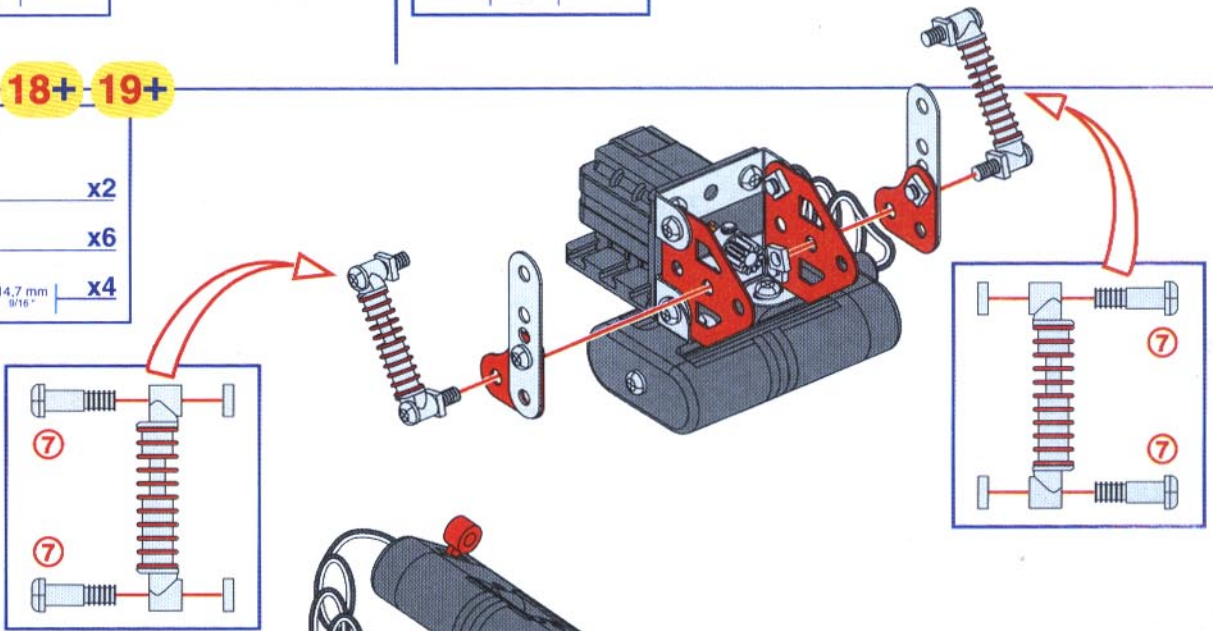
19

- x1
- x1
- x1
- 5,8 mm 15/64" x1



20 17+ 18+ 19+

- x2
- x6
- 14,7 mm 9/16" x4



21 14+ 20+

- 6 cm 2 1/2" x1
- x2
- x2

