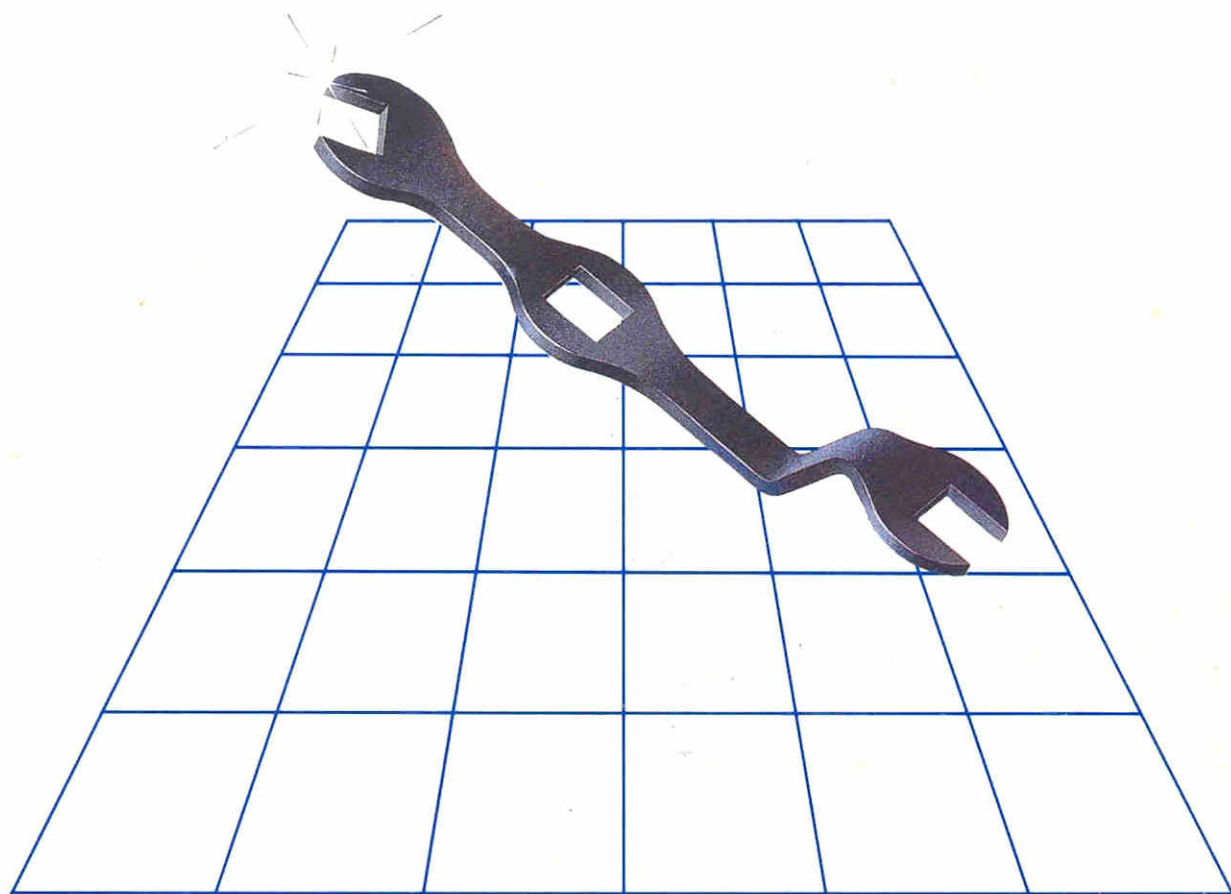


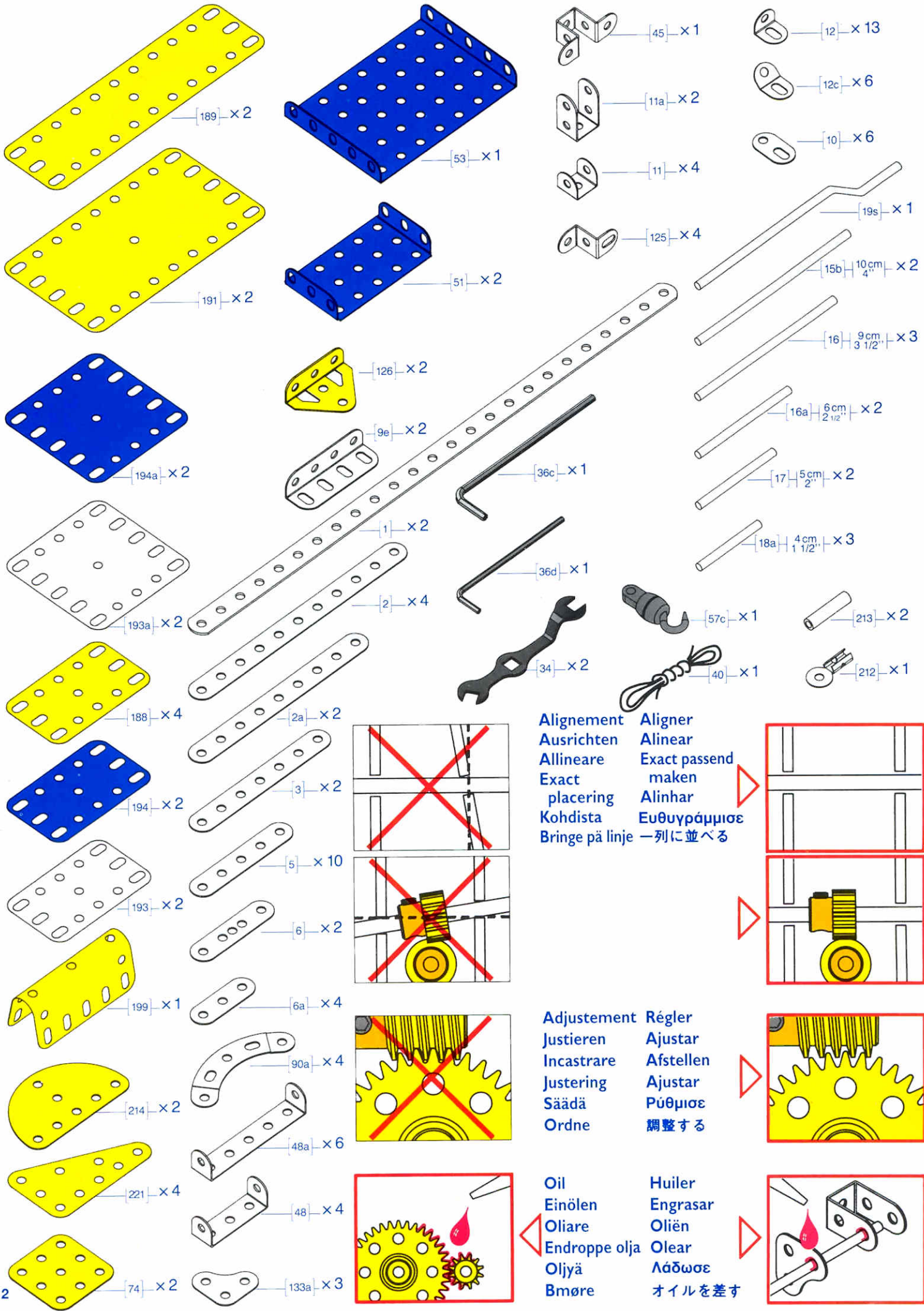
MECCANO®



NOTICE
LEAFLET
BESCHRIJVINGEN
ANLEITUNG
ISTRUZIONI
INSTRUCCIONES

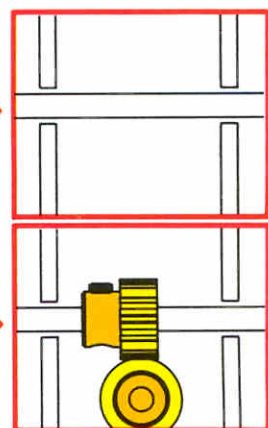
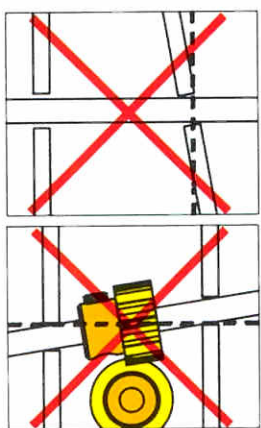
說明書

4



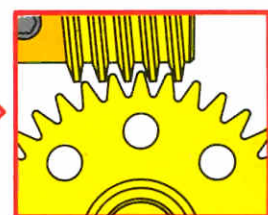
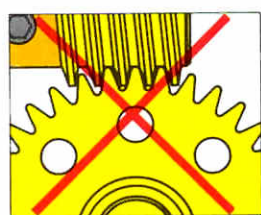
Alignement
Ausrichten
Allineare
Exact
placering
Kohdistu
Bringe på linje

Aligner
Alinear
Exact passend
maken
Alinhar
Ευθυγράμμιση
一列に並べる



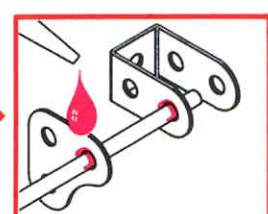
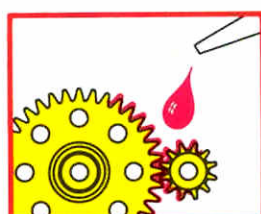
Adjustement
Justieren
Incastrare
Justering
Säädä
Ordne

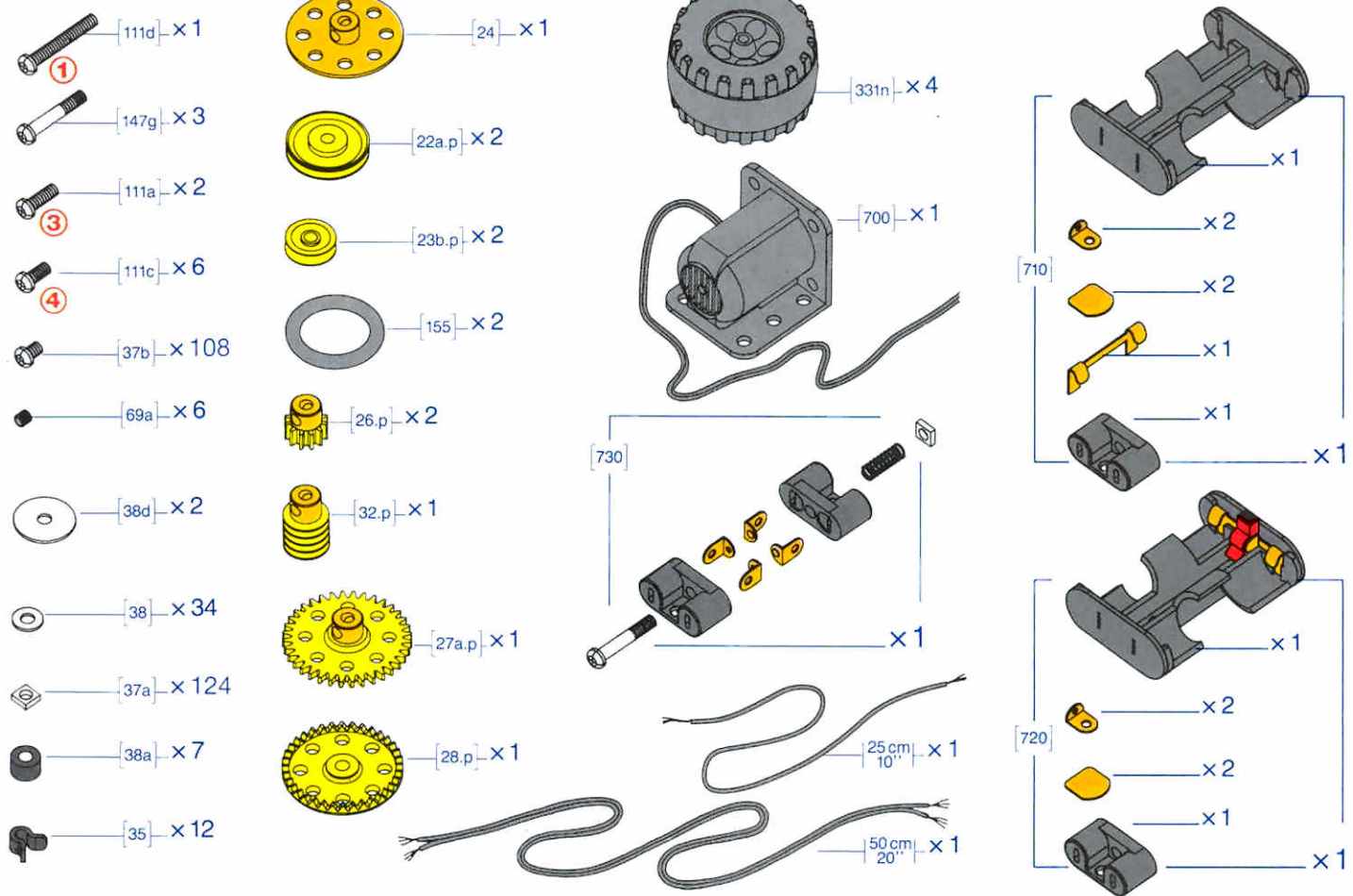
Régler
Ajustar
Afstellen
Ajustar
Ρύθμιση
調整する



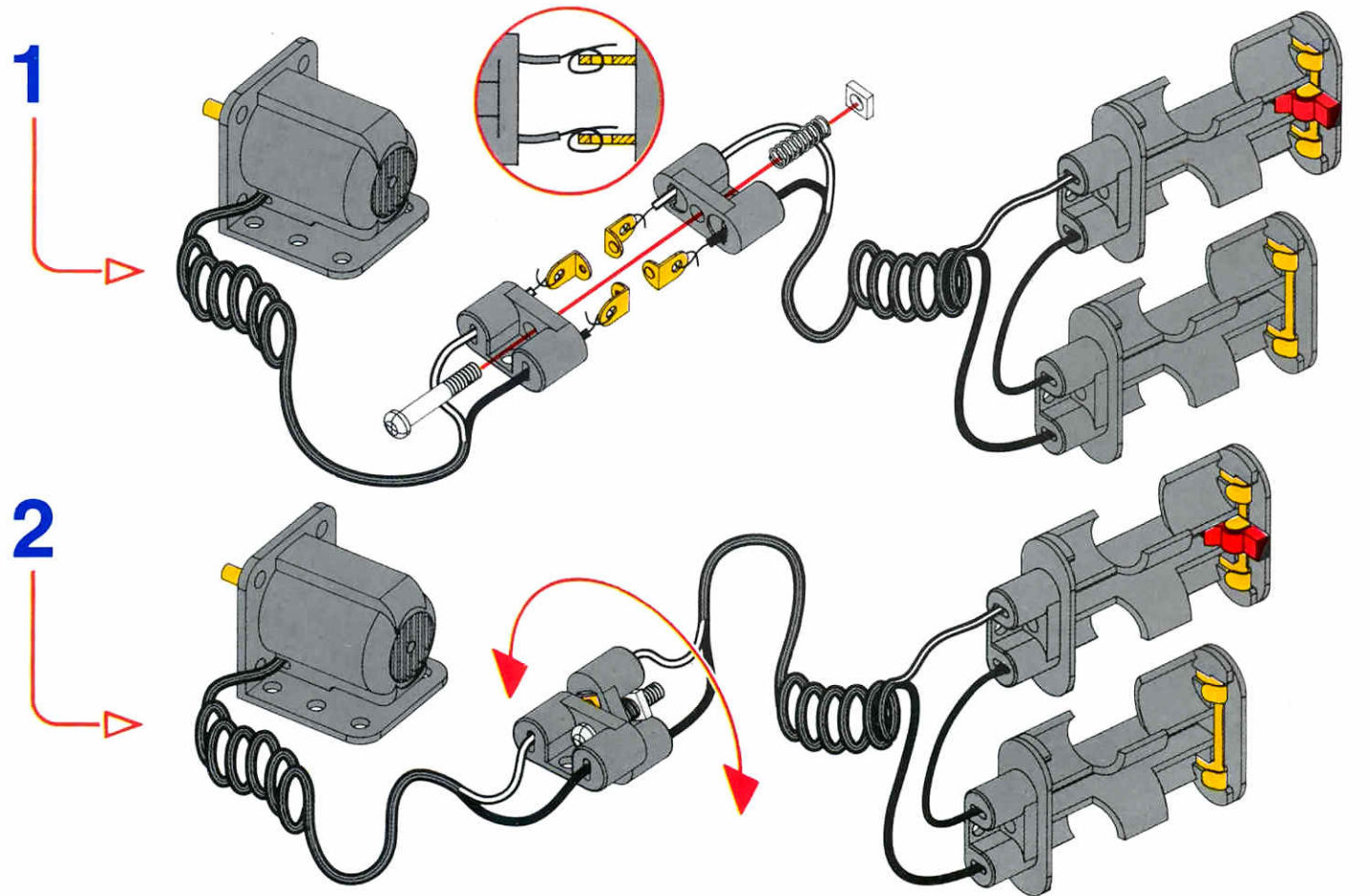
Oil
Einölen
Oliare
Endroppe olja
Oljyä
Bmøre

Huiler
Engrasar
Oliën
Olear
Λάδωση
オイルを差す



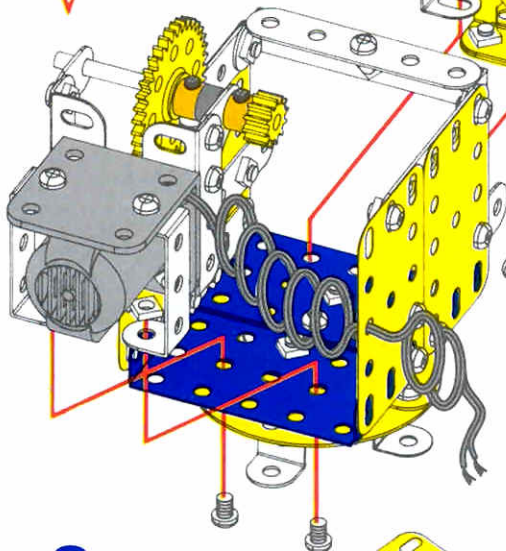


- | | | | |
|---------------------------------|-------------------------------------|-------------------------------|----------------------------------|
| GB Reversing switch | I Interruttore di inversione | DK Omskifningsafbryder | P Interruptor de inversão |
| F Interrupteur inverseur | S Fram/back-ömkastarc | E Interruptor inversor | GR Διακόπτης αναστροφής |
| D Der Rückwärtsgang | SF Suunnan vaihtokytkin | NL Omkeerschakelaar | JPN 反転スイッチ |

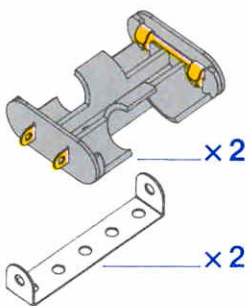


4

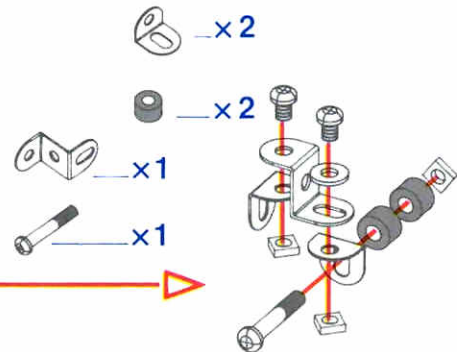
1+2+3



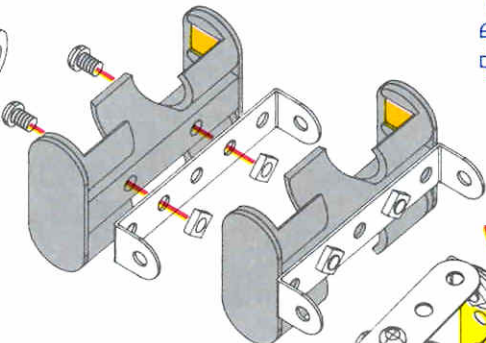
5



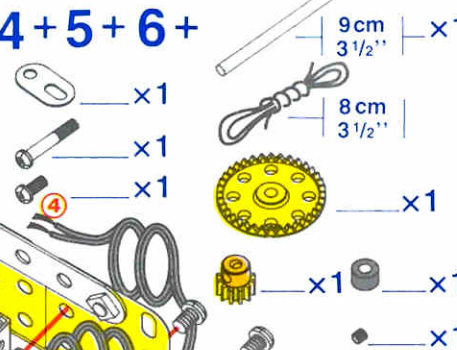
6



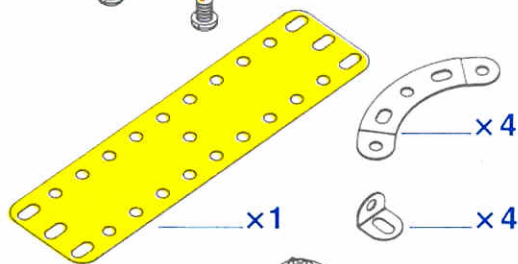
7



4+5+6+

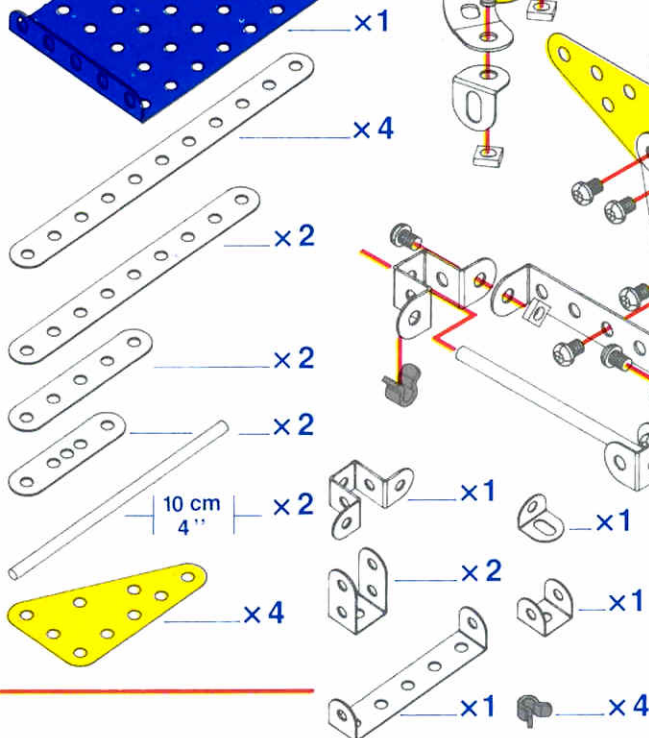
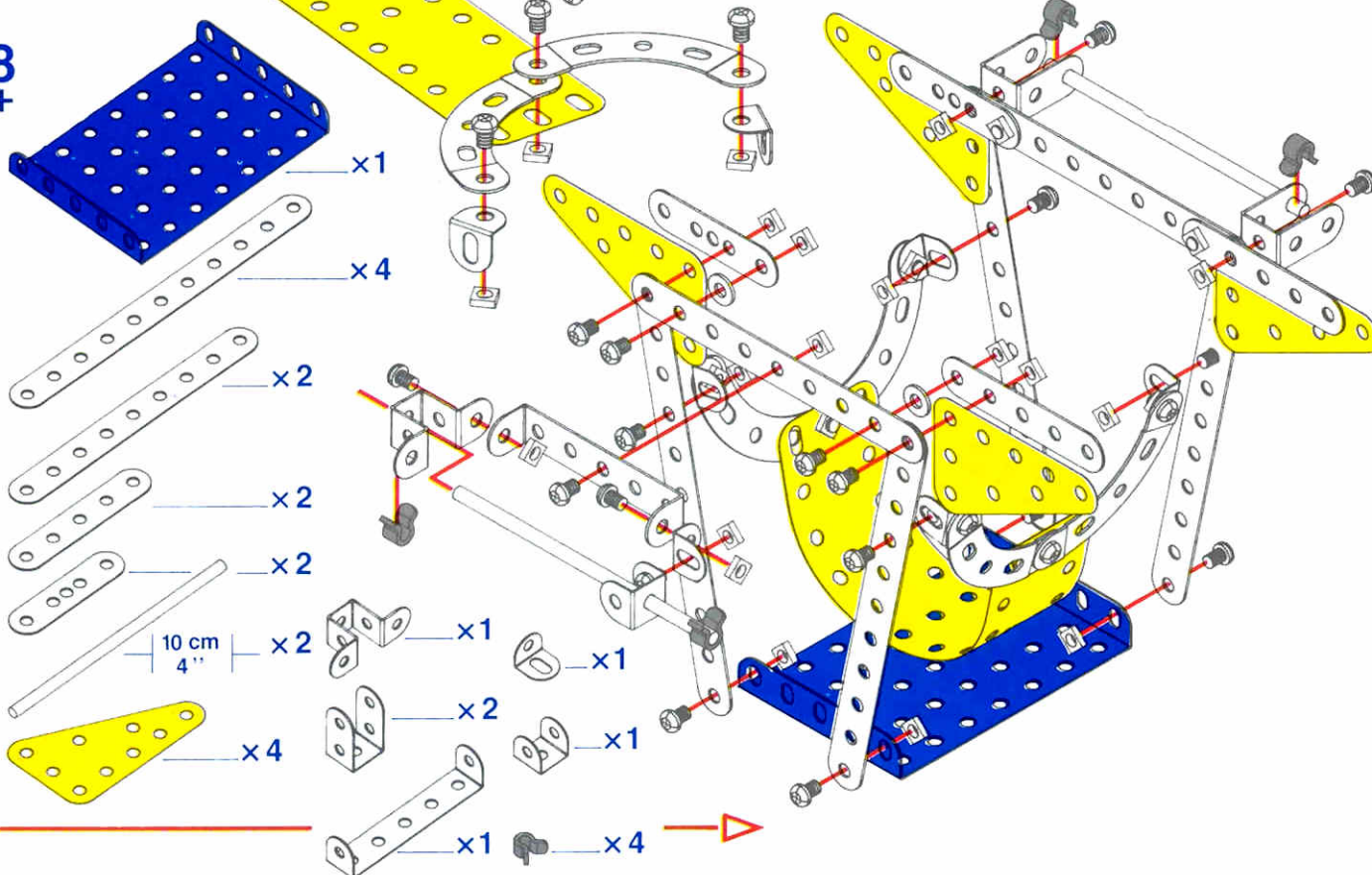


8







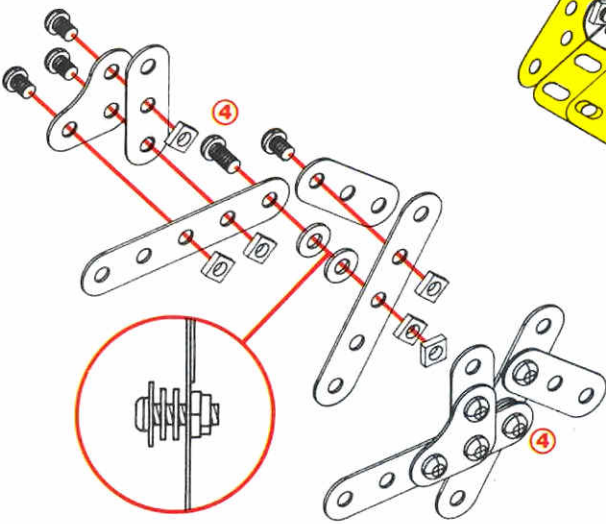
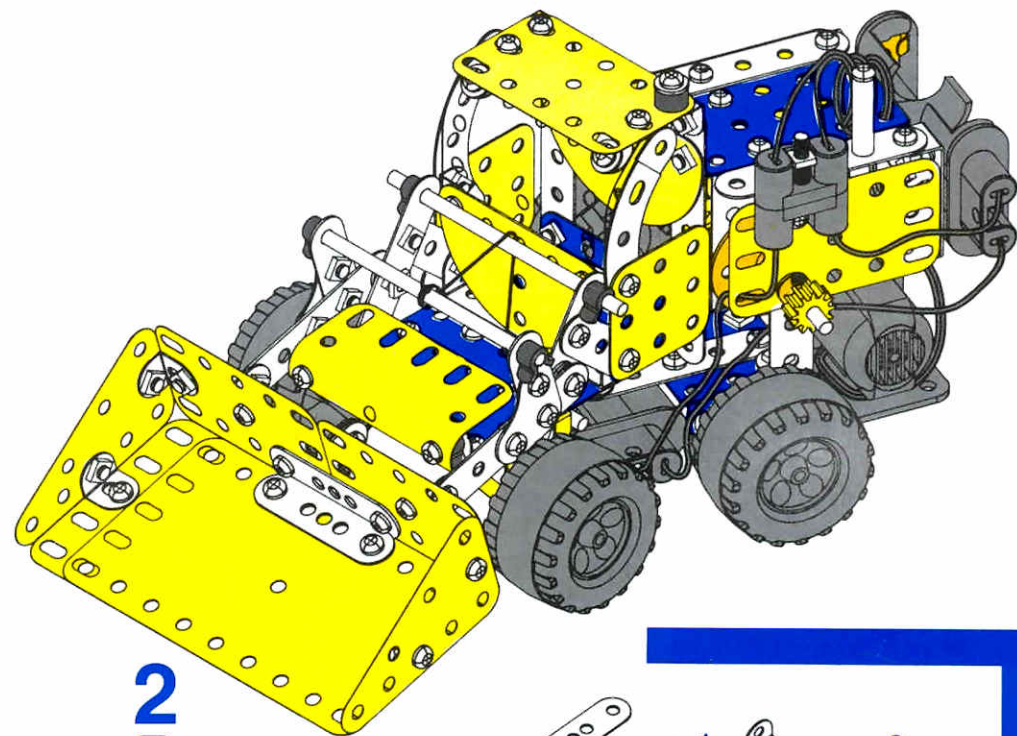
9

+8

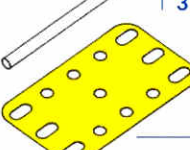
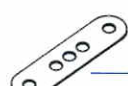
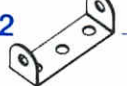



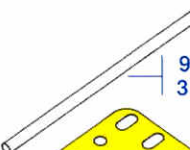


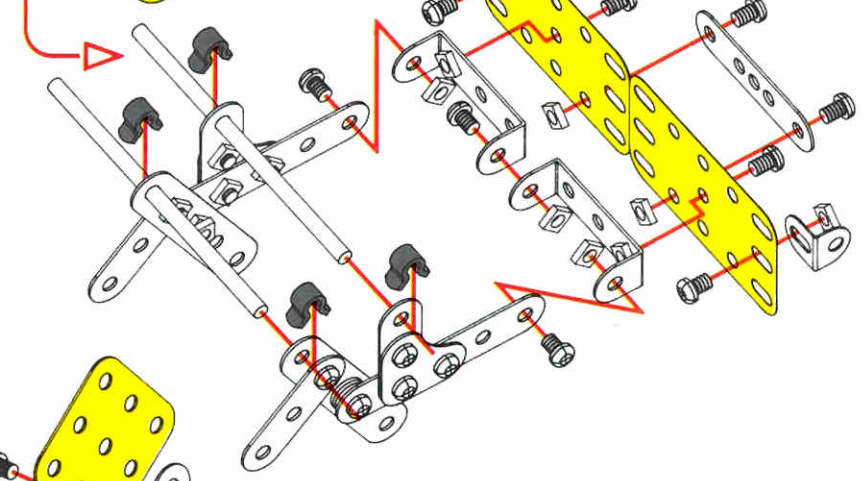
1

-  x4
-  x4
-  x2
-  (4) x2

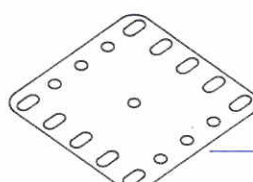
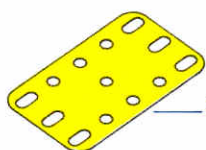
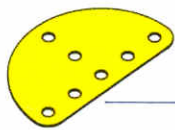
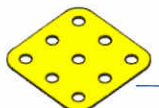
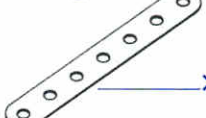
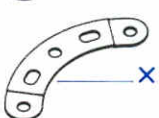






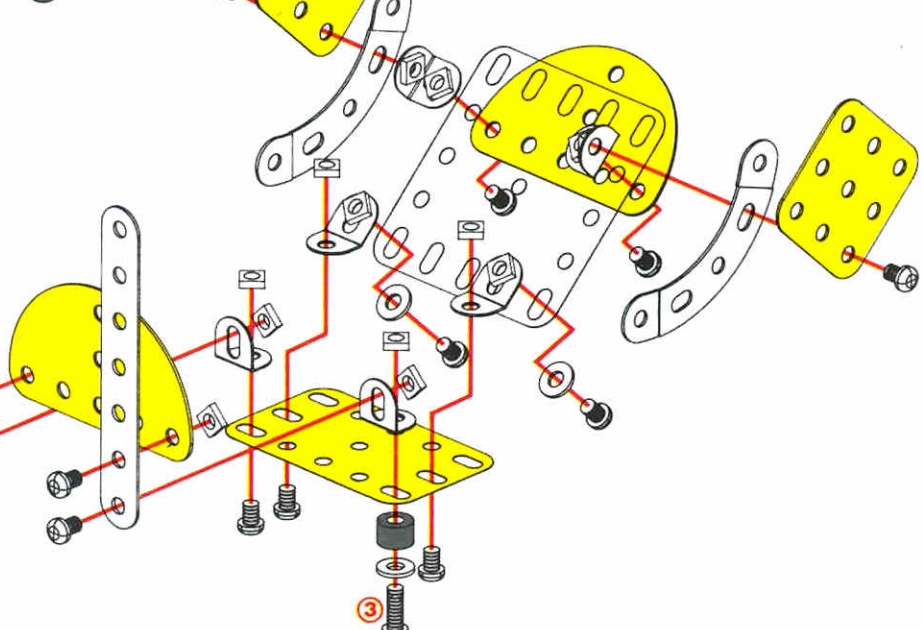
2

-  x2
-  x1
-  x2
-  x2
-  x4
-  x2
-  x2



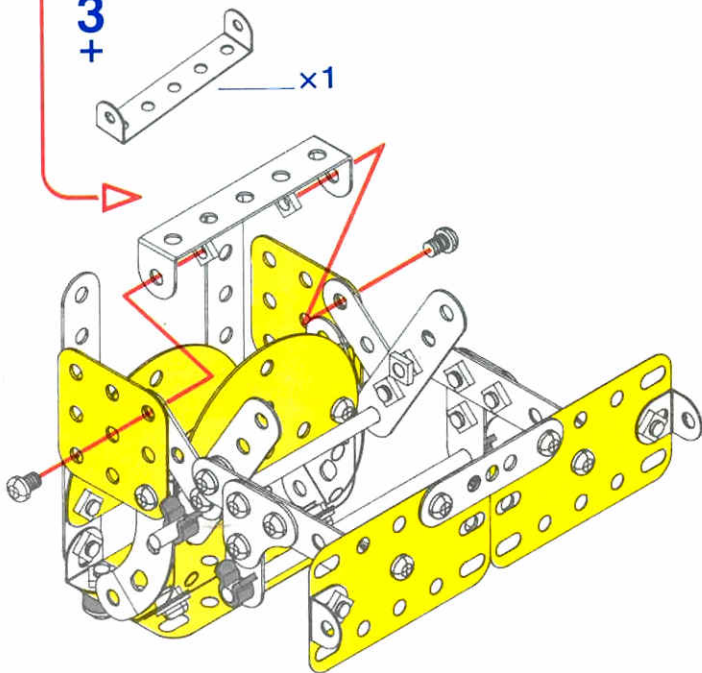
3

-  x1
-  x1
-  x2
-  x2
-  x2
-  x2
-  x4
-  x2
-  (3) x1
-  x1

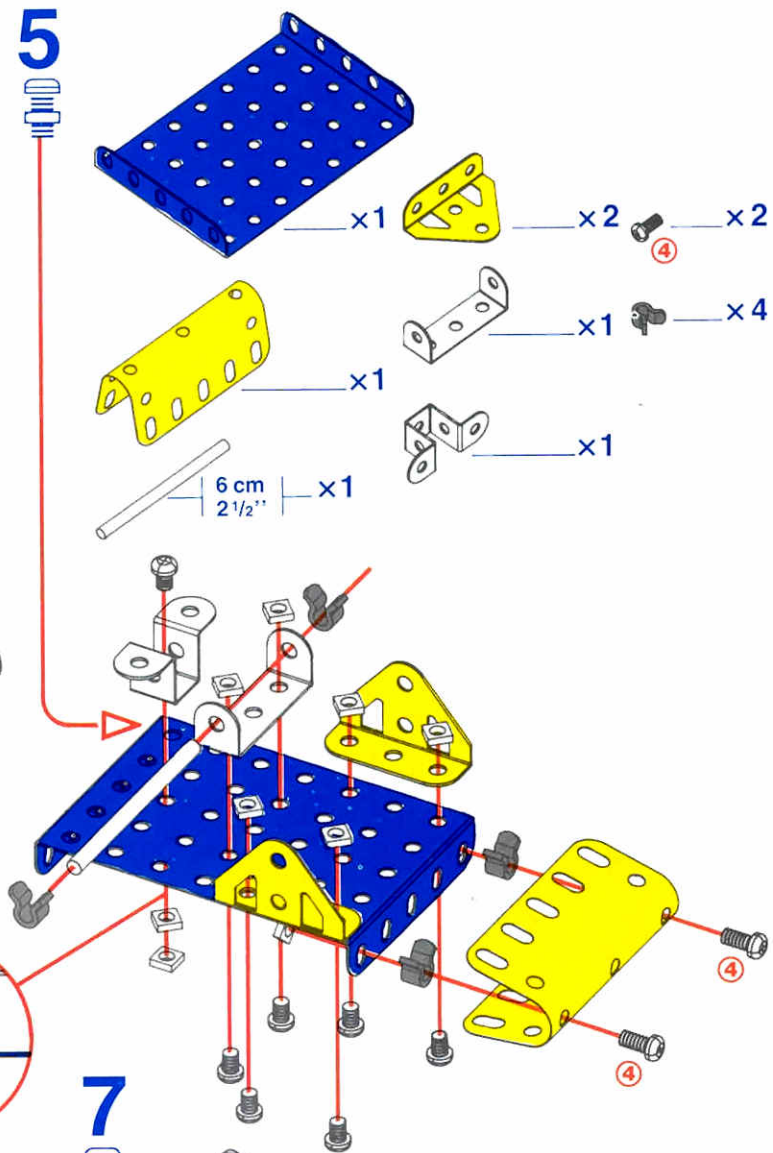


4

2 + 3 +

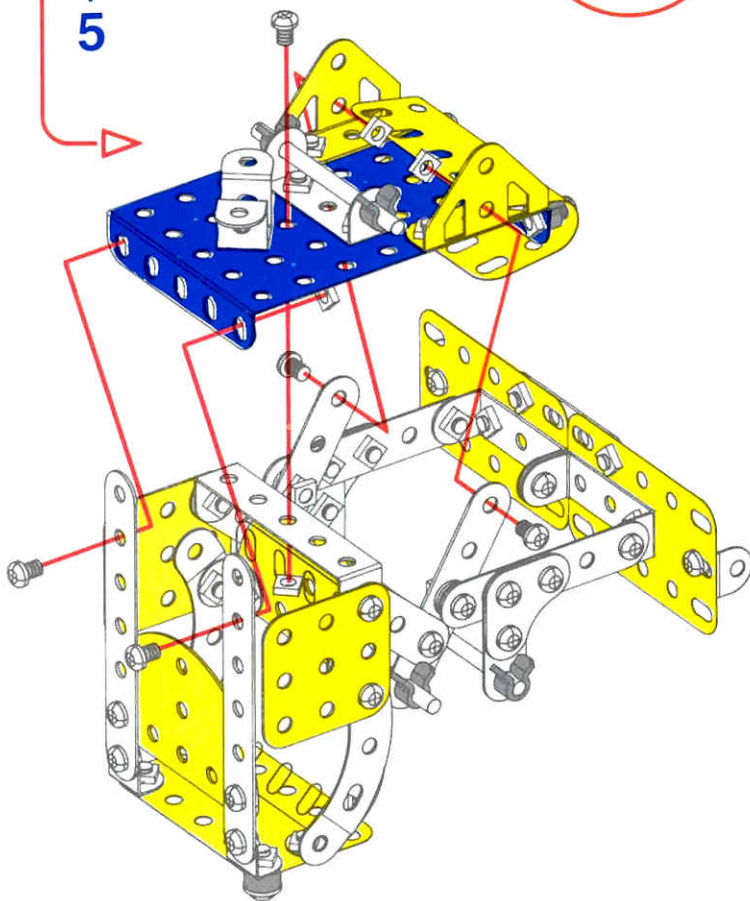


5

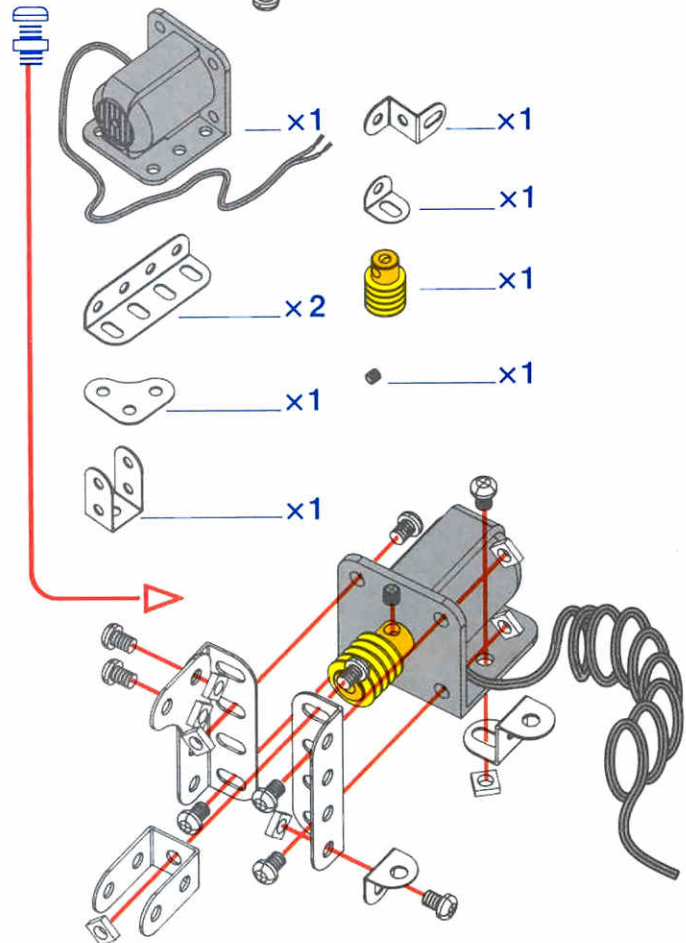


6

4 + 5

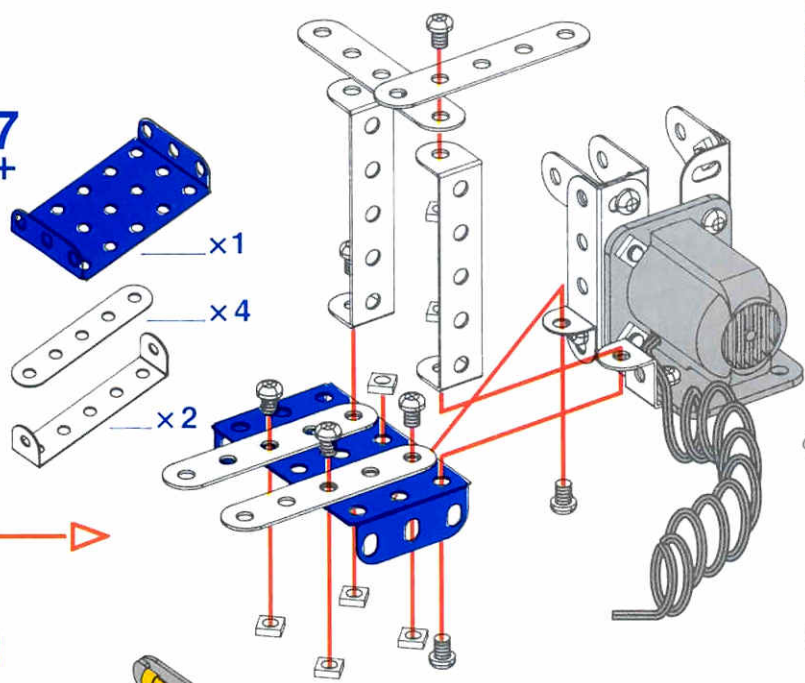


7



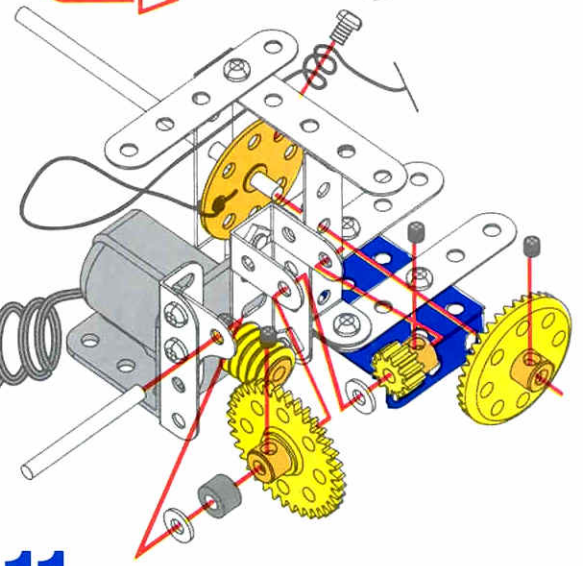
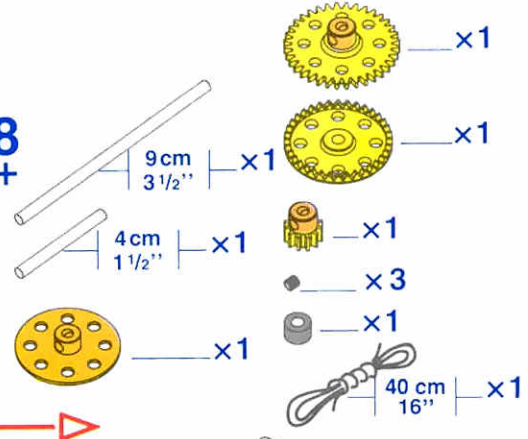
8

7 +

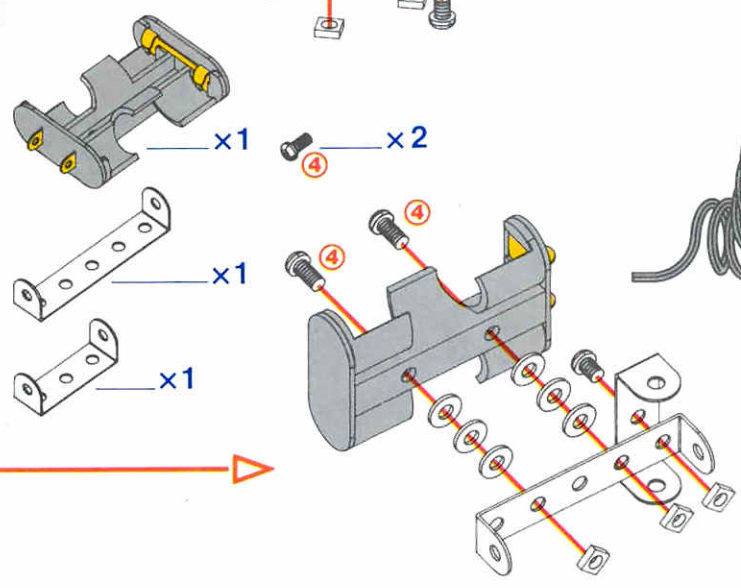


9

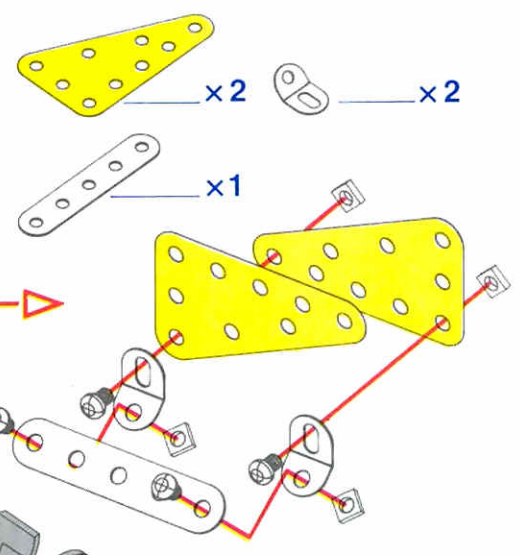
8 +



10

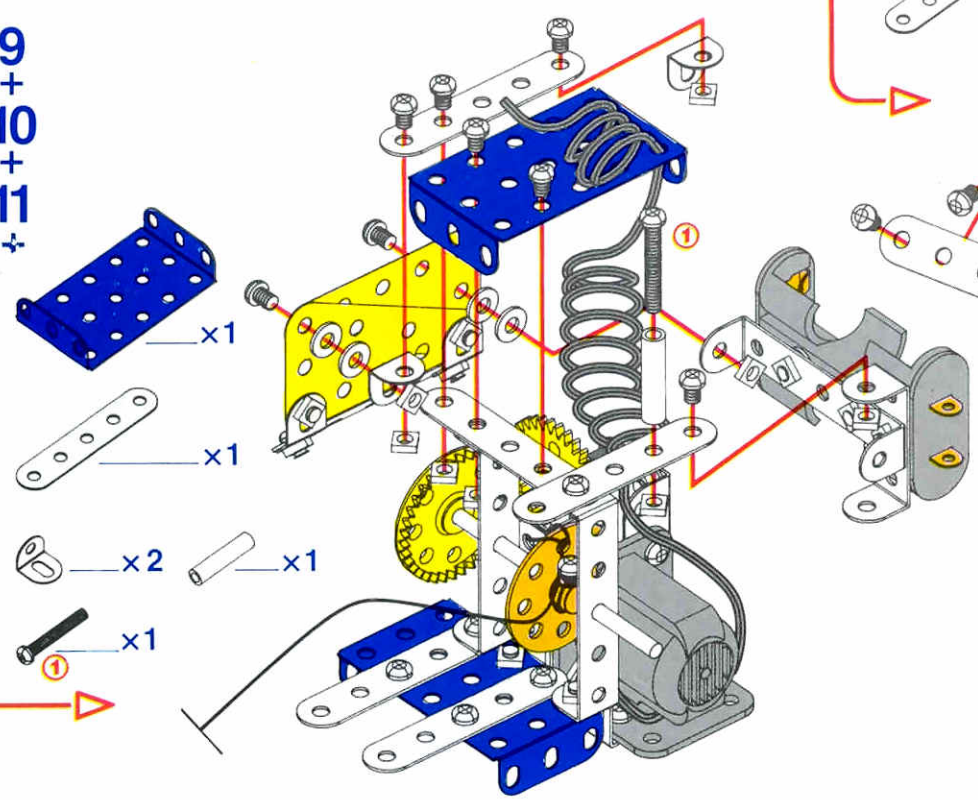


11

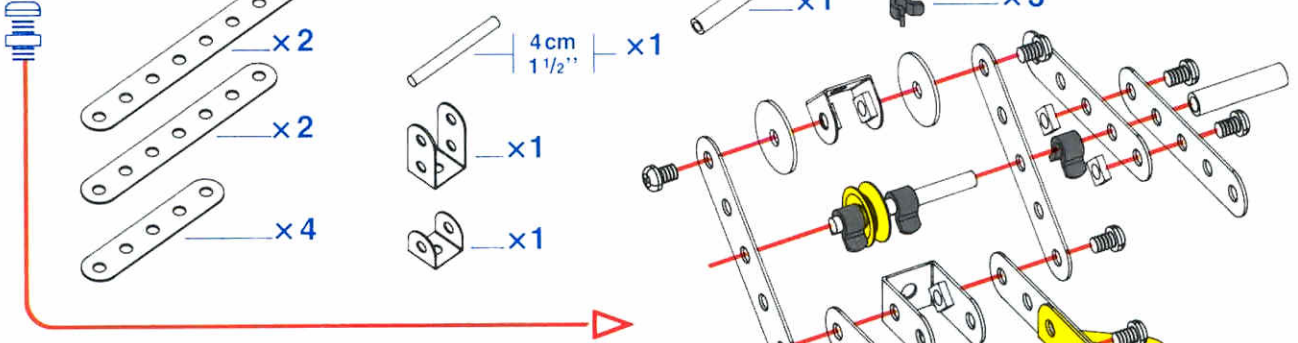


12

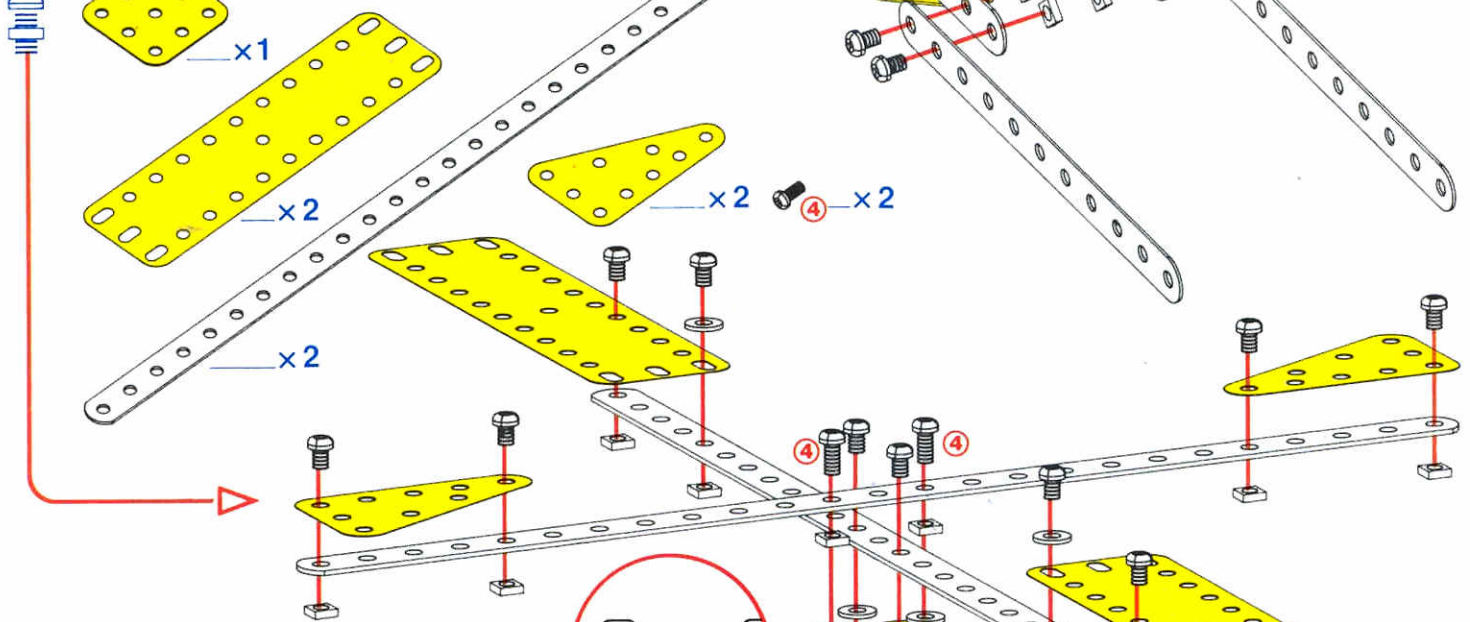
9 + 10 + 11 +



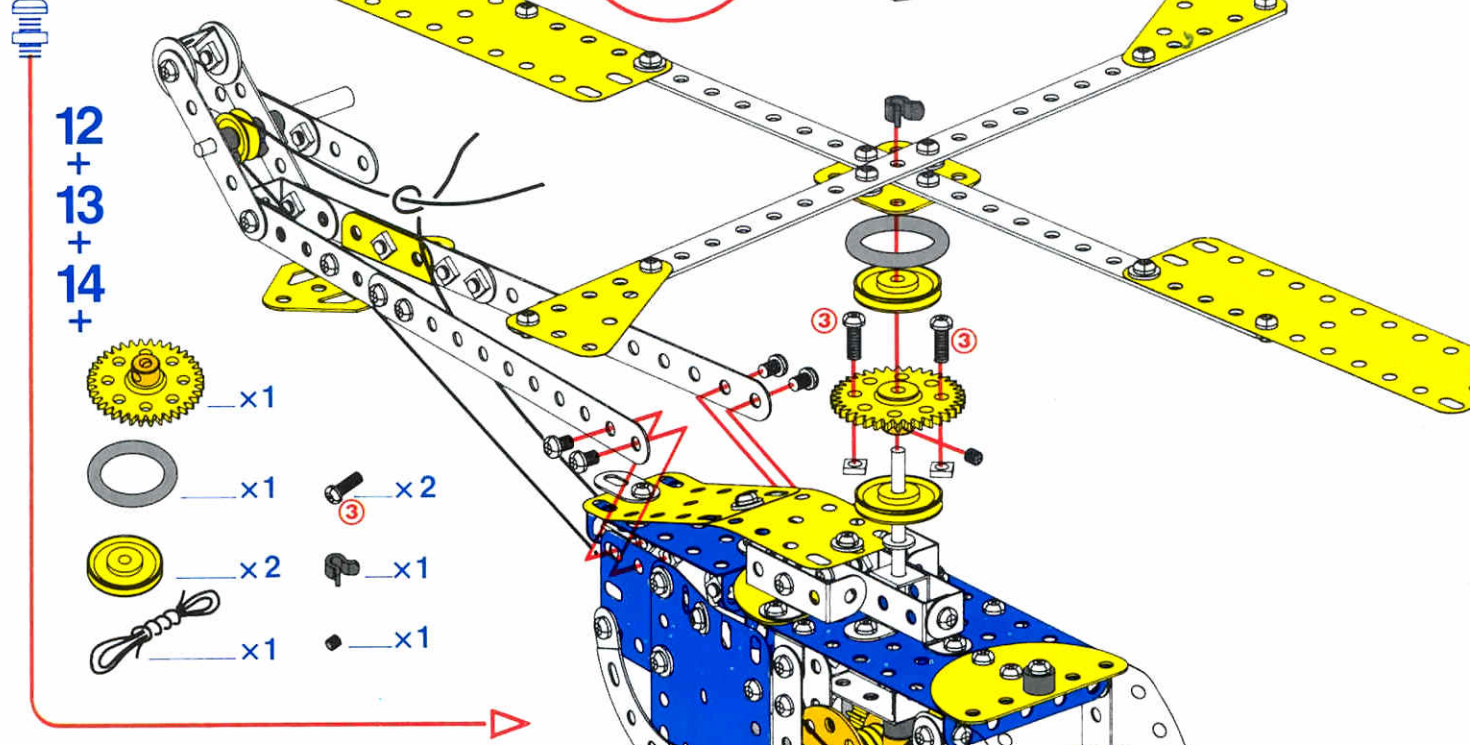
13



14

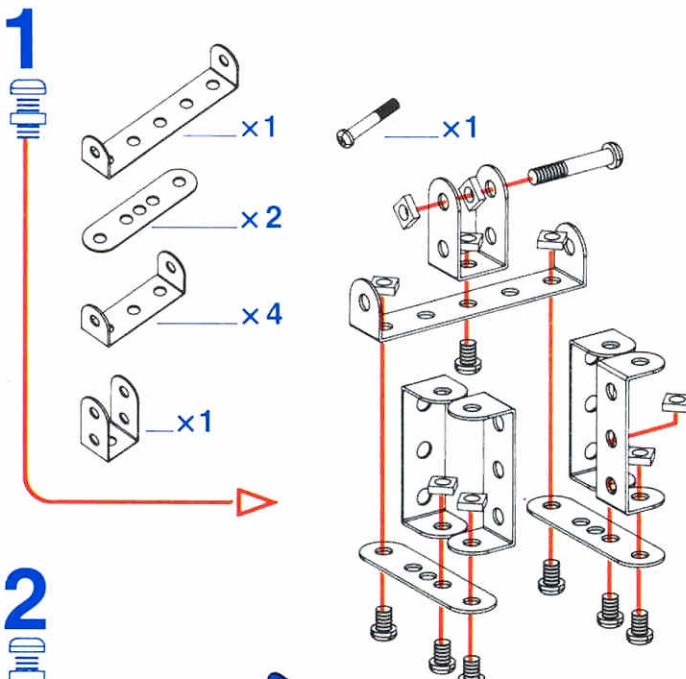


15

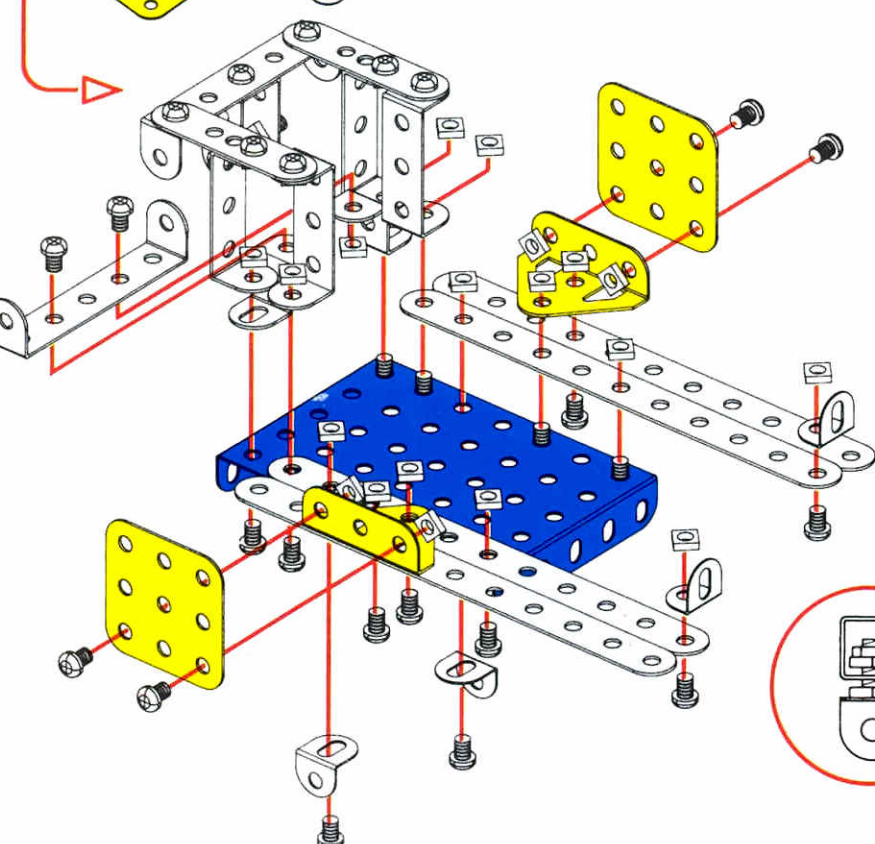
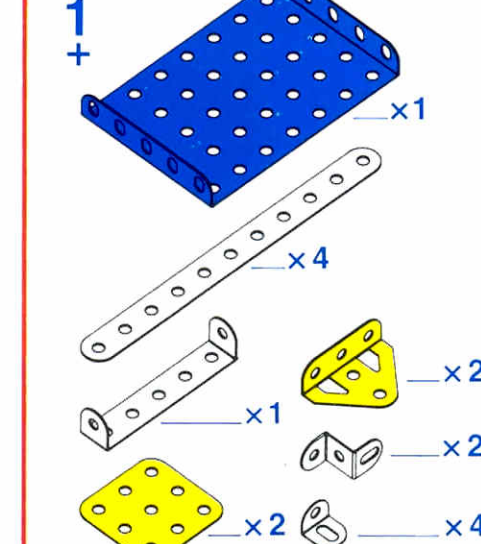


12 + 13 + 14 +

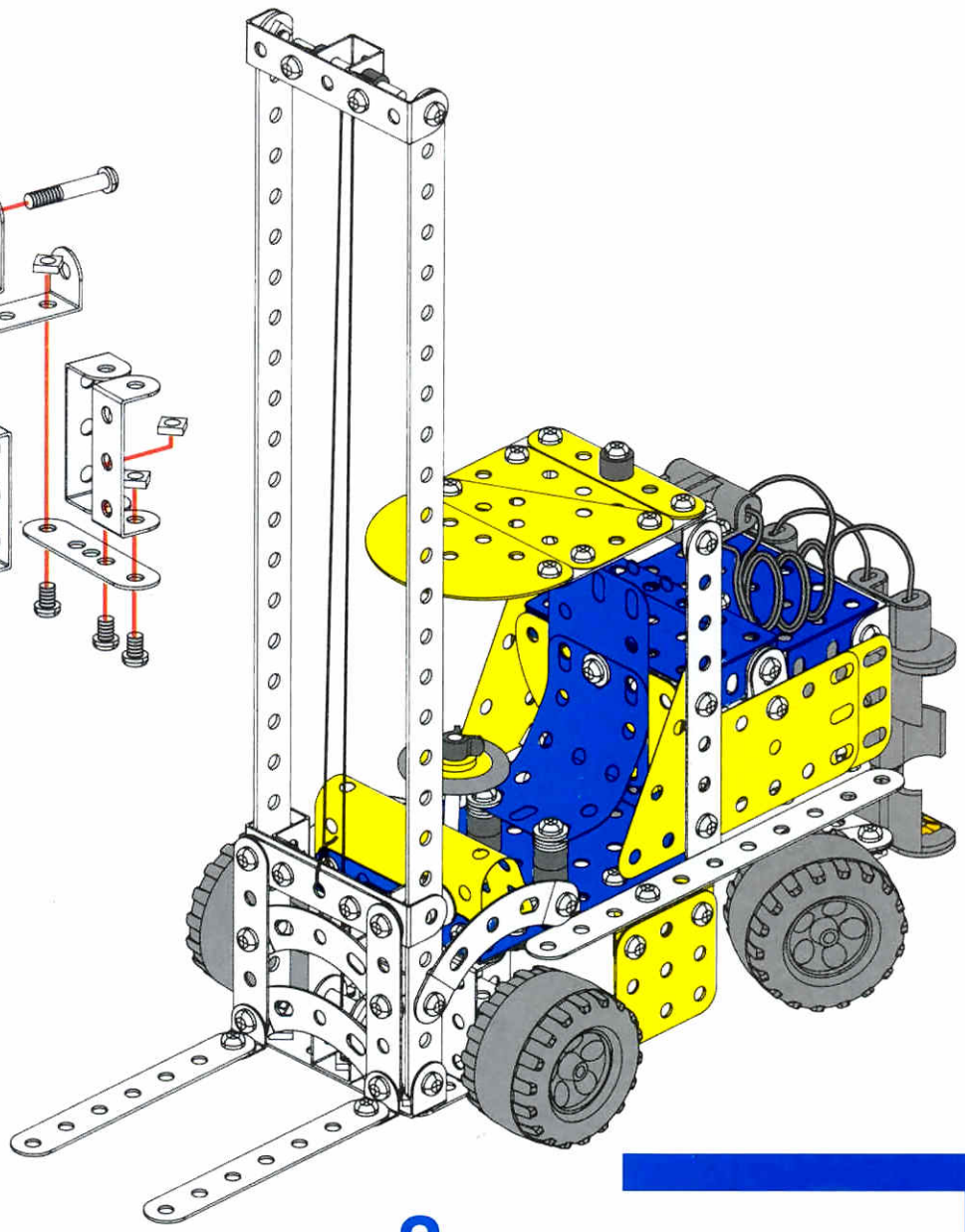
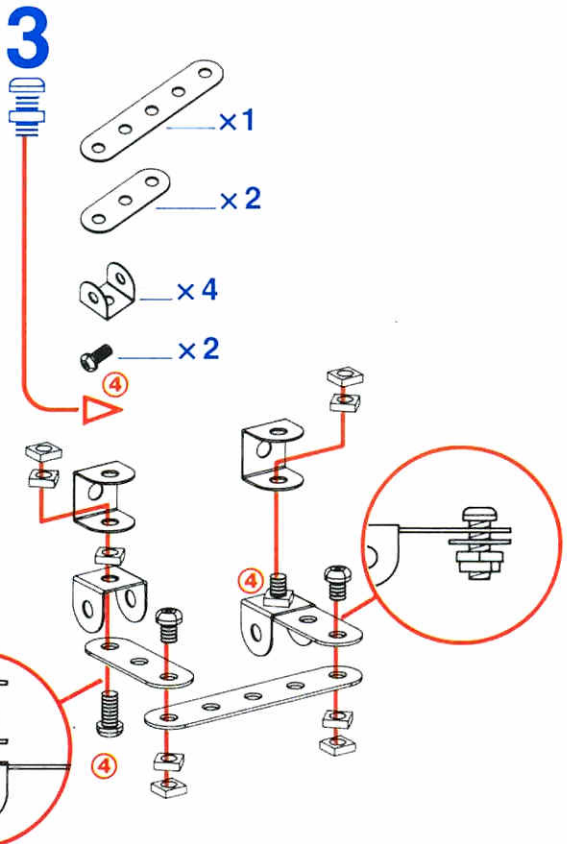
1



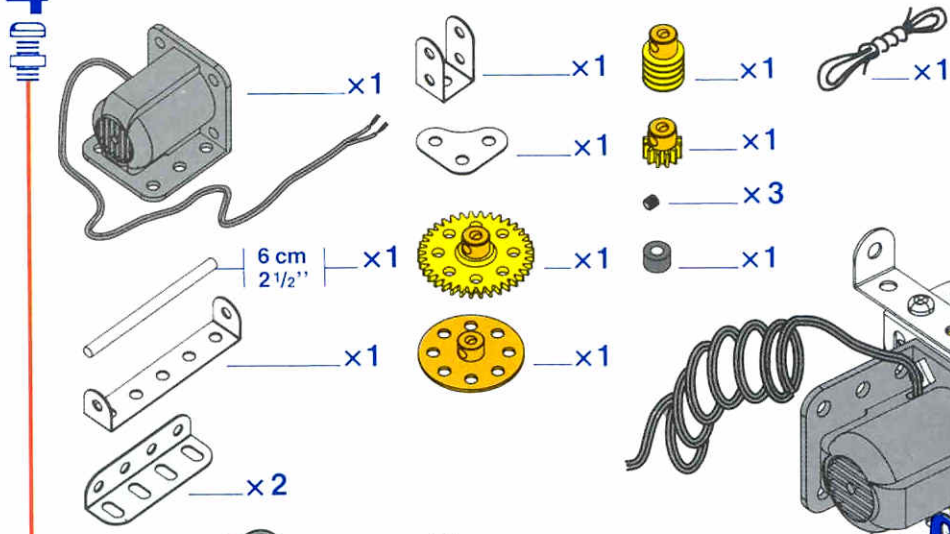
2



3

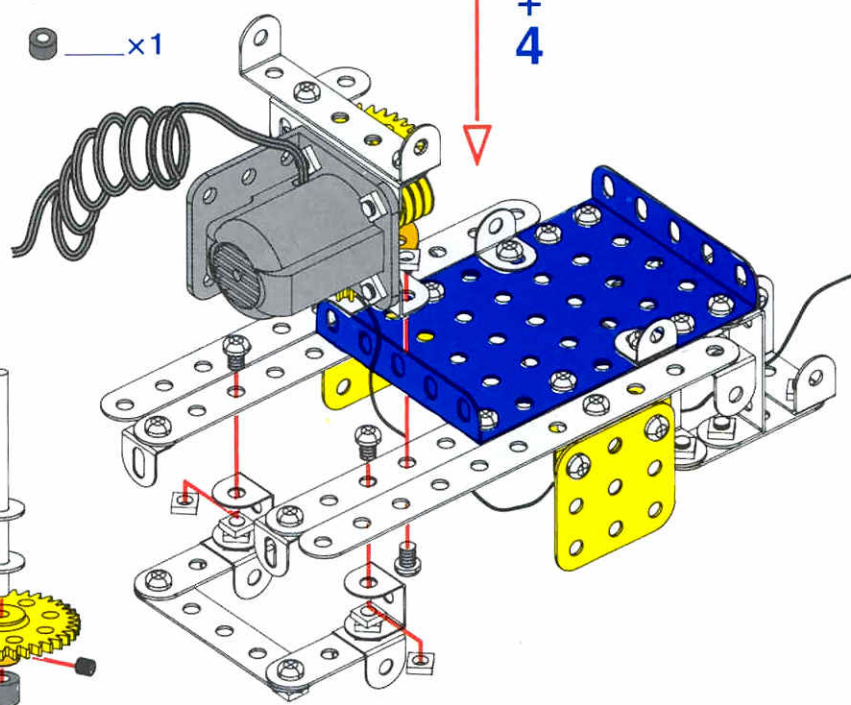


4

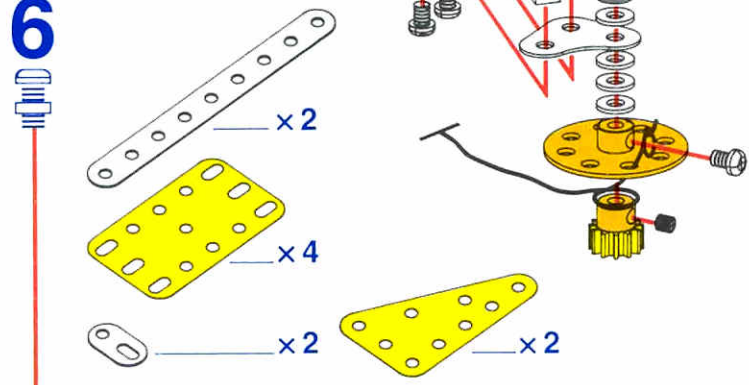


5

2 + 3 + 4

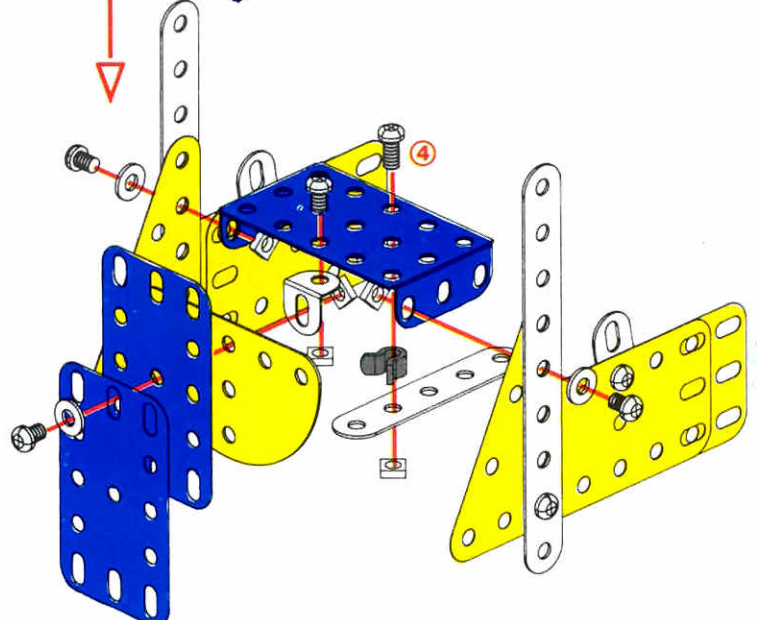
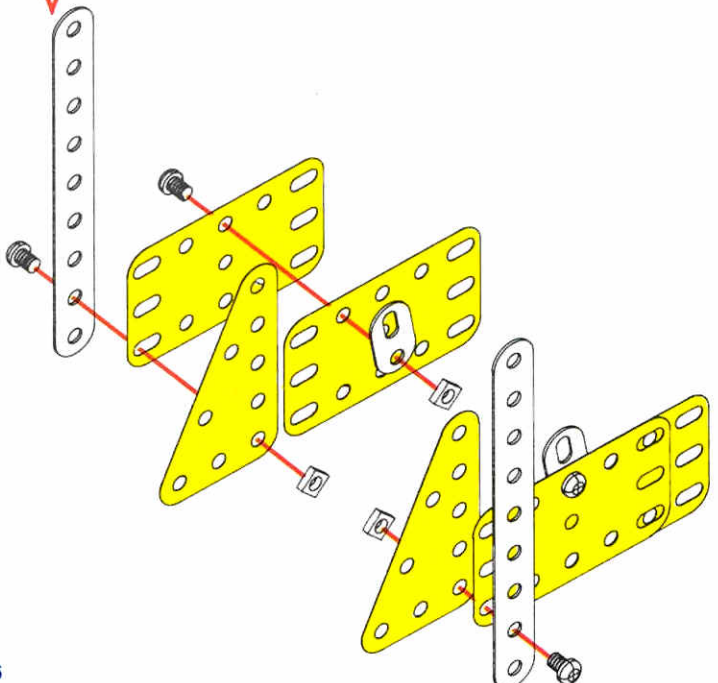
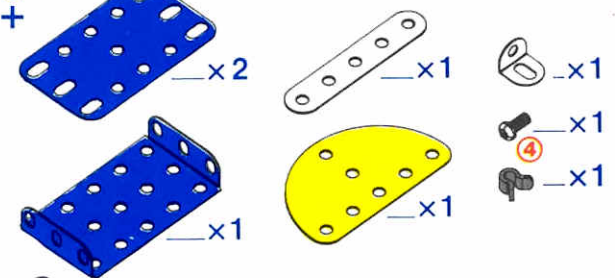


6

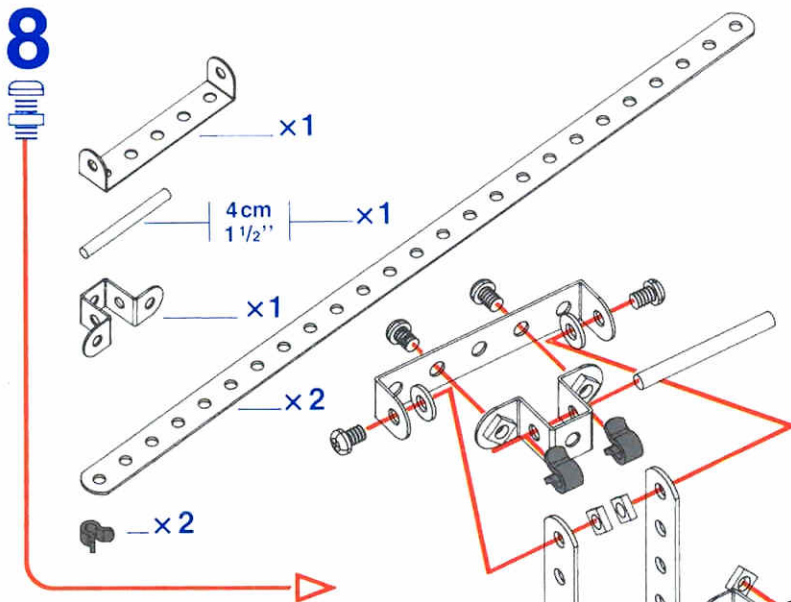


7

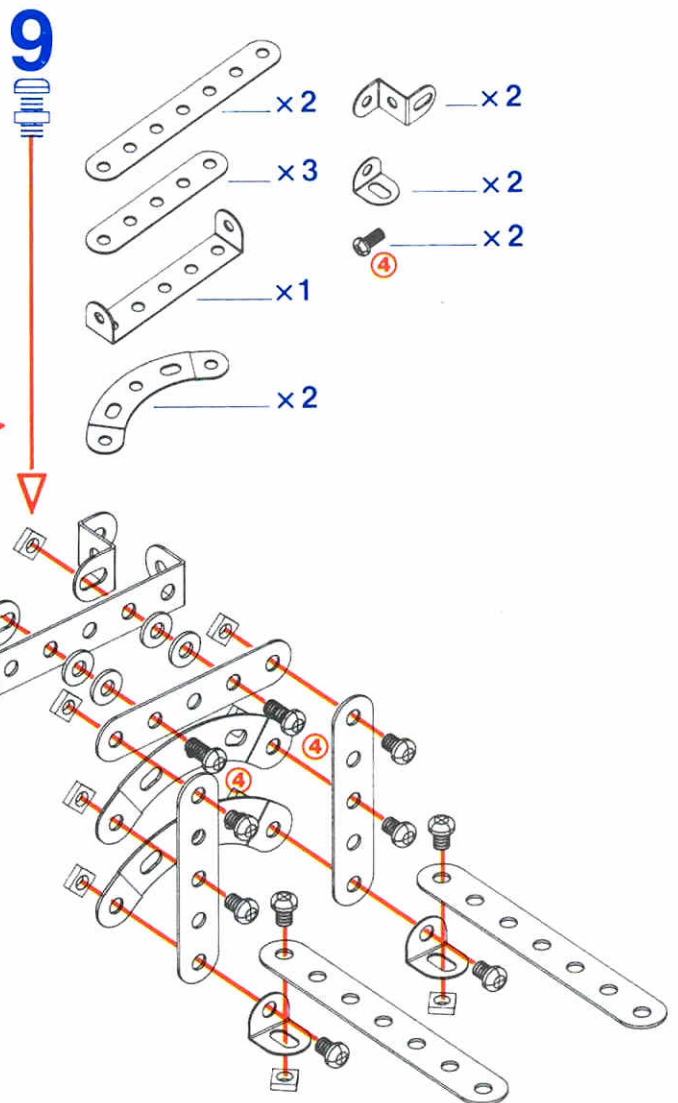
6 +



8

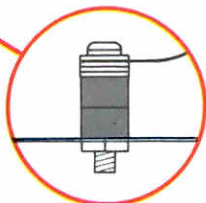
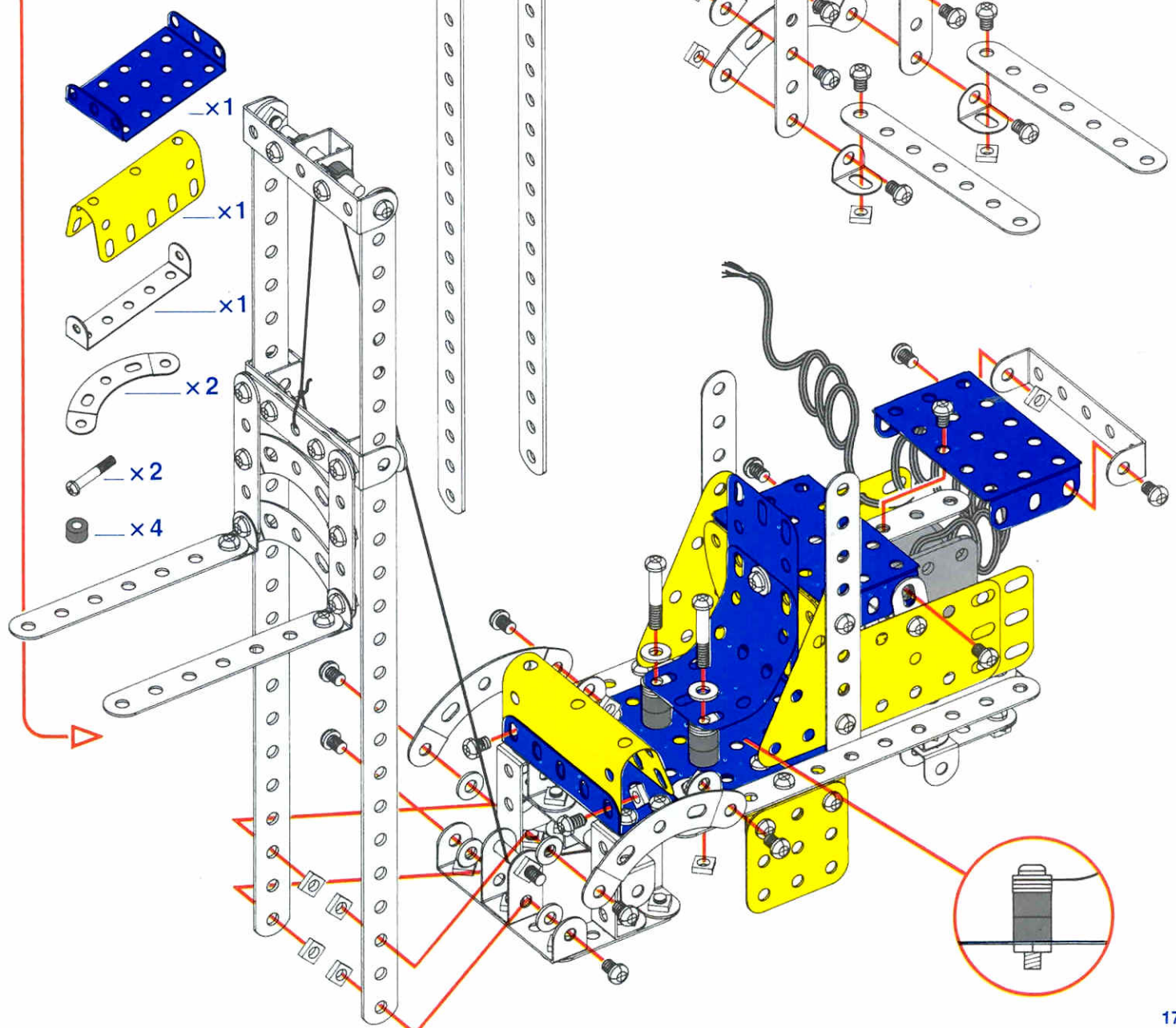


9

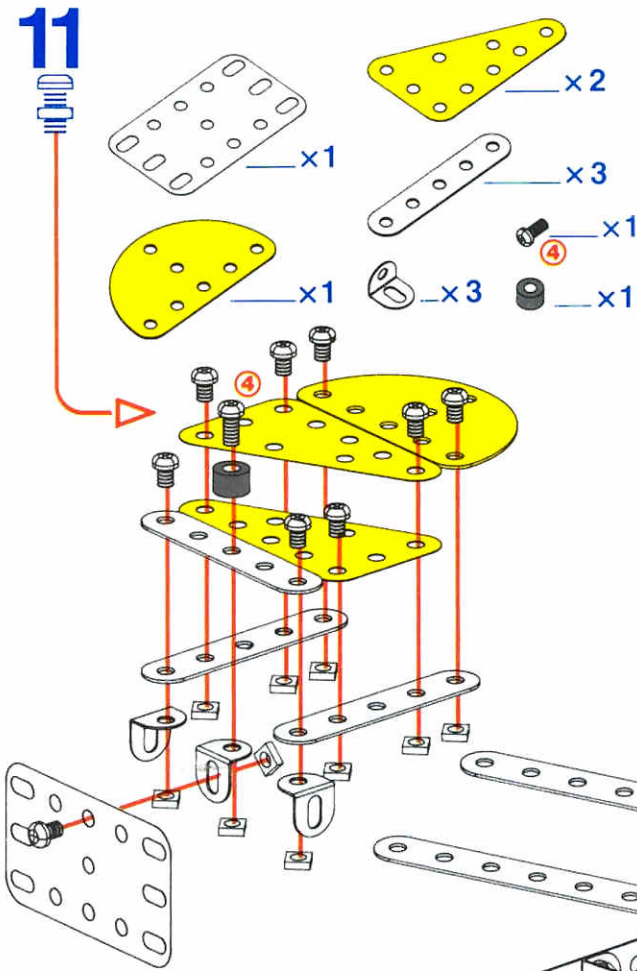


10

5 + 7 + 8 + 9 +

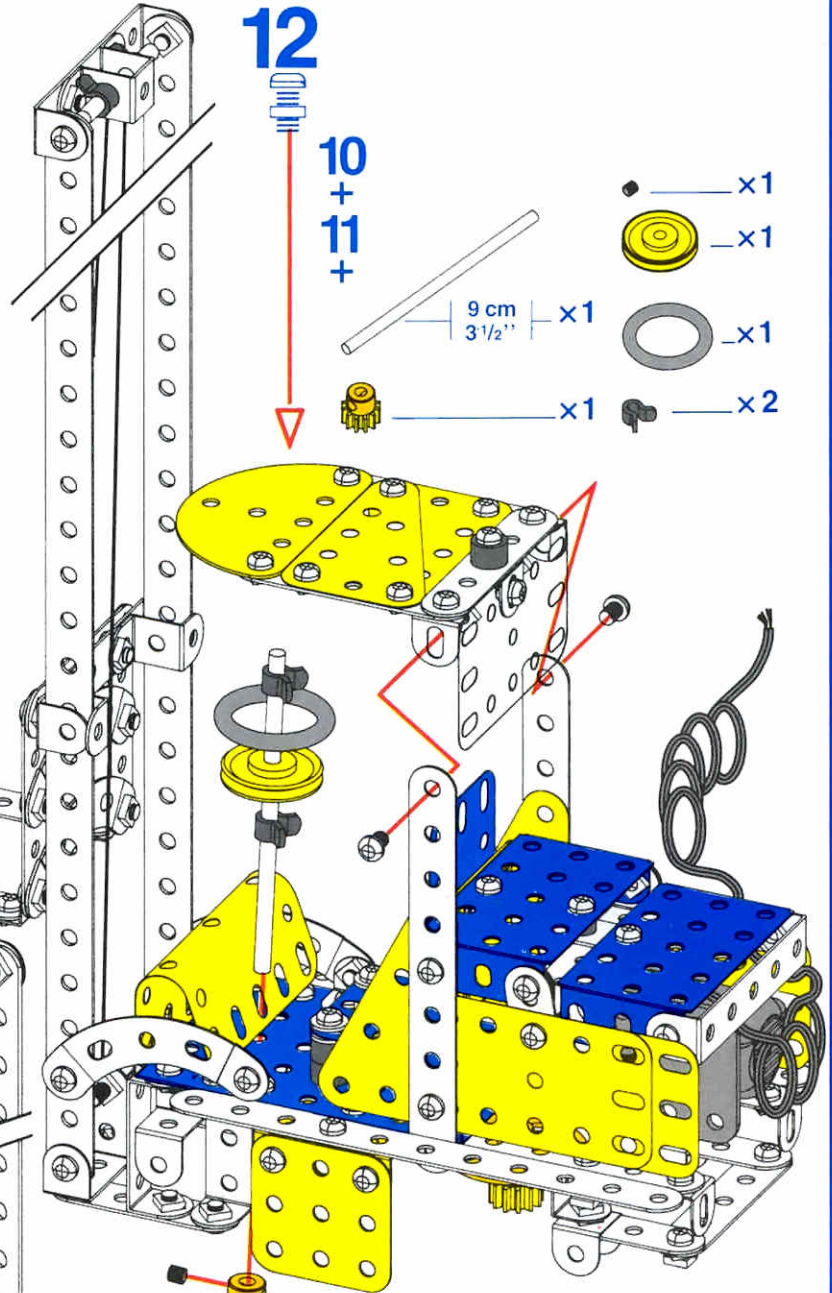


11



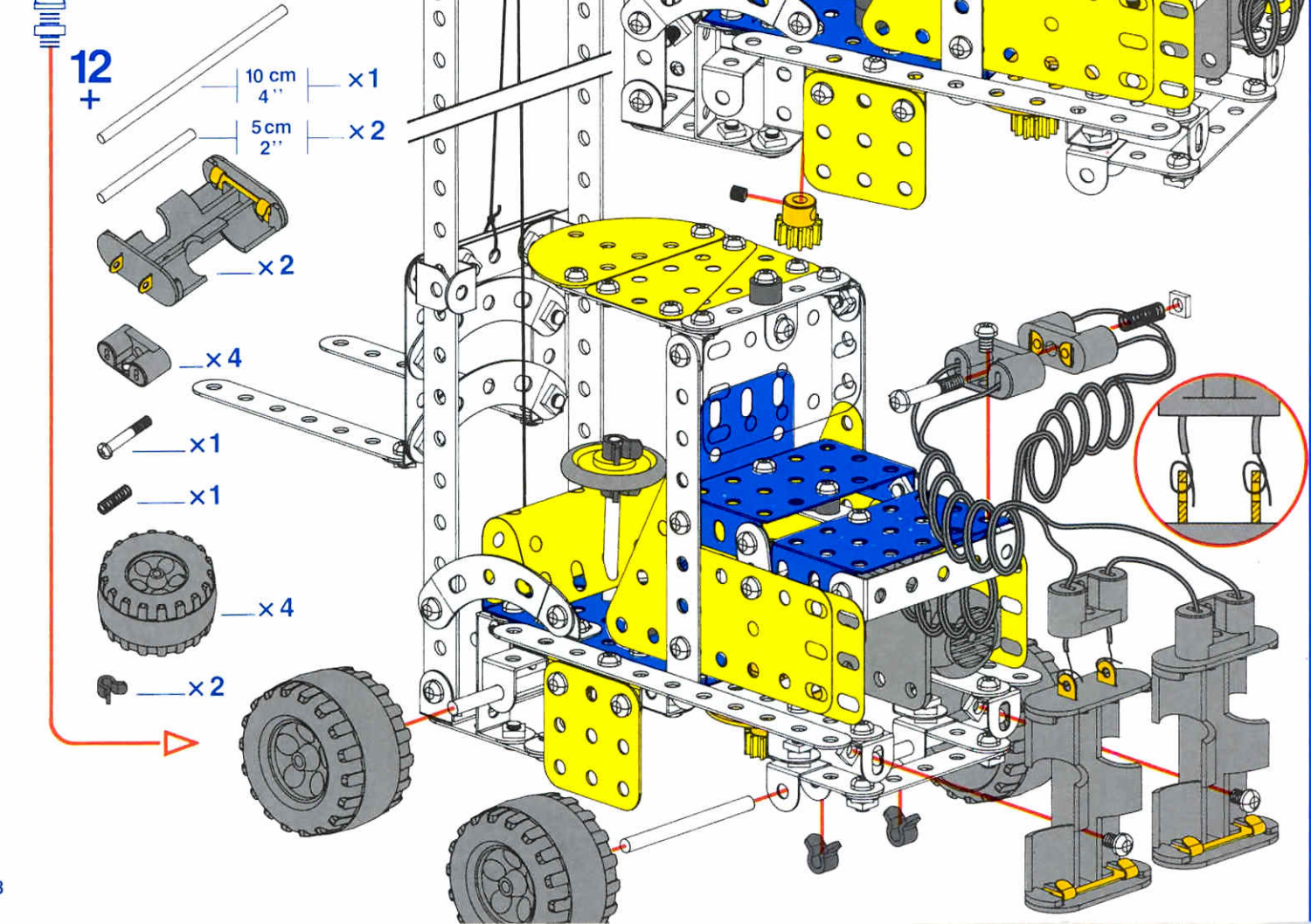
12

10 + 11 +

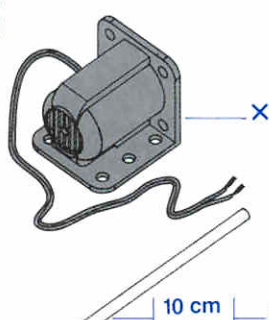


13

12 +

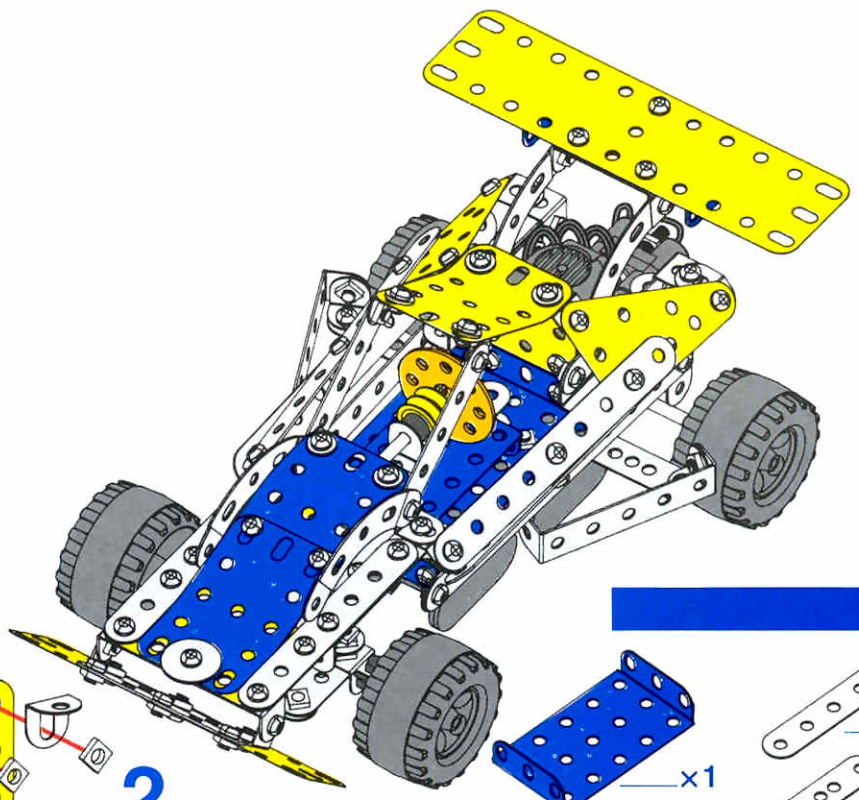
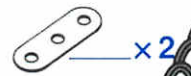
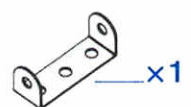
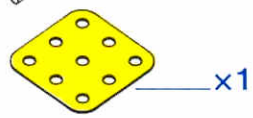


1



- x2
- x2
- x1
- x1
- x2
- x2
- x1

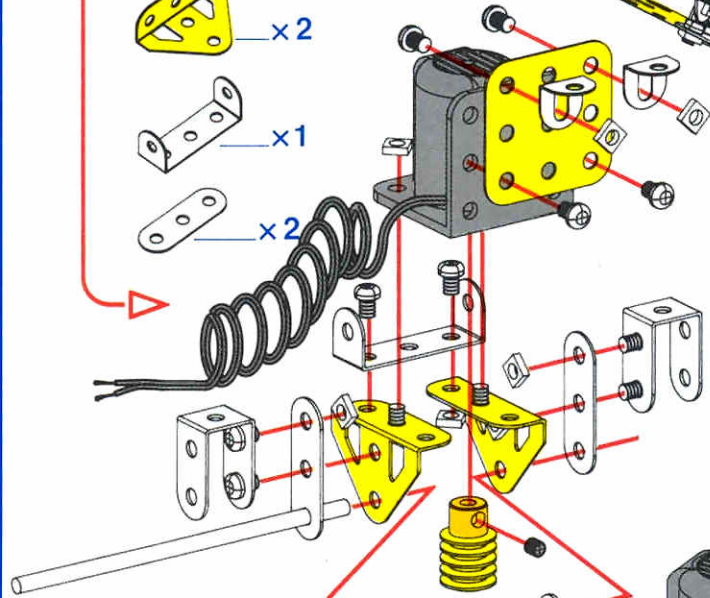
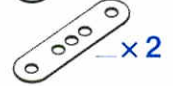
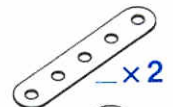
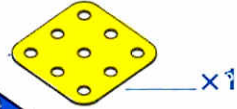
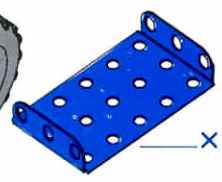
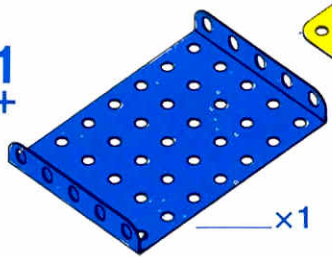
10 cm
4" x1



2



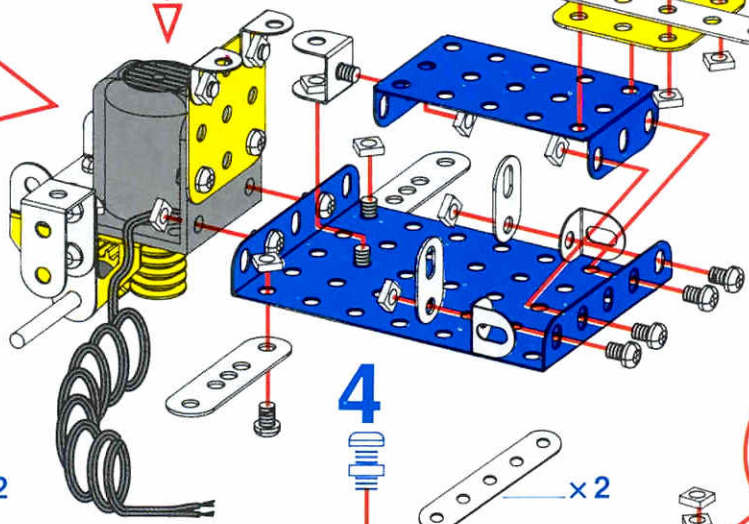
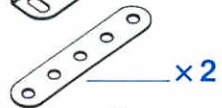
1 +



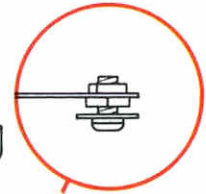
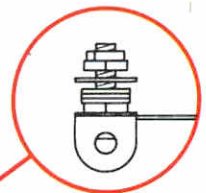
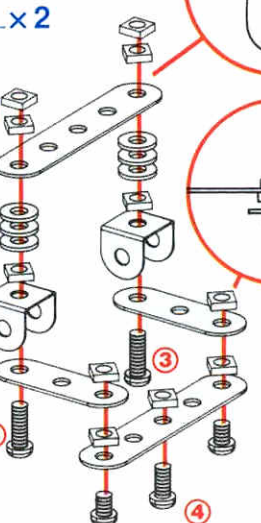
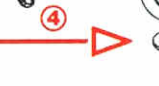
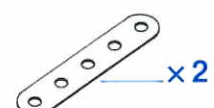
3



2 +



4



5

3
+
4
+

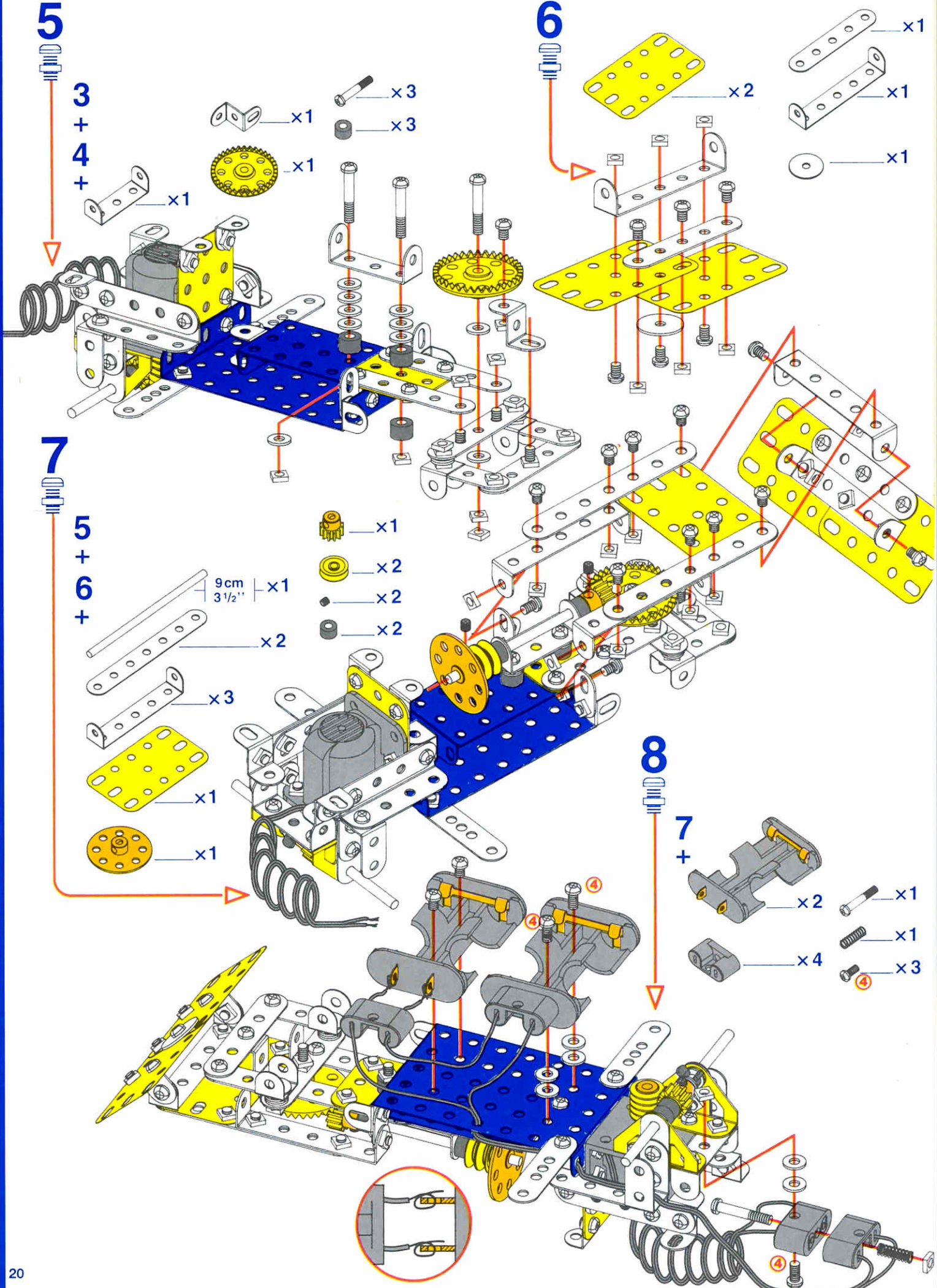
6

7

5
+
6
+

8

7
+



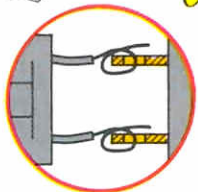
- x1
- x3
- x3
- x1
- x1

- x1
- x1
- x1

- x1
- x2
- x2
- x2

- x1
- x2
- x3
- x1
- x1

- x2
- x1
- x1
- x3
- x4



9

10

11

12

13

x2
x2
x1

x2
x2
x2

x1
x1

x2
x1

+8
+9
+10

x2

x1
x2
x2
x1

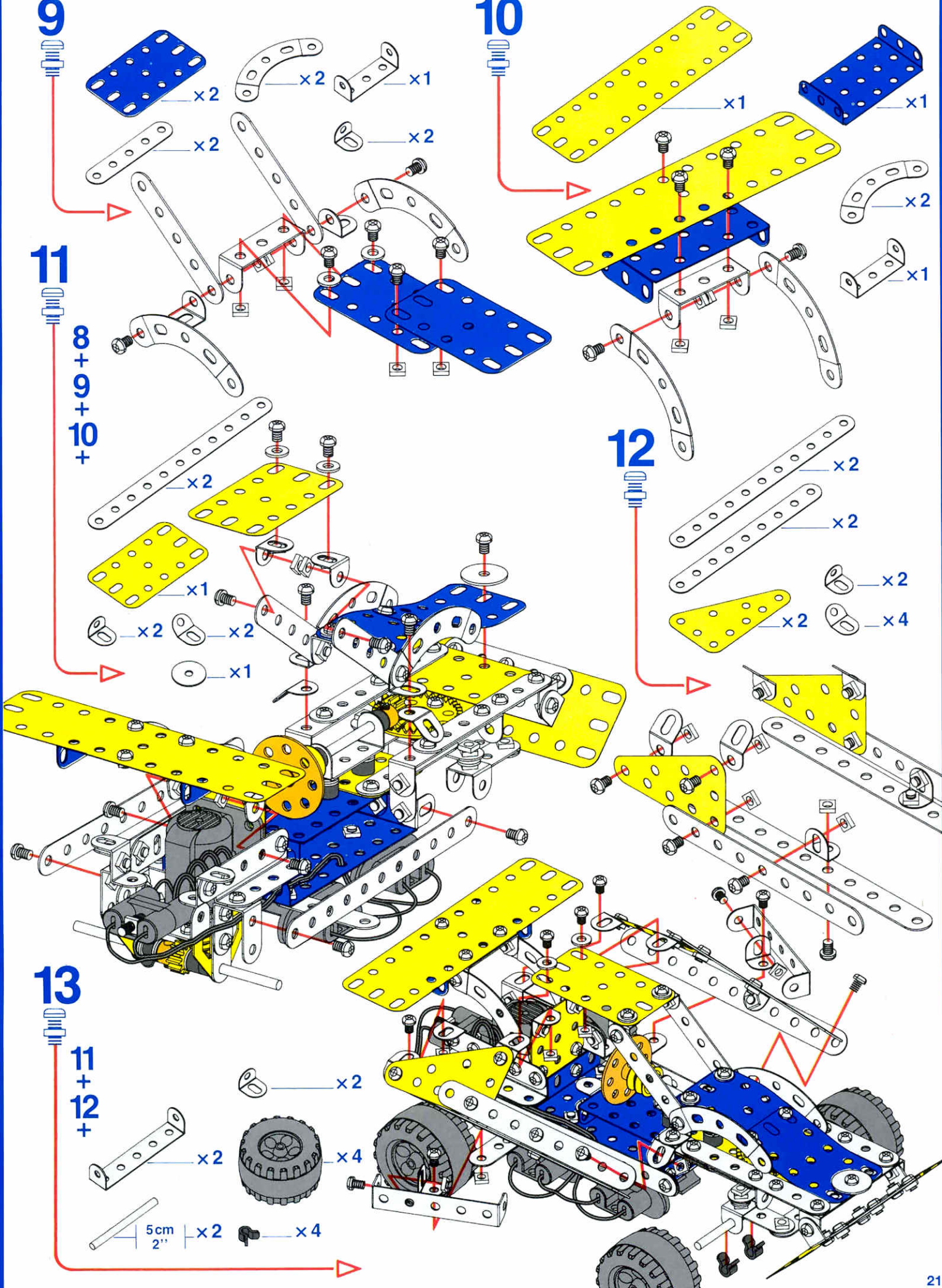
x2
x2

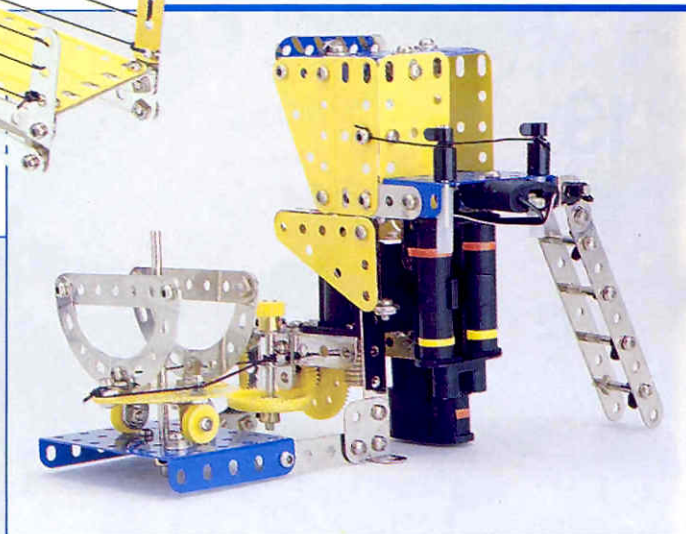
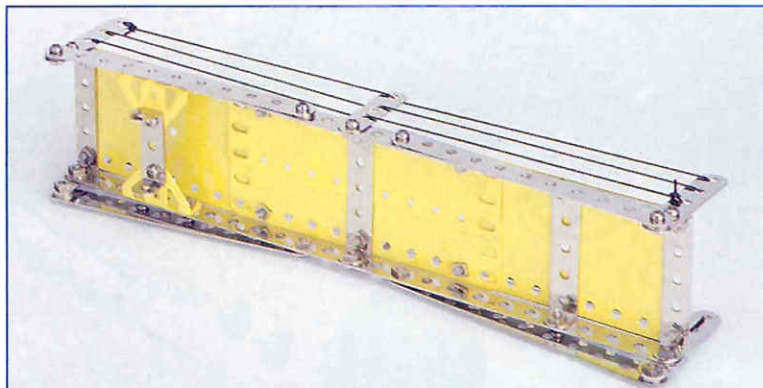
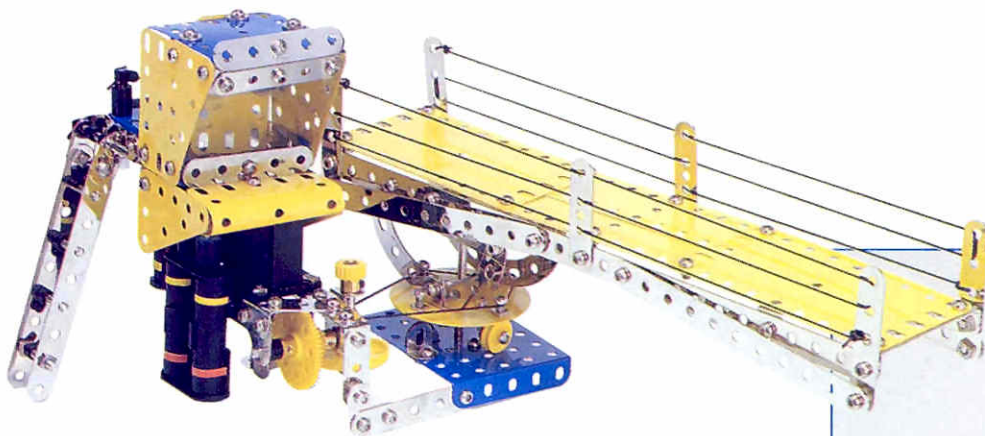
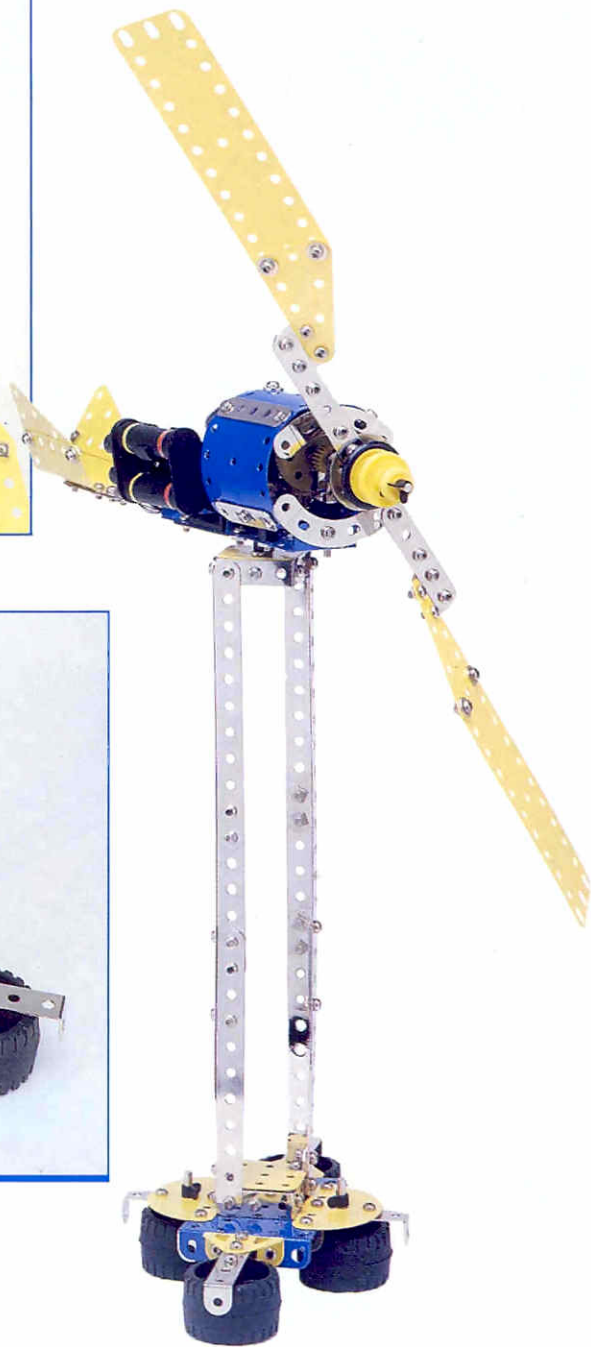
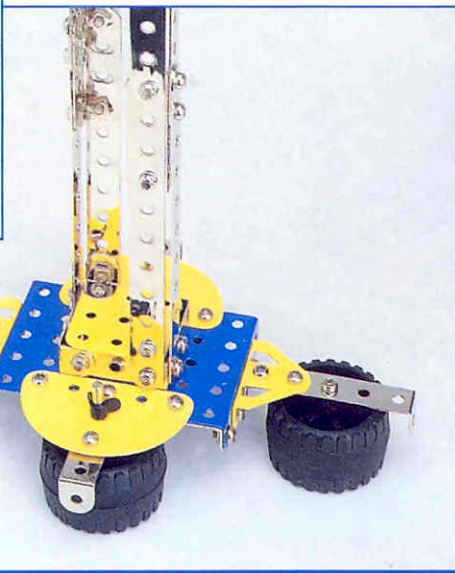
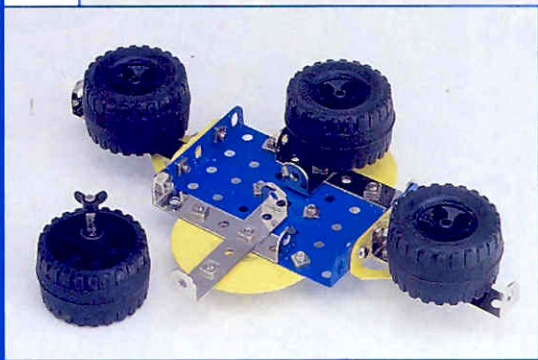
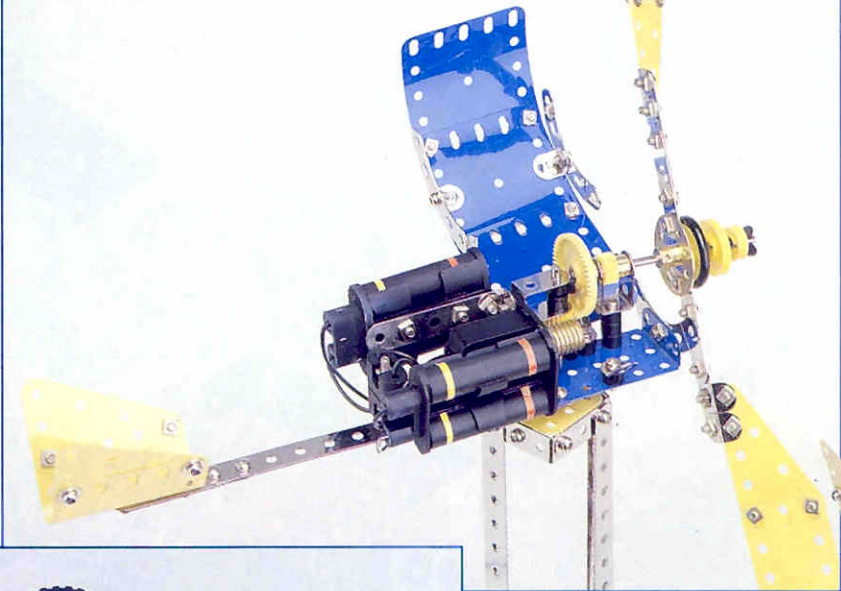
x2
x2
x4

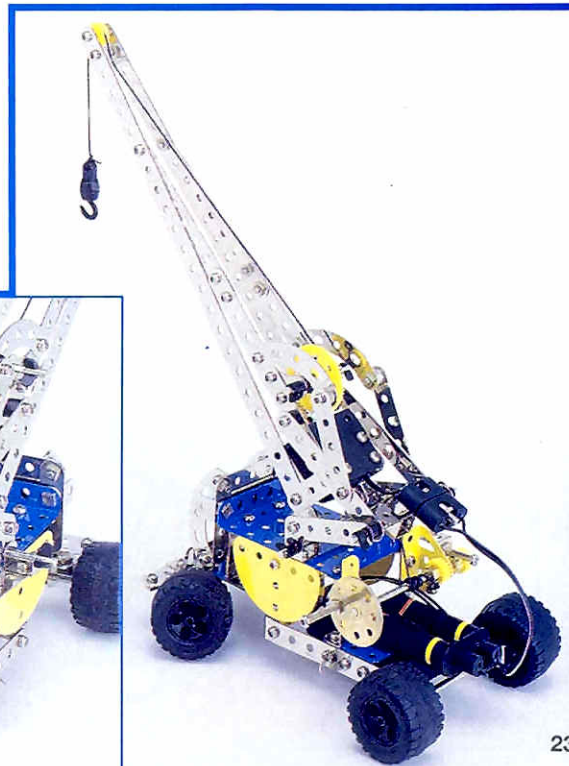
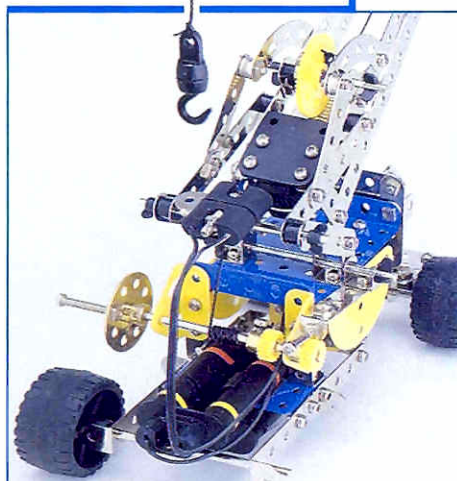
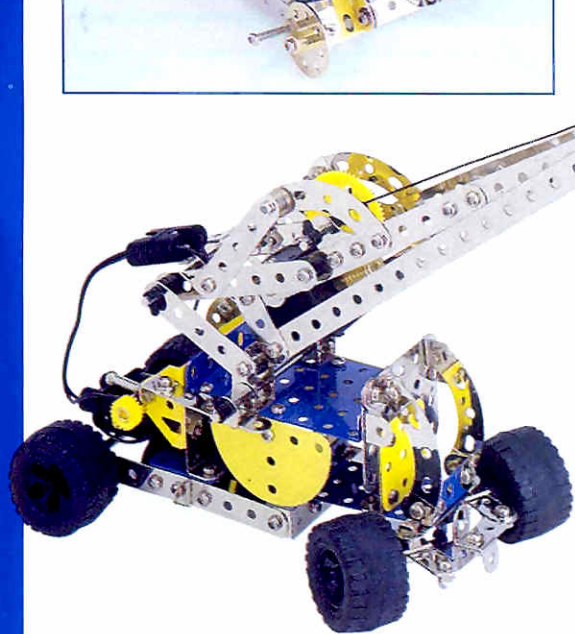
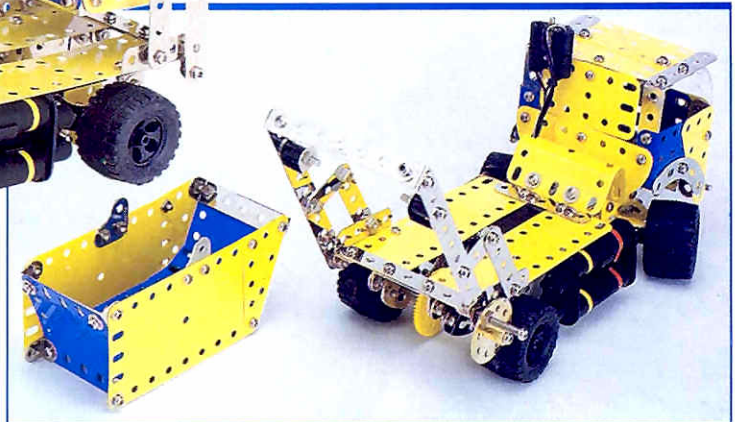
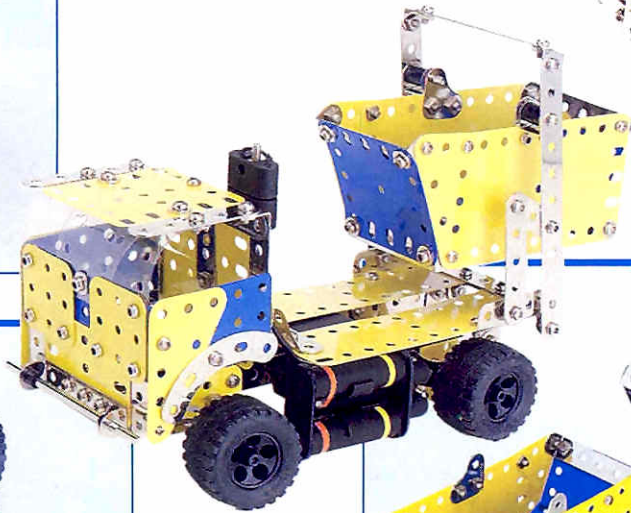
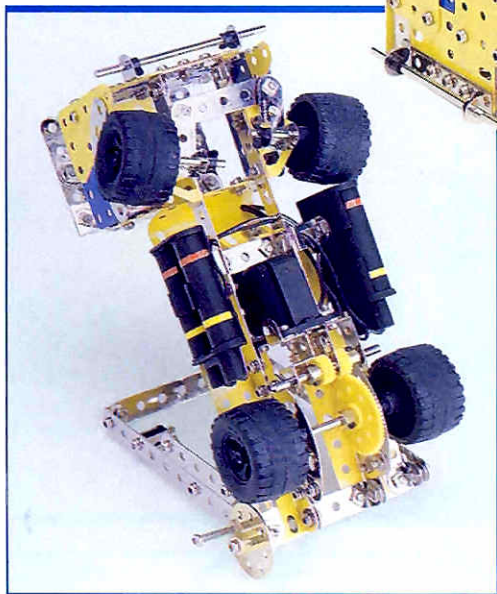
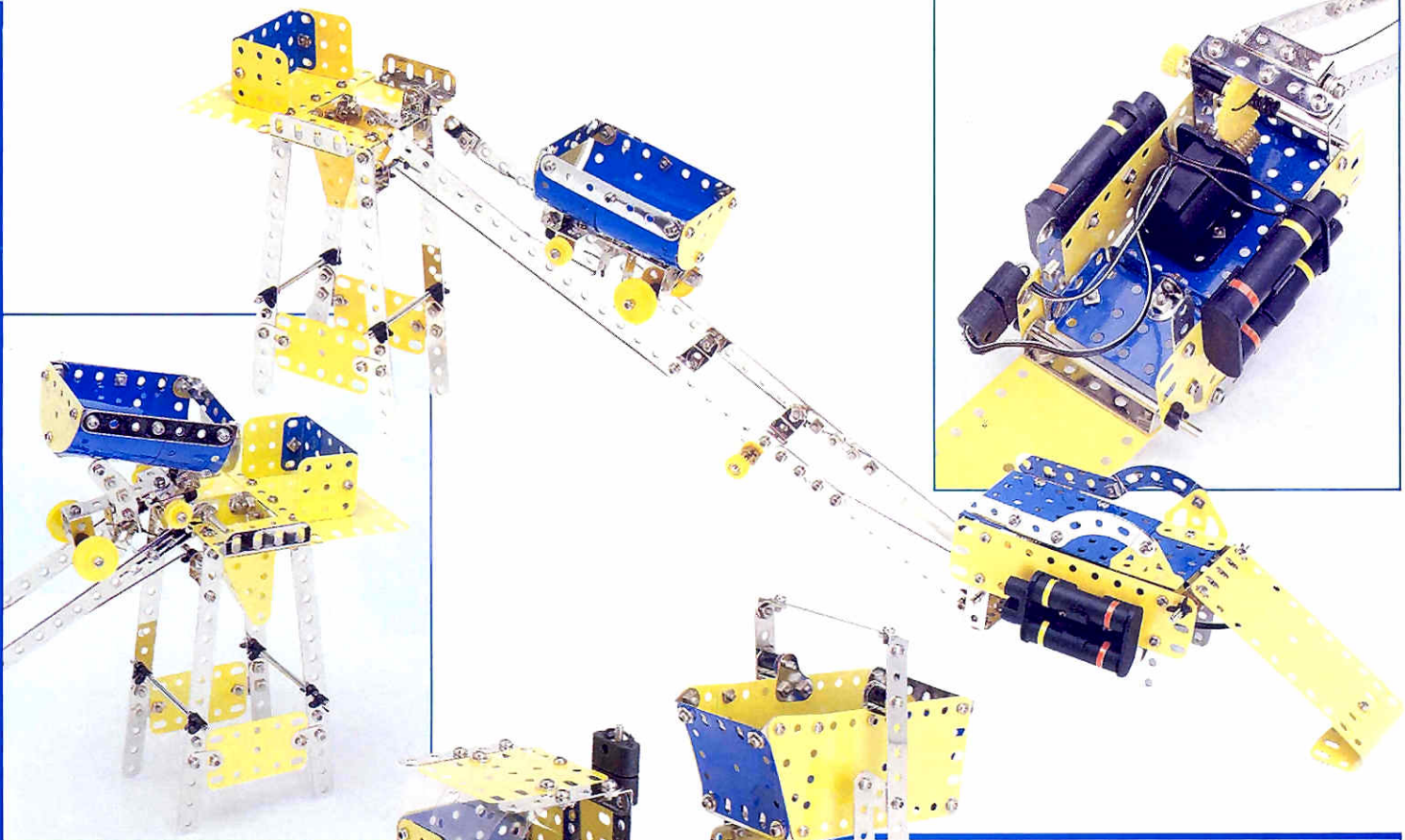
+11
+12
+

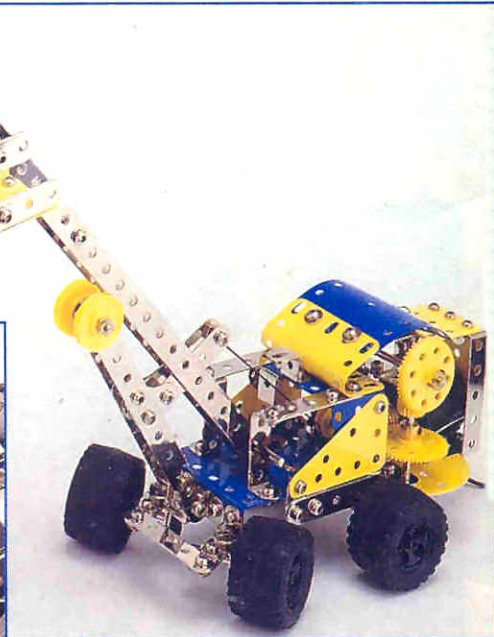
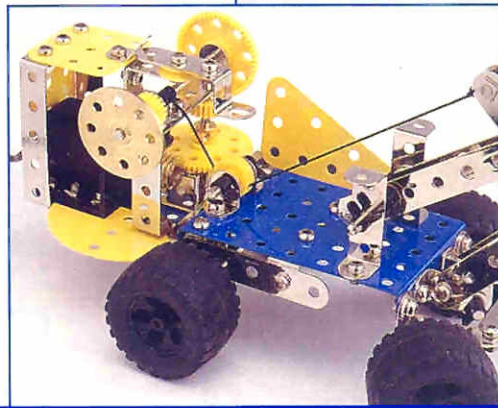
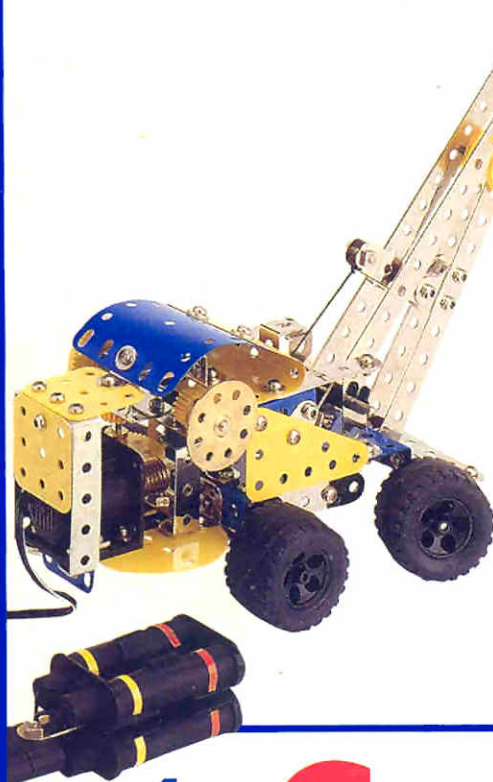
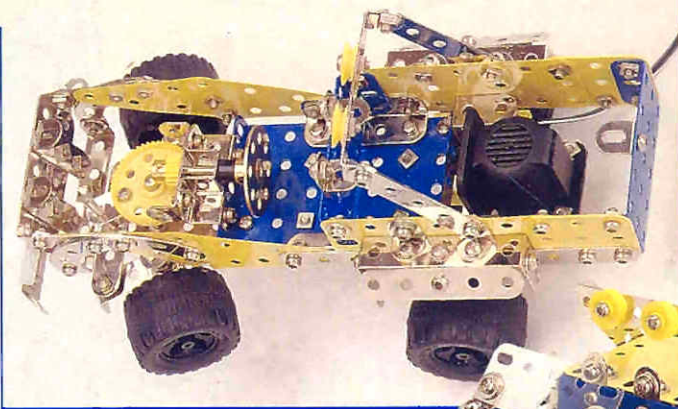
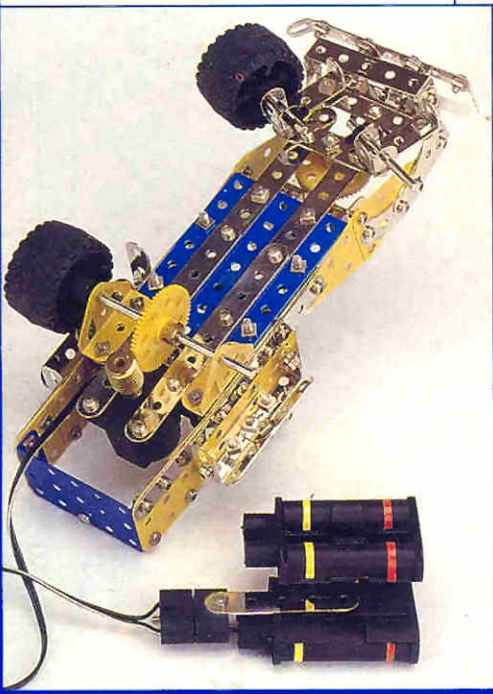
x2
x4

5cm
2" x2
x4









n°4 + C4 = n°5

