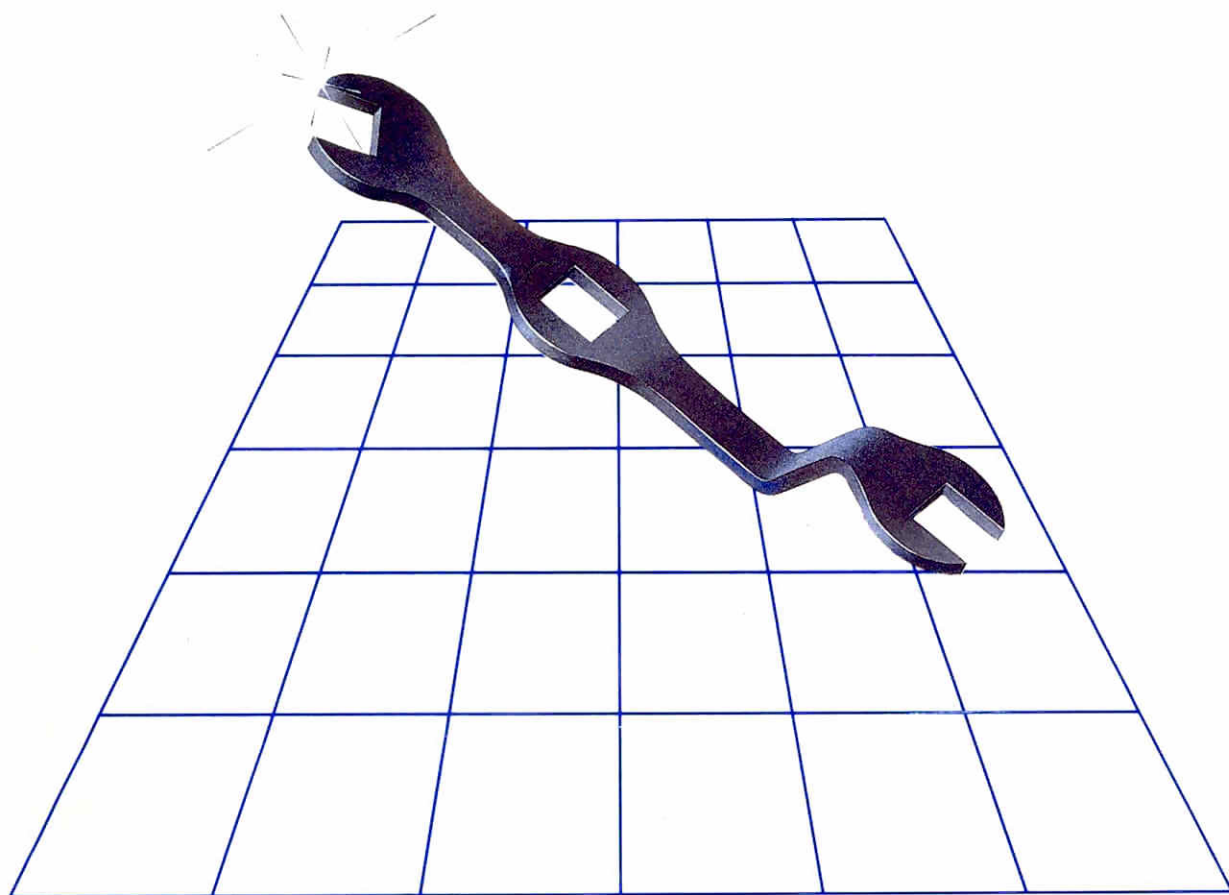
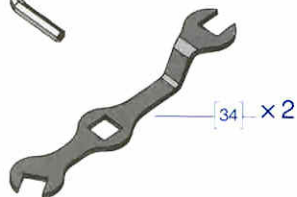
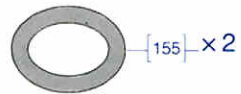
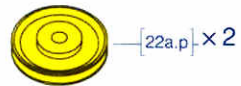
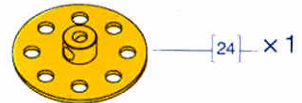
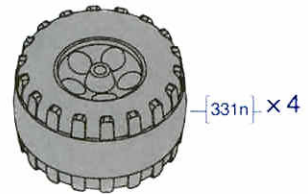
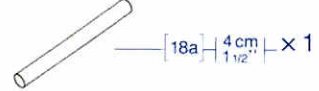
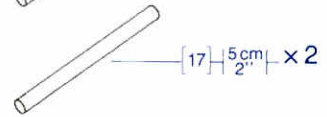
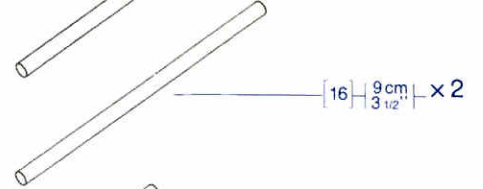
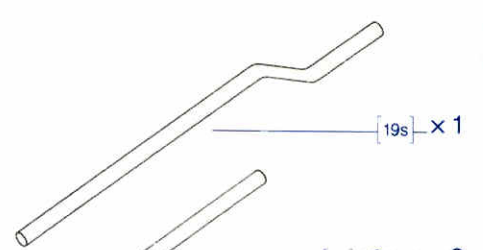
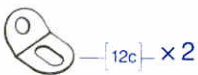
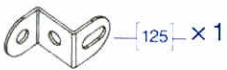
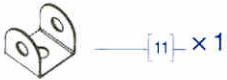
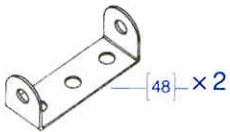
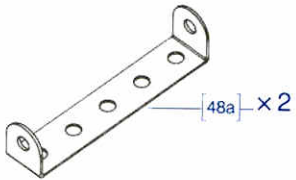
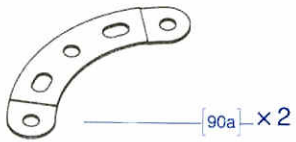
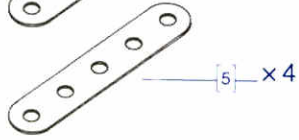
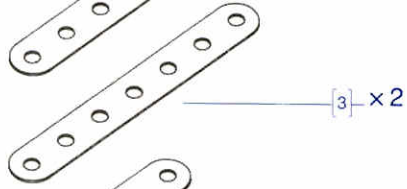
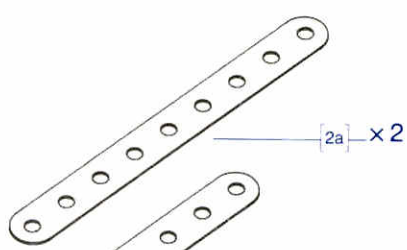
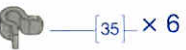
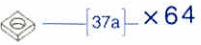
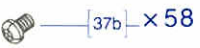
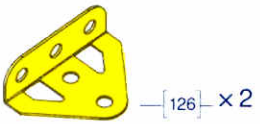
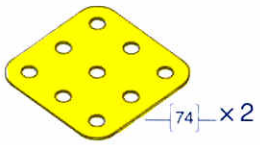
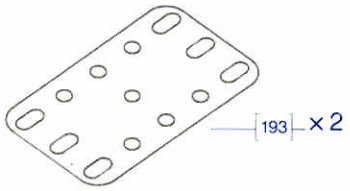
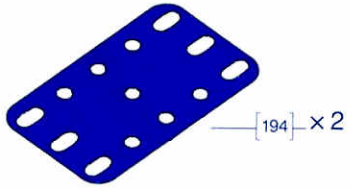
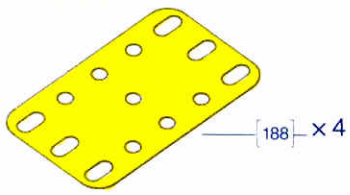


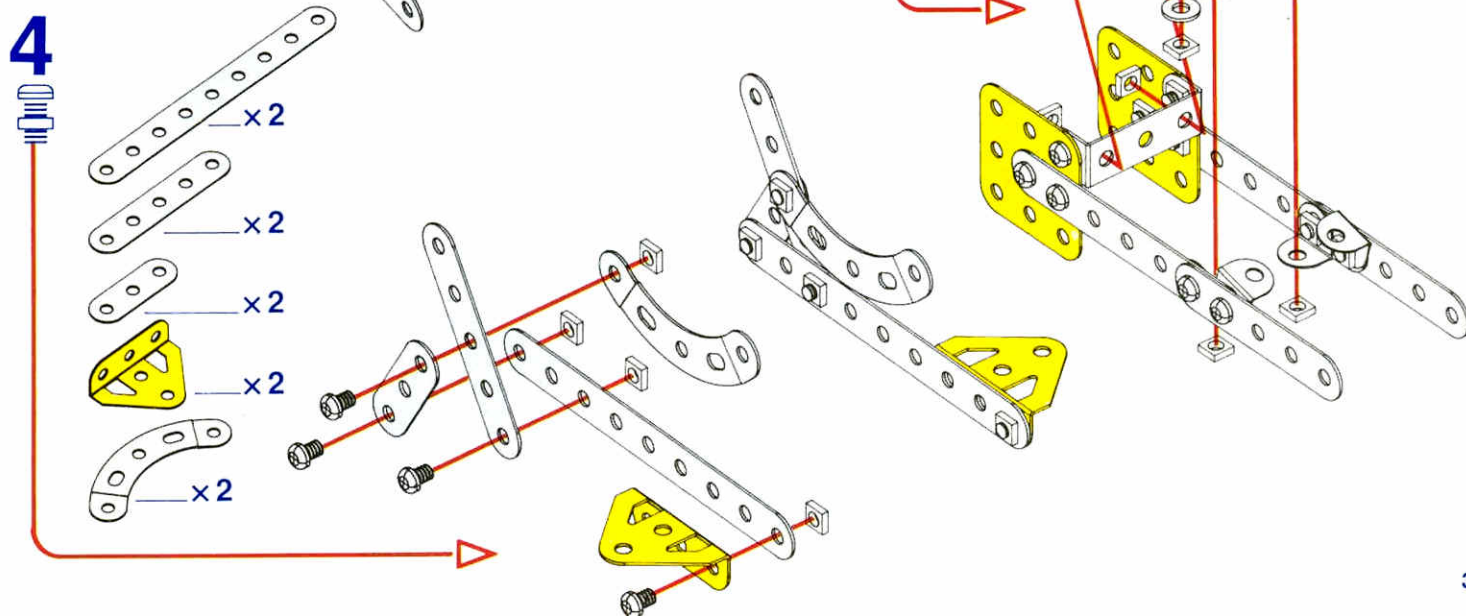
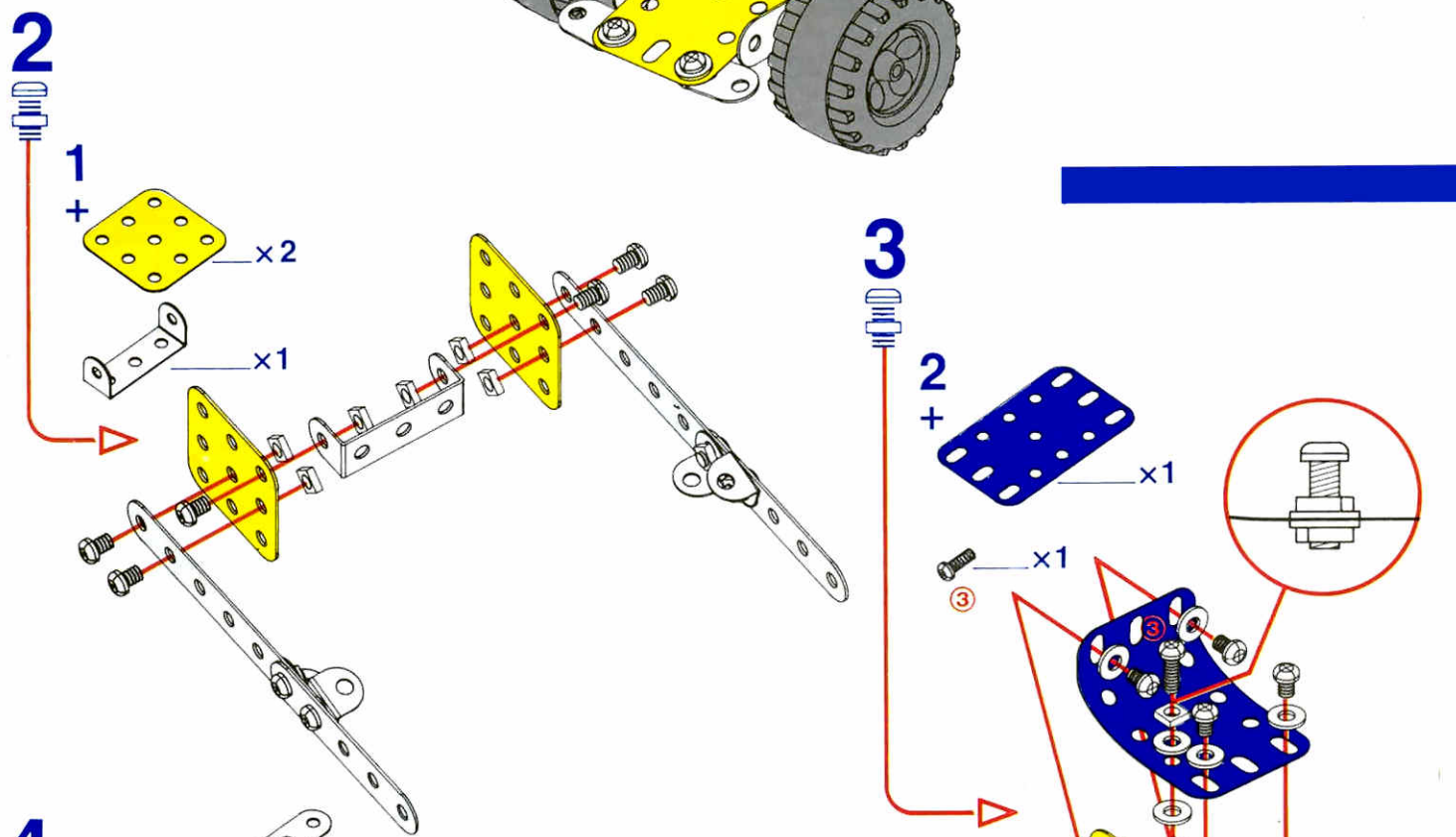
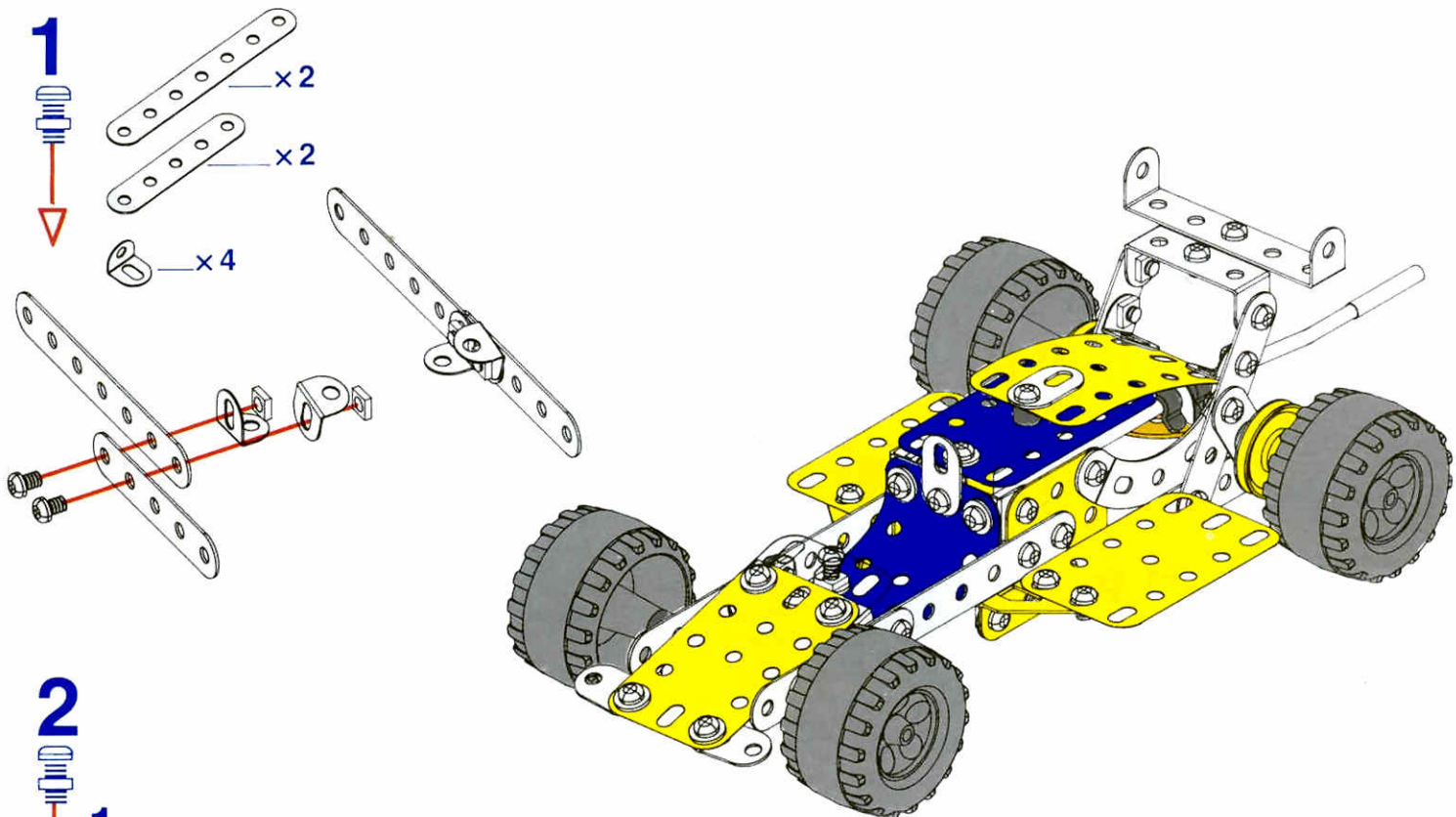
MECCANO®



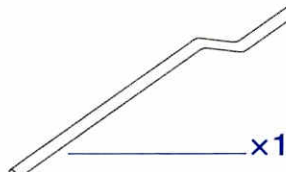

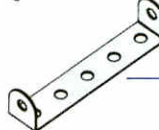




NOTICE
BOOKLET
INSTRUCCIONES
ANLEITUNG
BESCHRIJVINGEN
ISTRUZIONI

1

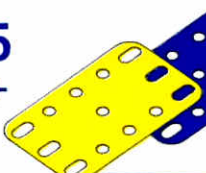










5

-  x1
-  x1
-  x1
-  x1
-  x1
-  x1
-  x3

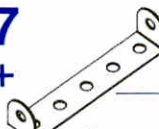



6

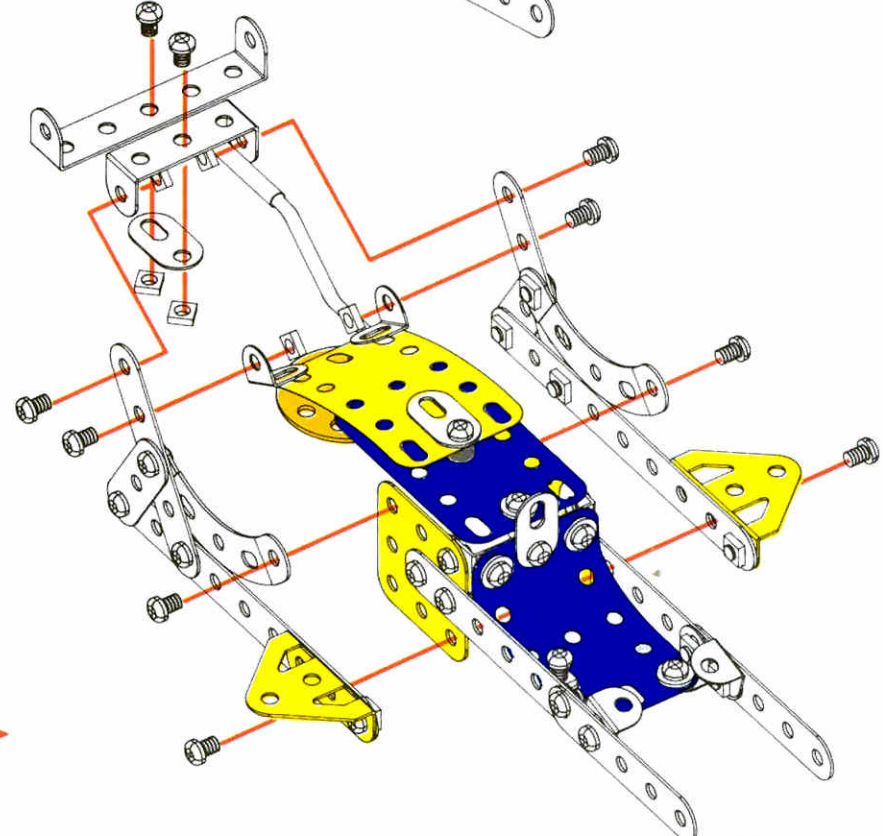
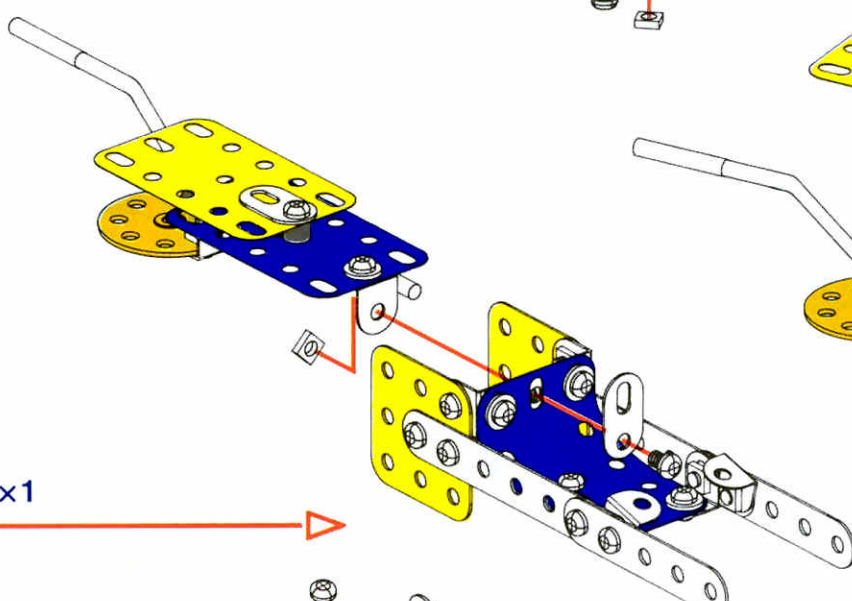
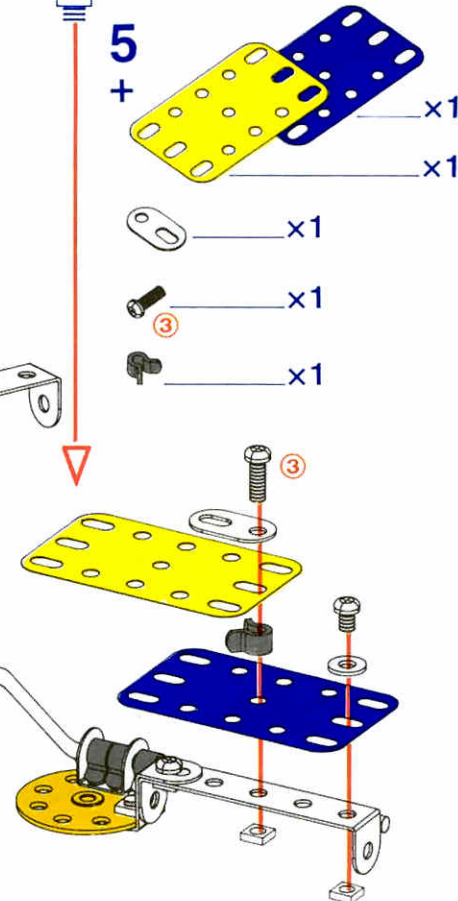
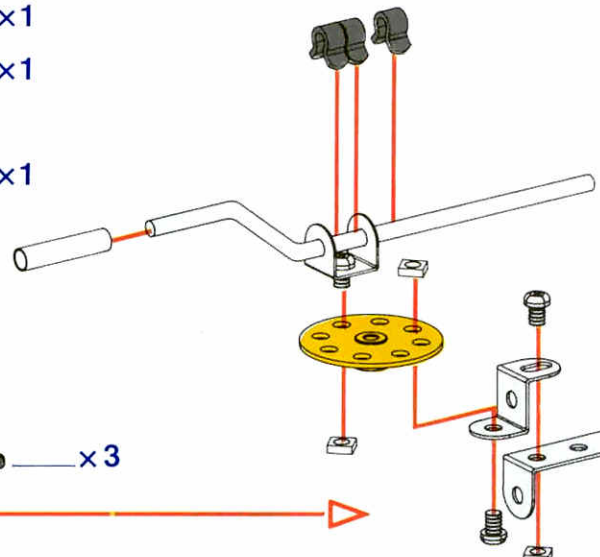
- 5** +  x1
-  x1
-  x1
-  x1
-  x1
-  x1

7

- 3** + **6** +  x1

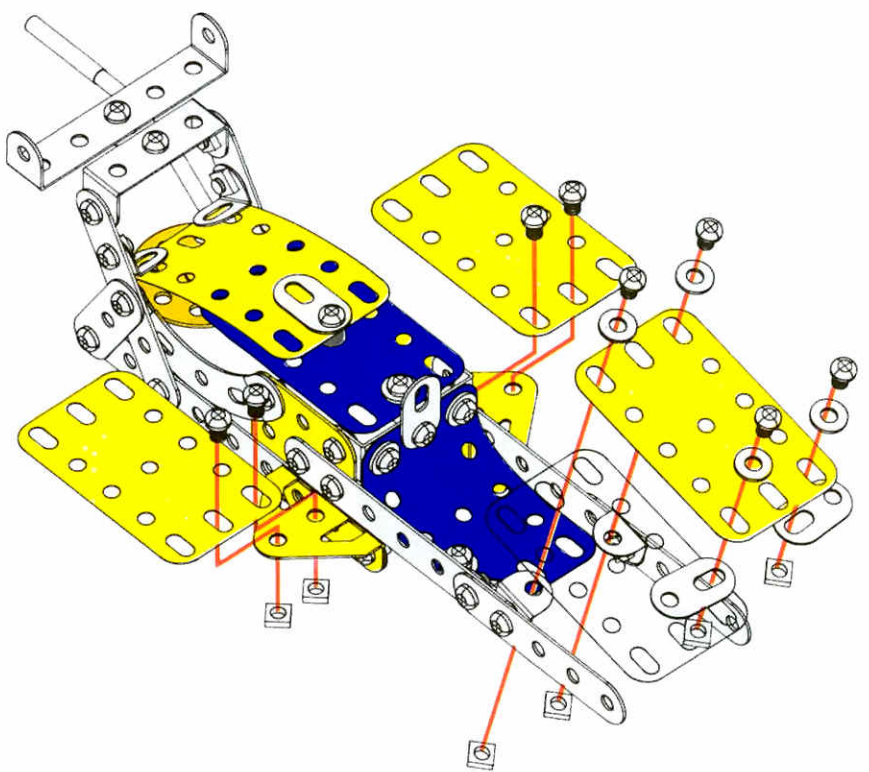
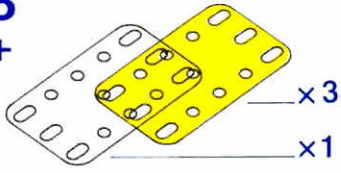
8

- 4** + **7** +  x1
-  x1
-  x1
-  x2



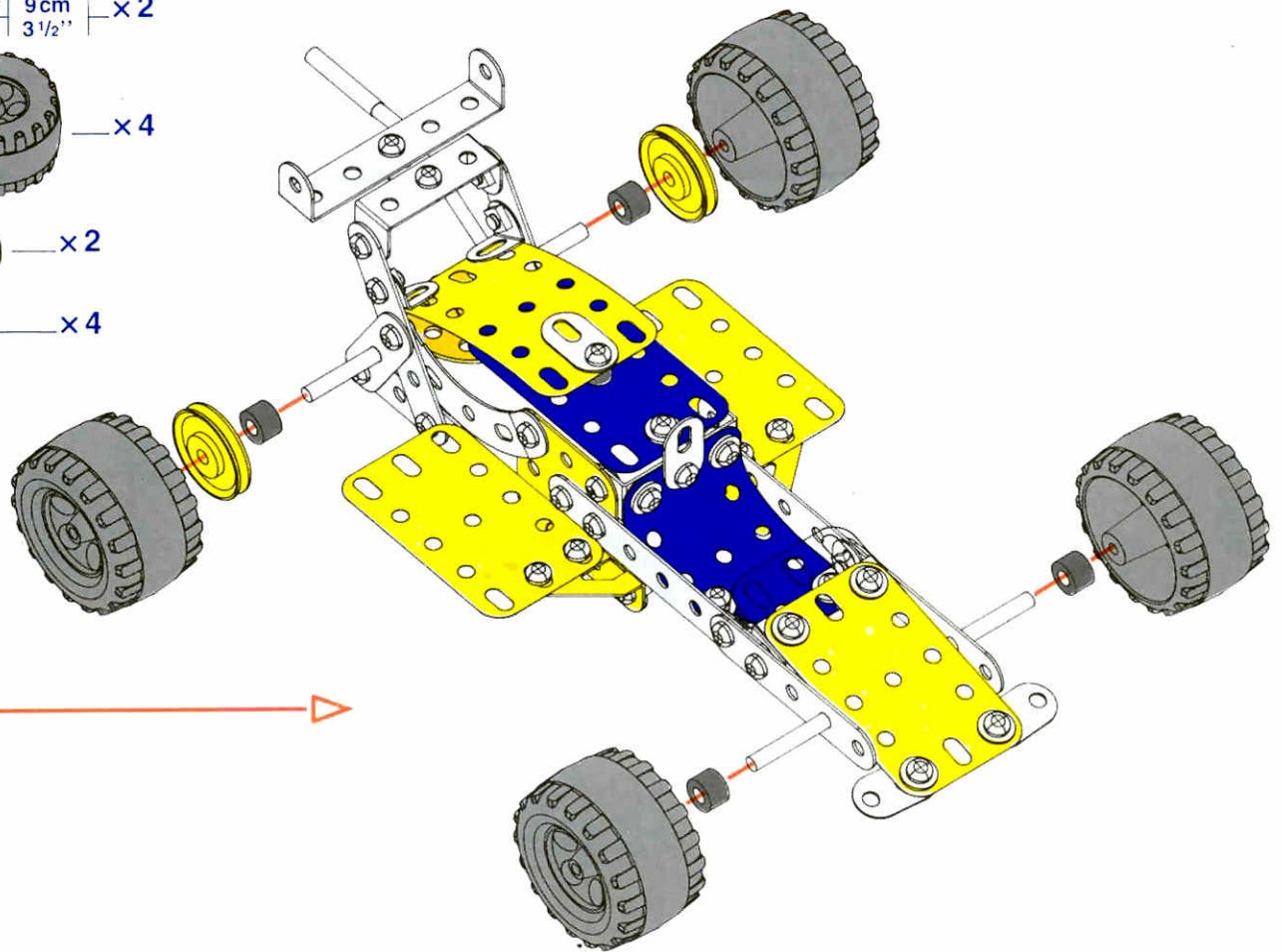
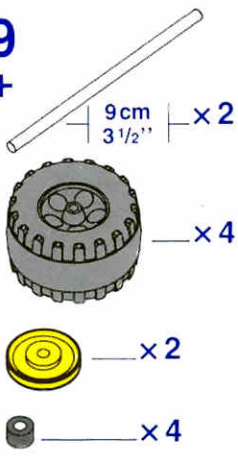
9

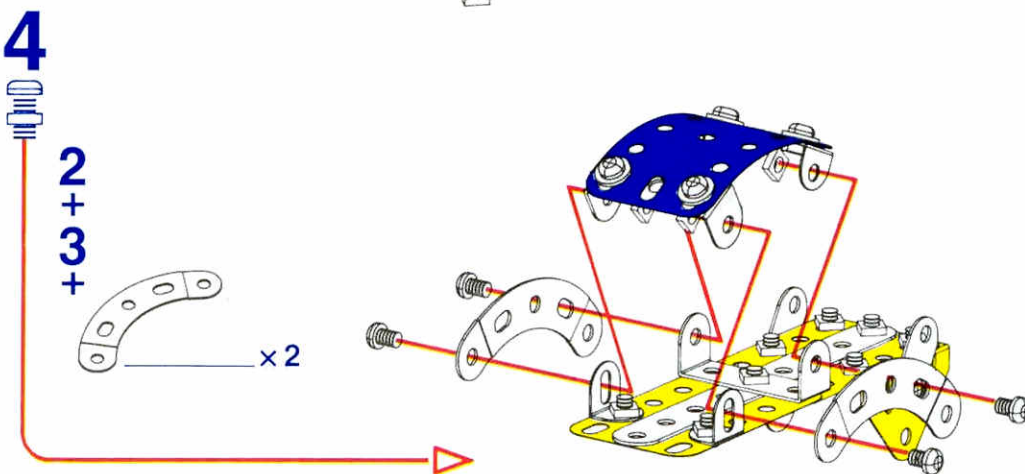
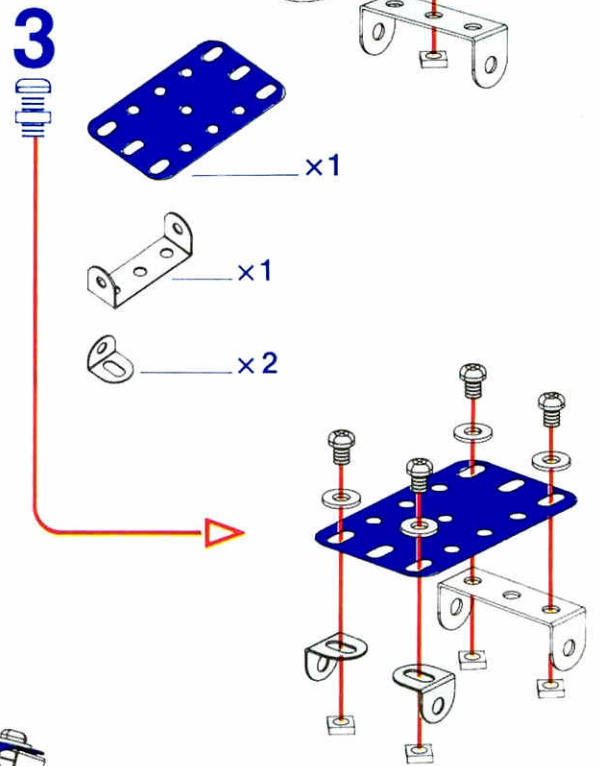
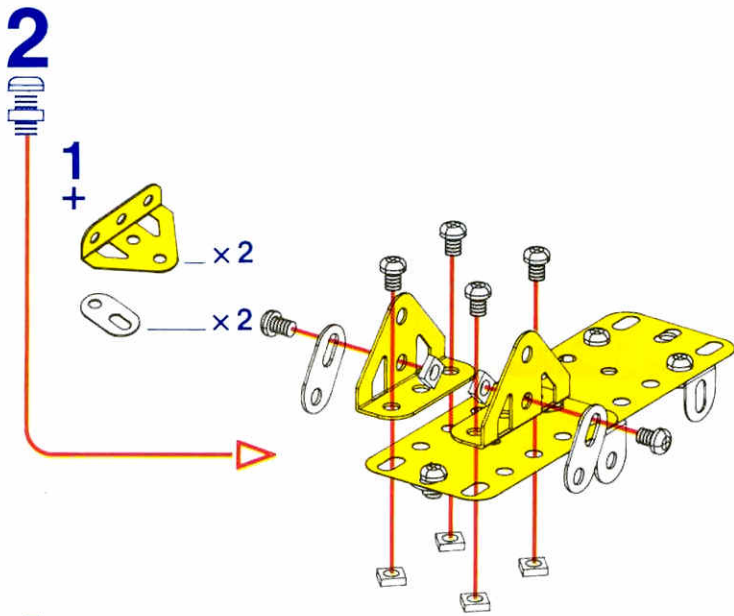
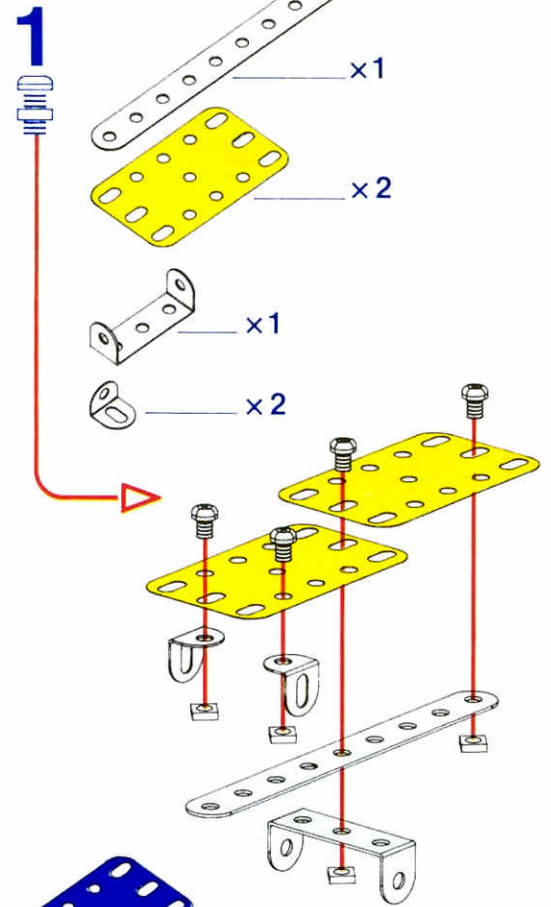
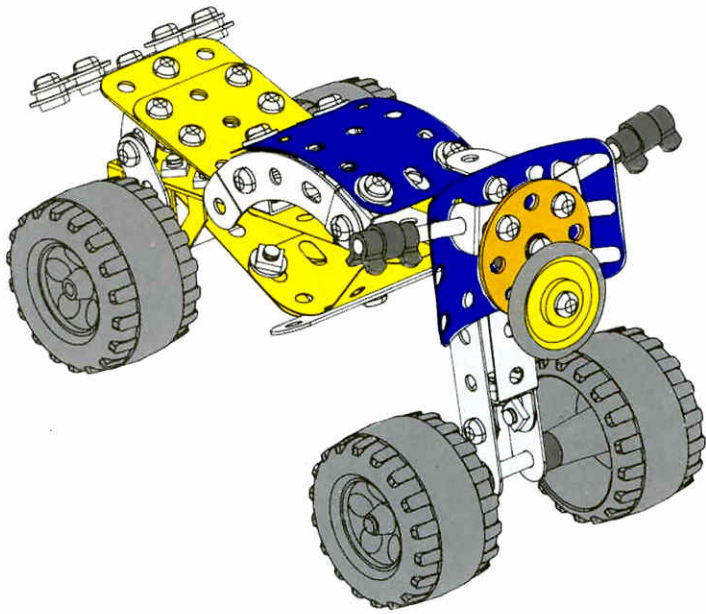
+ 8

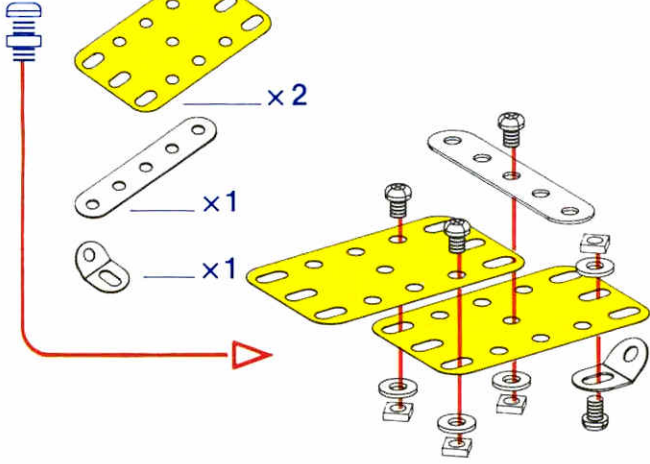
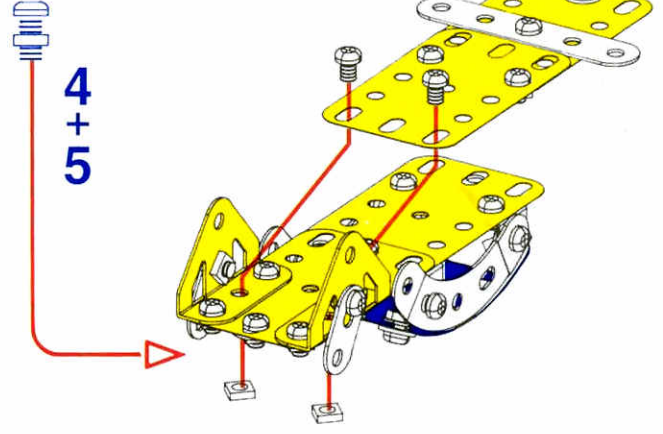
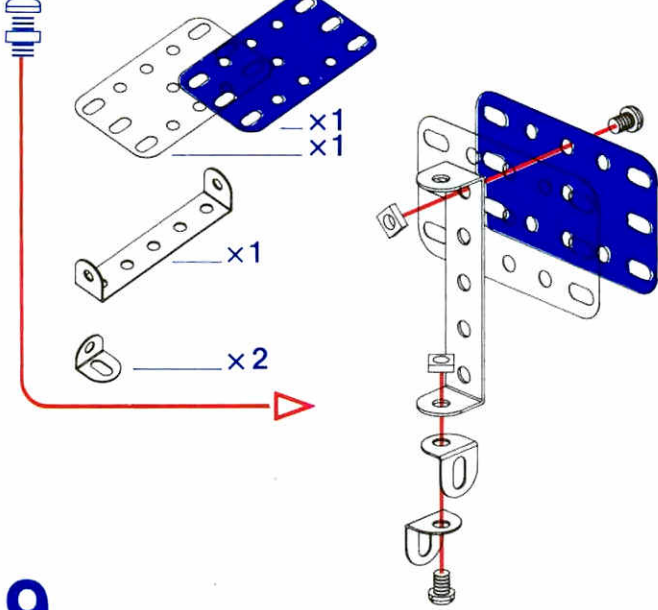
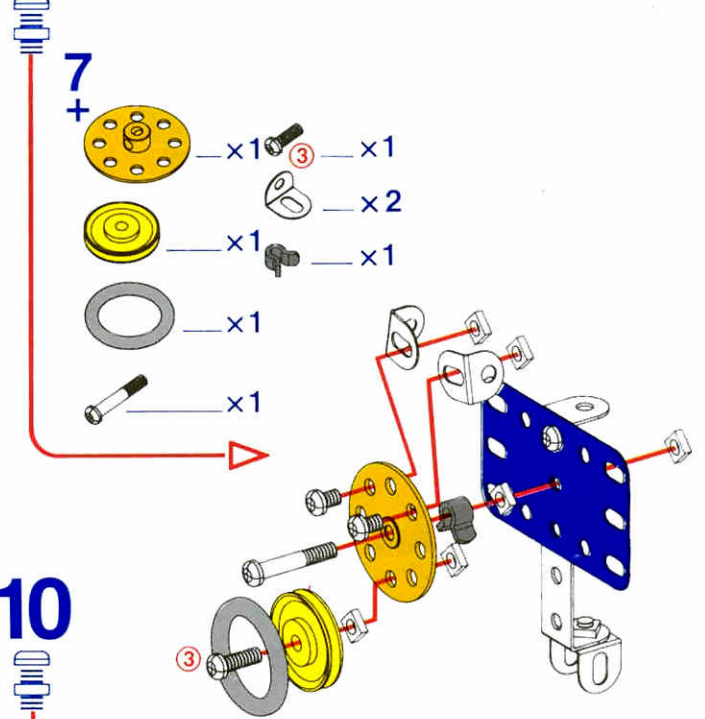
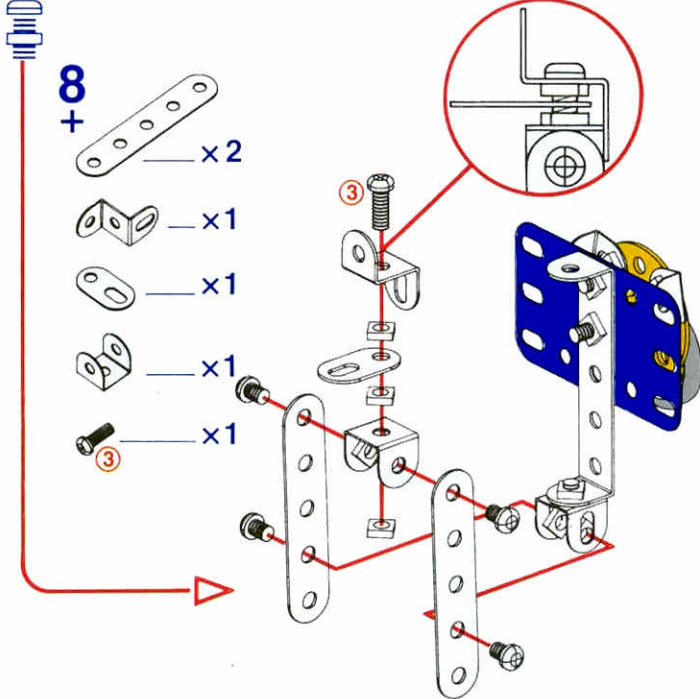
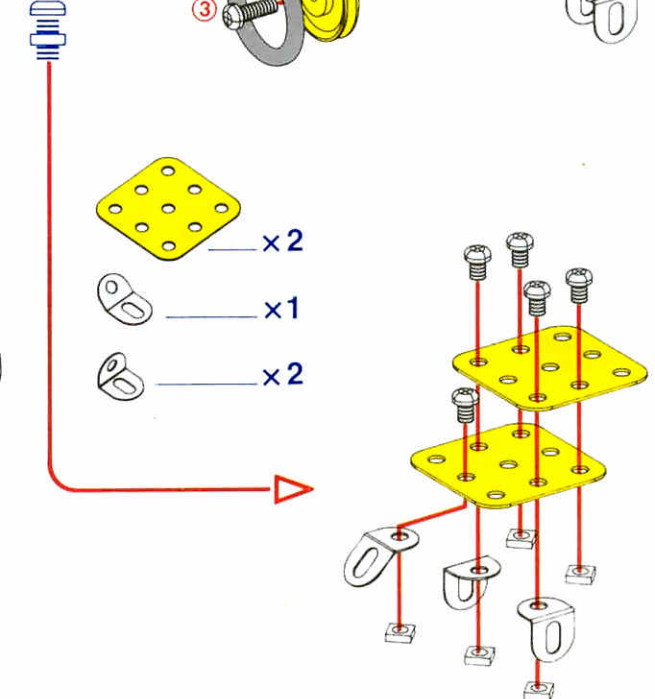


10

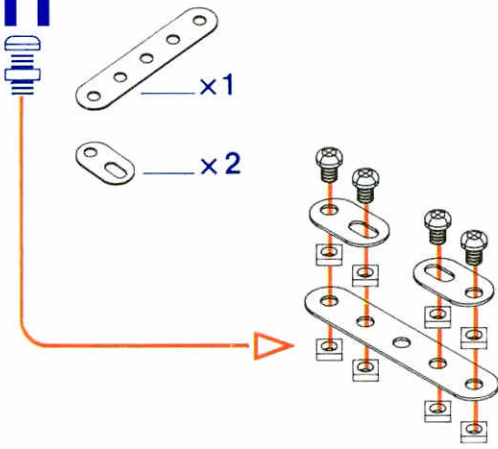
+ 9



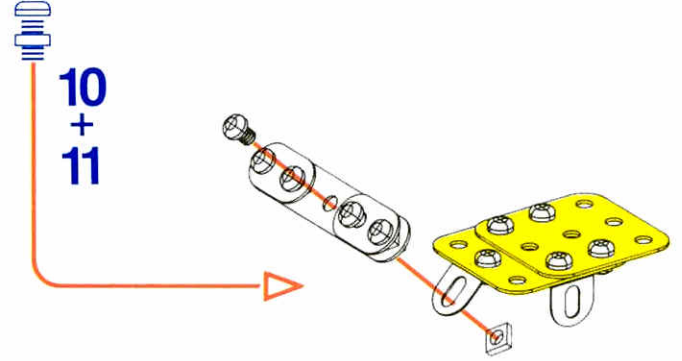


5**6****7****8****9****10**

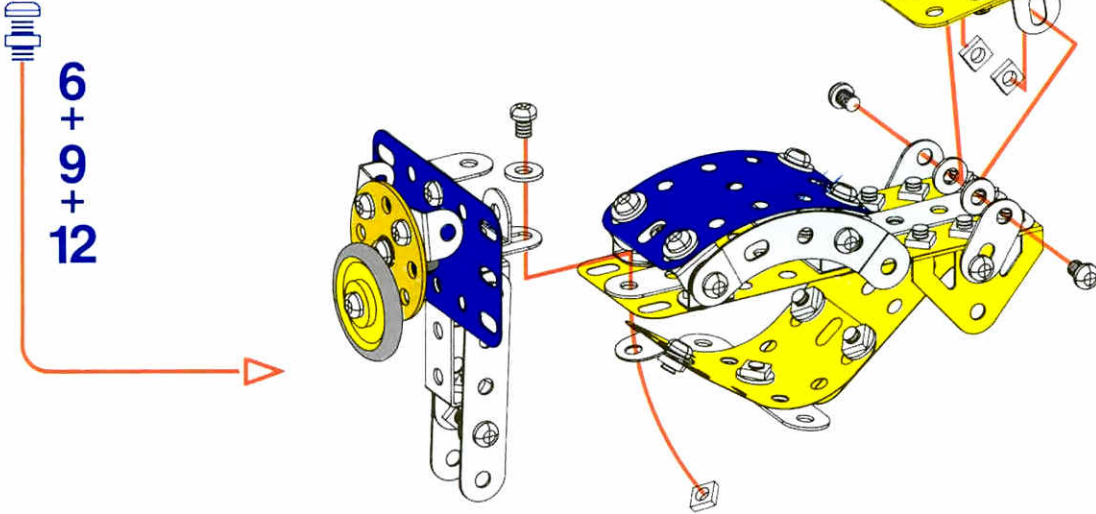
11



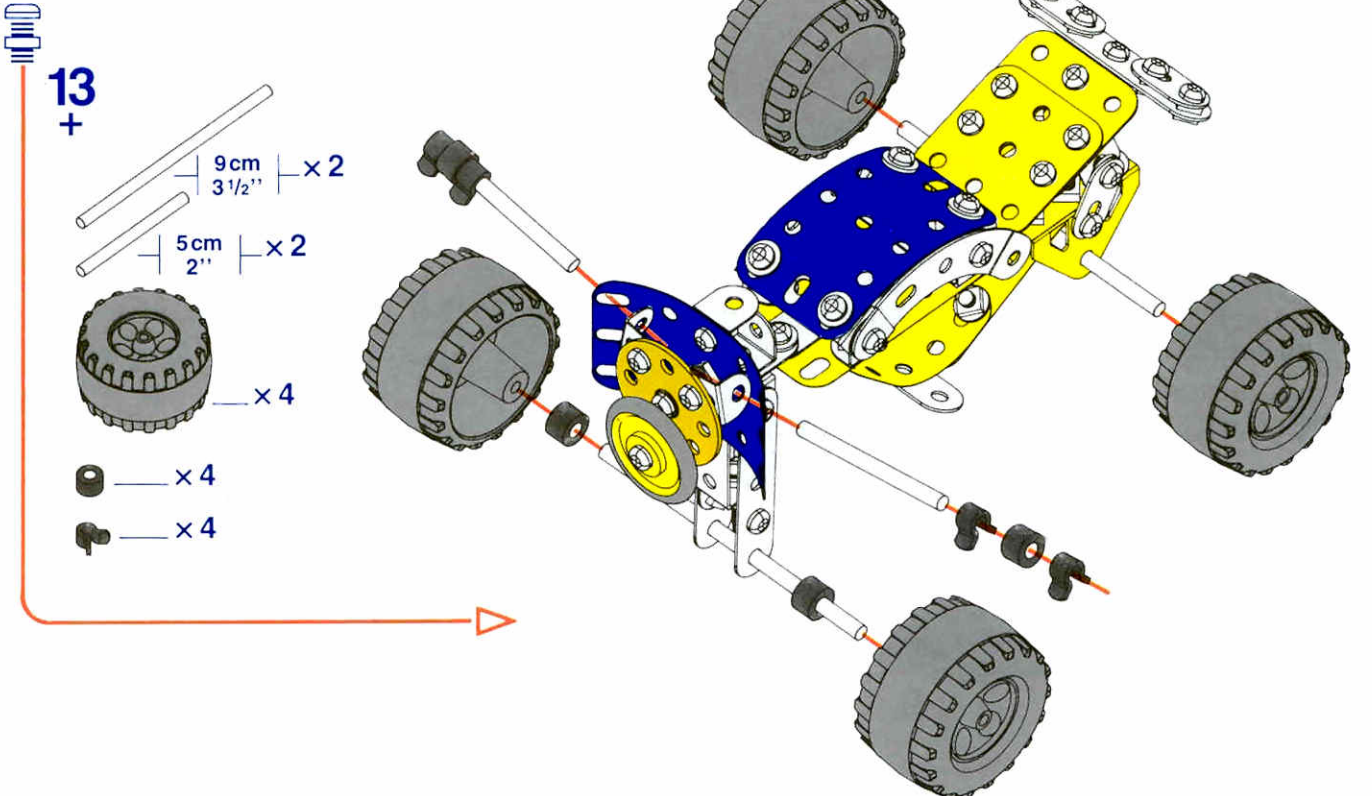
12



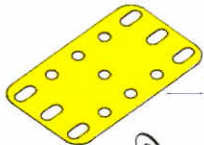





13

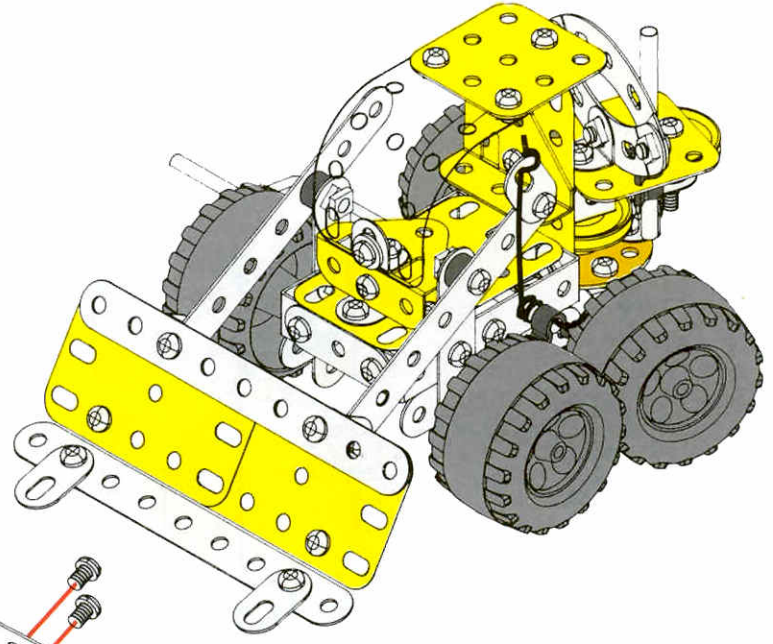
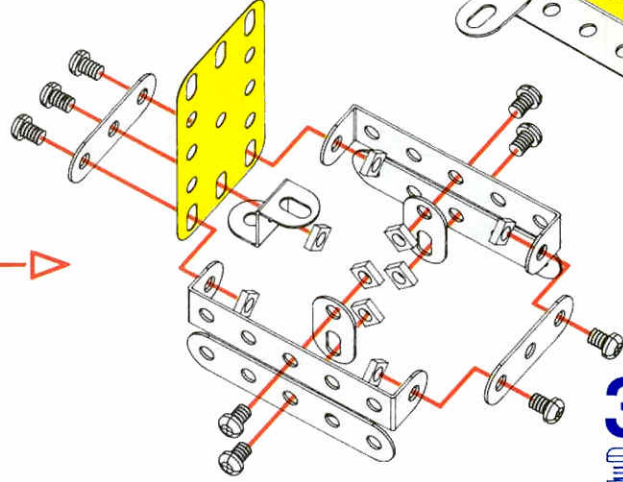


14






1

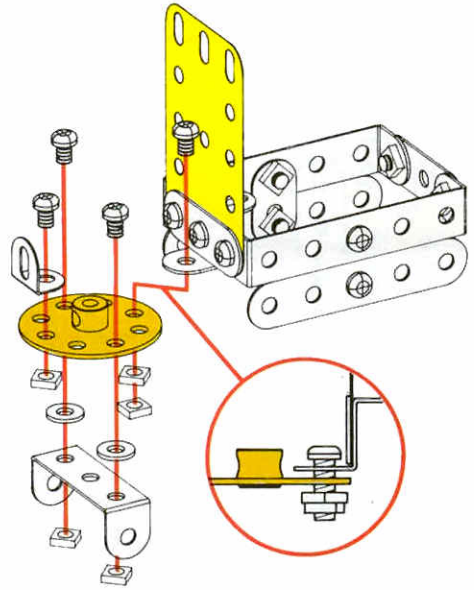
-  x1
-  x2
-  x2
-  x2
-  x1
-  x2



2

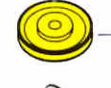



1 +

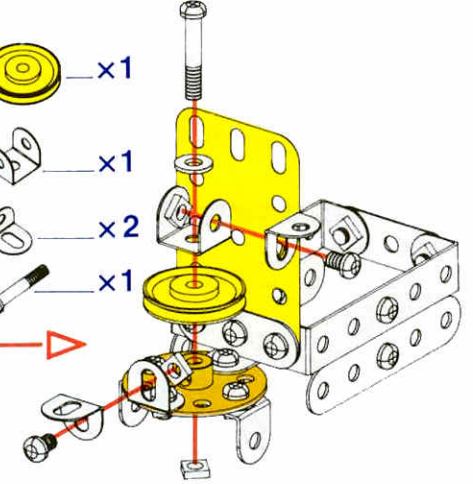
-  x1
-  x1
-  x1










3

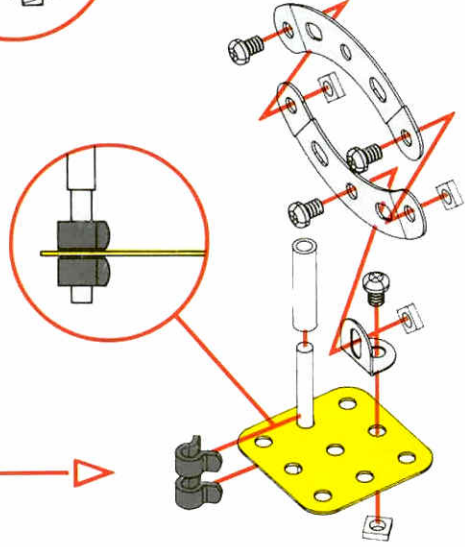
2 +

-  x1
-  x1
-  x2
-  x1





4

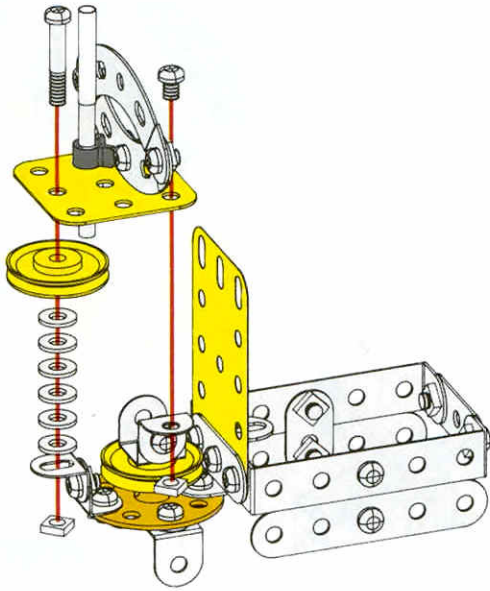
-  x1
-  x2
-  x1
-  x1
-  x2
-  5cm / 2" x1
-  x1



5

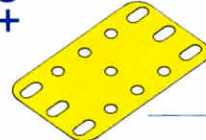
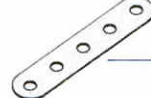

3
+
4
+

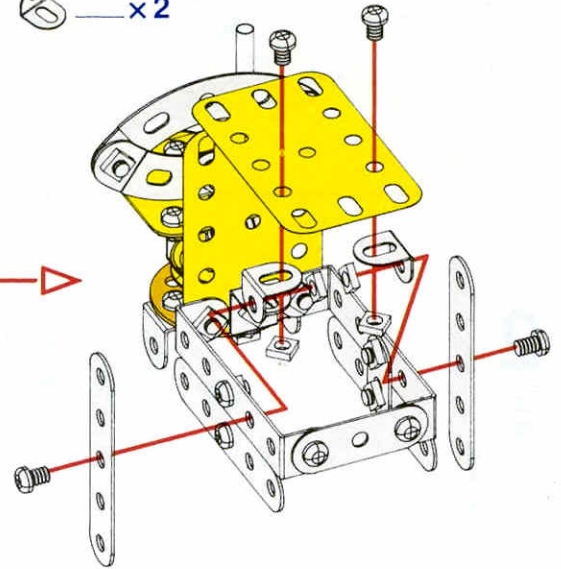
-  x1
-  x1



6


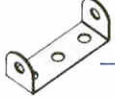
5
+

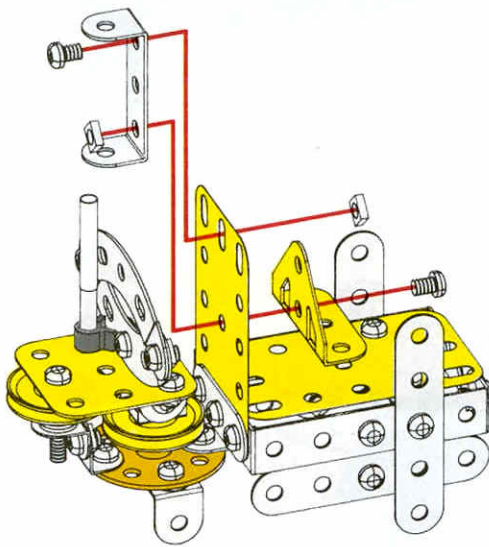
-  x1
-  x2
-  x2



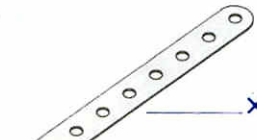
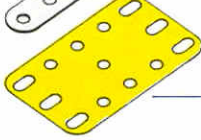



7

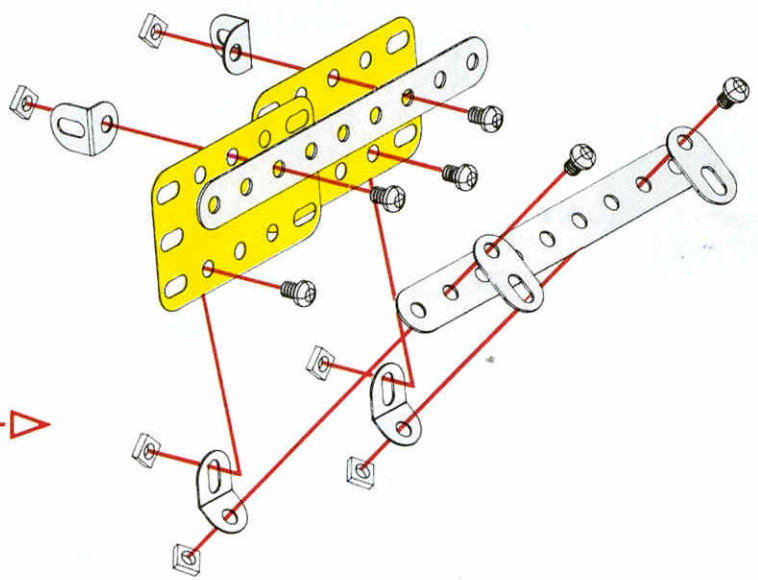
6
+

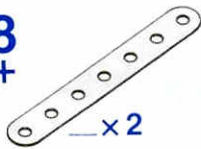
-  x1
-  x1



8

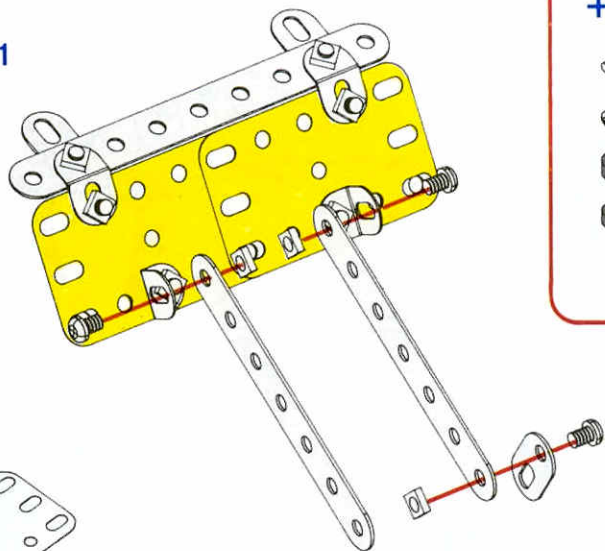
-  x2
-  x2
-  x2
-  x2
-  x2



9**8**

-x2

-x1

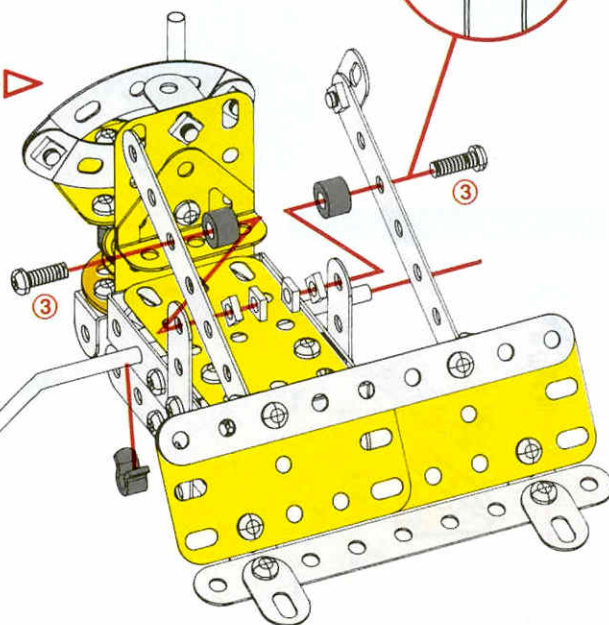
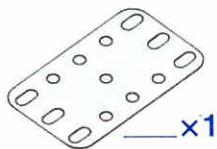
**10****7**
9

-x1

-x2

-x2

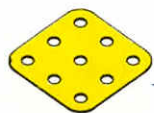
-x1

**11**

-x1



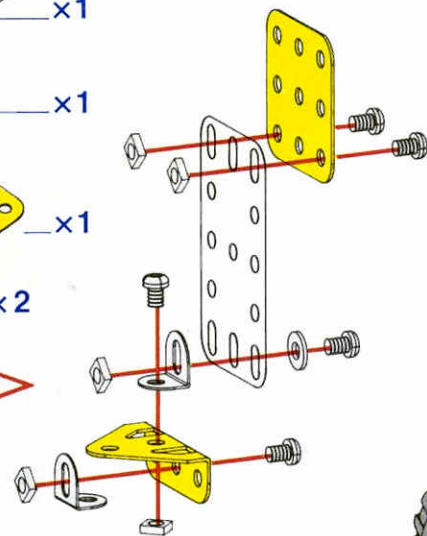
-x1



-x1



-x2

**12****10**
11

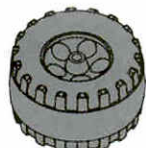
-x2

-x4

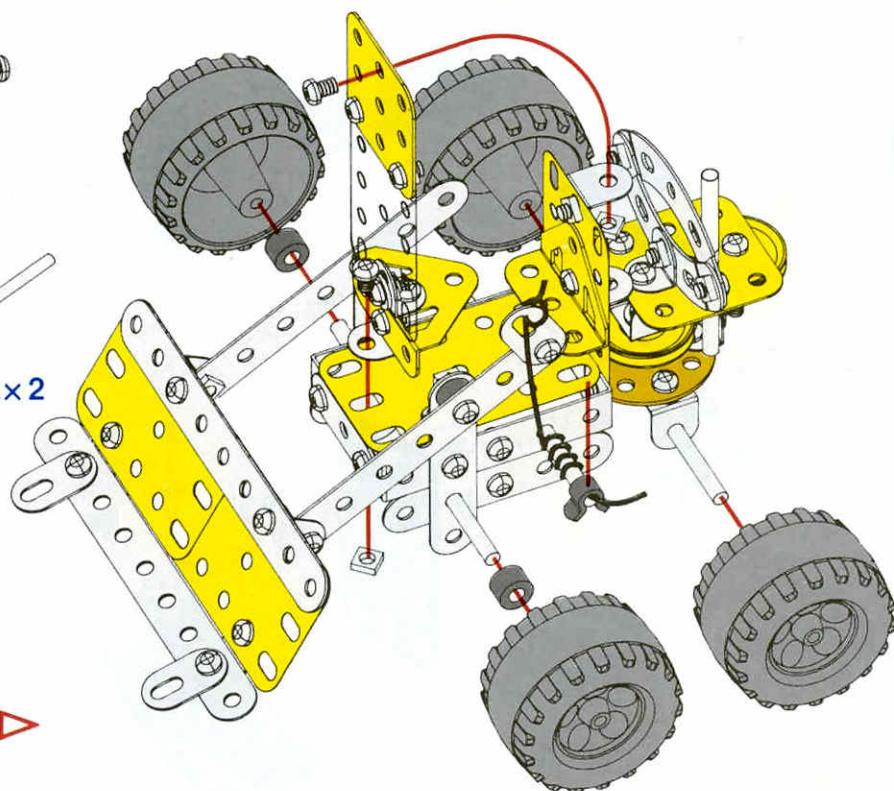
-x2

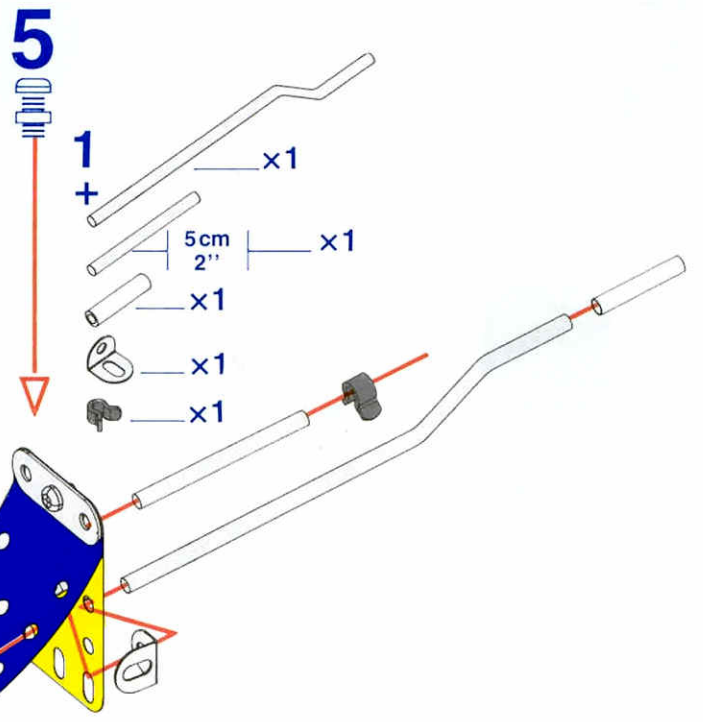
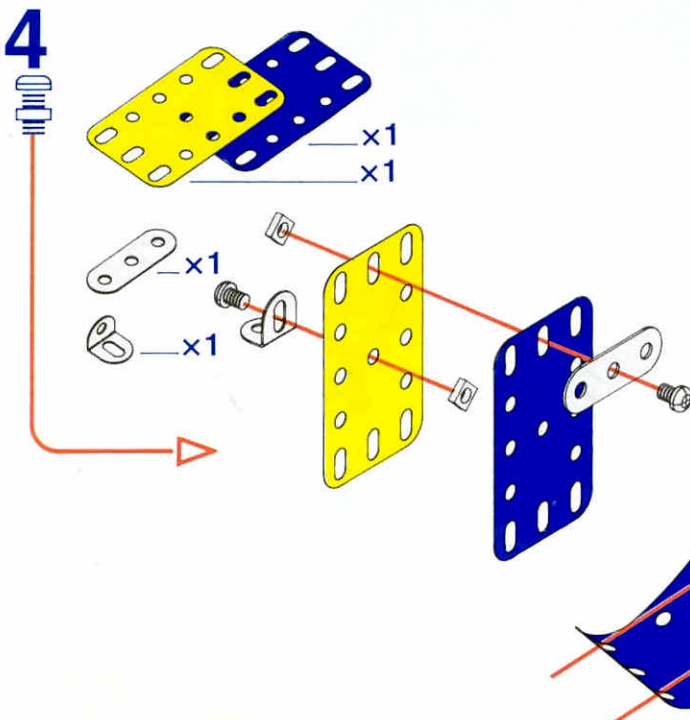
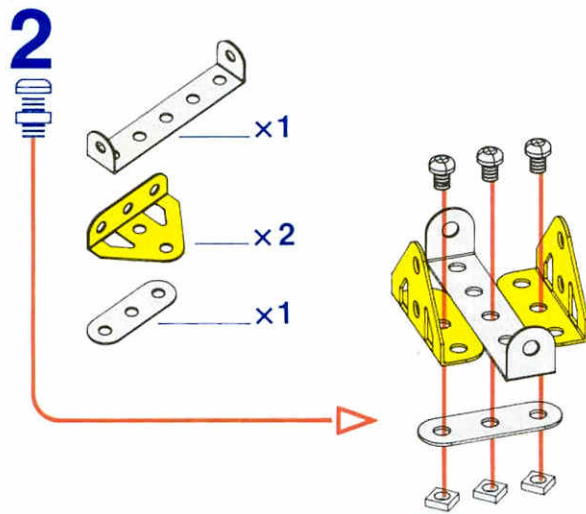
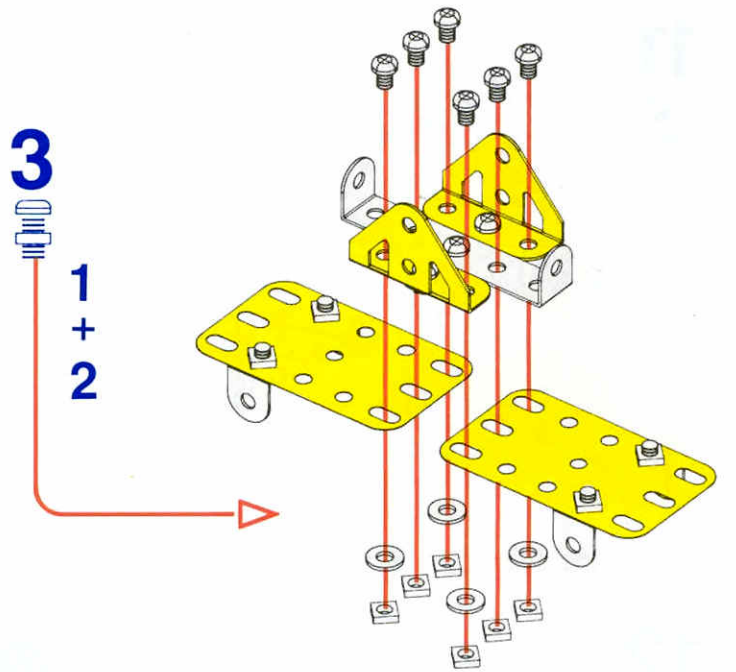
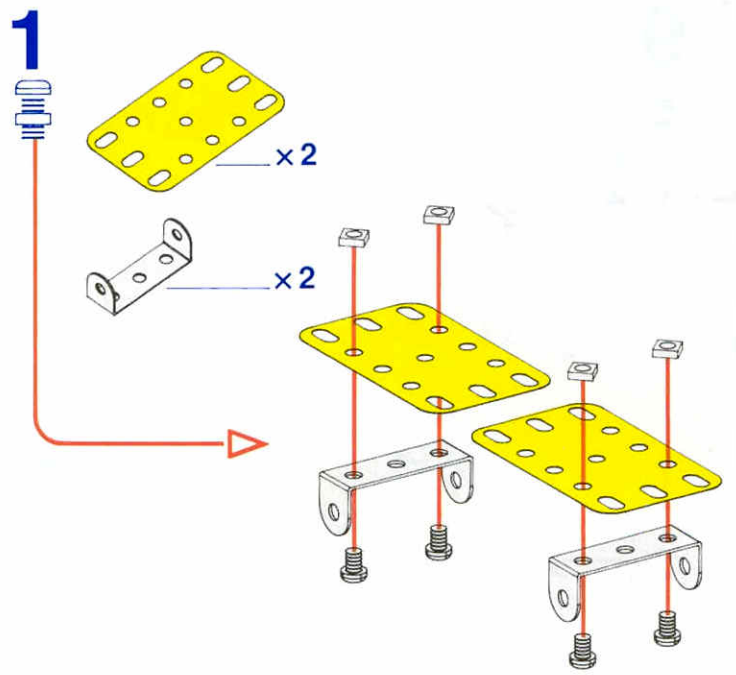
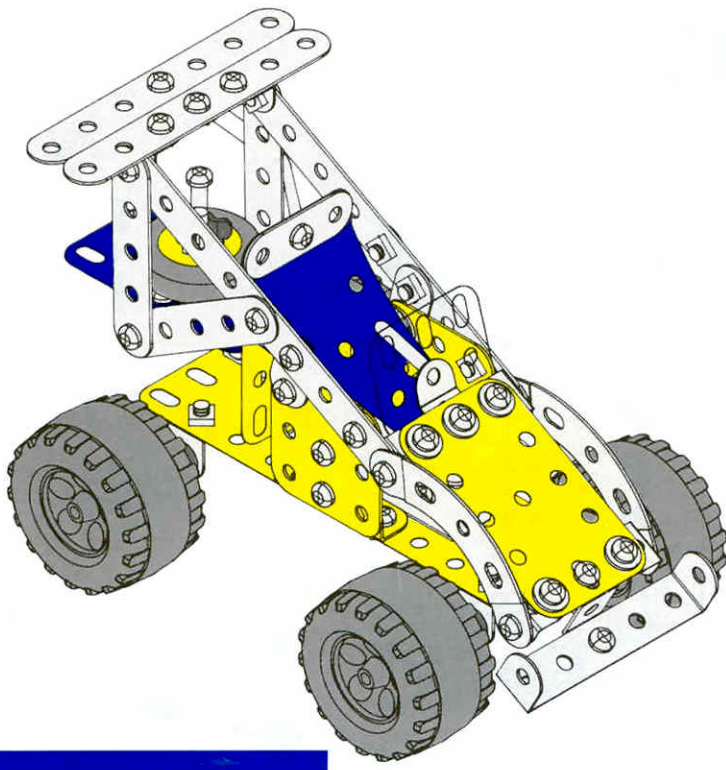
-x1

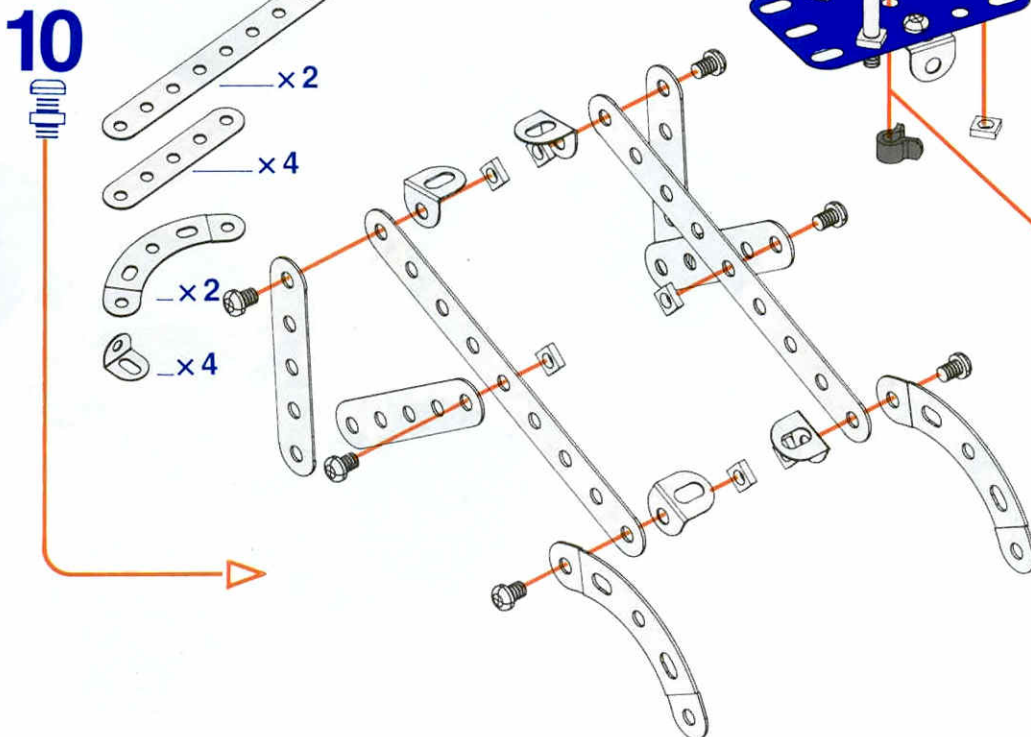
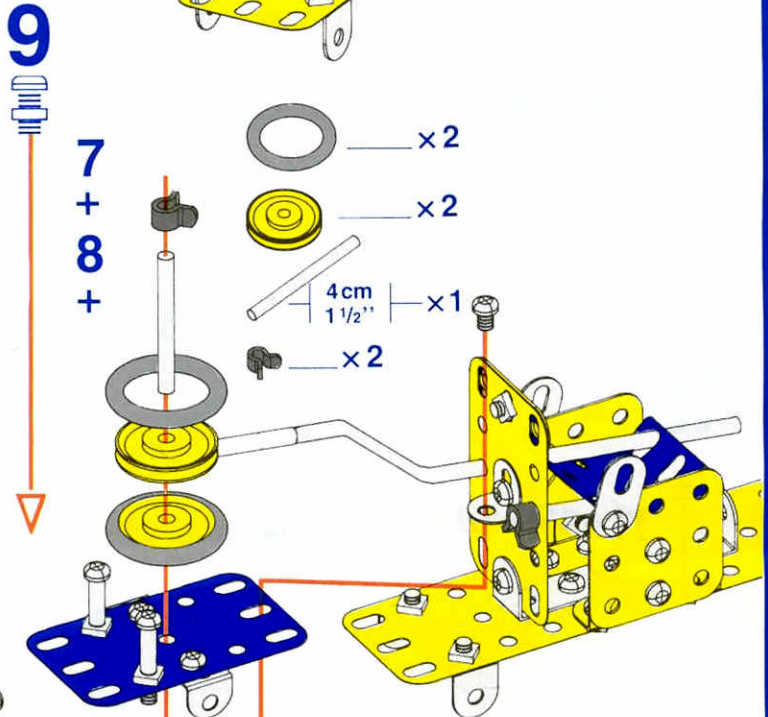
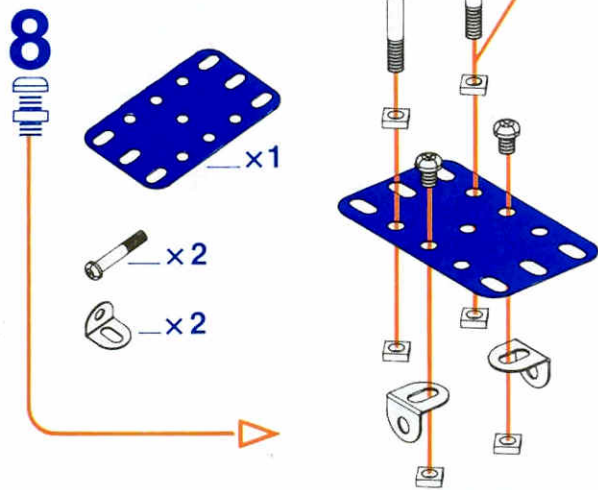
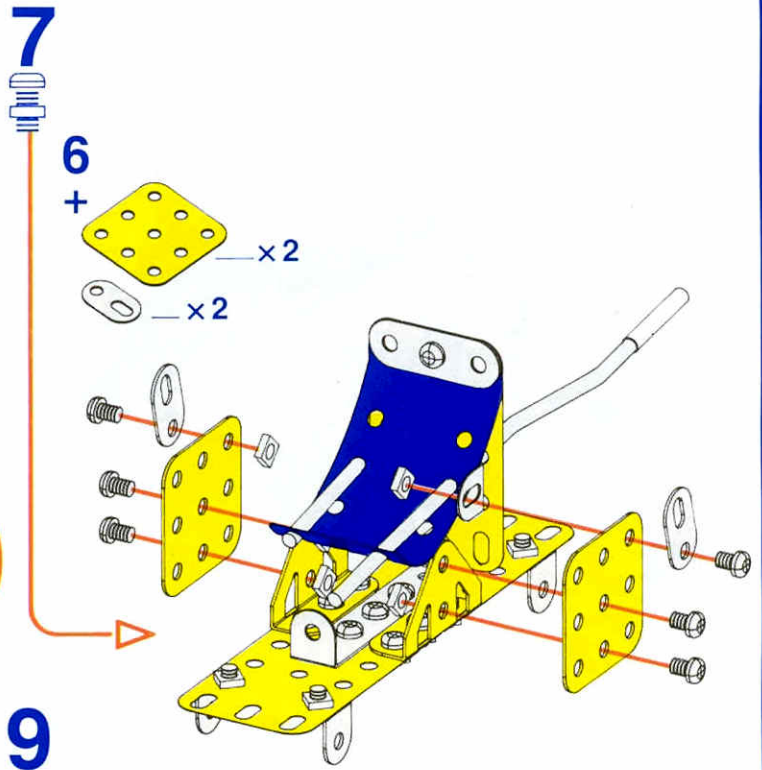
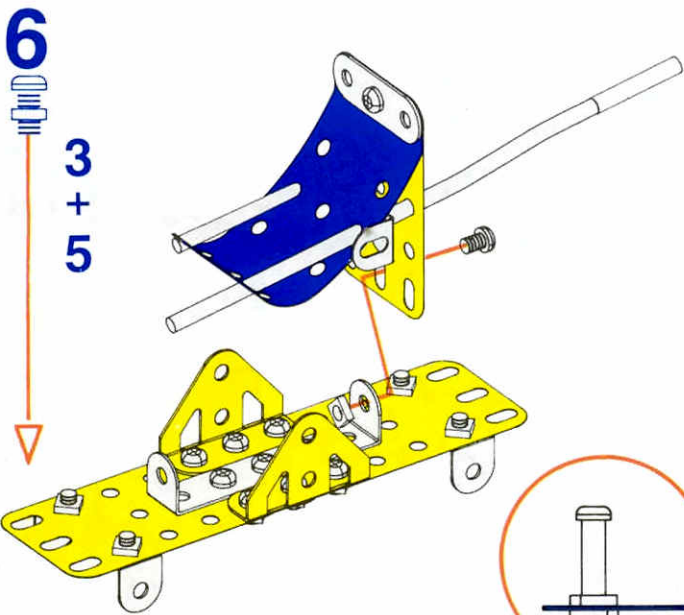
-x1



-x2

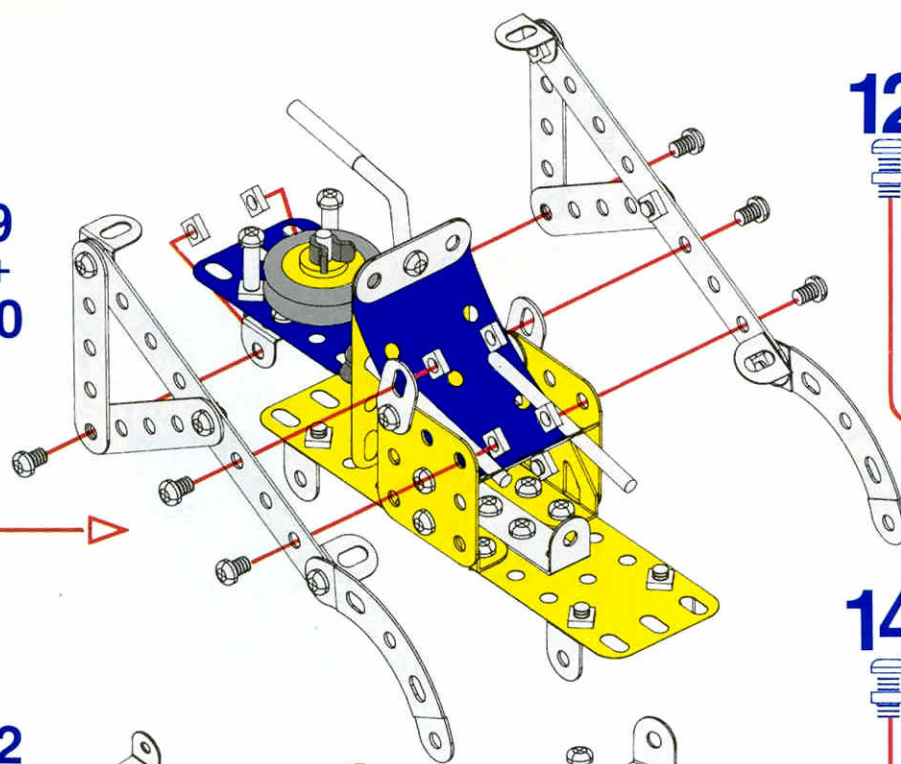




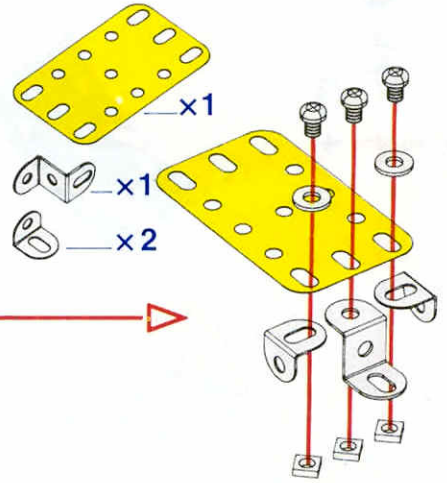


11

9 + 10

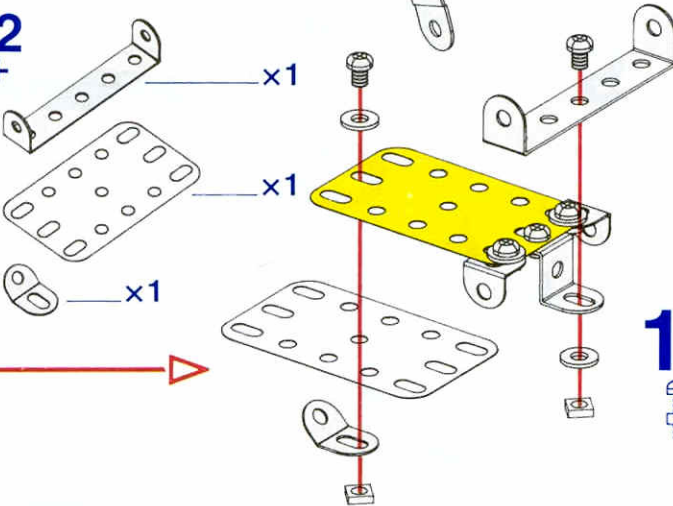


12

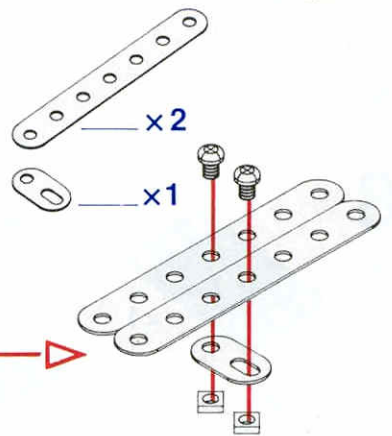


13

12 +

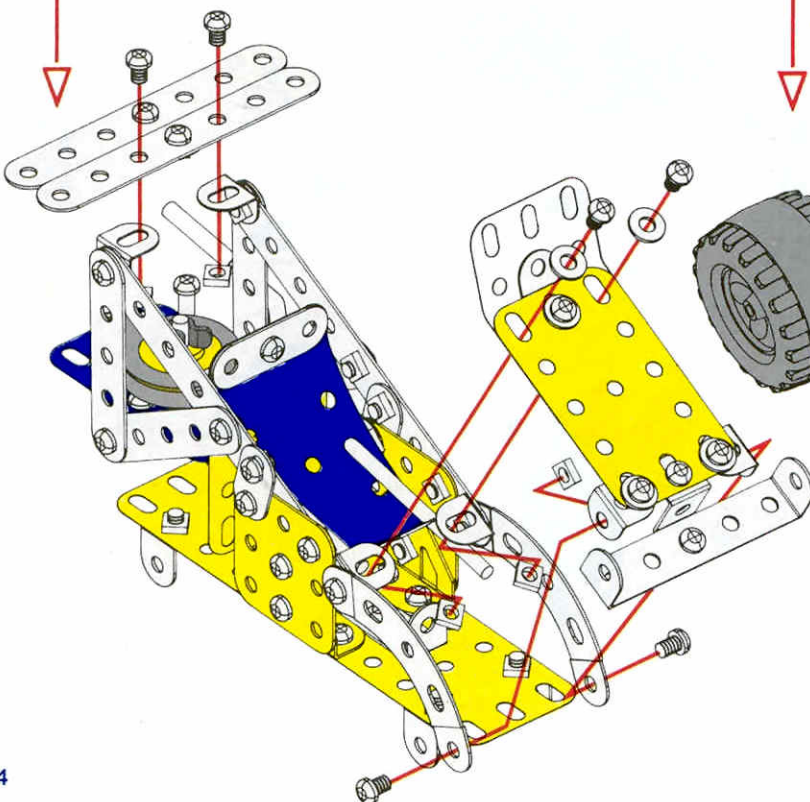


14



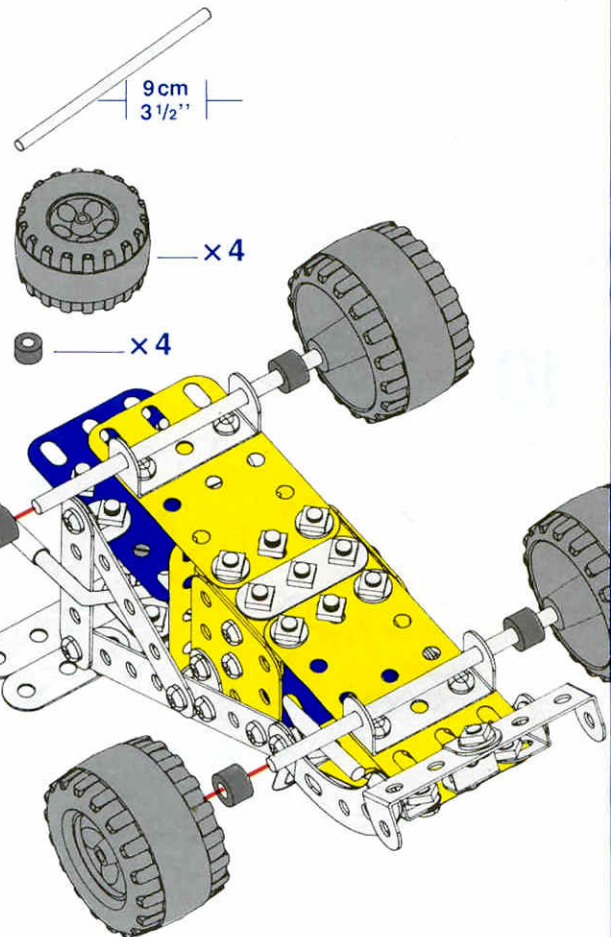
15

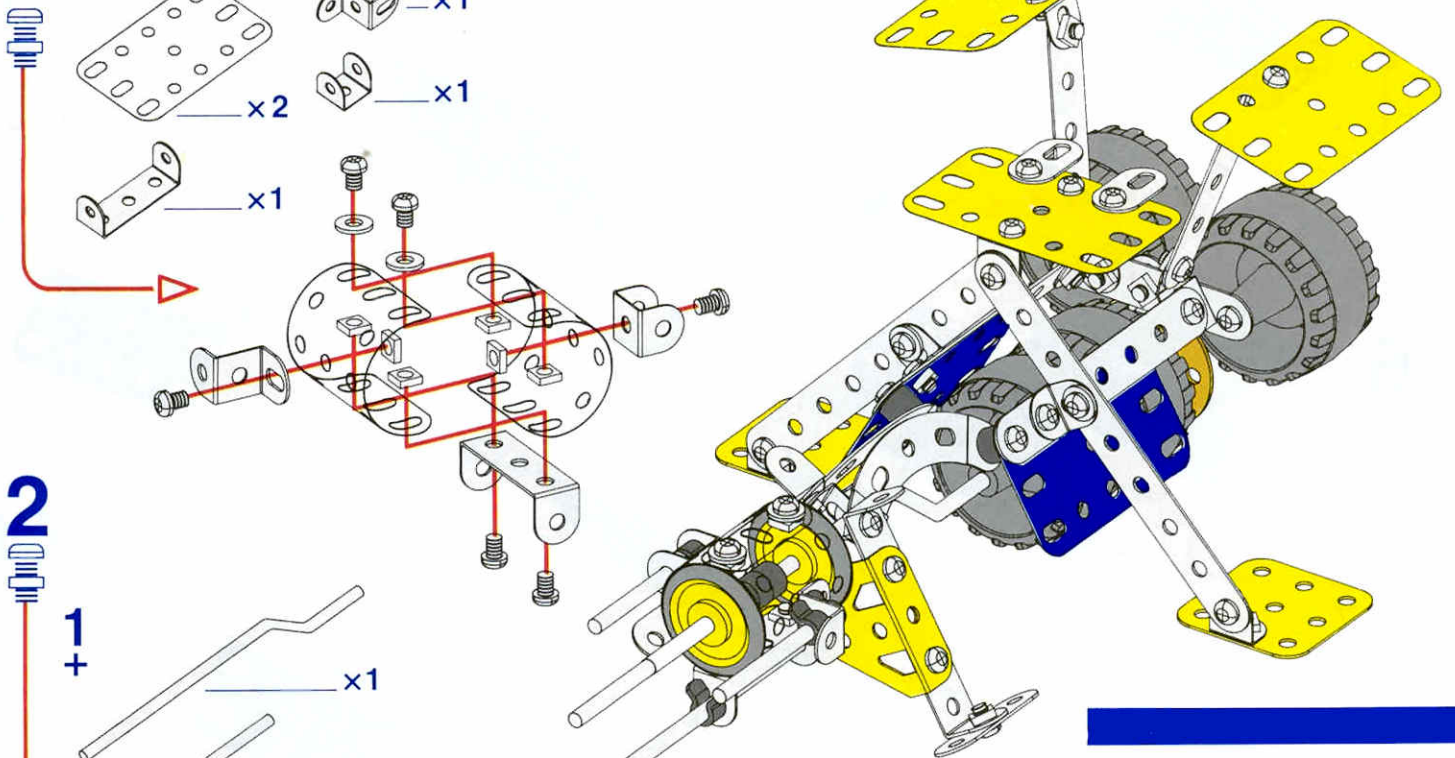
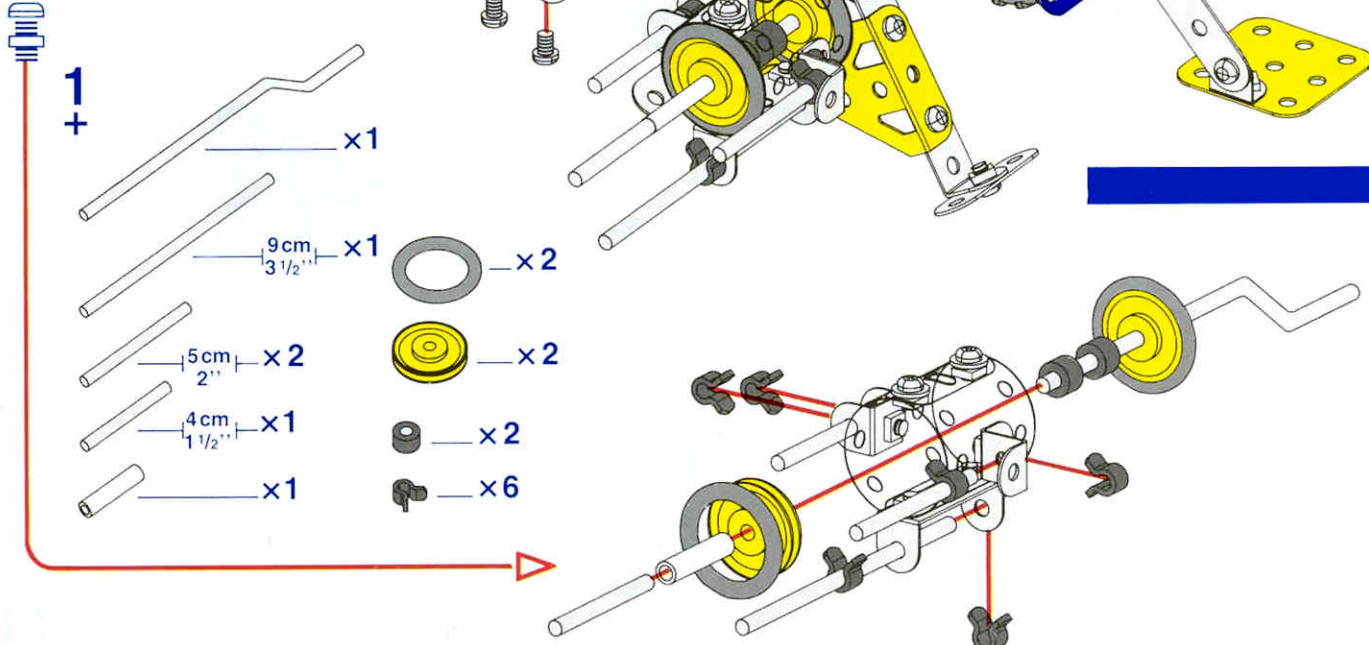
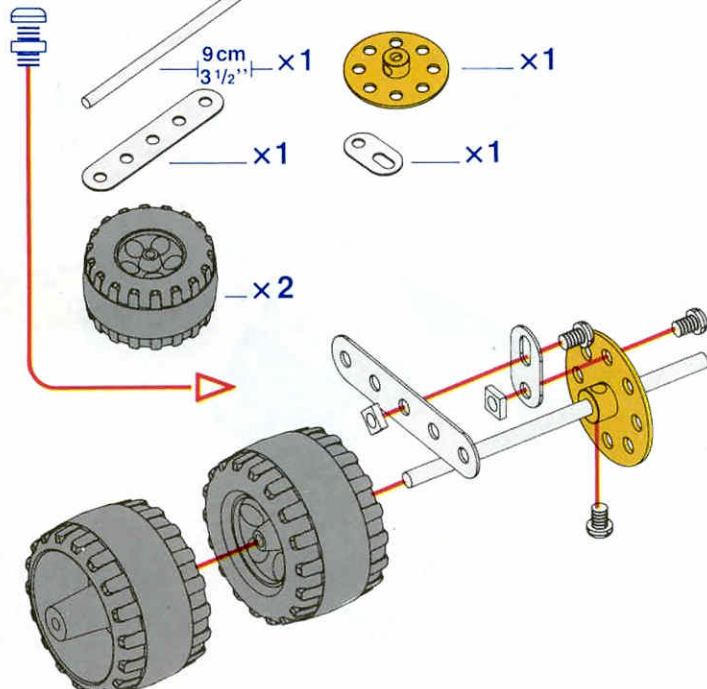
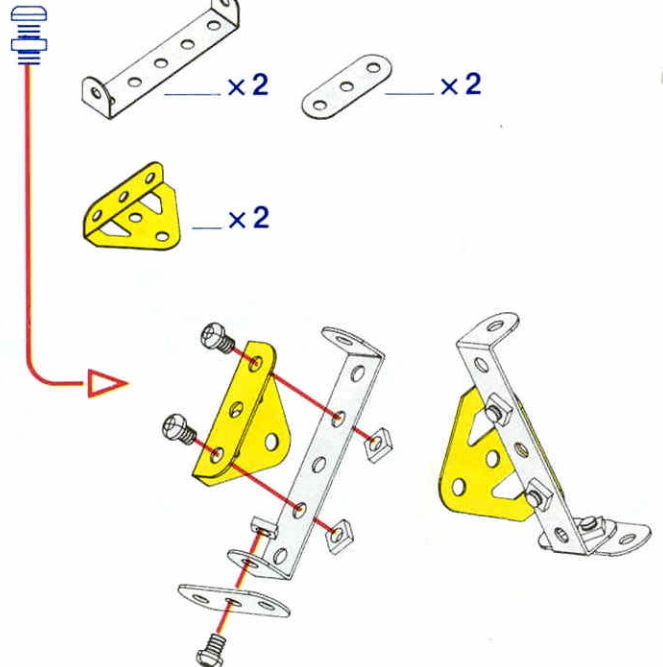
11+13+14



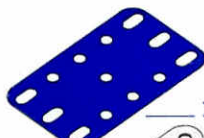
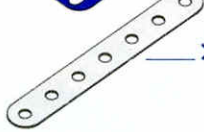





16

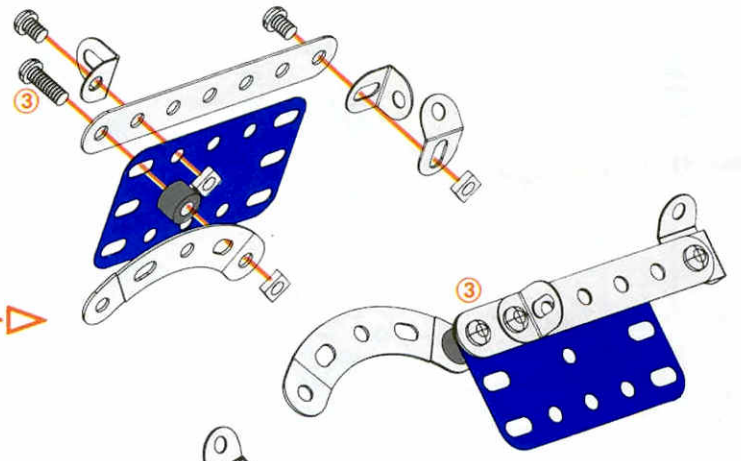
15 +





1**2****3****4**

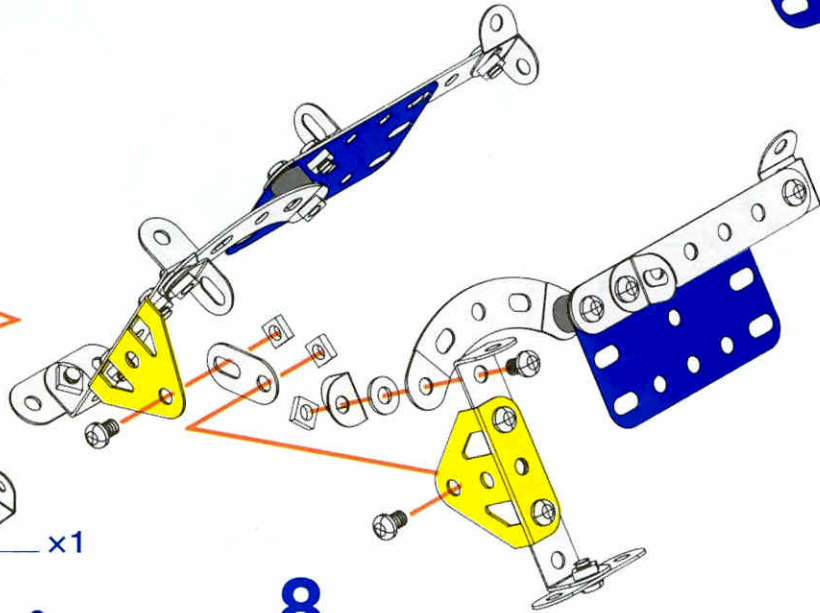
5

-  x2
-  x2
-  x2
-  x2
-  x4
-  x2
-  x2

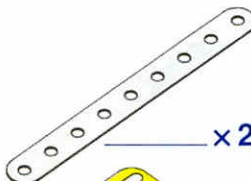
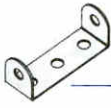
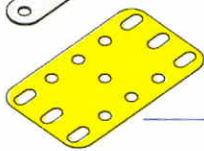
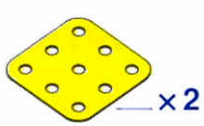




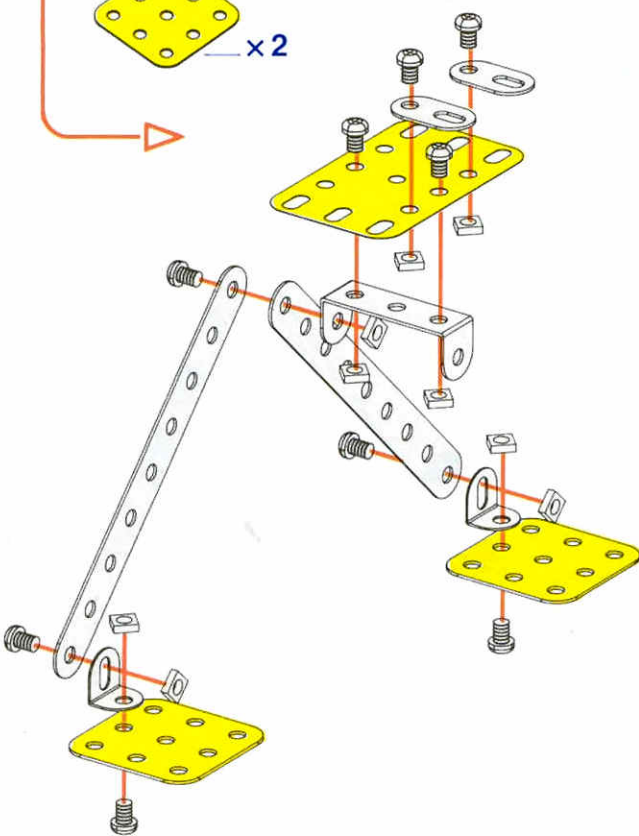
6

- 4
+
5
+
-  x2
 -  x1



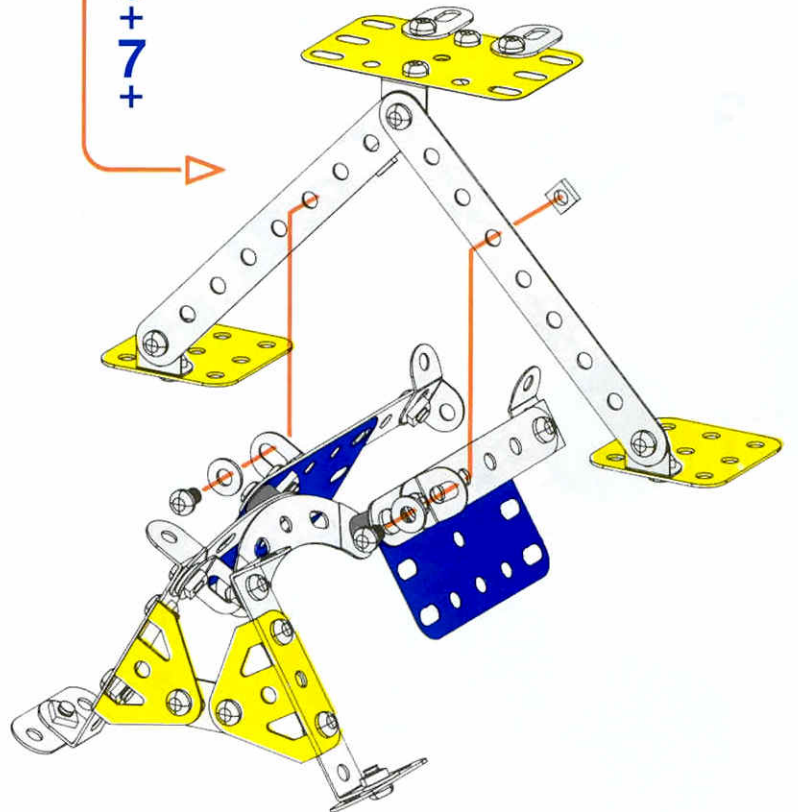
7

-  x2
-  x1
-  x1
-  x2
-  x2
-  x2



8

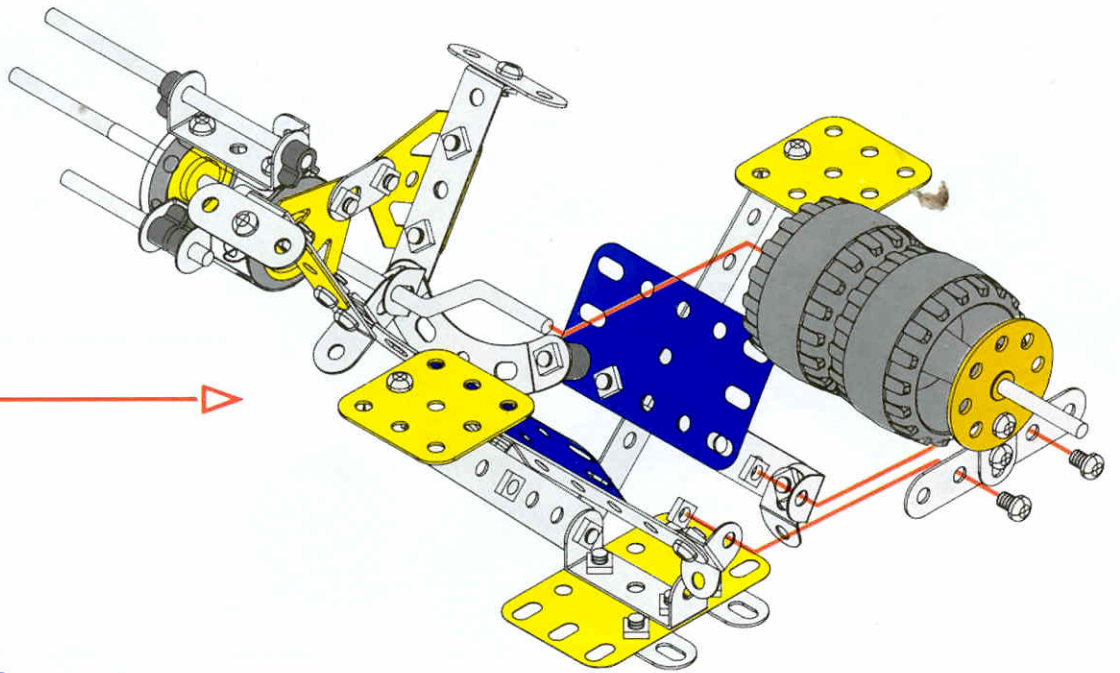
- 6
+
7
+



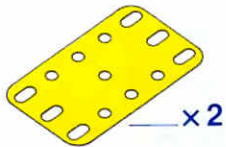
9



2
+
3
+
8



10



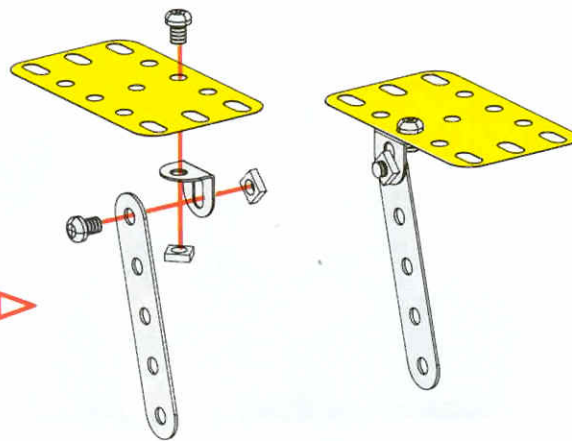
x2



x2



x2



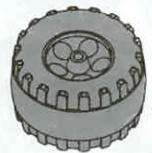
11



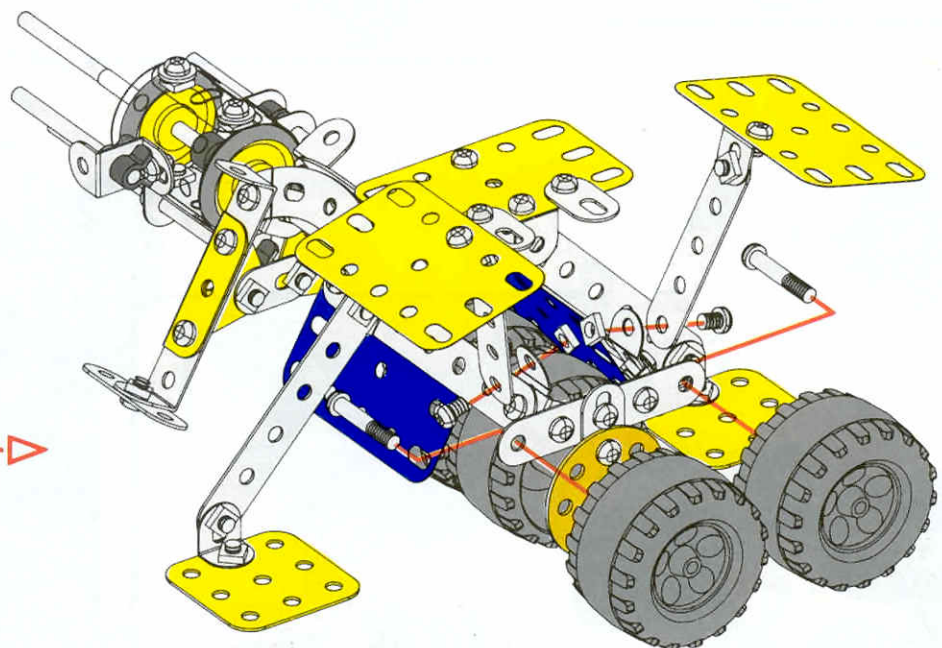
9
+
10
+

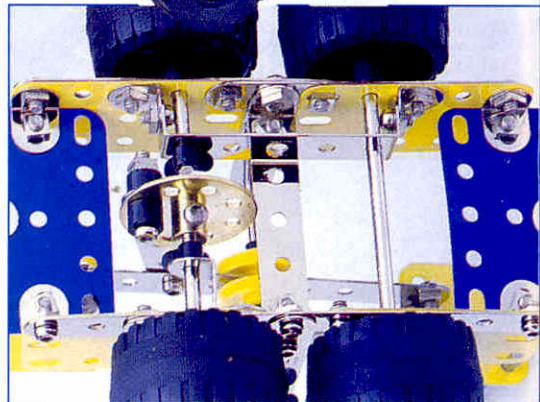
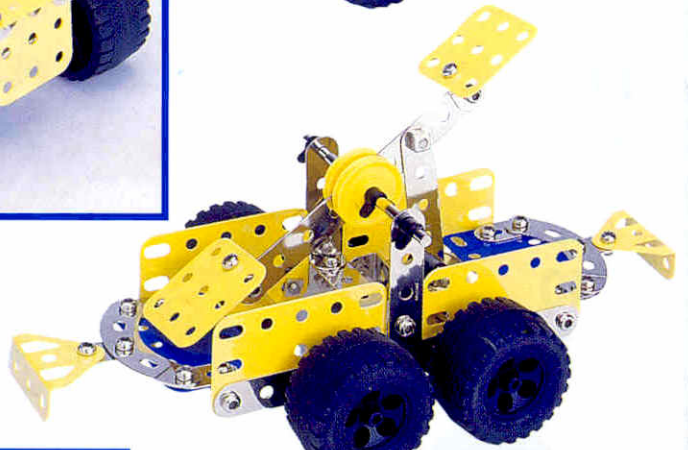
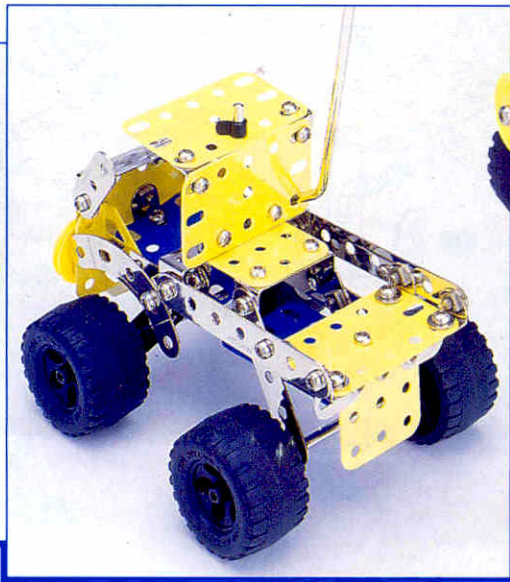
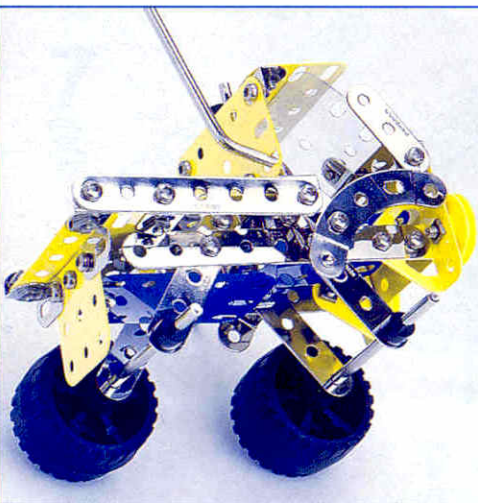
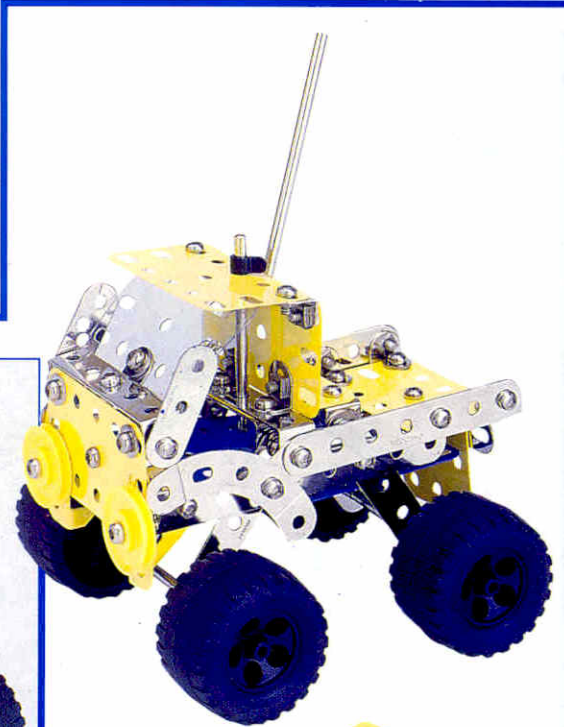
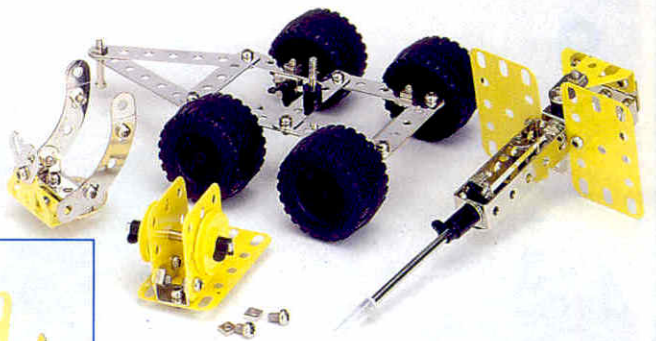
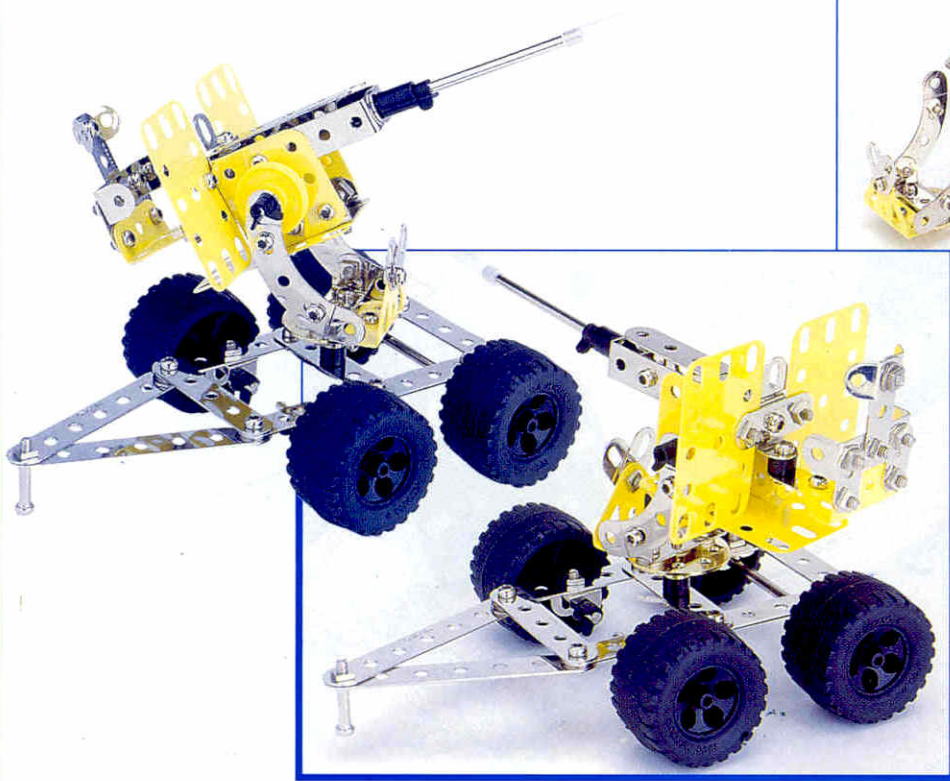


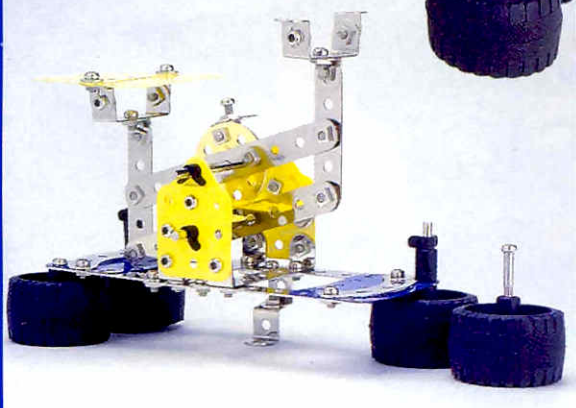
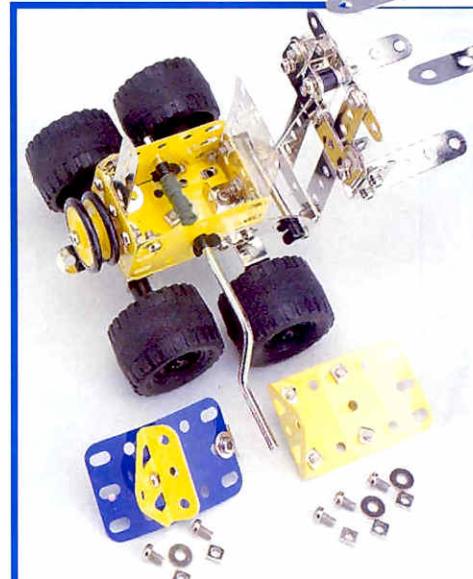
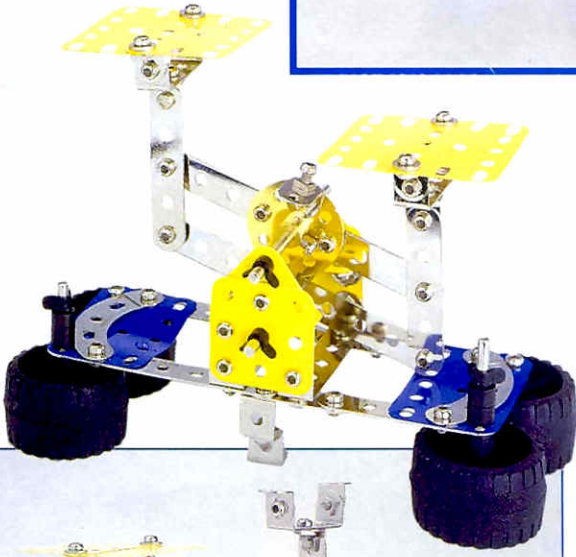
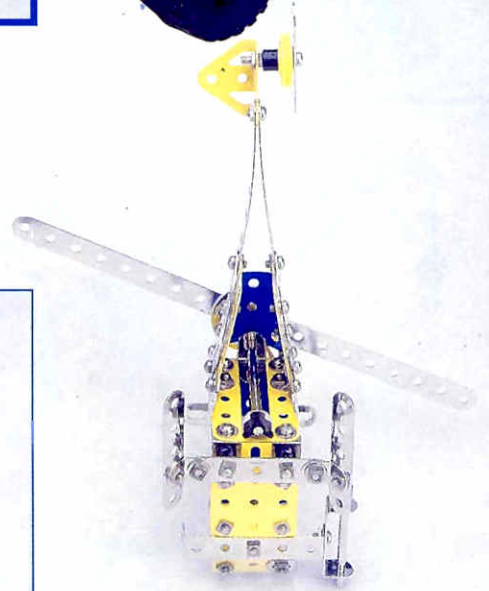
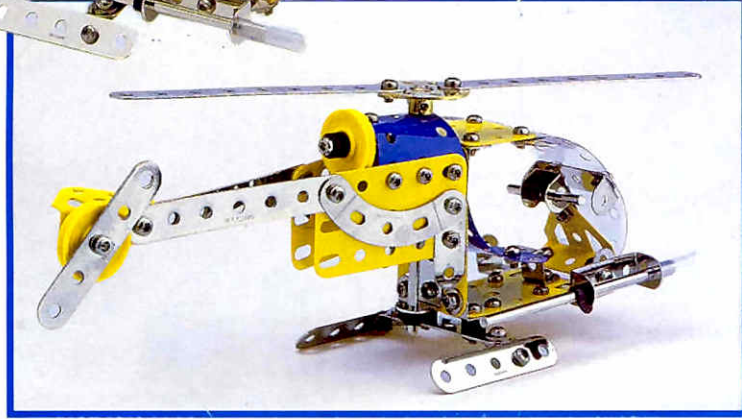
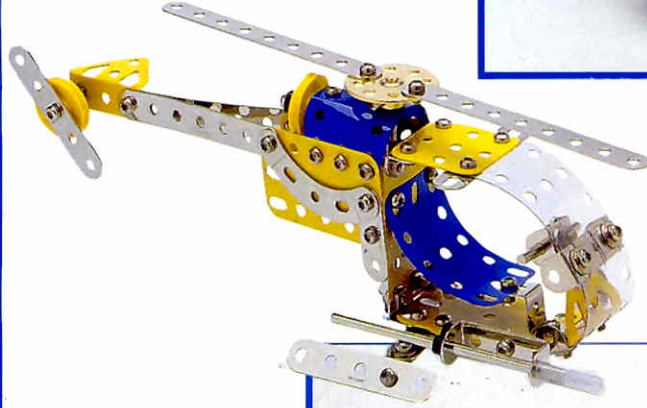
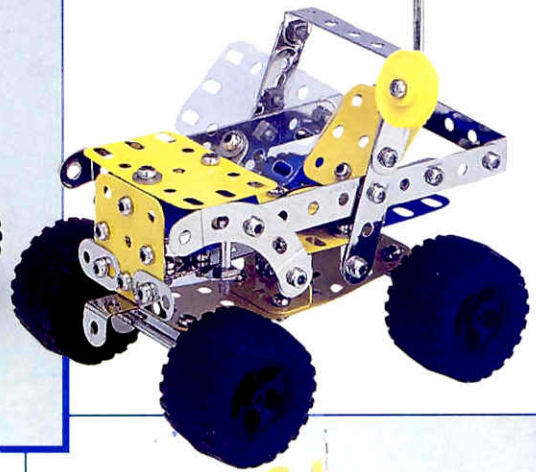
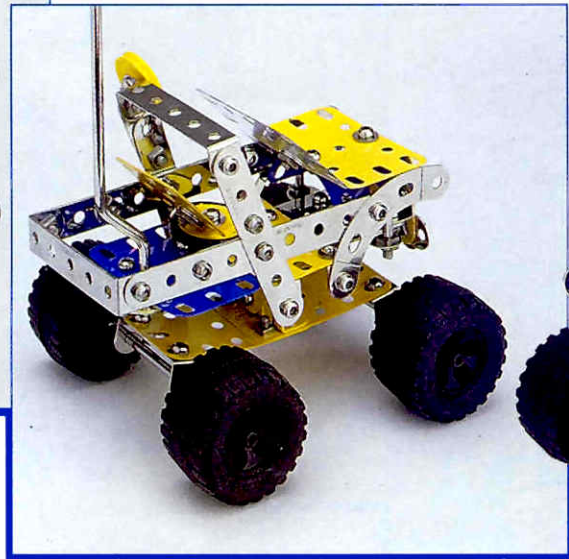
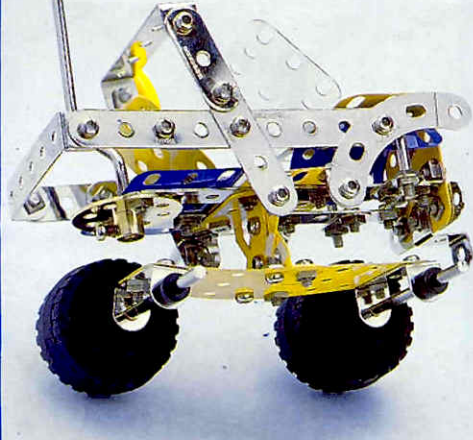
x2

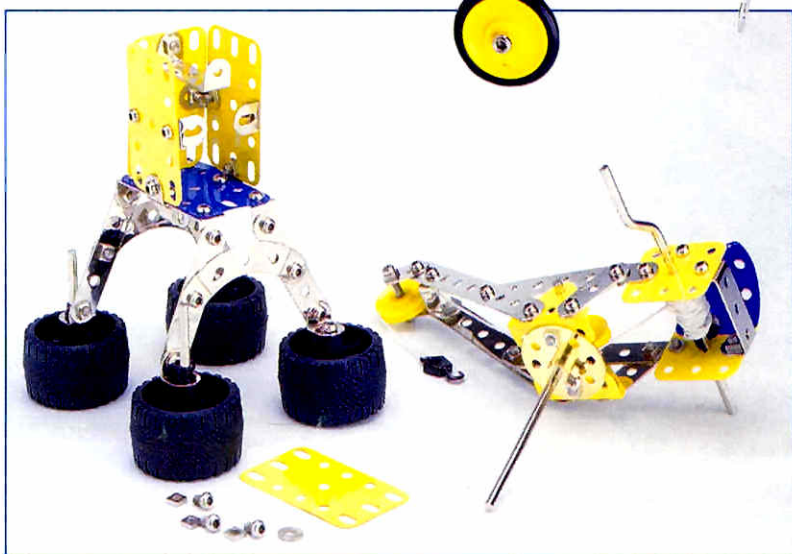
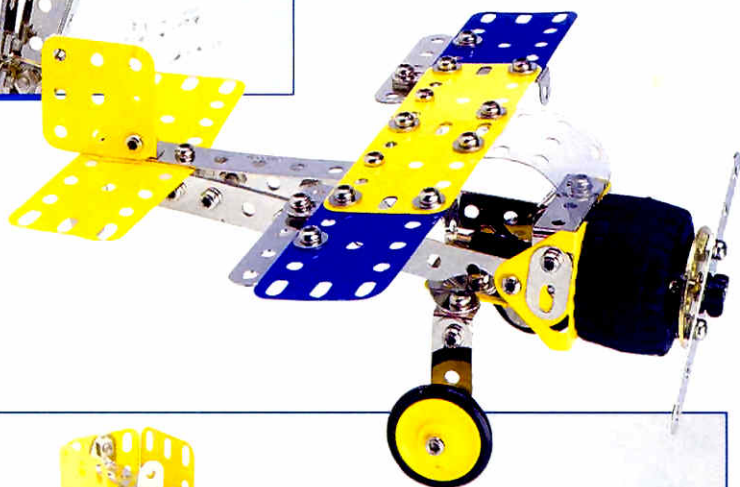
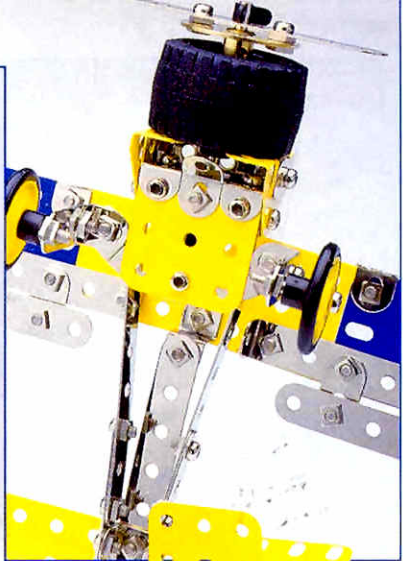
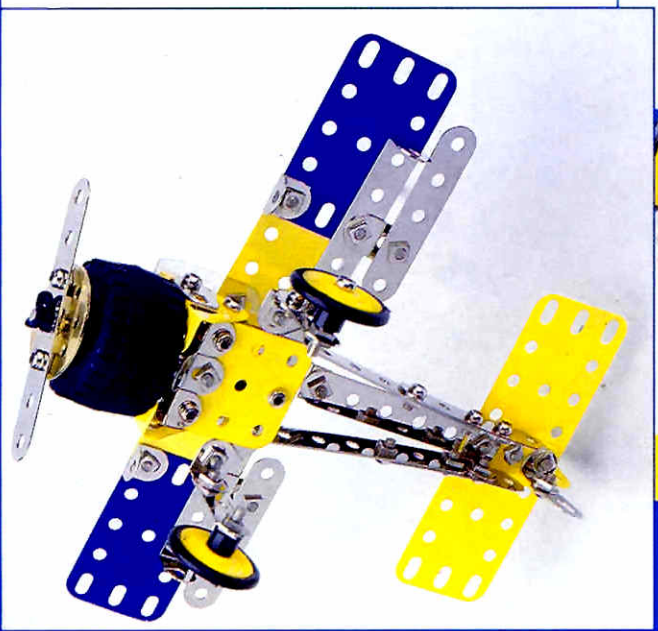


x2

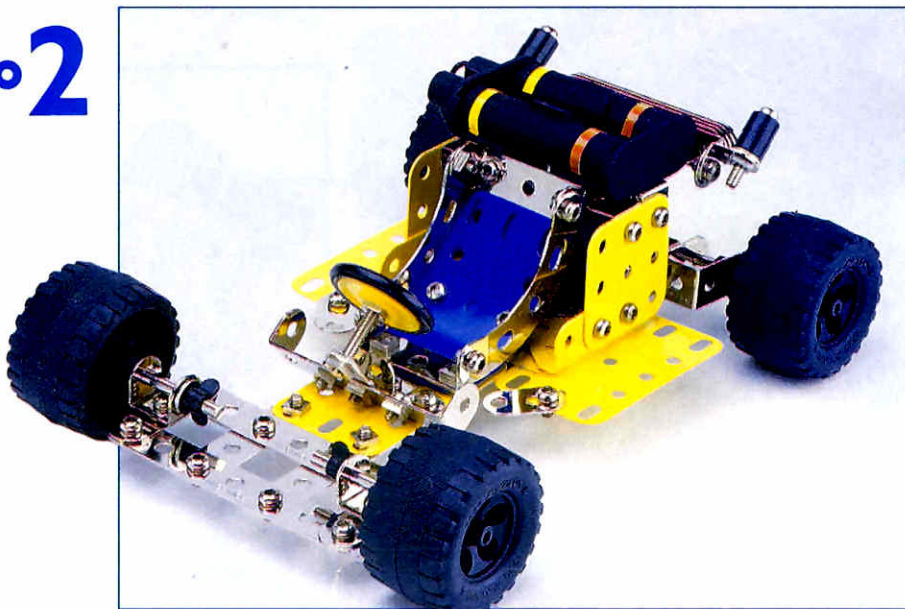








n°1 + C1 = n°2



MECCANO

Avenue de Saint-Exupéry
62104 CALAIS - FRANCE