


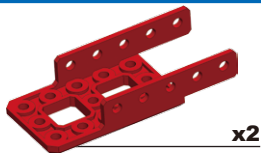


1

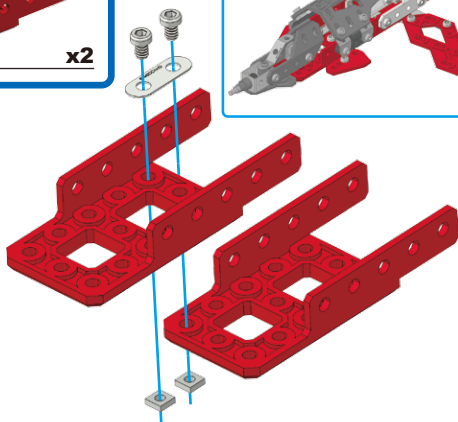
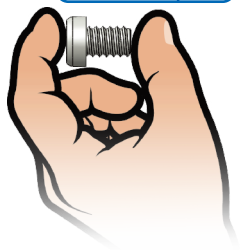
-  **S1** | 5,8 mm | **x2**
15/64"
-  **x2**
-  **x1**






x2



-  **S1** | **1:1**

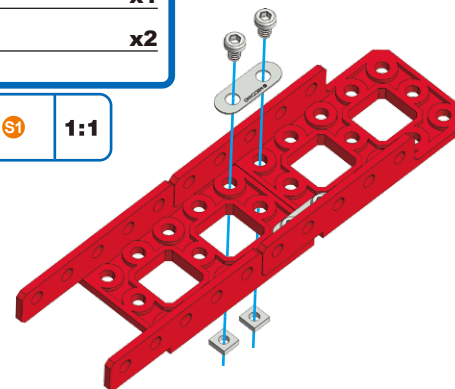




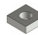
2

-  **S1** | 5,8 mm | **x2**
15/64"
-  **x1**
-  **x2**

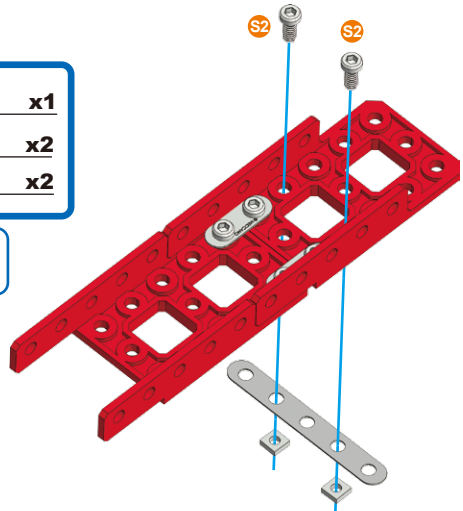





-  **S1** | **1:1**



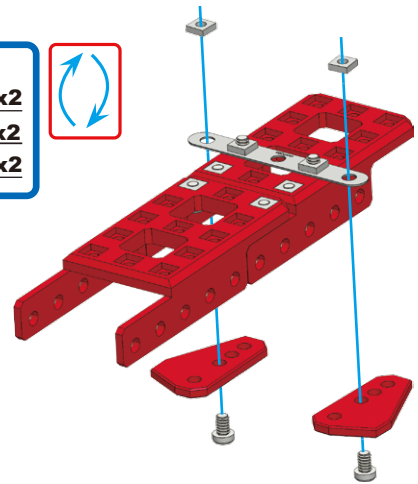
- 3**
-  **x1**
 -  | 9,5 mm | **x2**
3/8"
 -  **x2**




-  **S2** | **1:1**

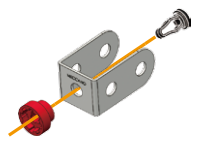





- 4**
-  **x2**
 -  | 5,8 mm | **x2**
15/64"
 -  **x2**

-  **S1** | **1:1**

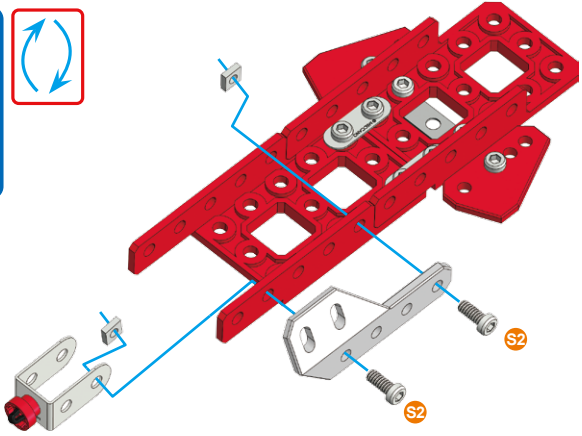


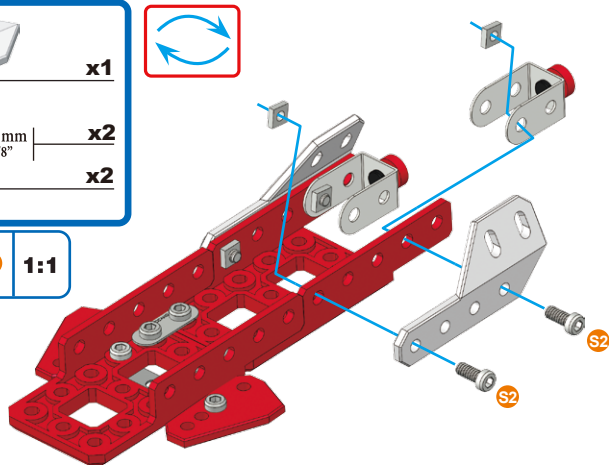
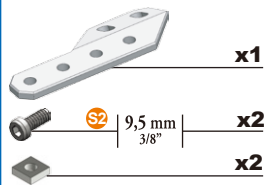
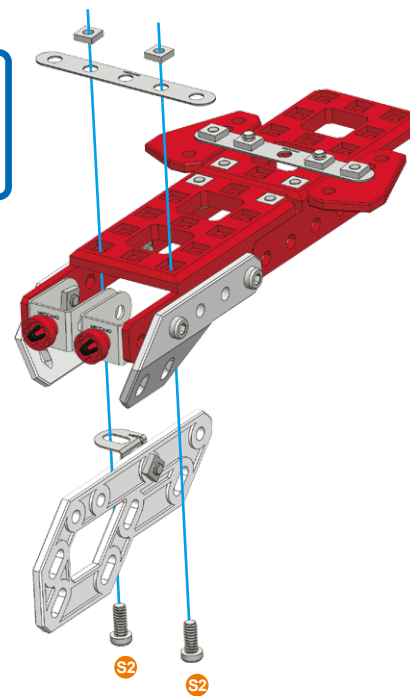
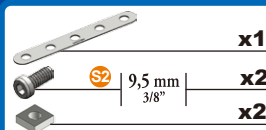
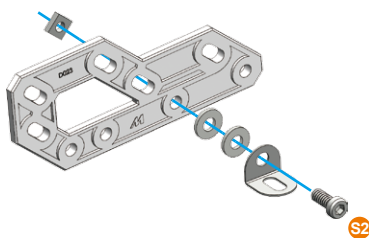
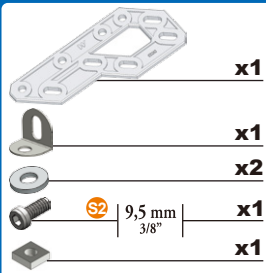
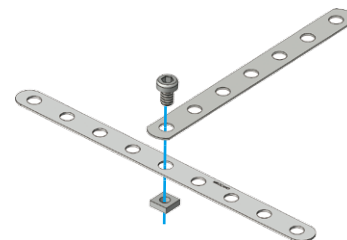
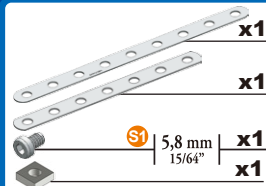
- 5**
-  **x2**
 -  **x2**
 -  **x2**




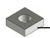
- 6** (4) + (5) +
-  **x1**
 -  | 9,5 mm | **x2**
3/8"
 -  **x2**

-  **S2** | **1:1**

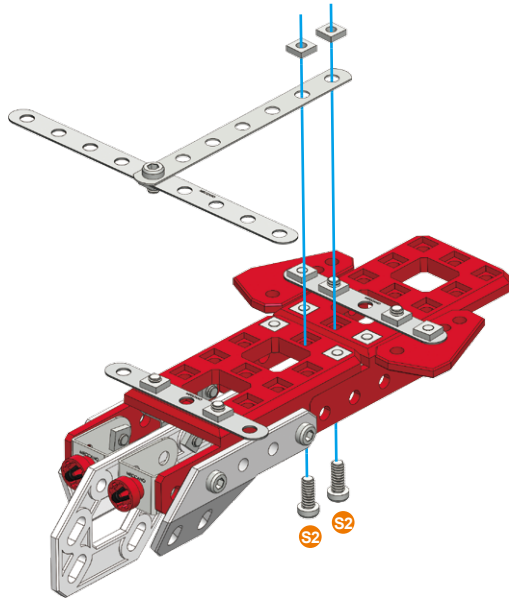


7**(5) + (6) +****9****(7) + (8) +****8****10**




11 ⑨ + ⑩ +

	S2	9,5 mm 3/8"	x2
			x2

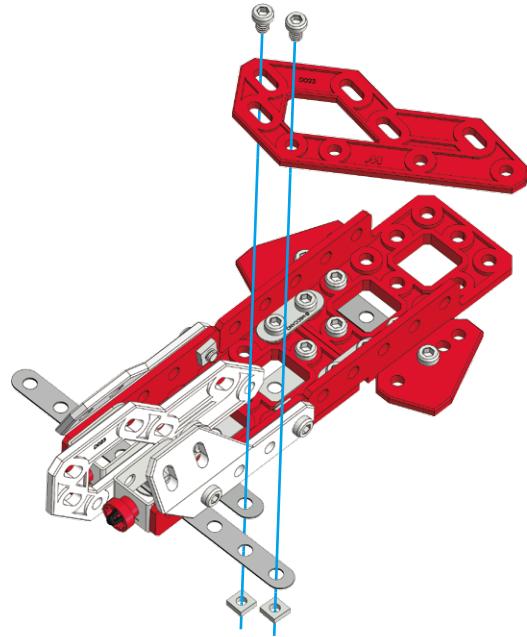
	S2	1:1
---	----	-----

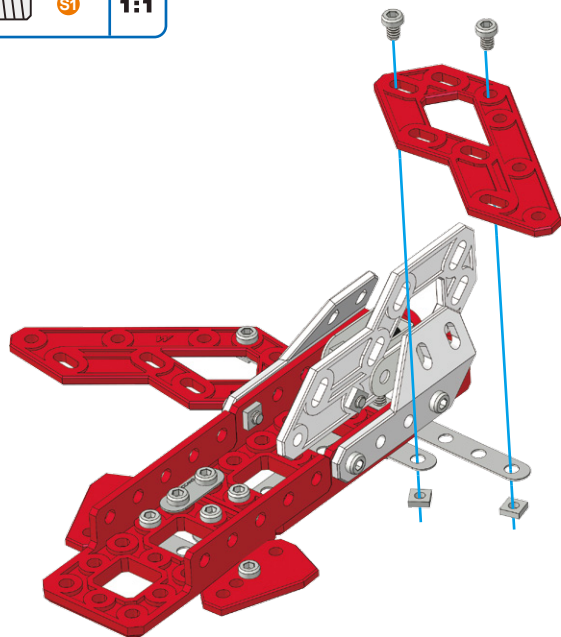
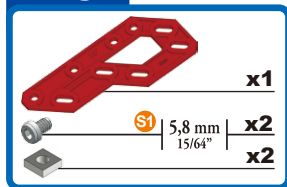
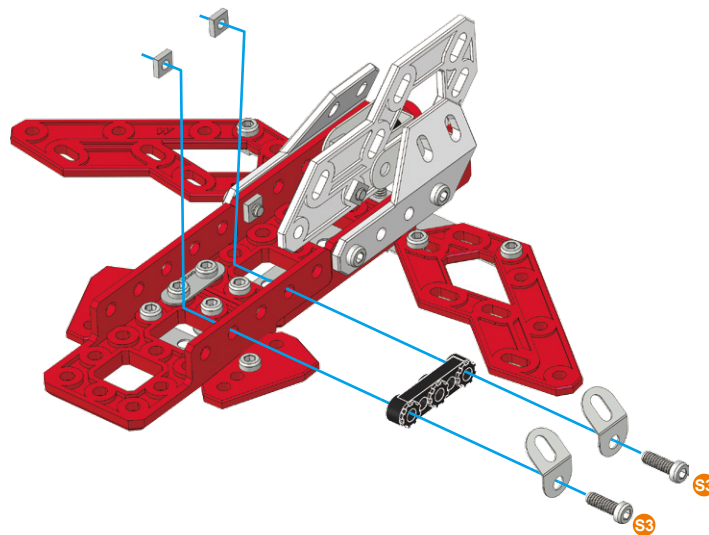
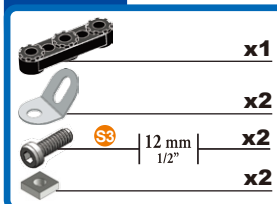


12

			x1
	S1	5,8 mm 15/64"	x2
			x2

	S1	1:1
--	----	-----



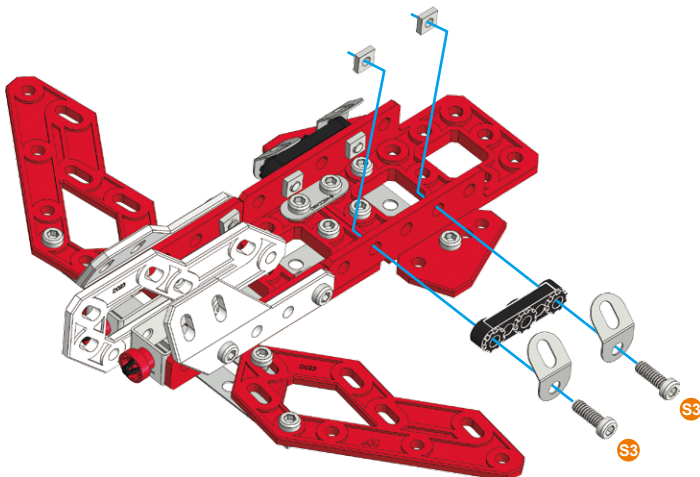
13**14**

15

	x1
	x2
	x2
	x2



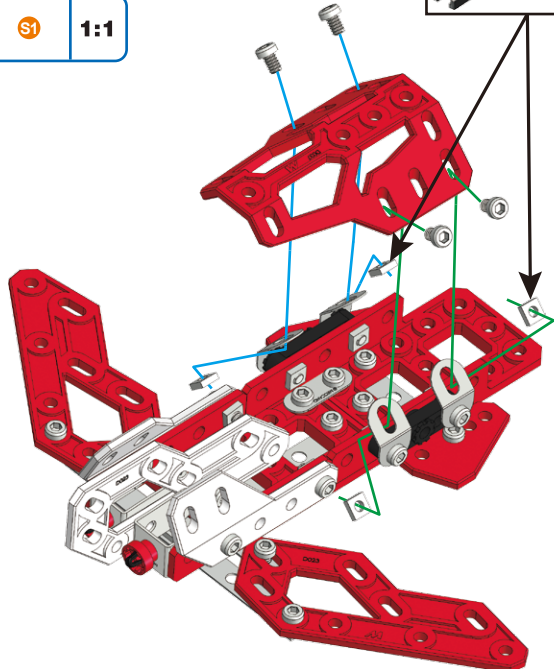
	1:1
--	-----



16

	x1
	x4
	x4

	1:1
--	-----



17



x1



x1



S1

5,8 mm
15/64"

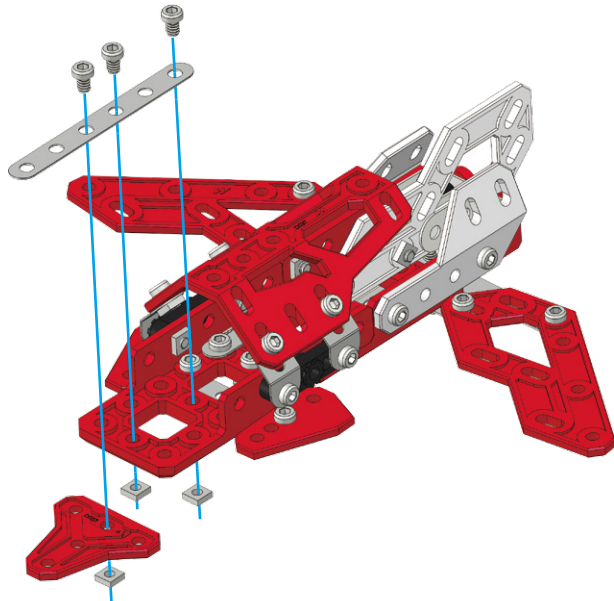
x3

x3

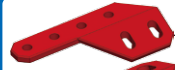


S1

1:1



18



x1



x1



x1



S1

5,8 mm
15/64"

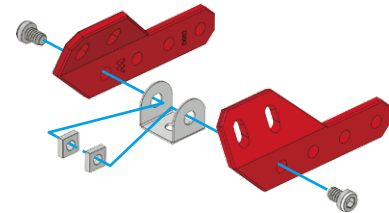
x2

x2



S1

1:1



19



x1



S1

5,8 mm
15/64"

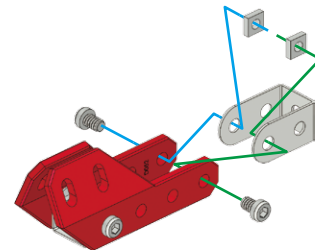
x2

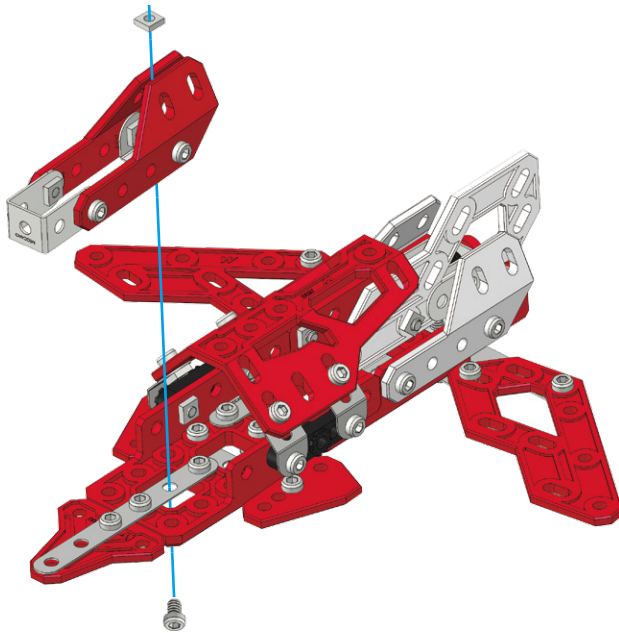
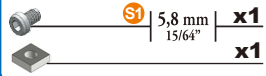
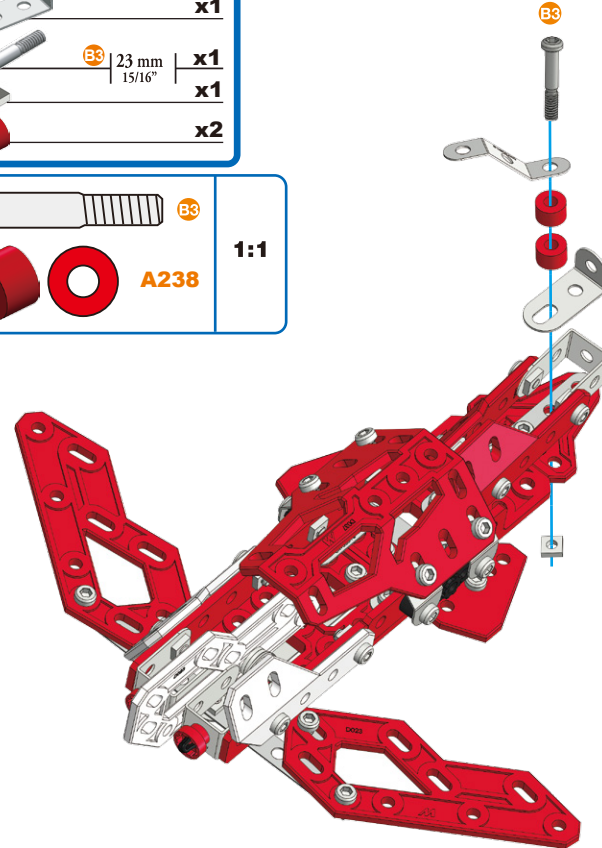
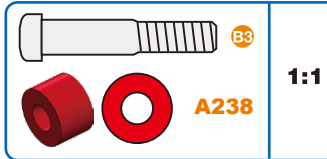
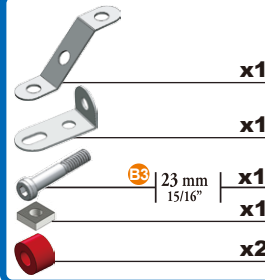
x2








S1

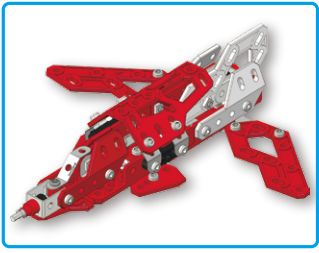
1:1




20**17 + 19 +****21**

22

	32mm 1 1/4"	x1
		x1
		x1
		x1
		x1



		A238	1:1
		A338	

