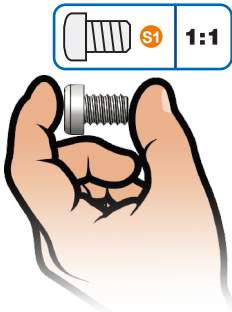
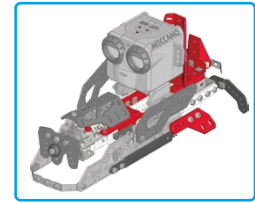
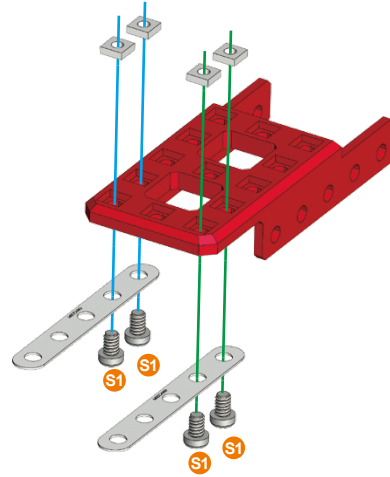


1




- x1**
- x2**
- x4** | 5,8 mm | 15/64"
- x4**




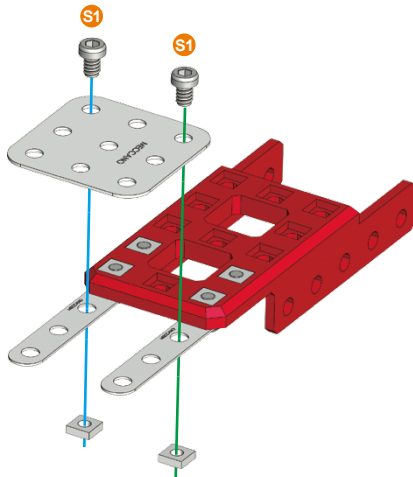
S1 | **1:1**






2


	x1
 5,8 mm 15/64"	x2
	x2

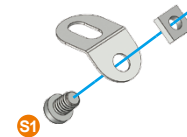
	S1	1:1
---	-----------	------------






3


	x4
 5,8 mm 15/64"	x4
	x4

	S1	1:1
--	-----------	------------






4


	x4
 9,5 mm 3/8"	x4
	x4

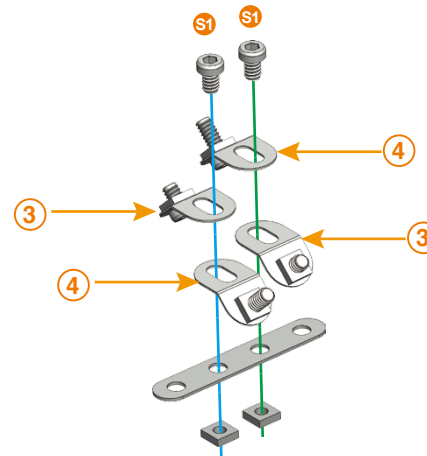
	S2	1:1
---	-----------	------------







5 (3) + (4) +



	x1
 5,8 mm 15/64"	x2
	x2

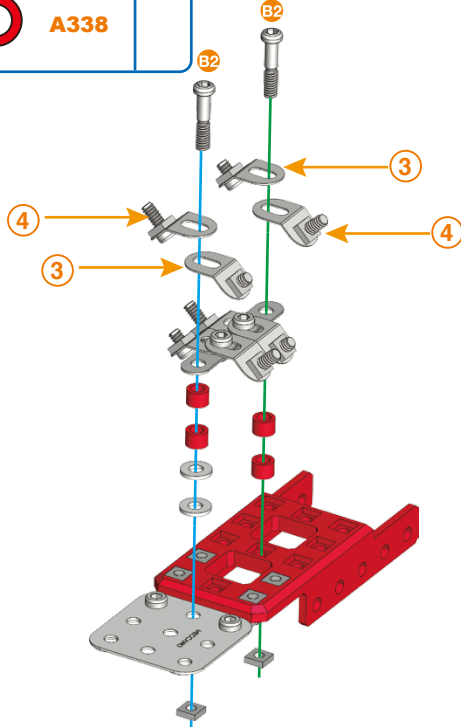
	S1	1:1
---	-----------	------------






6**③ + ④ + ⑤ +**

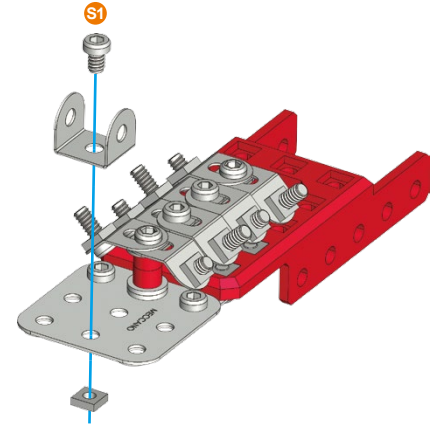
	19 mm 3/4"	x2
		x4
		x2
		x2




	1:1
	A338

**7**

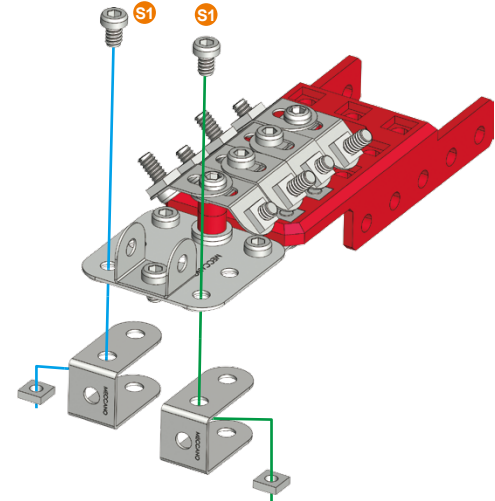
		x1
	5,8 mm 15/64"	x1
		x1

	1:1
---	------------



**8**

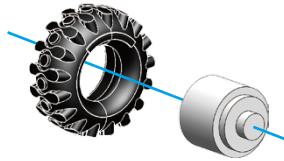
		x2
	5,8 mm 15/64"	x2
		x2

	1:1
---	------------

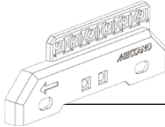



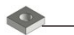



9

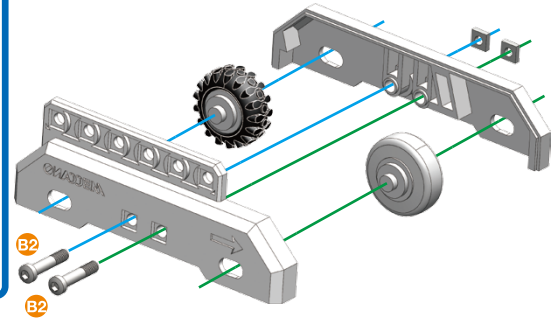
	x2
	x2




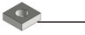
10 ⑨+

	x1
	x1
	x1
 19 mm 3/4"	x2
	x2

 B2	1:1
--	-----

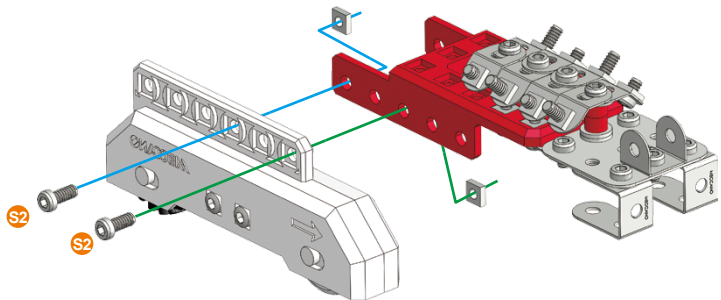


11 ⑧+⑩+

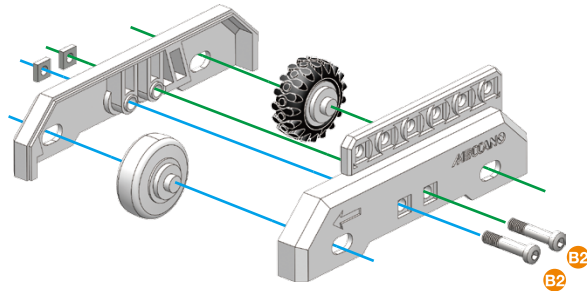
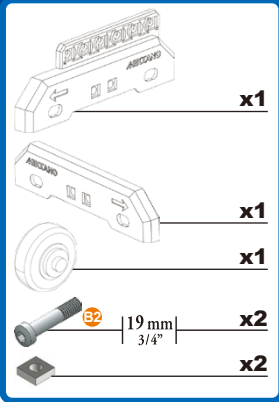
 S2	9,5 mm 3/8"	x2
		x2



 S2	1:1
--	-----

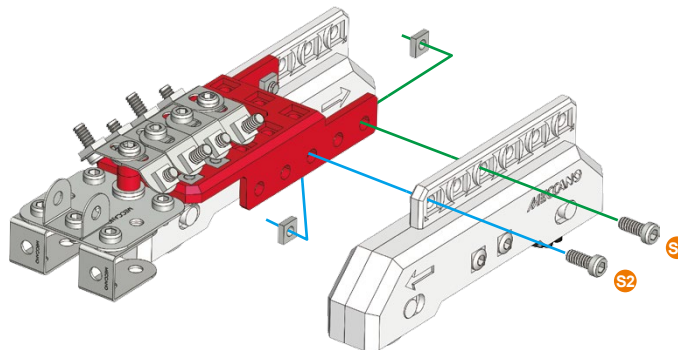
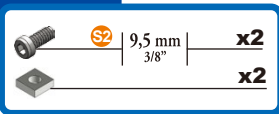


12

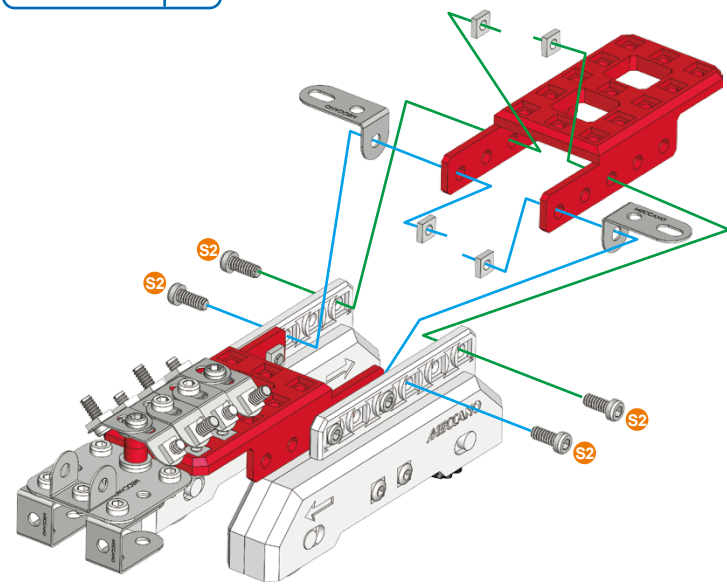
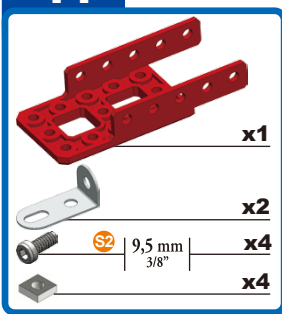


13

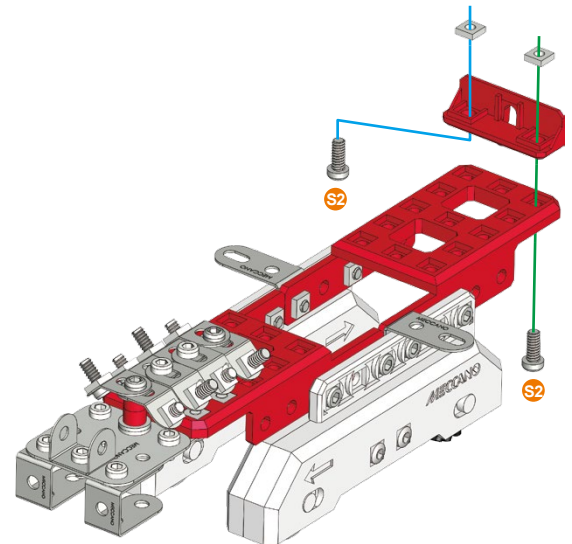
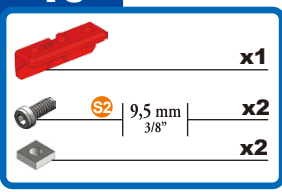
11 + 12 +

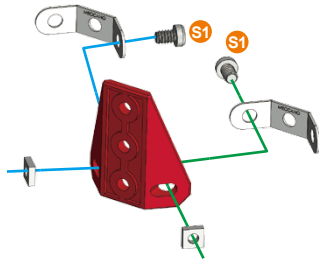
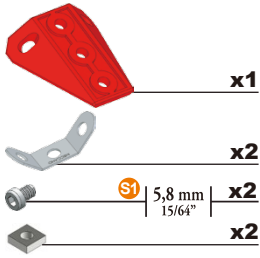
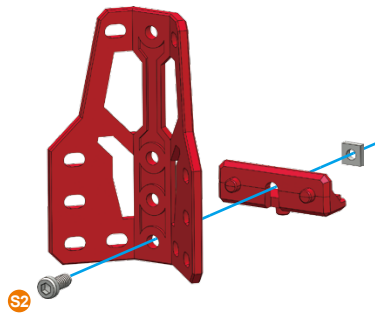
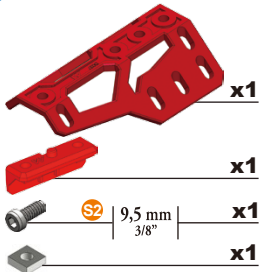
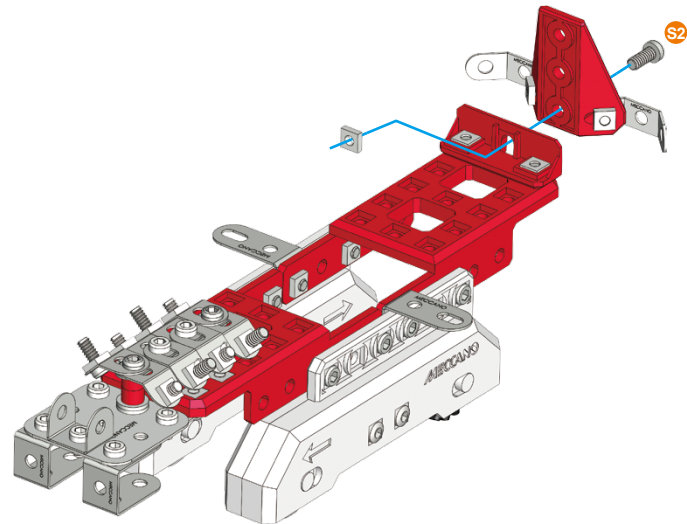
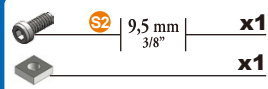


14





15



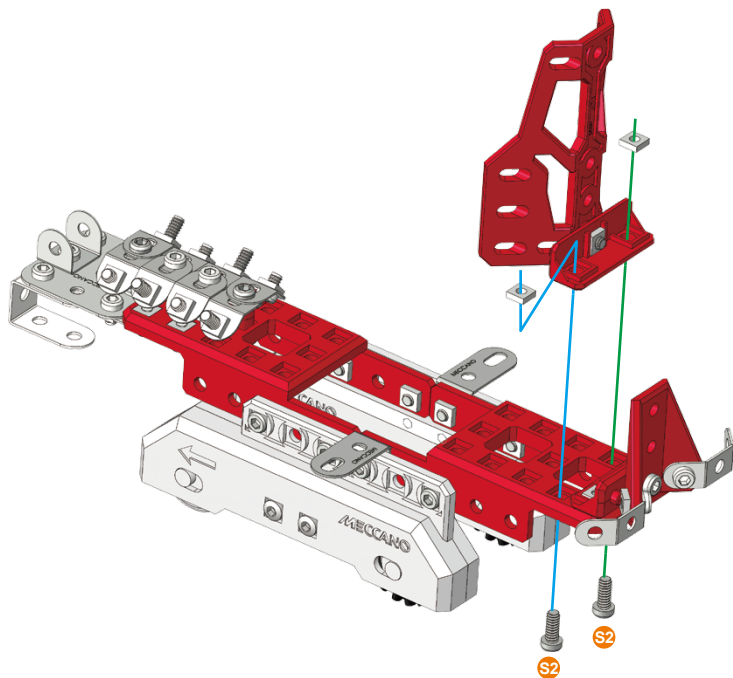
16**18****17****15 + 16 +**

19**17 + 18 +**

	S2 9,5 mm 3/8"	x2
		x2

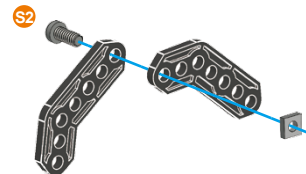





	S2	1:1
---	-----------	------------

**20**

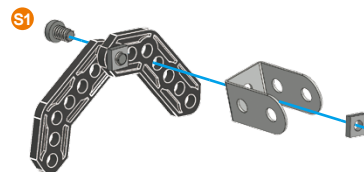
		x2
	S2 9,5 mm 3/8"	x1
		x1

	S2	1:1
--	-----------	------------




**21**

		x1
	S1 5,8 mm 15/64"	x1
		x1

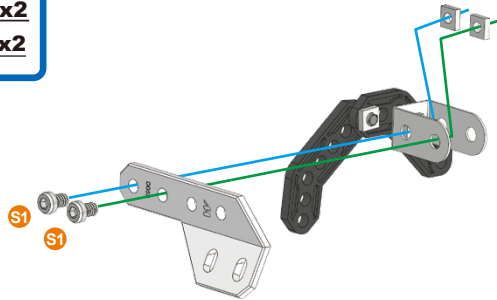
	S1	1:1
---	-----------	------------






22

-  x1
-  S1 | 5,8 mm | 15/64" | x2
-  x2

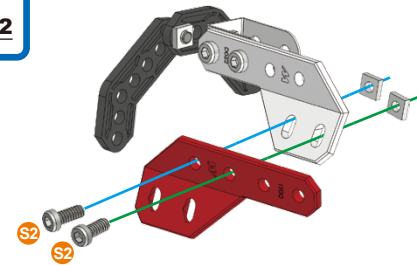
-  S1 | 1:1



23




-  x1
-  S2 | 9,5 mm | 3/8" | x2
-  x2

-  S2 | 1:1


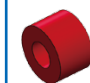


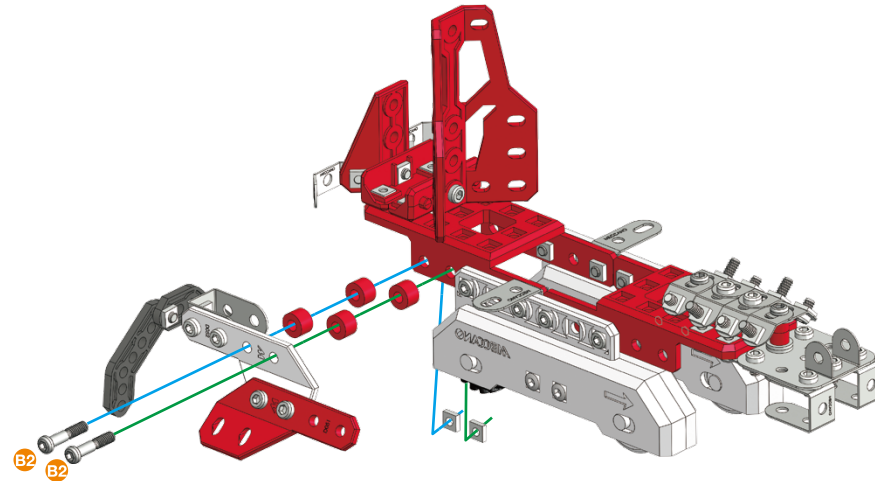
24

(19) + (23) +

-  B2 | 19 mm | 3/4" | x2
-  x4
-  x2



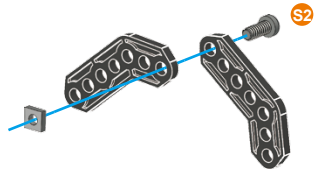
-  B2 | 1:1
-  A238






25

-  **x2**
-  **x1** | 9,5 mm | 3/8"
-  **x1**

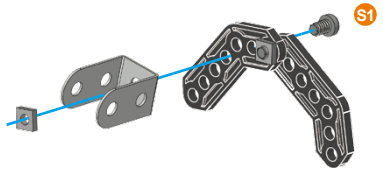
-  **x1** | 1:1






26

-  **x1**
-  **x1** | 5,8 mm | 15/64"
-  **x1**

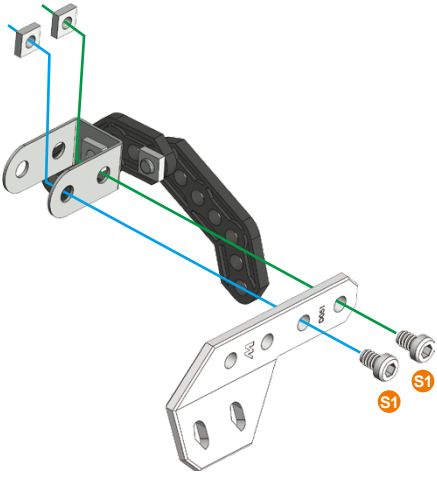
-  **x1** | 1:1



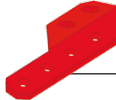


27

-  **x1**
-  **x2** | 5,8 mm | 15/64"
-  **x2**

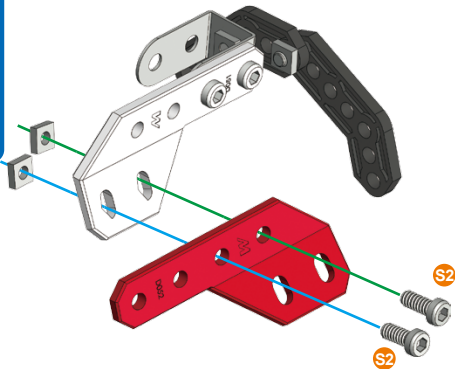
-  **x1** | 1:1



28




-  **x1**
-  **x2** | 9,5 mm | 3/8"
-  **x2**

-  **x1** | 1:1






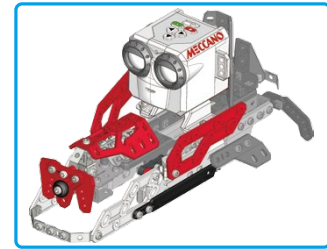
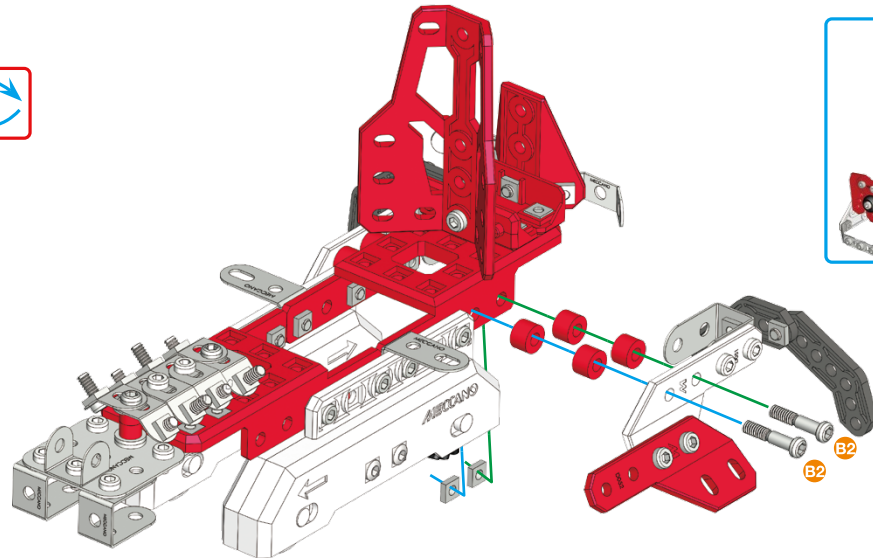
29

(24) + (28) +





-  **B2** | 19 mm | **x2**
3/4"
-  **x4**
-  **x2**



-  **B2**
-  **A238**
-  **1:1**






30

-  **x1**
-  **x1**
-  **S1** | 5,8 mm | **x1**
15/64"
-  **x1**

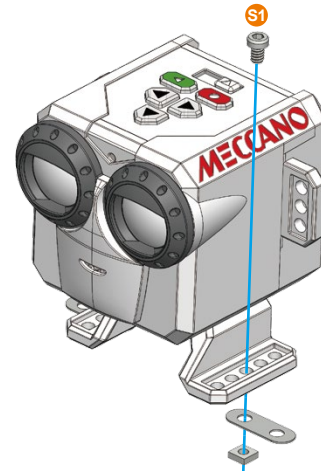
-  **S1** | **1:1**






31

-  **x1**
-  **S1** | 5,8 mm | **x1**
15/64"
-  **x1**

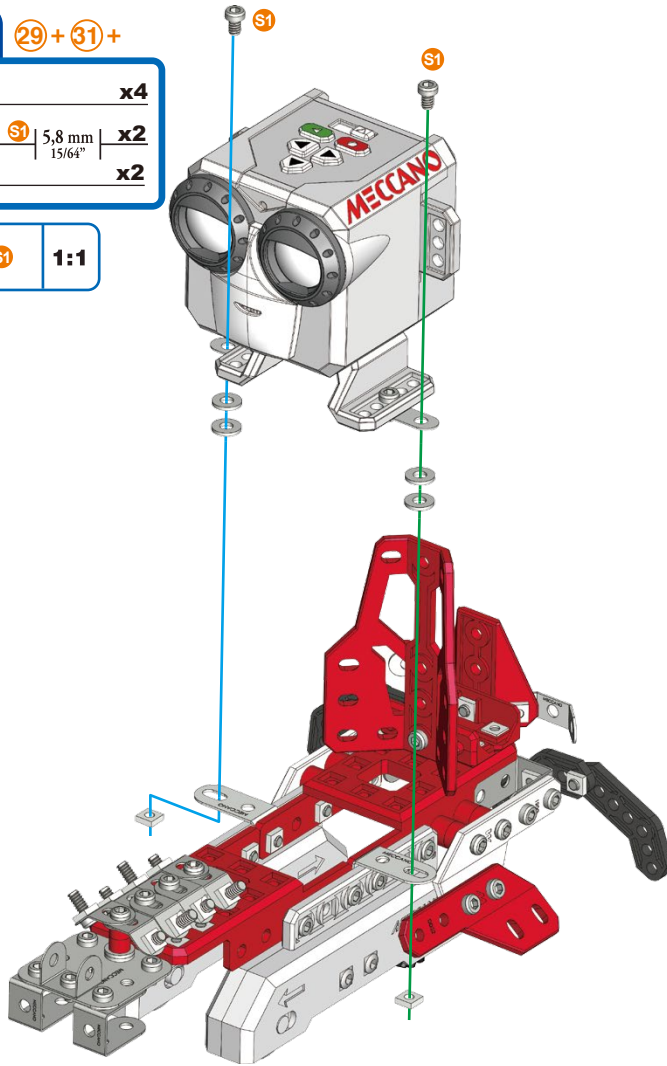
-  **S1** | **1:1**






32**(29) + (31) +**

	x4
 S1 5,8 mm 15/64"	x2
	x2

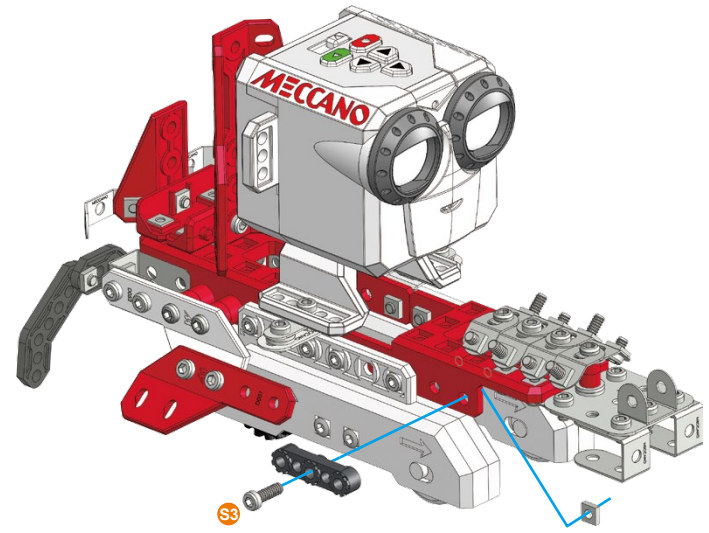
 S1	1:1
---	------------

**33**




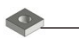
	x1
 S3 12 mm 1/2"	x1
	x1



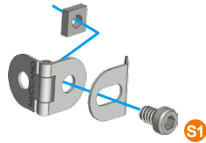
 S3	1:1
--	------------






34

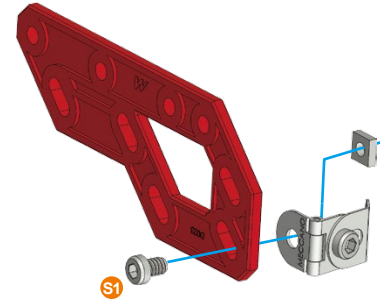
	x1
	x1
 S1	5,8 mm 15/64" x1
	x1

 S1	1:1
--	-----


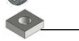
**35**

	x1
 S1	5,8 mm 15/64" x1
	x1

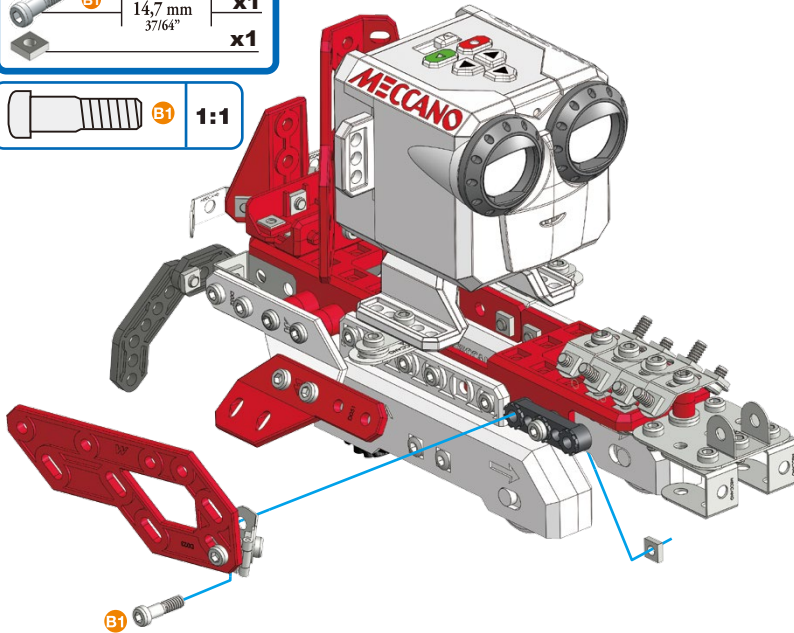
 S1	1:1
--	-----




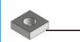
**36**

33 + 35 +

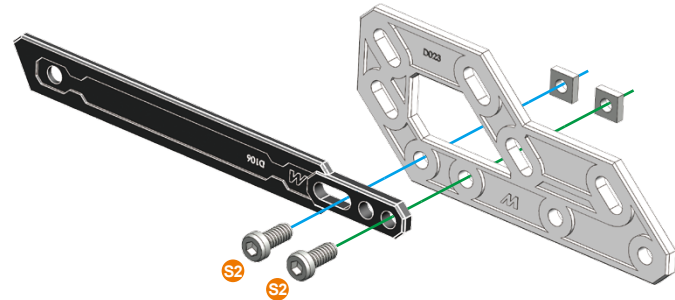
 B1	14,7 mm 37/64" x1
	x1

 B1	1:1
--	-----

**37**

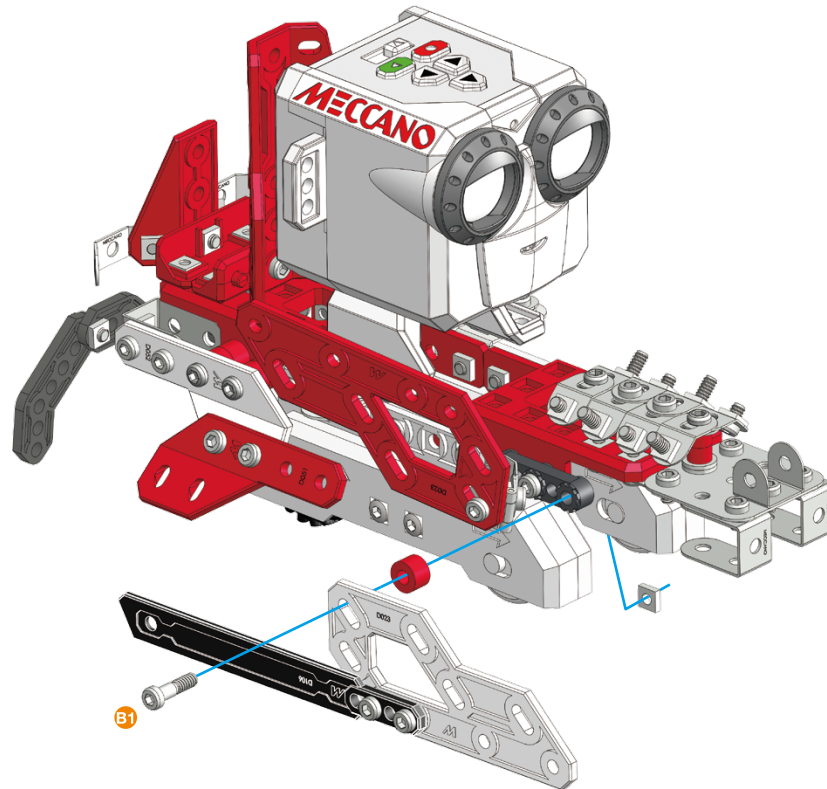
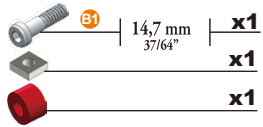
	x1
	x1
 S2	9,5 mm 3/8" x2
	x2

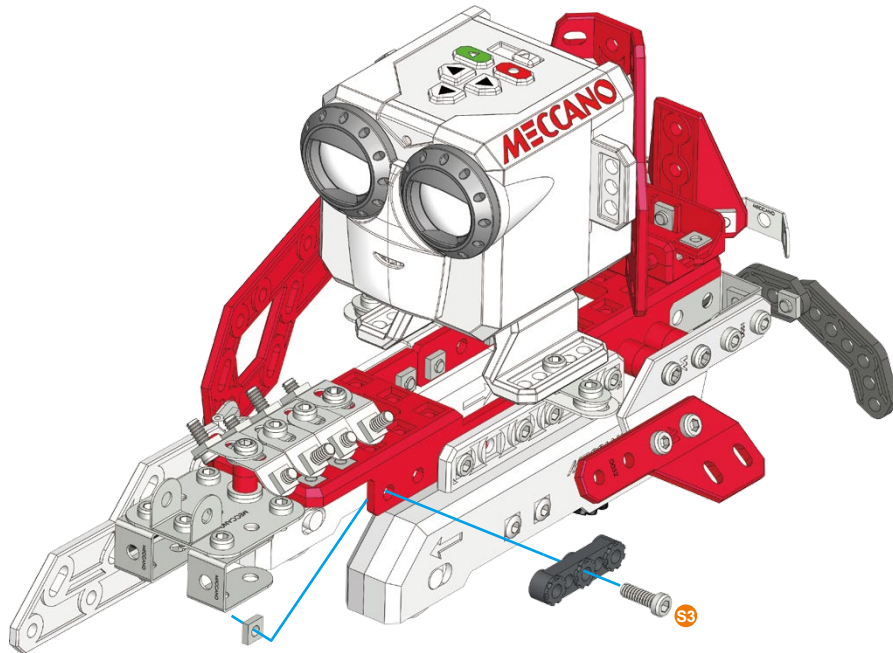
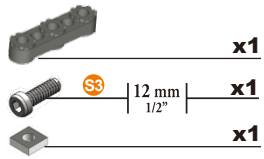
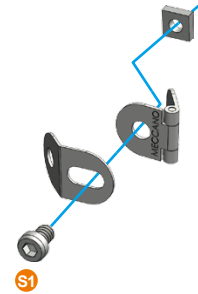
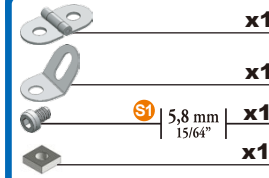
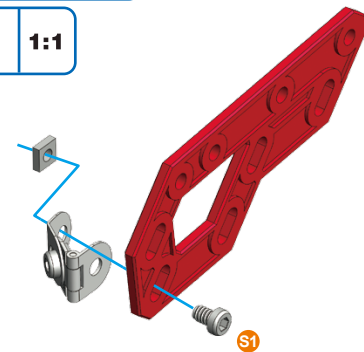
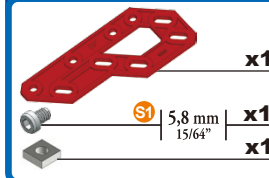
 S2	1:1
--	-----

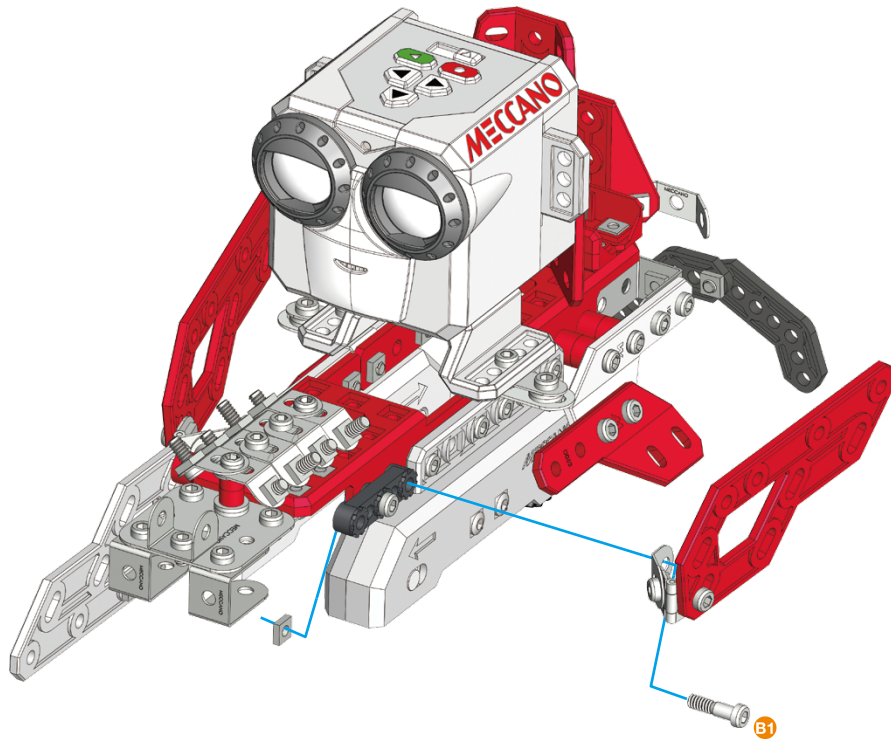
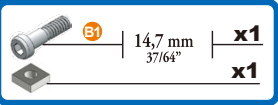
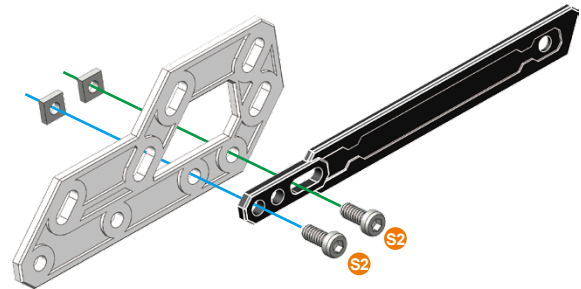
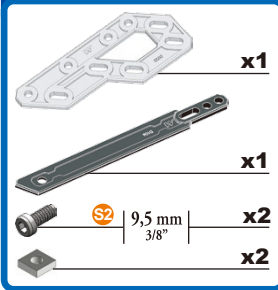


38




36 + 37 +




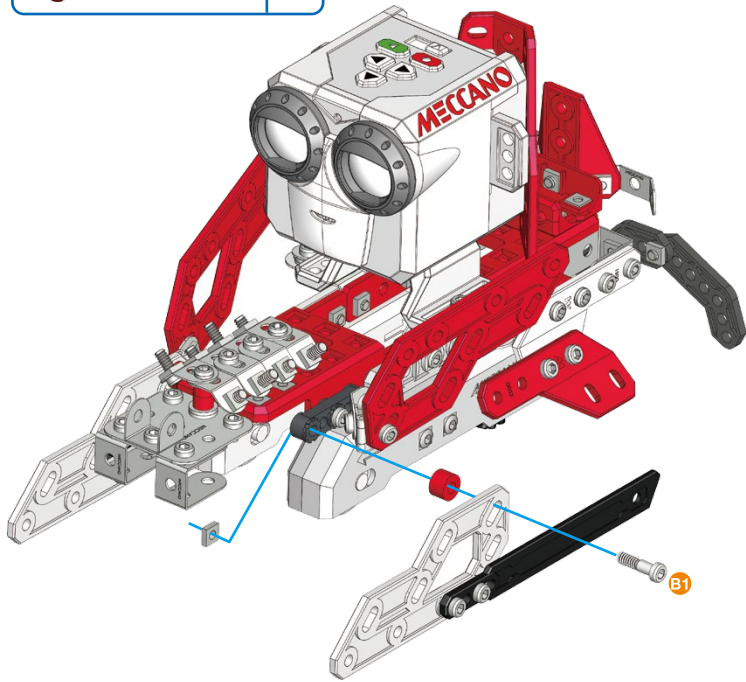
39**40****41**



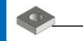
42**39 + 41 +****43**

44**42 + 43 +**

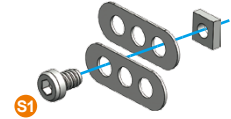
	14,7 mm 37/64"	x1
		x1
		x1




	B1	1:1
	A238	

**45**

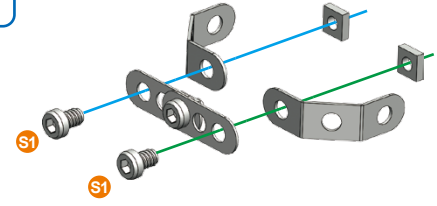
		x2
	5,8 mm 15/64"	x1
		x1

	S1	1:1
--	----	------------

**46**



		x2
	5,8 mm 15/64"	x2
		x2

	S1	1:1
--	----	------------

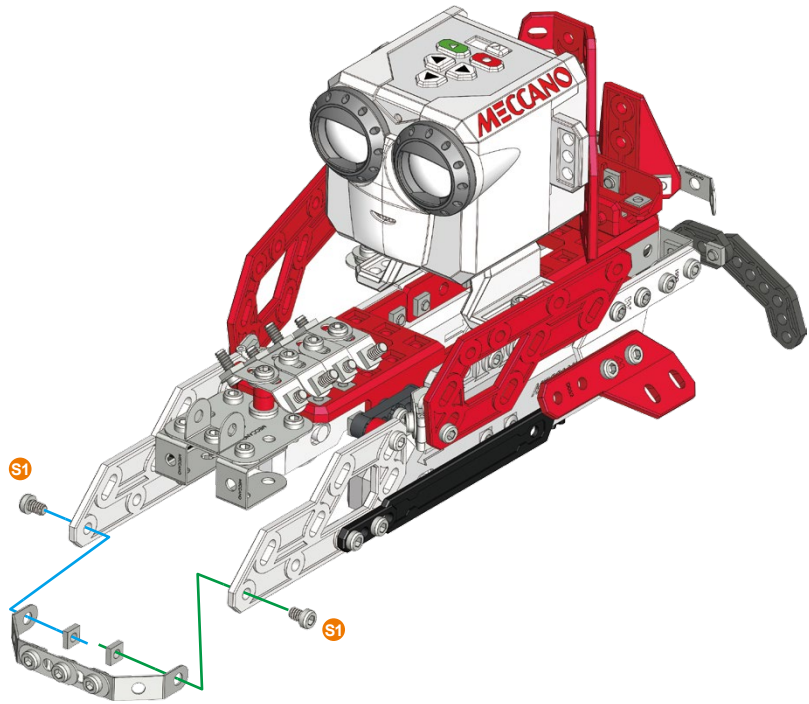


47




(44) + (46) +

-  5,8 mm | 15/64" x2
-  x2

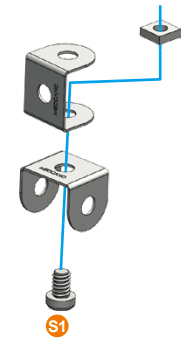
-  1:1







48

-  x2
-  5,8 mm | 15/64" x1
-  x1

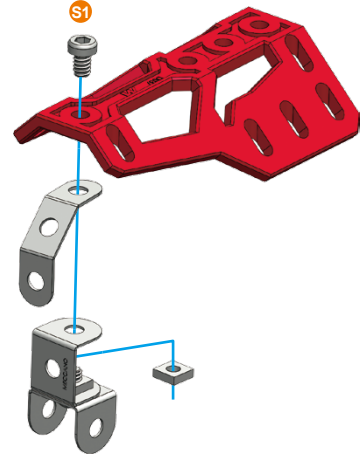
-  1:1

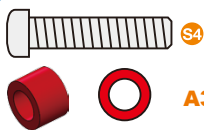


49

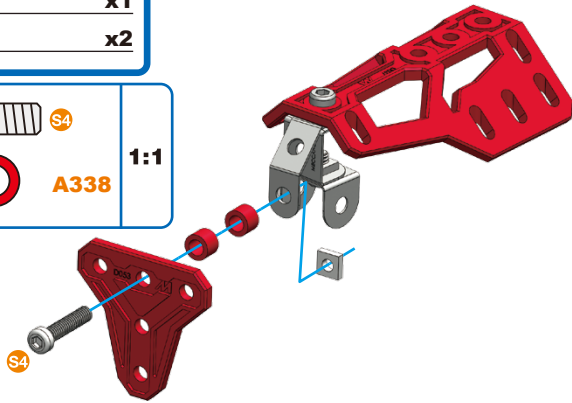
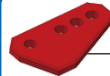
-  x1
-  x1
-  5,8 mm | 15/64" x1
-  x1

-  1:1



50**x1**19 mm
3/4"**x1****x1****x2**

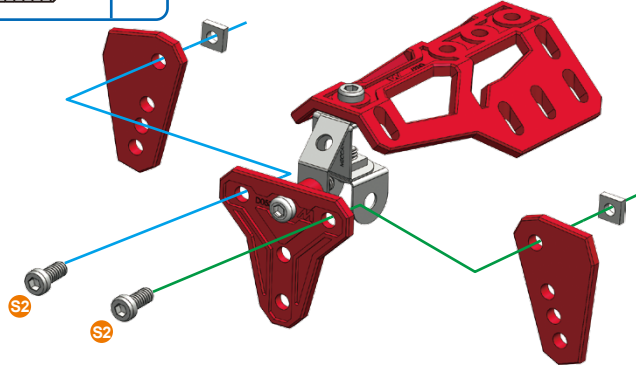
S4

1:1**A338****51****x2**

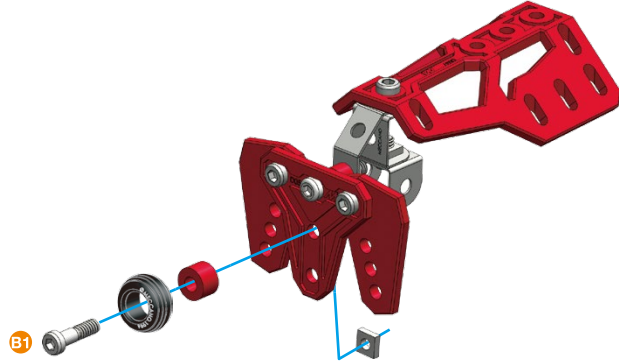
S2

9,5 mm
3/8"**x2****x2**

S2

1:1**52****x1**14,7 mm
37/64"**x1****x1****x1**

B1

**A238****1:1**

53

(47) + (52) +

