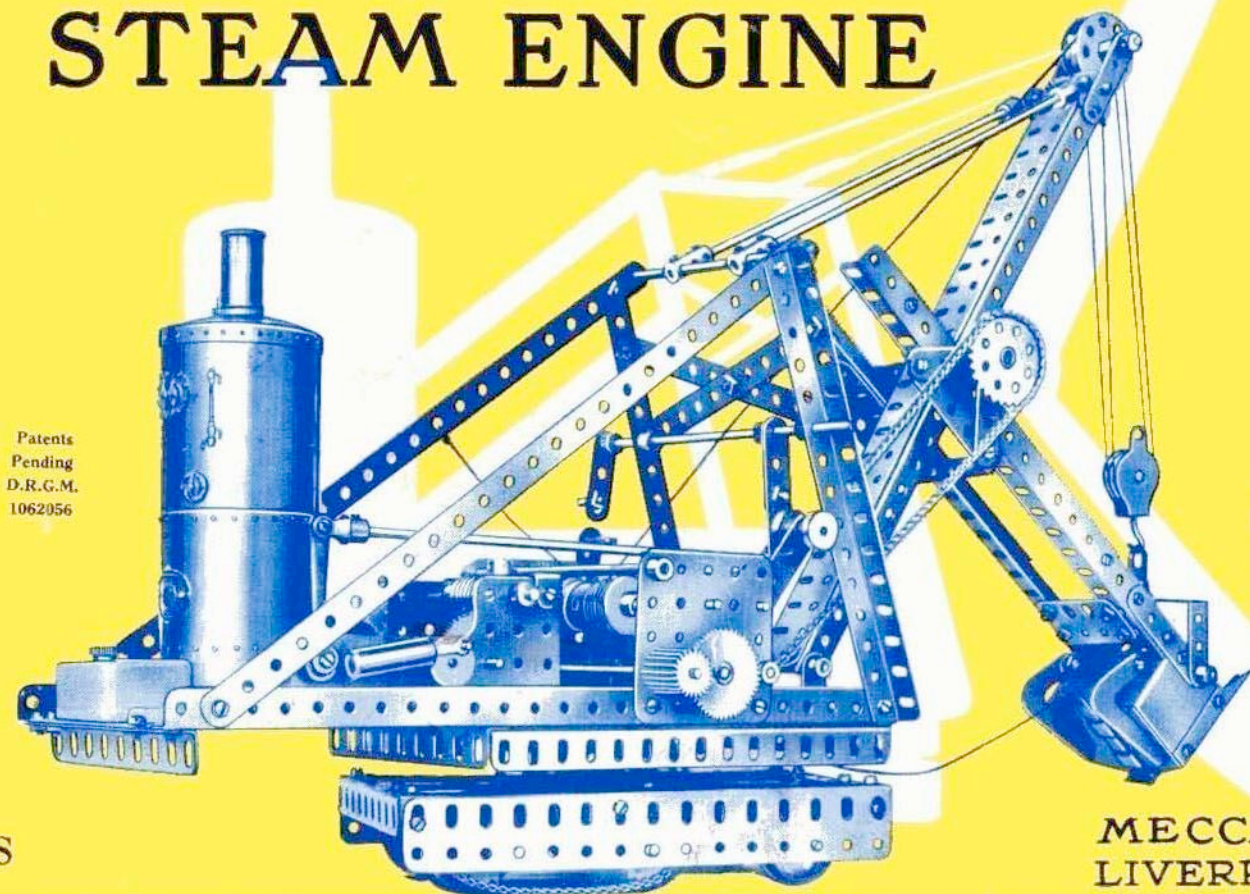


HOW TO USE THE  
**MECCANO**  
STEAM ENGINE



Patents  
Pending  
D.R.G.M.  
1062056

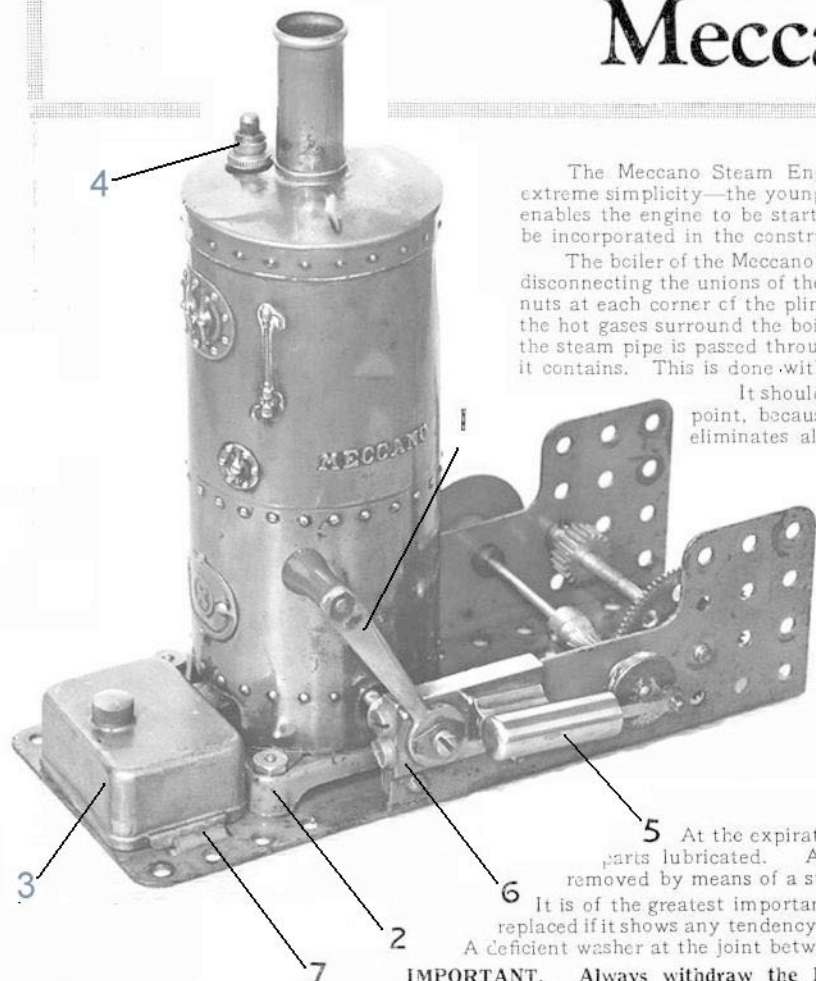
This Manual  
contains a  
Selection of  
Choice  
Meccano Models  
showing how  
simply and  
effectively the  
Meccano  
Steam Engine  
may be  
incorporated

Price  
1/-

298

MECCANO LIMITED  
LIVERPOOL-ENGLAND

# How to Operate the Meccano Steam Engine



The Meccano Steam Engine possesses several features of exceptional interest, foremost among which is its extreme simplicity—the youngest boy can operate it with ease. A single control lever (marked 1 in the illustration) enables the engine to be started, stopped and reversed. Another important feature is the ease with which it may be incorporated in the construction of Meccano models.

The boiler of the Meccano engine has a remarkable steam-raising capacity, and this is due to its construction. By disconnecting the unions of the steam and exhaust pipes, by means of the special spanners supplied, and undoing the nuts at each corner of the plinth (2) the boiler may be removed from the rest of the engine. It will then be seen how the hot gases surround the boiler for practically the whole of its outside surface. A further important point is that the steam pipe is passed through the firebox in order that the steam may be superheated and deprived of the water it contains. This is done with real steam engines, and its effect is to make considerably more power available.

It should next be noted that the lamp container (3) is outside the firebox. This is an important point, because it prevents the spirit from becoming heated and boiling over, and thus entirely eliminates all danger from fire. The container is held firmly in position by clips.

## HOW TO START THE ENGINE

The first step is to make sure that the cylinder, the reversing block on which it oscillates, and the bearings of the crankshaft are thoroughly well lubricated. Then the safety valve should be unscrewed and examined to make sure that the valve is not sticking to its seat.

The boiler is filled with the aid of the funnel supplied, the gauge cock (not visible in the illustration) in the meantime being left open to allow air to escape, and also to indicate when the water commences to flow from the gauge cock. The cock is now closed by means of the special spanner, and the safety valve replaced.

The lamp is next filled with methylated spirit, the wick is lighted, and the lamp placed in position. Care should be taken to ensure that the lugs on the lamp container engage the clips (7) on the bed-plate. No attempt should be made to start the engine until a good head of steam has been obtained.

## HINTS ON CARE AND UPKEEP

5 At the expiration of each run the water should be drained out of the boiler and the various moving parts lubricated. After a period of service the barrel will become coated with soot, which should be removed by means of a stiff brush.

6 It is of the greatest importance that the safety valve should receive regular attention, and the washer should be replaced if it shows any tendency to stick to its seat. The stem of the valve should be given a drop of oil occasionally. A deficient washer at the joint between the valve body and the boiler is often the cause of serious loss of steam.

**IMPORTANT.** Always withdraw the lamp immediately the engine begins to slow down or stops, to obviate the possibility of "boiling dry." Always fill the boiler to the correct level when refilling the lamp.

# Driving Models with the Meccano Steam Engine

The Meccano Steam Engine is capable of driving almost any Meccano model, provided that the intermediate gearing is designed and constructed properly. No matter what type of model is to be driven, the Engine should always be allowed to rotate at maximum speed. This means that if it is required to operate a slow-moving model, a gear that will provide a considerable reduction in speed must be employed.

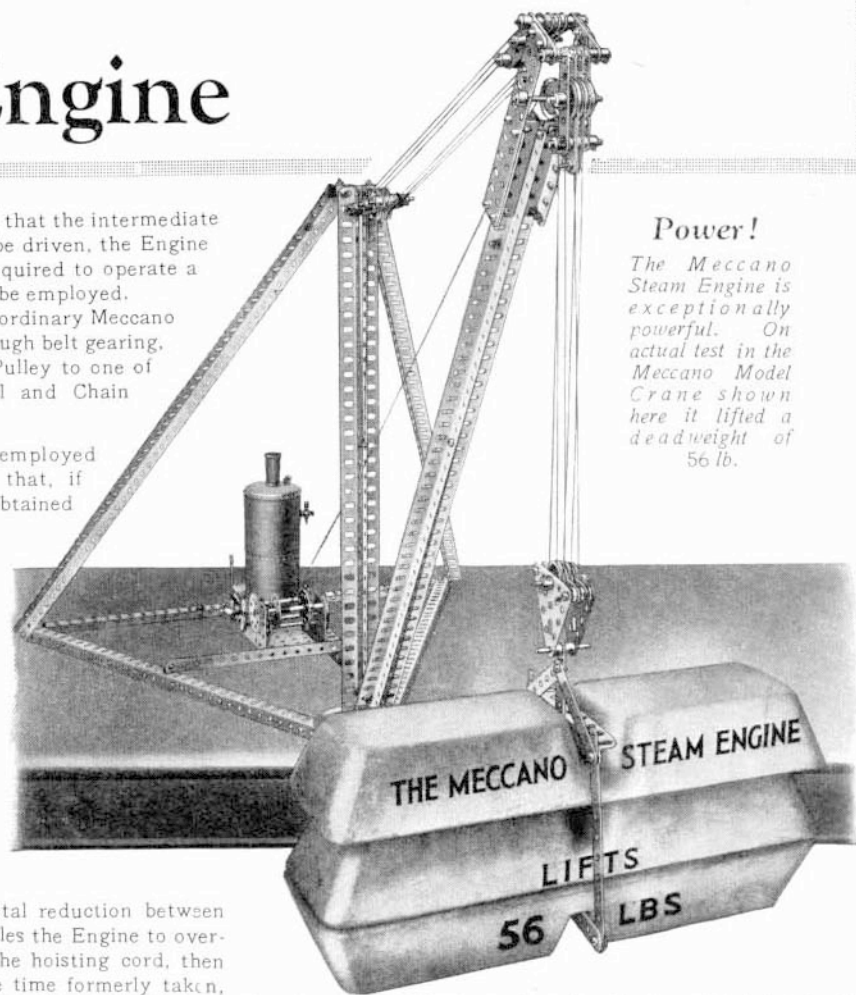
The simplest means of obtaining the necessary reduction is, of course, provided by the ordinary Meccano gearing. If gears are not available the drive from the Engine can be transmitted through belt gearing, and the speed can be reduced at the same time by taking the drive from a small Pulley to one of much larger diameter (see Models Nos. S3, S4, S6, S18, etc.). Sprocket Wheel and Chain gearing may, of course, be used equally well in place of belts.

**How to Cope with Heavy Loads** Whatever type of gearing is employed it is important to remember that, if the driven shaft moves more slowly than the driving shaft, a mechanical advantage is obtained

and increased loads may be overcome, the apparent gain in power being roughly in proportion to the loss in speed. If the drive is led through 1 : 1 gearing (i.e., two Gears of equal size meshing together or two Pulleys of equal diameter connected by a belt), there is no gain in power to counteract the loss through friction. Such gearing should therefore be avoided as far as possible, and when it is necessary to transmit the power from one point to another, the gearing should always result in some reduction in speed in the driven shaft, unless it happens that speed is a more important consideration than power.

**Correct Gearing** Numerous examples of the different types of gearing that should be employed in connection with the Steam Engine will be found in this manual. In Model No. S13, Steam

Capstan, the winding drum, which is mounted on a vertical axis, is required to rotate fairly slowly, so that it may overcome considerable loads. Consequently on the secondary Engine shaft, which is driven from the  $\frac{1}{2}$ " Pinion on the crankshaft, a Worm is mounted and engaged with a Pinion on the winding drum shaft. A Worm and Pinion provide a speed ratio of 19 : 1; hence the total reduction between the crankshaft and the winding shaft is 57 : 1. The use of pulley blocks also enables the Engine to overcome increased loads. For example, if a crane can lift 10 lbs. coupled directly to the hoisting cord, then by using a single-sheave pulley block, so that the load is raised in just twice the time formerly taken, the model should be capable of lifting 20 lbs. (not allowing for loss through friction). Similarly, if a two-sheave pulley block is used so that the crane hook is raised in four times the period occupied originally, then a load of nearly 40 lbs. could be raised. Therefore the mechanical advantage is "2" and "4" respectively in these examples.



## Power!

*The Meccano Steam Engine is exceptionally powerful. On actual test in the Meccano Model Crane shown here it lifted a deadweight of 56 lb.*

## MECCANO STEAM-DRIVEN MODELS

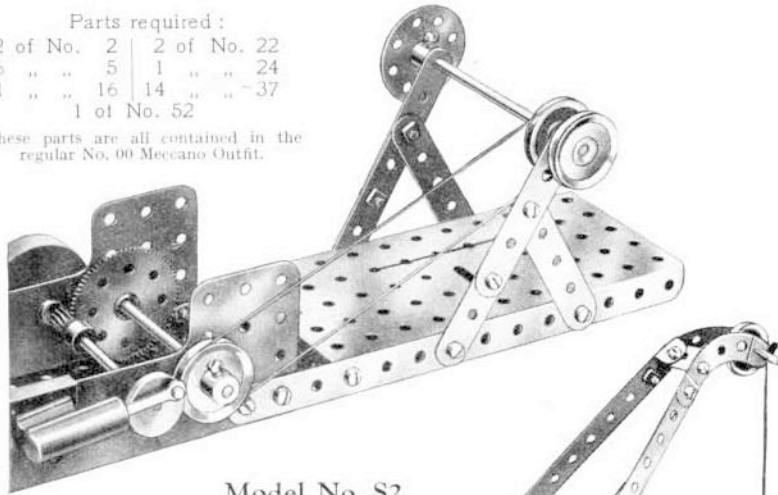
In Models Nos. S1, S3, and S4, the side plates only of the Engine are shown

## Model No. S1 Steam Buffing Spindle

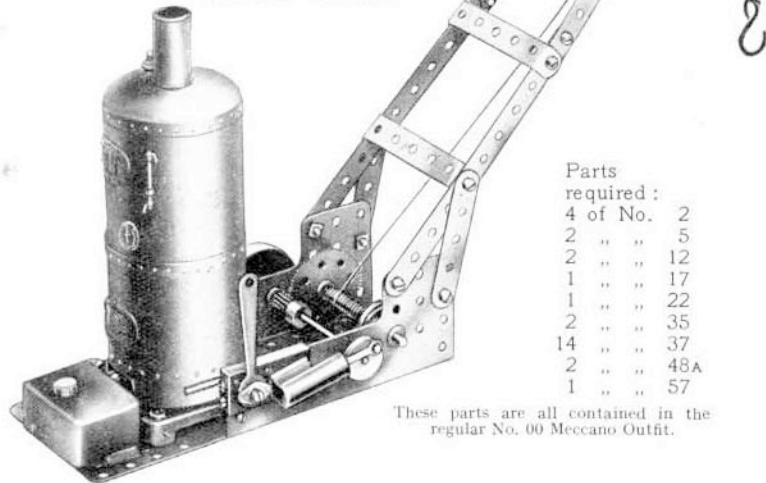
Parts required:

2 of No. 2	2 of No. 22
6 " " 5	1 " " 24
1 " " 16	14 " " -37
1 of No. 52	

These parts are all contained in the regular No. 00 Meccano Outfit.



## Model No. S2 Steam Crane



Parts

required:

4 of No. 2
2 " " 5
2 " " 12
1 " " 17
1 " " 22
2 " " 35
14 " " 37
2 " " 48A
1 " " 57

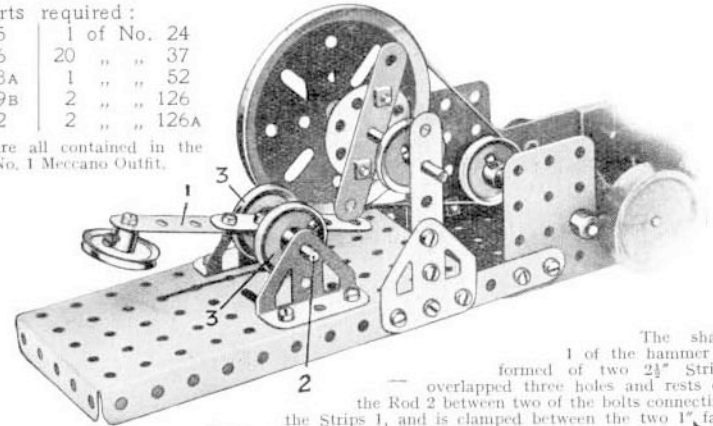
These parts are all contained in the regular No. 00 Meccano Outfit.

## Model No. S3 Steam Trip Hammer

Parts required:

7 of No. 5	1 of No. 24
1 " " 16	20 " " 37
1 " " 18A	1 " " 52
1 " " 19B	2 " " 126
4 " " 22	2 " " 126A

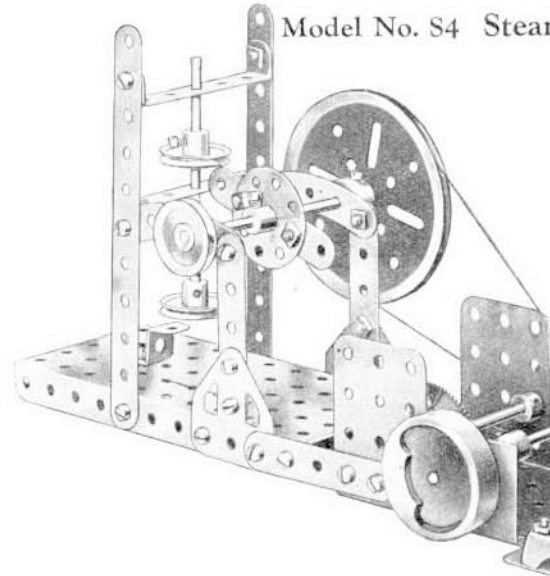
These parts are all contained in the regular No. 1 Meccano Outfit.



Pulleys 3.

The shaft  
1 of the hammer is  
formed of two 2 1/2" Strips  
— overlapped three holes and rests on  
the Rod 2 between two of the bolts connecting  
the Strips 1, and is clamped between the two 1" fast

## Model No. S4 Steam Ore Crusher



Parts

required:

2 of No. 2
2 " " 3
5 " " 5
1 " " 19B
3 " " 22
1 " " 23
1 " " 24
21 " " 37
2 " " 48A
1 " " 52
2 " " 90
1 " " 124
2 " " 126A

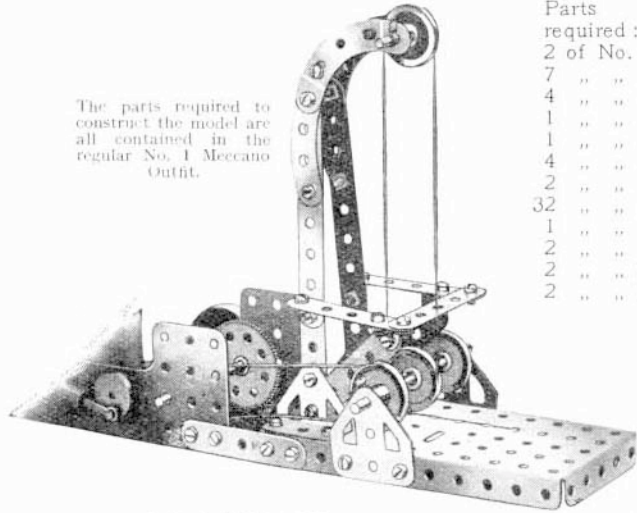
These parts are all contained in the regular No. 1 Meccano Outfit.

In Models Nos. S5, S7, S8 the side plates only of the Engine are shown

## Model No. S5 Steam Band Saw

The parts required to construct the model are all contained in the regular No. 1 Meccano Outfit.

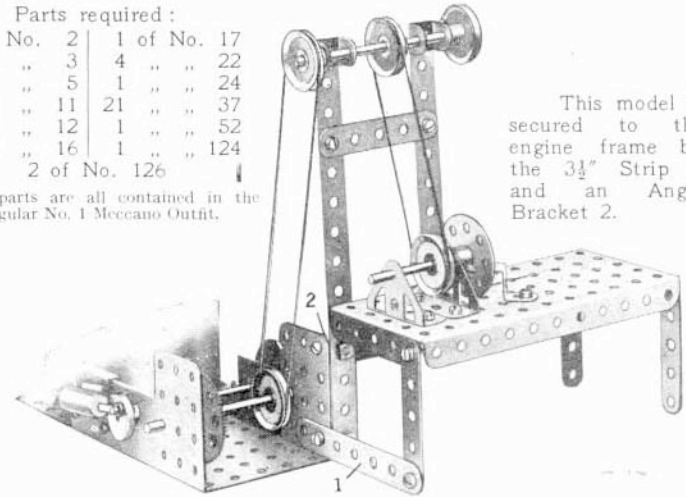
Parts required:
2 of No. 2
7 " " 5
4 " " 12
1 " " 16
1 " " 18A
4 " " 22
2 " " 35
32 " " 37
1 " " 52
1 " " 90
2 " " 126
2 " " 126A



## Model No. S7 Steam Bench Lathe

Parts required:	
3 of No. 2	1 of No. 17
1 " " 3	4 " " 22
4 " " 5	1 " " 24
2 " " 11	21 " " 37
2 " " 12	1 " " 52
1 " " 16	1 " " 124
2 of No. 126	

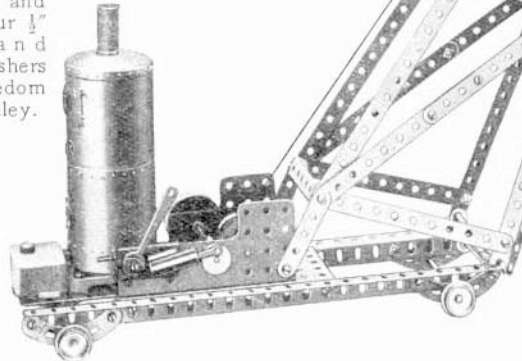
These parts are all contained in the regular No. 1 Meccano Outfit.



This model is secured to the engine frame by the 3 1/2" Strip 1 and an Angle Bracket 2.

## Model No. S6 Portable Steam Crane

Little difficulty will be experienced in the construction of this interesting model. The pulley block 1 is described in S.M. 35 and requires four 1/4" Bolts and spacing Washers to give freedom to the Pulley.



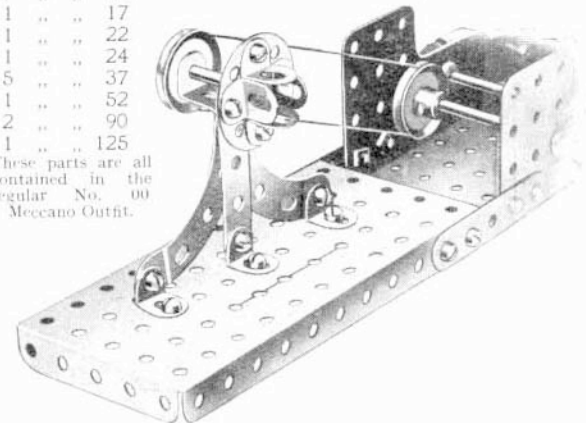
Parts required:	
6 of No. 1	1 of No. 23
10 " " 2	2 " " 35
2 " " 3	56 " " 37
3 " " 5	1 " " 37A
4 " " 8	8 " " 38
1 " " 11	1 " " 48
2 " " 12	2 " " 48A
1 " " 15A	1 " " 52
2 " " 16	1 " " 57
1 " " 18A	4 " " 90
4 " " 20B	4 " " 111A
1 " " 22	2 " " 126A

These parts are all contained in the regular No. 2 Meccano Outfit with the exception of 4 of 111A.

## Model No. S8 Steam-driven Scrap Reel

Parts required:
3 of No. 5
7 " " 12
1 " " 17
1 " " 22
1 " " 24
15 " " 37
1 " " 52
2 " " 90
1 " " 125

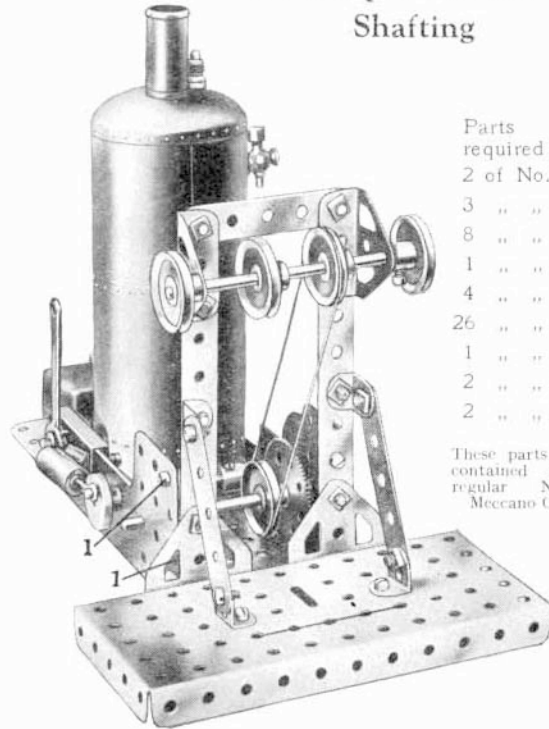
These parts are all contained in the regular No. 00 Meccano Outfit.



## MECCANO STEAM-DRIVEN MODELS

In Models Nos. S10 and S11 the side plates only of the Engine are shown

### Model No. S9 Steam-operated Pulley Shafting



Parts  
required:

2 of No.	2
3 " "	5
8 " "	12
1 " "	16
4 " "	22
26 " "	37
1 " "	52
2 " "	126
2 " "	126A

These parts are all  
contained in the  
regular No. 1  
Meccano Outfit.

This model is secured to the end of the engine frame by two Angle Brackets 1 at each side, the elongated holes of the Brackets being connected to the frame.

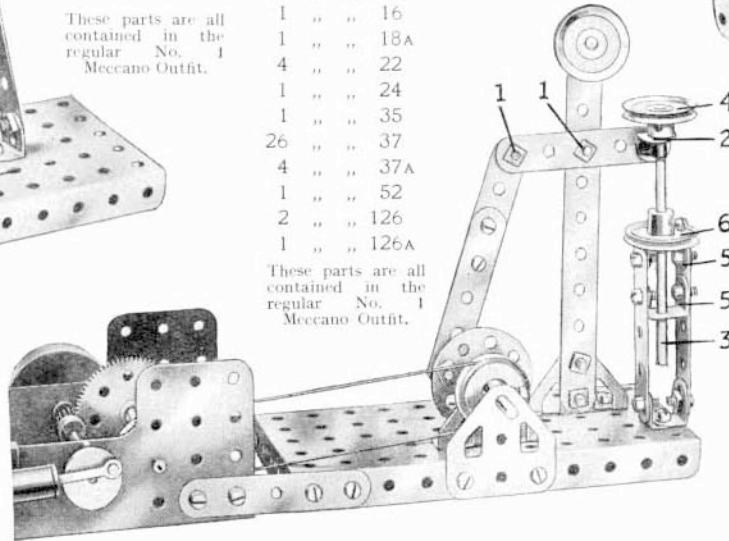
### Model No. S10 Steam Pump

The Bolts 1 and the Angle Brackets 2 are pivotally attached and lock-nutted so as to give free movement. The Rod 3 is connected to the 1" Pulley Wheel 4 and moves freely through the elongated hole of the Angle Bracket 2 and the Double Brackets 5. The 1" Pulley 6 is not secured to the Rod 3 and does not move with it.

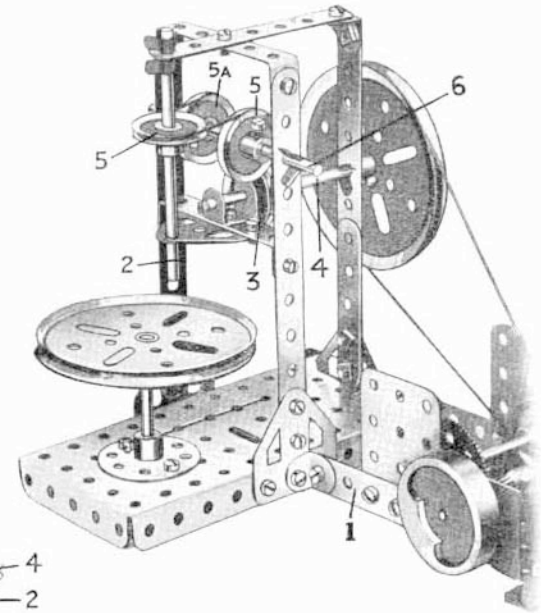
Parts  
required:

1 of No.	2
7 " "	5
2 " "	11
3 " "	12
1 " "	16
1 " "	18A
4 " "	22
1 " "	24
1 " "	35
26 " "	37
4 " "	37A
1 " "	52
2 " "	126
1 " "	126A

These parts are all  
contained in the  
regular No. 1  
Meccano Outfit.



### Model No. S11 Steam Drilling Machine



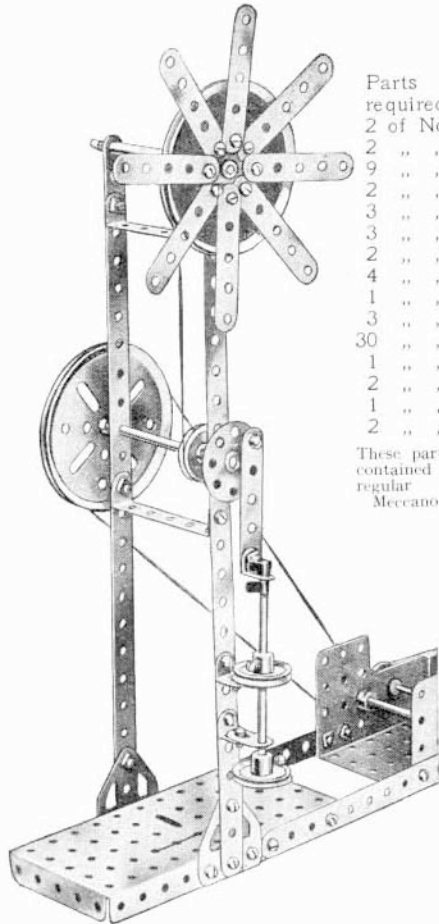
Parts required:

4 of No.	2	3 of No.	16	27 of No.	37
1 " "	3	1 " "	17	2 " "	48A
1 " "	5	2 " "	19B	1 " "	52
1 " "	11	4 " "	22	1 " "	126
2 " "	12	1 " "	24	2 " "	126A
		5 " "	35		

These parts are all contained in the regular No. 1 Meccano Outfit.

This model is secured to the engine frame by means of an Angle Bracket and a 2½" Strip 1 on each side. The drill 2 is operated through the 1" fast Pulley 3 secured to the Rod 4 and the three 1" fast Pulleys 5 and 5a by a cord passing around all four Pulleys. The Pulley 5a should run freely on the Rod 6.

Model No. S12  
Steam-Driven Windmill Pump



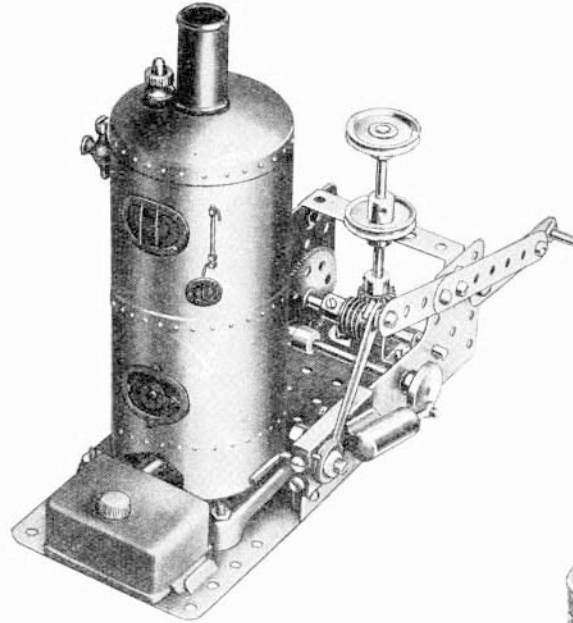
Parts required :

2 of No.	1
2	2
9	5
2	10
3	12
3	16
2	19B
4	22
1	24
3	35
30	37
1	37A
2	48A
1	52
2	126A

These parts are all contained in the regular No. 1 Meccano Outfit.

In Model No. S12 the side plates only of the Engine are shown

Model No. S13 Steam Capstan      Model No. S14 Swivelling Steam Crane



This is a model of an apparatus designed for mounting on the decks of ships. Sometimes steam is supplied from the main boiler, but frequently a separate boiler unit is fitted as in the model.

Parts required :

1 of No.	3	9 of No.	37
2	5	3	37A
1	16	1	45
2	22	1	48A
1	26A	1	59
1	32	1	115

Steam Engines

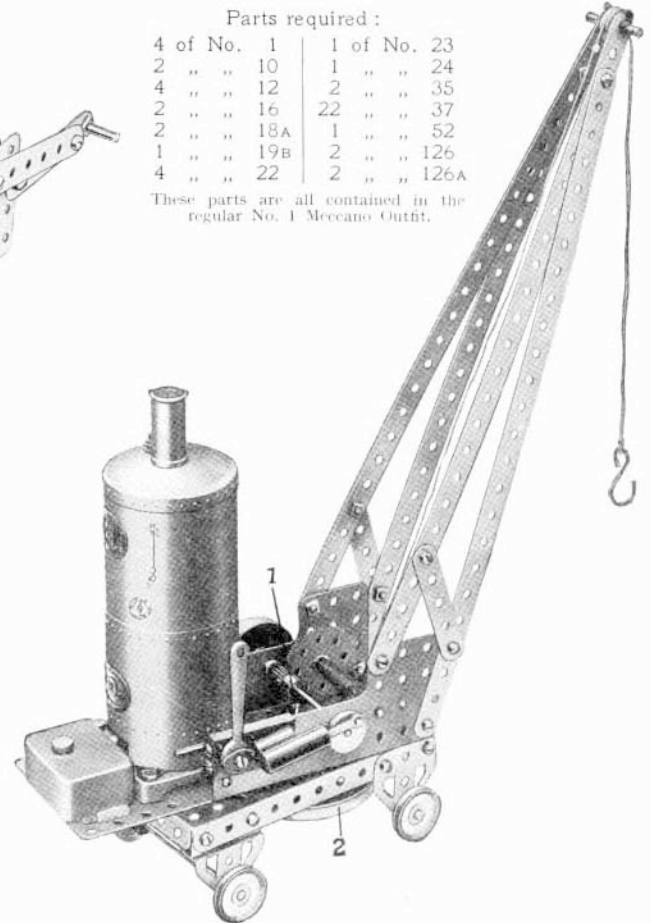
The parts required for this model are contained in the regular No. 3 Meccano Outfit.

The crane swivels around the Rod 1, which is passed through the base of the engine frame and is secured above by a Bush Wheel, and below by a 3" Pulley Wheel 2.

Parts required :

4 of No.	1	1 of No.	23
2	10	1	24
4	12	2	35
2	16	22	37
2	18A	1	52
1	19B	2	126
4	22	2	126A

These parts are all contained in the regular No. 1 Meccano Outfit.



## MECCANO STEAM-DRIVEN MODELS

In Model No. S16 the side plates only of the Engine are shown

### Model No. S15 Steam-Driven Pit Head Gear

Parts required :

6 of No. 1	2 of No. 19B
4 " " 1B	3 " " 22
1 " " 2	2 " " 26
12 " " 5	1 " " 27A
2 " " 7	102 " " 37
2 " " 7A	6 " " 38
4 " " 8	2 " " 48B
2 " " 9	4 " " 52
12 " " 12	4 " " 53
4 " " 13A	16 " " 59
1 " " 14	2 " " 98
2 " " 15	4 " " 99
1 " " 16B	5 " " 100
1 of No. 100A	

These parts are all contained in the regular No. 4 Meccano Outfit with the exception of:—

4 of No. 1B	1 of No. 16A
2 " " 7	2 " " 52
2 " " 7A	6 " " 59
3 " " 13A	1 " " 98
1 of No. 100A	

12 is a  $5\frac{1}{2}'' \times \frac{1}{2}''$  Double Angle Strip to which four  $8''$  Rods 13 are secured by Collars above the Strip 12 and below the Flanged Plate 10. Two gates 14 composed of  $2\frac{1}{2}''$  Braced Girders move slidably up and down the Rods 13 by means of Angle Brackets. A further Angle Bracket 15 is secured to the lower end of each of the gates so that as either cage enters the housing it automatically comes into contact with the Brackets 15 and raises either one or other gate. A  $4\frac{1}{2}''$  Braced Girder 16 is secured by Angle Brackets to the base 10 to form a barrier.

If this model be operated from the end of a table the upper ends of the guides 17 may be secured to the  $5\frac{1}{2}''$  Strip 18 and the lower ends to the floor or other suitable fastening.

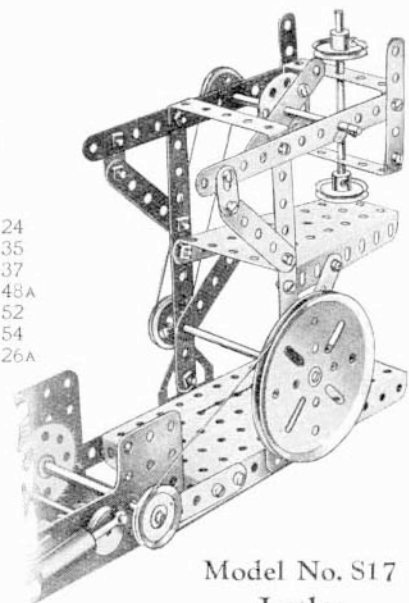
The cages 19 are raised or lowered from the drums 20 and 20A. These are driven through the shaft 21 on which is mounted a  $\frac{1}{2}''$  Pinion (on the outer side of the engine frame) meshed with the 27-toothed Gear 22 and through another  $\frac{1}{2}''$  Pinion on the shaft operating the drum 20A meshing with a further  $\frac{1}{2}''$  Pinion 24 operating the drum 20. The drums work in opposite directions and cause one of the cages to rise while the other is lowered, according to the direction in which the engine is running.

### Model No. S16 Steam Drop Hammer

Parts required :

4 of No. 2	1 of No. 24
9 " " 5	1 " " 35
2 " " 10	29 " " 37
3 " " 16	3 " " 48A
1 " " 19B	1 " " 52
4 " " 22	1 " " 54
1 " " 23	2 " " 126A

These parts are all contained in the regular No. 1 Meccano Outfit.



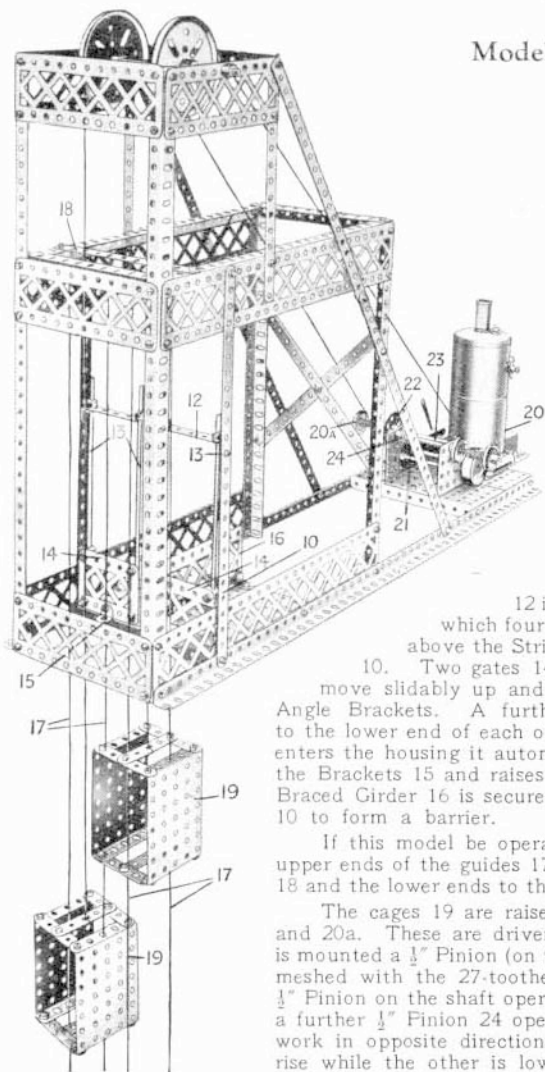
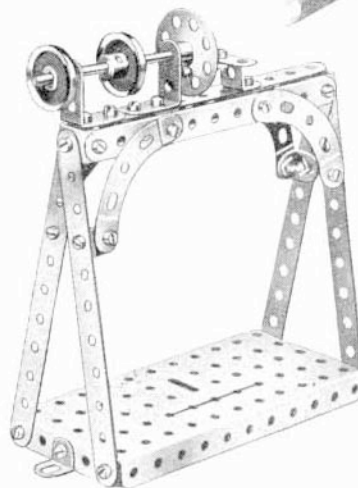
### Model No. S17 Lathe

This is another model suitable for inclusion in the model Workshop (No. S18).

Parts required :

7 of No. 2
1 " " 6A
4 " " 11
6 " " 12
2 " " 12A
2 " " 22
1 " " 24
30 " " 37
1 " " 52
4 " " 90
1 " " 125

These parts are all contained in the regular No. 2 Meccano Outfit.



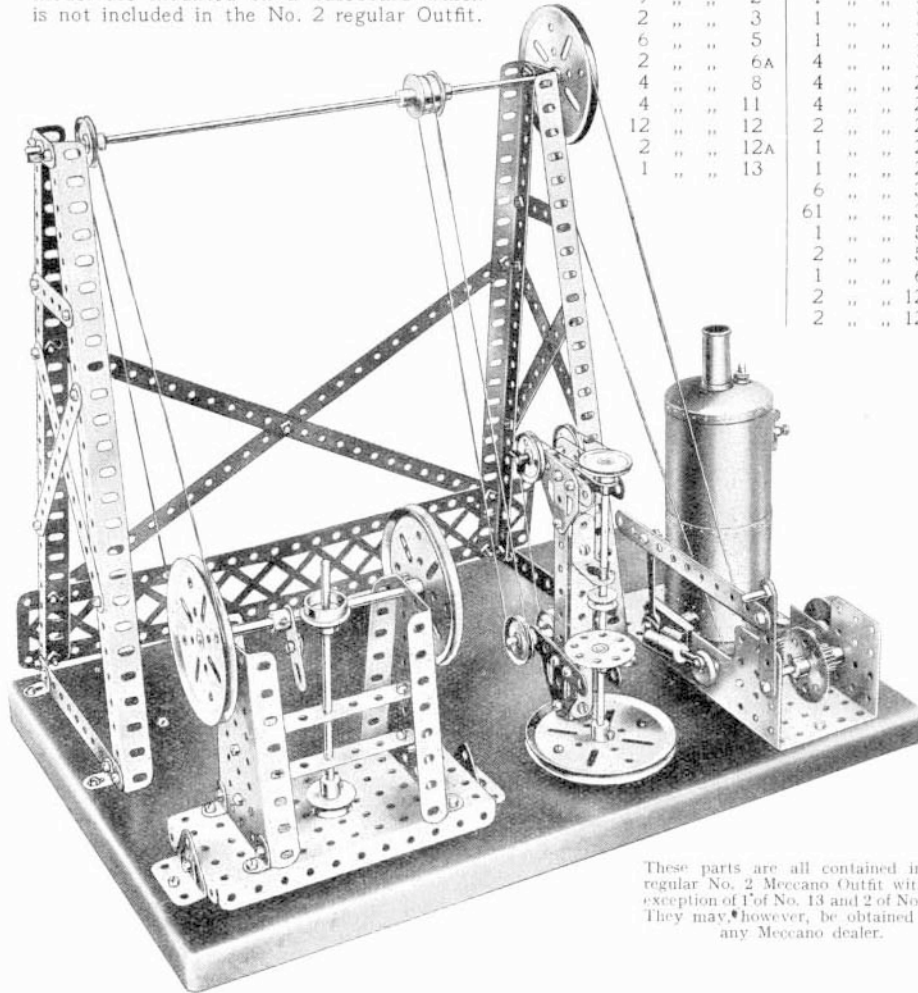


Model No. S18 Steam-operated Model Workshop

The shafting standard, drilling machine, and automatic stamp comprised in this model are mounted on a baseboard which is not included in the No. 2 regular Outfit.

Parts required :

2 of No. 1	2 of No. 15A
9 " " 2	1 " " 16
2 " " 3	1 " " 17
6 " " 5	1 " " 18A
2 " " 6A	4 " " 19B
4 " " 8	4 " " 20B
4 " " 11	4 " " 22
12 " " 12	2 " " 22A
2 " " 12A	1 " " 23
1 " " 13	1 " " 24
	6 " " 35
	61 " " 37
	1 " " 52
	2 " " 54
	1 " " 62
	2 " " 126
	2 " " 126A



These parts are all contained in the regular No. 2 Meccano Outfit with the exception of 1 of No. 13 and 2 of No. 22A. They may, however, be obtained from any Meccano dealer.

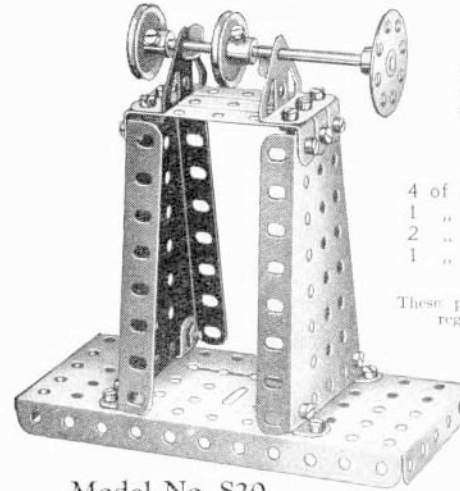
Model No. S19 Polishing Spindle

This is a simple model that may be included with advantage in the model Workshop.

Parts required :

4 of No. 12	2 of No. 35
1 " " 16	20 " " 37
2 " " 22	3 " " 48A
1 " " 24	1 " " 52
	2 of No. 54

These parts are all contained in the regular No. 2 Meccano Outfit.



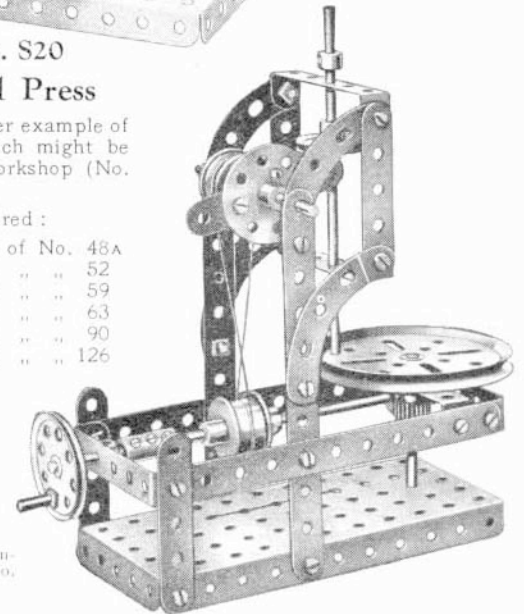
Model No. S20 Auto Dial Press

This is a further example of a small model which might be included in the Workshop (No. S18).

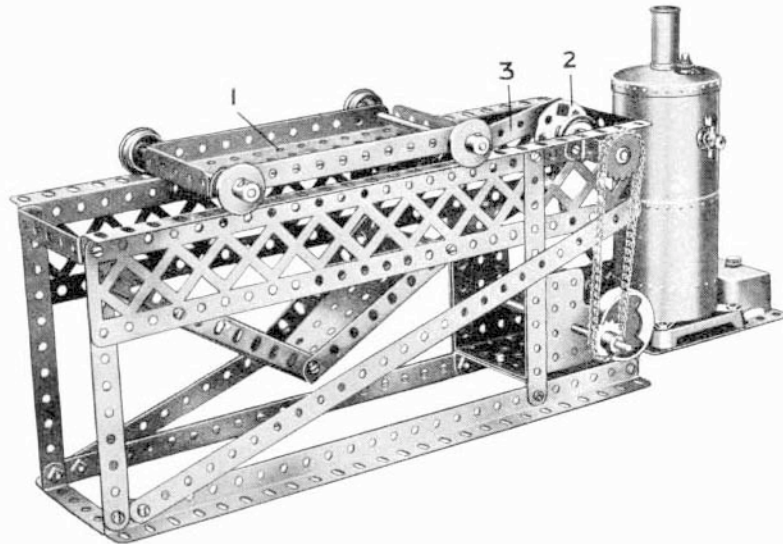
Parts required :

4 of No. 2	5 of No. 48A
5 " " 5	1 " " 52
2 " " 15	3 " " 59
1 " " 16	1 " " 63
1 " " 17	4 " " 90
1 " " 18A	2 " " 126
1 " " 19B	
4 " " 20B	
1 " " 21	
1 " " 22	
1 " " 24	
1 " " 26	
1 " " 32	
22 " " 37	

These parts are all contained in the regular No. 3 Meccano Outfit.



## Model No. S21 Steam-driven Sifter



The sifting container 1 is agitated by the Bush Wheel 2 connected by a  $5\frac{1}{2}$ " Strip 3, one end of which is secured by a lock-nutted bolt to a Trunnion on the under-side of the Plate 1, while the other end is attached pivotally to the Bush Wheel 2 by a lock-nutted bolt.

## Parts required :

2 of No. 1	1 of No. 24	5 of No. 48A	1 of No. 96A
5 " " 2	4 " " 35	1 " " 52	2 " " 99
4 " " 8	30 " " 37	2 " " 54	1 " " 126
3 " " 15A	2 " " 37A	1 " " 59	
4 " " 20B	1 " " 38	9 " " 94	
1 " " 22	1 " " 45	1 " " 96	

These parts are all contained in the regular No. 3 Meccano Outfit with the exception of 9" of No. 94, 1 of No. 96 and 1 of No. 96A. These may be obtained from any Meccano dealer.

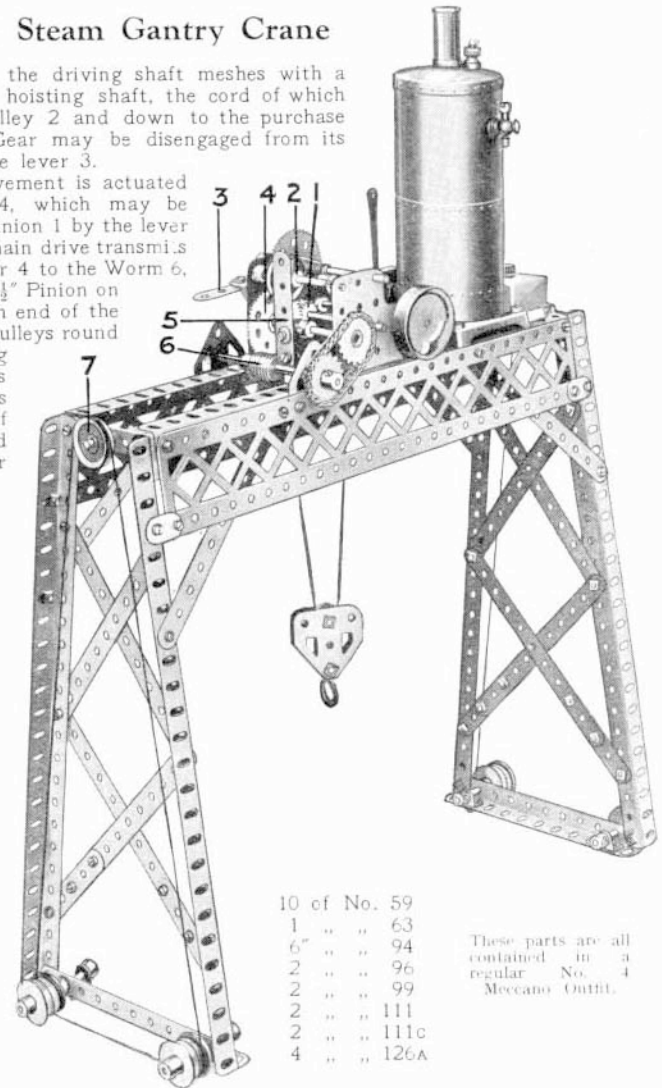
## Model No. S22 Steam Gantry Crane

A  $\frac{1}{2}$ " Pinion 1 on the driving shaft meshes with a 57-teeth Gear on the hoisting shaft, the cord of which passes over the 1" Pulley 2 and down to the purchase block. The 57-teeth Gear may be disengaged from its Pinion by means of the lever 3.

The travelling movement is actuated by a 57-teeth Gear 4, which may be disengaged from the Pinion 1 by the lever 5. A short Sprocket Chain drive transmits the motion of the Gear 4 to the Worm 6, which is in mesh with a  $\frac{1}{2}$ " Pinion on the  $11\frac{1}{2}$ " Rod 7. Each end of the latter carries 1" fast Pulleys round which the cord driving the  $\frac{3}{4}$ " Flanged Wheels is passed; the cord is wrapped round each of the Flanged Wheels and 1" Pulleys twice in order to increase its grip.

## Parts required :

12 of No. 2	
6 " " 5	
6 " " 8	
2 " " 9	
4 " " 10	
6 " " 12	
1 " " 13	
2 " " 15A	
4 " " 16	
4 " " 17	
8 " " 20B	
3 " " 22	
1 " " 23	
2 " " 26	
2 " " 27A	
1 " " 32	
1 " " 35	
61 " " 37	
10 " " 37A	
5 " " 38	
1 " " 40	
2 " " 48A	
1 " " 57	



10 of No. 59	
1 " " 63	
6 " " 94	
2 " " 96	
2 " " 99	
2 " " 111	
2 " " 111c	
4 " " 126A	

These parts are all contained in a regular No. 4 Meccano Outfit.

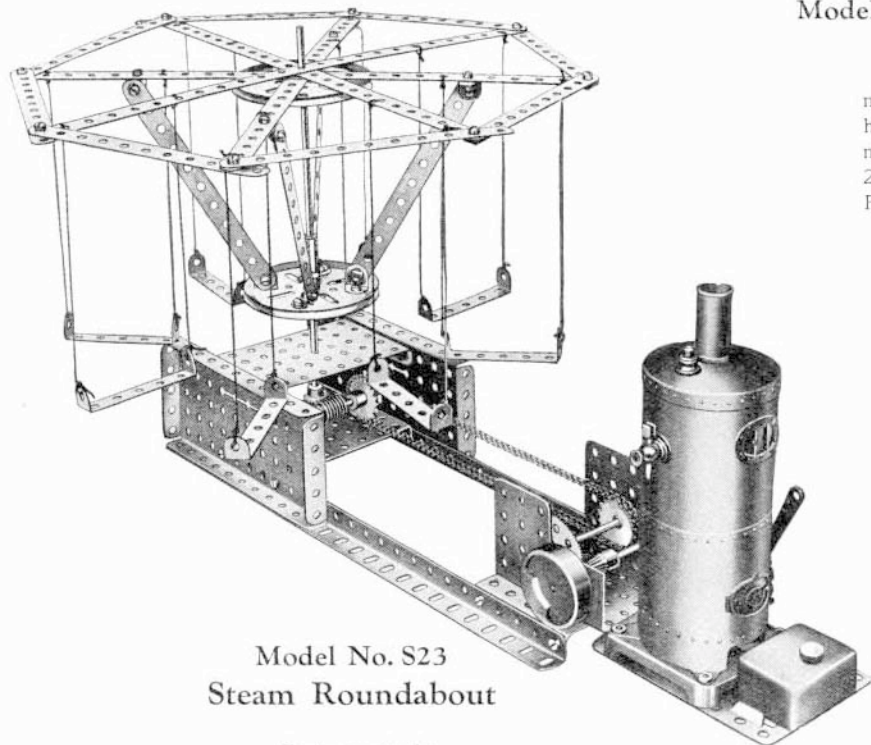
Model No.S24 Steam-Driven Pit Head Gear

The construction of this model should present no difficulties. It is necessary to point out, however, that the two side members 1 are connected near the top (just below the 3" Pulley Wheel) by a 2½" Strip; and the engine is secured to a 5½" x 2½" Flanged Plate bolted to the side Strips.

Parts required :

10 of No.	1	4 of No.	35
8 " "	2	77 " "	37
6 " "	5	6 " "	48A
4 " "	8	1 " "	52
4 " "	12	2 " "	54
1 " "	16	2 " "	100
1 " "	19B	2 " "	126

These parts are all contained in the regular No. 3 Meccano Outfit.

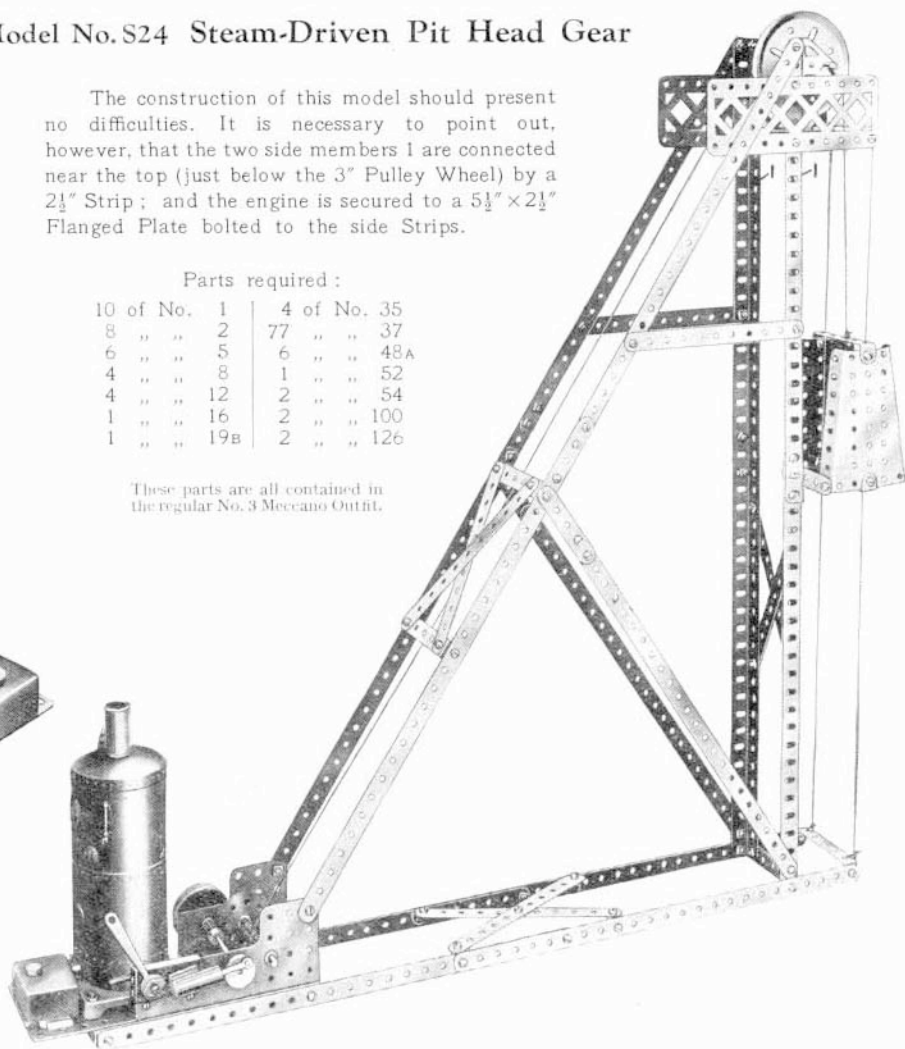


Model No. S23  
Steam Roundabout

Parts required :

4 of No.	1	2 of No.	19B	3 of No.	59
12 " "	2	1 " "	26	1 " "	63
2 " "	8	1 " "	32	18 " "	94
8 " "	12	39 " "	37	2 " "	96
1 " "	15	8 " "	48A	1 " "	96A
2 " "	15A	2 " "	52	2 " "	99
		3 " "	53		

These parts are all contained in the regular No. 3 Meccano Outfit with the exception of 18" of No. 94, 2 of No. 96, and 1 of No. 96A. These may be obtained from any Meccano dealer.



## Model No. S25 Steam Paddle Boat

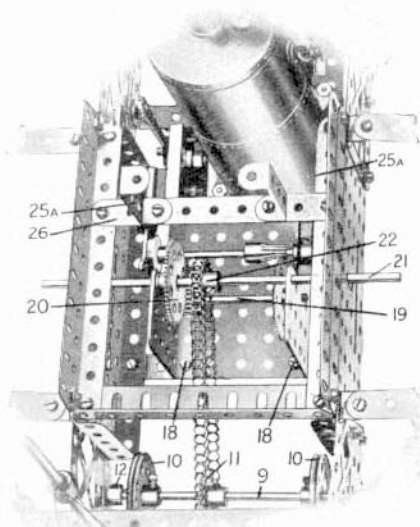


FIG. S25A

## Parts required :

4 of No. 1	3 of No. 13	2 of No. 35	12 of No. 59
1 " " 2	1 " " 14	83 " " 37	1 " " 63
3 " " 2A	1 " " 15	7 " " 38	1 " " 89
5 " " 3	1 " " 16	2 " " 45	2 " " 90
1 " " 4	1 " " 16A	6 " " 48	9 1/2 " " 94
4 " " 5	2 " " 18A	8 " " 48A	1 " " 96
2 " " 6	4 " " 19B	2 " " 48C	1 " " 96A
2 " " 9	2 " " 21	1 " " 48D	4 " " 99
1 " " 9A	1 " " 24	2 " " 52	3 " " 103
2 " " 10	1 " " 26	2 " " 53	1 " " 126
18 " " 12	1 " " 27A		

These parts are all contained in the regular No. 4 Meccano Outfit with the exception of :-

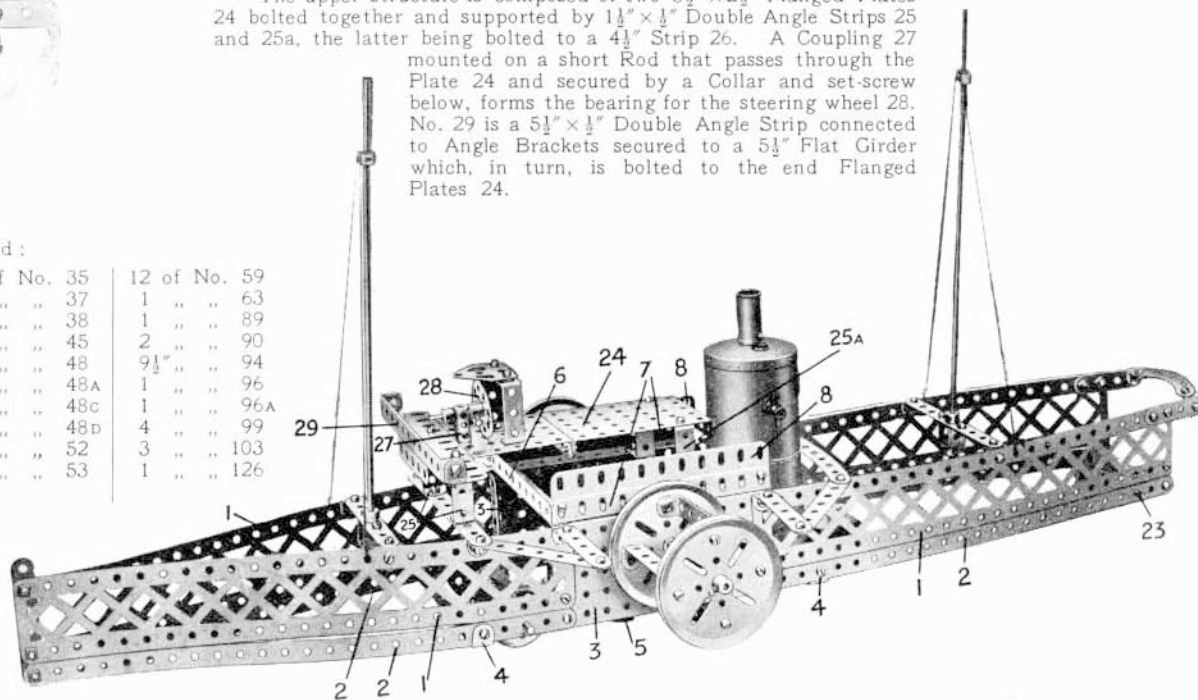
2 of No. 6	2 of No. 48c
1 " " 9A	1 " " 89
1 " " 13	1 " " 96A
1 " " 16A	3 " " 103

which can be obtained from any Meccano dealer.

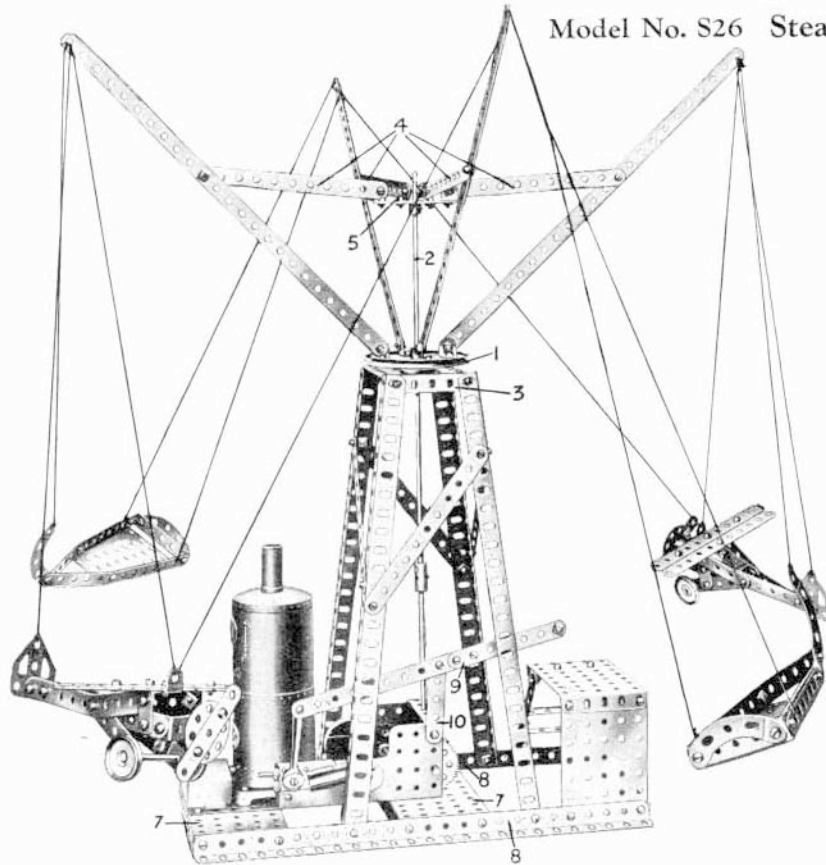
The hull of the Paddle Boat should be proceeded with first; four 12 1/2" Braced Girders 1 and four 12 1/2" Strips 2 are connected to 5 1/2" x 2 1/2" Flanged Plates 3. The sides should then be stayed by two 4 1/2" x 1/2" Double Angle Strips 4 and a 4 1/2" Strip 5 bolted in the fourth hole of the Flanged Plate 3 and spaced with two Washers. A 4 1/2" Angle Girder 6 is bolted to the two Flanged Plates 3 and a 5 1/2" Angle Girder 7 is secured to the top of each Plate. To the Angle Girders 7 are bolted two Flat Girders 8.

The 5" Axle Rod 9 (Fig. S25A) carries two 1 1/2" Pulley Wheels 10 and a 1" Sprocket Wheel 11. The vertical engine may now be secured in position by the bolts 18 (Fig. S25A) to the Strip 5 and the Double Angle Strip 4. A 1/2" Pinion on the Rod 19 meshes with the Gear Wheel 20 on the 1 1/2" Rod 21. On the same Rod is a 1" Sprocket Wheel 22 connected to the Sprocket Wheel 11 by means of Sprocket Chain. The paddle wheels may now be placed on the Rod 21. When the engine is set in motion the boat is caused to travel along the ground and the paddle wheels to rotate simultaneously. A Bush Wheel secured to a 3 1/2" Rod 23 forms the rear running wheel supporting the boat.

The upper structure is composed of two 3 1/2" x 2 1/2" Flanged Plates 24 bolted together and supported by 1 1/2" x 1/2" Double Angle Strips 25 and 25A, the latter being bolted to a 4 1/2" Strip 26. A Coupling 27 mounted on a short Rod that passes through the Plate 24 and secured by a Collar and set-screw below, forms the bearing for the steering wheel 28. No. 29 is a 5 1/2" x 1/2" Double Angle Strip connected to Angle Brackets secured to a 5 1/2" Flat Girder which, in turn, is bolted to the end Flanged Plates 24.



Model No. S26 Steam Flying Machine



The revolving portion of this model consists of four 12½" Strips bolted to the 3" Pulley 1 which is secured to the main vertical shaft 2 and rests on a 1" loose Pulley between it and the 3½" × 2½" Flanged Plate 3. The 12½"

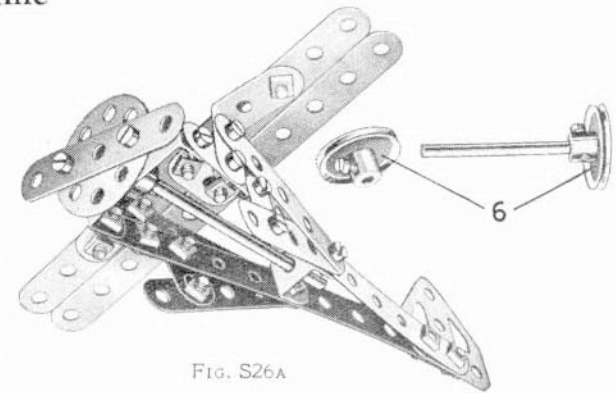


FIG. S26A

Strips are supported by 5½" Strips 4 connected by Angle Brackets to the Face Plate 5 secured to the Rod 2. One of the aeroplanes attached to the model is shown in detail in Fig. S26B. The Wheels 6 are shown removed from their bearings. The engine is bolted to two 5½" × 2½" Flanged Plates 7 connected to the 12½" Angle Girders 8. 5½" and 3½" Strips 9 are bolted together to form the stopping and starting lever and this is pivotally connected by a 2½" Strip 10 to one side of the Engine Frame and to the operating lever on the engine. Fig. S26B shows the arrangement of gearing for operating the vertical shaft.

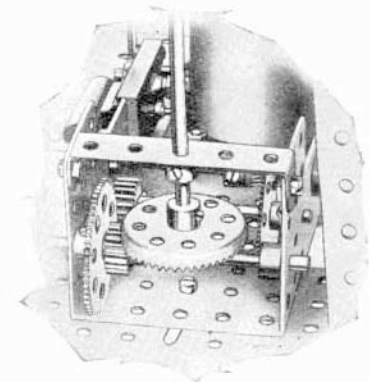


FIG. S26B

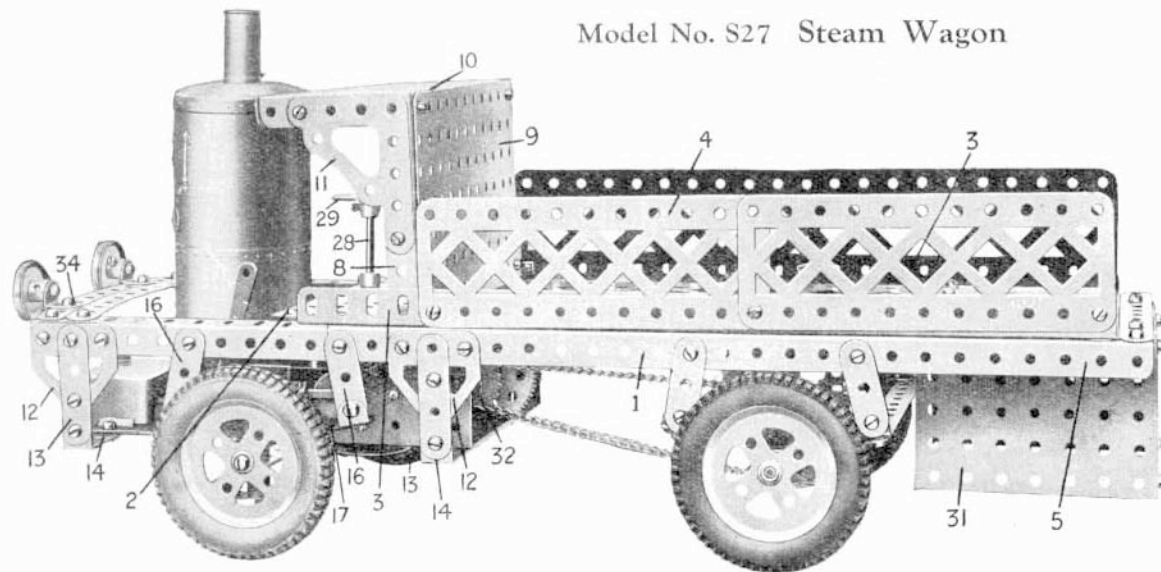
Parts required :

4 of No. 1	4 of No. 10	1 of No. 14	2 of No. 22A	2 of No. 48	1 of No. 63
22 " " 2	2 " " 11	2 " " 16	2 " " 24	6 " " 48A	4 " " 90
2 " " 2A	12 " " 12	1 " " 16B	1 " " 26	2 " " 52	1 " " 109
1 " " 3	4 " " 12A	2 " " 17	1 " " 27A	3 " " 53	2 " " 111A
11 " " 5	2 " " 12B	1 " " 19B	1 " " 28	2 " " 54	2 " " 126A
4 " " 8	1 " " 13	4 " " 22	120 " " 37	4 " " 59	

These parts are all contained in the regular No. 4 Meccano Outfit with the exception of 2 of No. 12B; 1 of No. 16B; and 2 of No. 111A. These can be obtained from any Meccano dealer.

## MECCANO STEAM-DRIVEN MODELS

## Model No. S27 Steam Wagon



## Parts required :

1 of No.	1	2 of No.	24
6	"	2	"
2	"	2A	106
4	"	3	12
1	"	4	2
1	"	5	1
5	"	6	3
8	"	6A	6
6	"	8	2
1	"	9	1
2	"	9B	2
2	"	10	13"
4	"	11	1
12	"	12	1
1	"	14	2
1	"	15A	4
1	"	16B	2
2	"	18A	2
4	"	20A	4
2	"	22	4
			27A
			37
			38
			48D
			52
			53
			59
			62
			70
			89
			94
			95A
			96A
			99
			100
			108
			111
			126A
			142A

These parts are all contained in the regular No. 4 Meccano Outfit with the exception of the following, which can be obtained from any Meccano dealer :-

5 of No.	6	1 of No.	70
2	"	2	"
1	"	1	"
4	"	1	"
			89
			95A
			96A
			4 of No. 142A

A  $5\frac{1}{2}$ " Angle Girder is secured across the  $5\frac{1}{2}$ " x  $2\frac{1}{2}$ " Flat Plate 2 by bolts 7 (Fig. S27A). At each end of this is bolted an upright  $3\frac{1}{2}$ " Angle Girder 8 to which is attached a  $5\frac{1}{2}$ " x  $3\frac{1}{2}$ " Flat Plate 9 to form the back of the cab and a  $5\frac{1}{2}$ " x  $2\frac{1}{2}$ " Flanged Plate 10 to form the hood. A  $5\frac{1}{2}$ " and a  $2\frac{1}{2}$ " Strip 15 (Fig. S27A) overlapped two holes and connected to the  $5\frac{1}{2}$ " Double Angle Strips 14 form a bearing for one end of the steering column 28. The steering gear is built up in the following manner. Two  $1\frac{1}{2}$ " Strips 16 are connected on each side of the members 1 as shown in Fig. S27.  $3\frac{1}{2}$ " Strips 17 (Fig. S27A) slightly curved to represent springs are attached by Angle Brackets to the Strips 16, Flat Brackets 18 being bolted in the centre holes of the Strips 17. The swivel supports for the stub axles of the wheels are each composed of a  $1\frac{1}{2}$ " Rod 19, a Double Bracket 20, a Collar 21 with two Washers above and below. The  $1\frac{1}{2}$ " Rods are held in position by a Collar 22 at the top and at the bottom by the Cranks 23 and 23a. A Strip 24 (formed of two  $4\frac{1}{2}$ " Strips overlapped five holes) is connected pivotally at its ends to the Cranks 23 and 23a. The Crank 23 is also connected pivotally by a 2" Strip 25 to a 3" Strip 26 that is bolted to a Bush Wheel 27 mounted securely on the steering column 28. The stub axles of the front wheels are formed by passing a  $\frac{3}{4}$ " Bolt through the boss of each wheel and screwing it into the Collar 21 until it pinches the Rod 19.

The spring bearings of the rear wheels are connected together at each end by  $5\frac{1}{2}$ " Strips 30. The carrier 31 is formed of three  $3\frac{1}{2}$ " x  $2\frac{1}{2}$ " Flanged Plates bolted together and secured to the bottom of the wagon by Angle Brackets.

The engine may now be placed in position and bolted to the Strips 14. The drive is taken by Sprocket Chain from the 1" Sprocket Wheel 32 on the engine to the  $1\frac{1}{2}$ " Sprocket Wheel 33 on the back axle of the wagon.

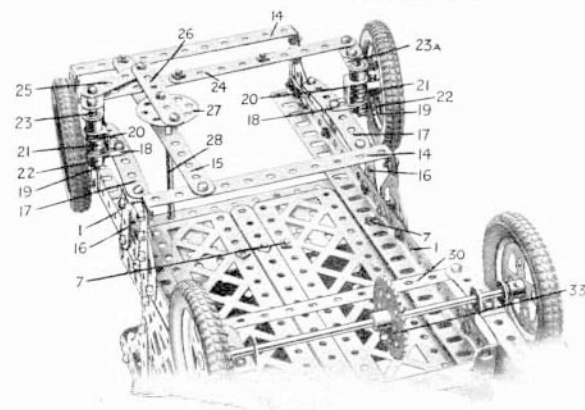


Fig. S27A

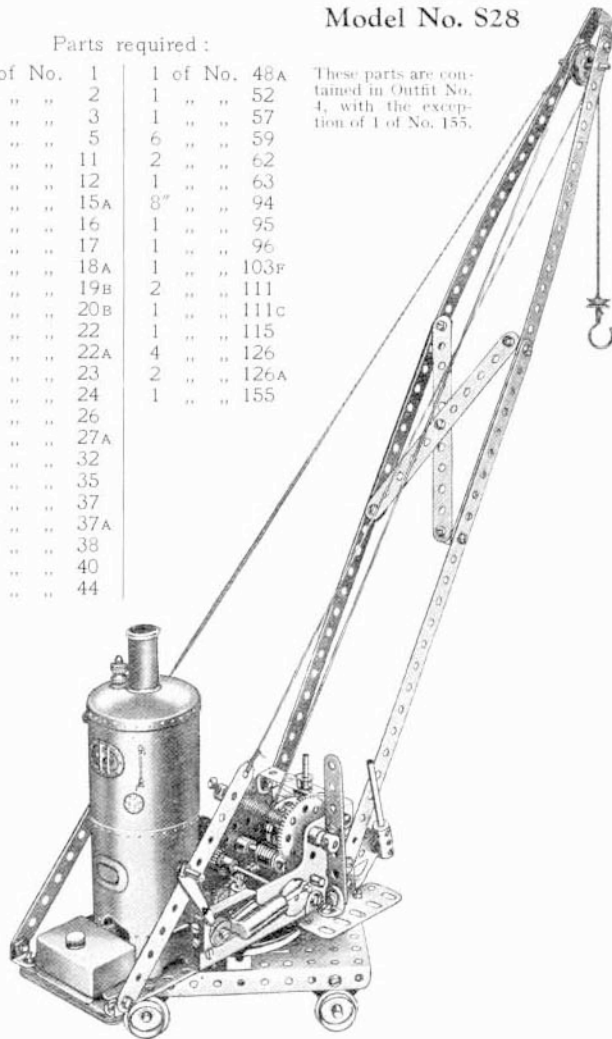
Model No. S28

Travelling Steam Crane

Parts required :

4	of No.	1	1	of No.	48A
4	"	2	1	"	52
1	"	3	1	"	57
12	"	5	6	"	59
4	"	11	2	"	62
9	"	12	1	"	63
3	"	15A	8"	"	94
3	"	16	1	"	95
2	"	17	1	"	96
1	"	18A	1	"	103F
1	"	19B	2	"	111
6	"	20B	1	"	111C
2	"	22	1	"	115
1	"	22A	4	"	126
1	"	23	2	"	126A
1	"	24	1	"	155
1	"	26			
2	"	27A			
1	"	32			
3	"	35			
36	"	37			
5	"	37A			
1	"	38			
1	"	40			
1	"	44			

These parts are contained in Outfit No. 4, with the exception of 1 of No. 155.



This model has three movements, hoisting, travelling and slewing. A  $\frac{1}{2}$ " Pinion on the driving shaft engages with the 57-teeth Gear 1 which is carried on the hoisting shaft. A safety catch, comprising a  $\frac{3}{8}$ " Bolt secured in a Collar, is attached to one end of the hoisting shaft. When the latter is disengaged by the lever 2 the  $\frac{3}{8}$ " Bolt strikes the bolt head 9 (Fig. S28A).

The clutch shown in detail in Fig. S23A actuates both the slewing and travelling motions in the following way. A 57-teeth Gear meshes with a Worm on the driving shaft.

It is loose on the Rod 10 and may be raised or lowered by means of two Cranks, which are secured to the Rod 3 and carry bolts so inserted that their shanks engage with the underside of the 57-teeth Gear. The operating handle consists of a 2" Rod held in a Coupling secured to the Rod 3.

When the Gear is moved downwards the  $\frac{3}{4}$ " Bolt 4 engages with one of the holes in the 2" Sprocket 11, the latter being loose on the Rod 10. A 1" Sprocket, secured to one end of Rod 5, is connected by Sprocket Chain to Sprocket 11. A 1" Pulley fixed to the lower end of the Rod 5 transmits the drive to the travelling wheels by means of a short length of cord wrapped twice round two Flanged Wheels 12 and the 1" Pulley.

When the Gear is raised slightly the  $\frac{3}{4}$ " Bolt 6 engages with the Bush Wheel 7, which is fixed to the Rod 10, so that the 1" Pulley and Rubber Ring 8 are rotated. As the latter is pressed against the rim of the 3" Pulley the entire superstructure is caused to rotate. The 3" Pulley is attached to the crane truck by means of Double Brackets, and the Rod 5, which takes the drive to the travelling wheels, forms the pivot about which the superstructure revolves.

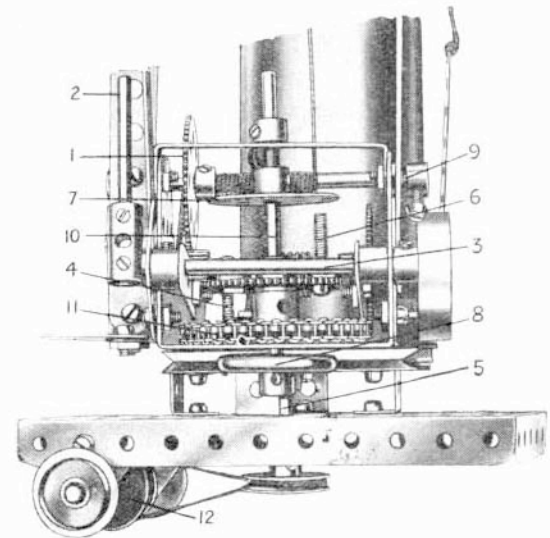
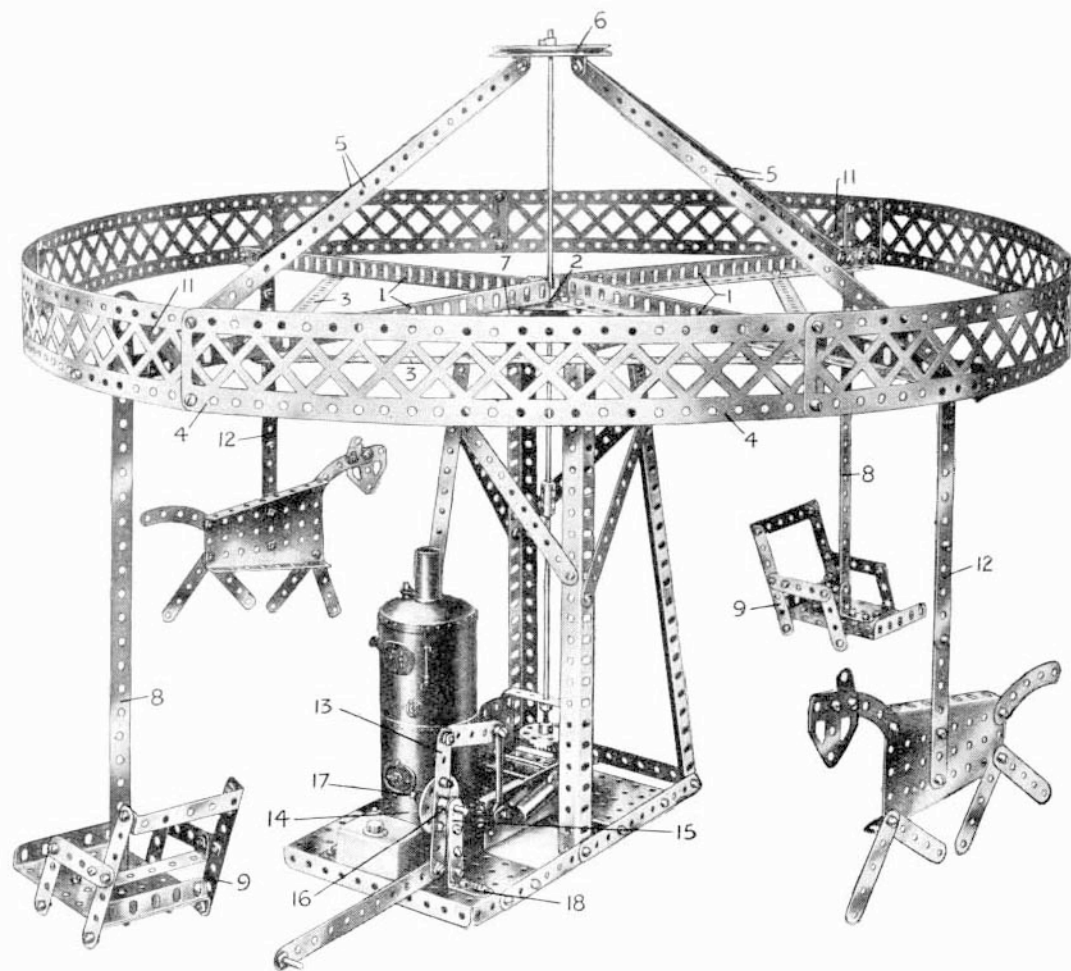


FIG. S28A

## Model No. S29 Steam Merry-Go-Round



## Parts required :

10 of No. 1	1 of No. 14	3 of No. 53
14 " " 2	1 " " 16B	2 " " 54
5 " " 3	1 " " 19B	3 " " 59
15 " " 5	2 " " 22A	1 " " 62
5 " " 6	1 " " 24	1 " " 63
8 " " 8	1 " " 26	4 " " 90
2 " " 10	1 " " 27A	6 " " 99
8 " " 12	1 " " 28	1 " " 109
5 " " 12A	156 " " 37	1 " " 111
1 " " 13	9 " " 48A	2 " " 126A
	2 " " 52	

All the parts in this model are contained in the regular No. 4 Meccano Outfit with the exception of 5 of No. 6, and 1 of No. 16B, which may be obtained from any Meccano dealer.

The upper framework is formed of four 12½" Angle Girders 1 secured to a Face Plate 2 and braced by four 12½" Strips 3 and connected to the Braced Girders 4 by Angle Brackets. The rim 4 is composed of six 12½" and one 7½" Braced Girders which are bolted together before being attached to the Girders 1. Four further 12½" Strips 5 are bolted to the Girders 1 and to the 3" Pulley Wheel 6 by Angle Brackets.

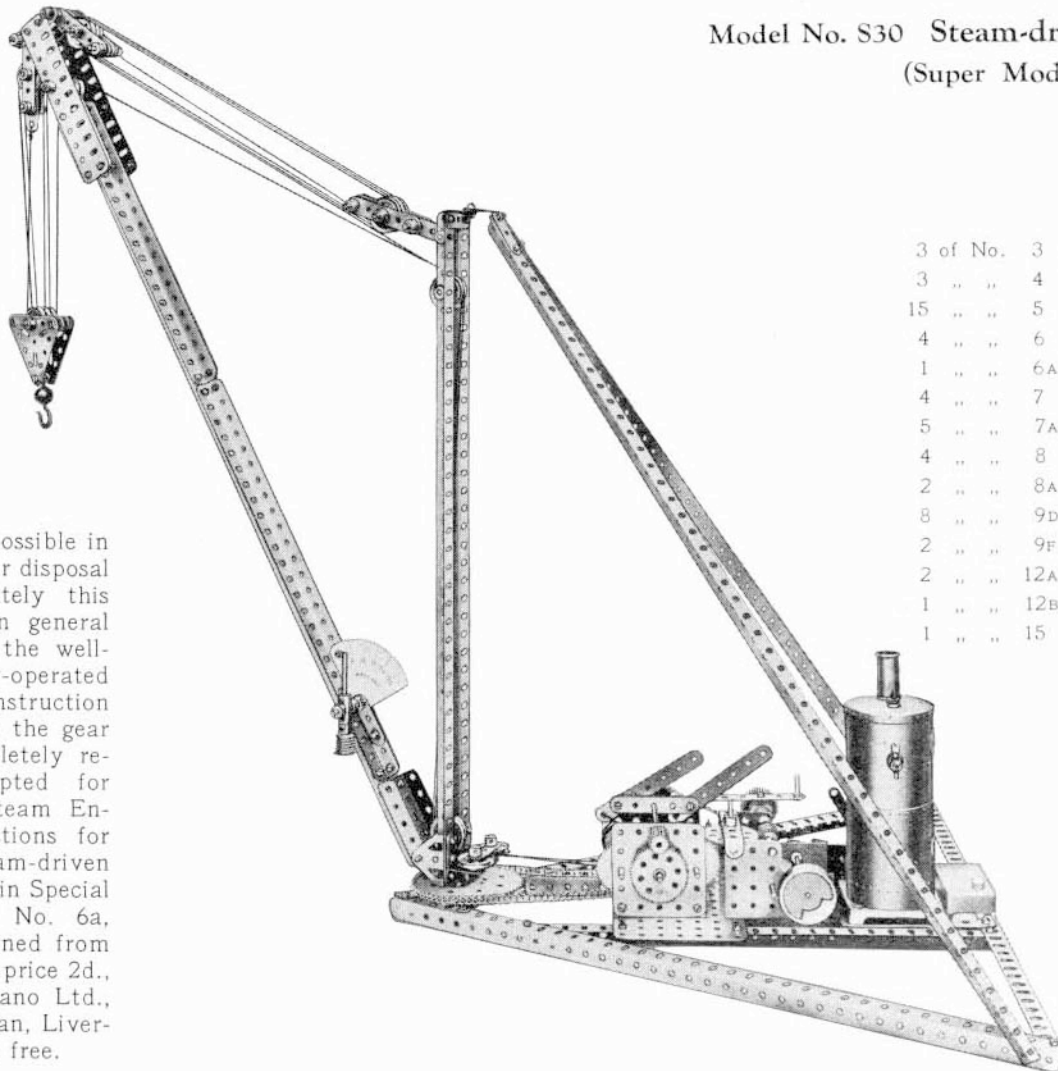
A 1" loose Pulley is placed between the Face Plate 2 and the 3½"×2½" Flanged Plate 7 to prevent the bolt ends in the Face Plate fouling with the holes in Plate 7. 12½" Strips 8 support the two chairs 9 and are bolted to the Angle Girders 1 in the fourth hole. A 2½" Strip 11 is bolted to the end of each Strip 8 and to the Girders 1 to steady the chairs. The horses are supported by two 5½" Strips 12 overlapped five holes and connected with the Girders 1 by 1"×1" Angle Brackets.

The starting and stopping arrangement is provided by a 5½" Strip 19, a 3½" Strip 13, and a 2½" Strip 20 pivotally connected to the engine lever. The 3½" Strip 13 is bolted to a Bush Wheel 14 mounted on a short Rod 15 which is secured in the boss of the Crank 16 and held in position by a Collar 17. The bearing for the Rod 15 is formed by a 1" Angle Bracket 18 to which is attached a 2" Strip and a Crank.

The driving mechanism is arranged in the same manner as in model No. S26, Flying Machine.



Model No. S30 Steam-driven Stiff Leg Derrick  
(Super Model No. 6a)



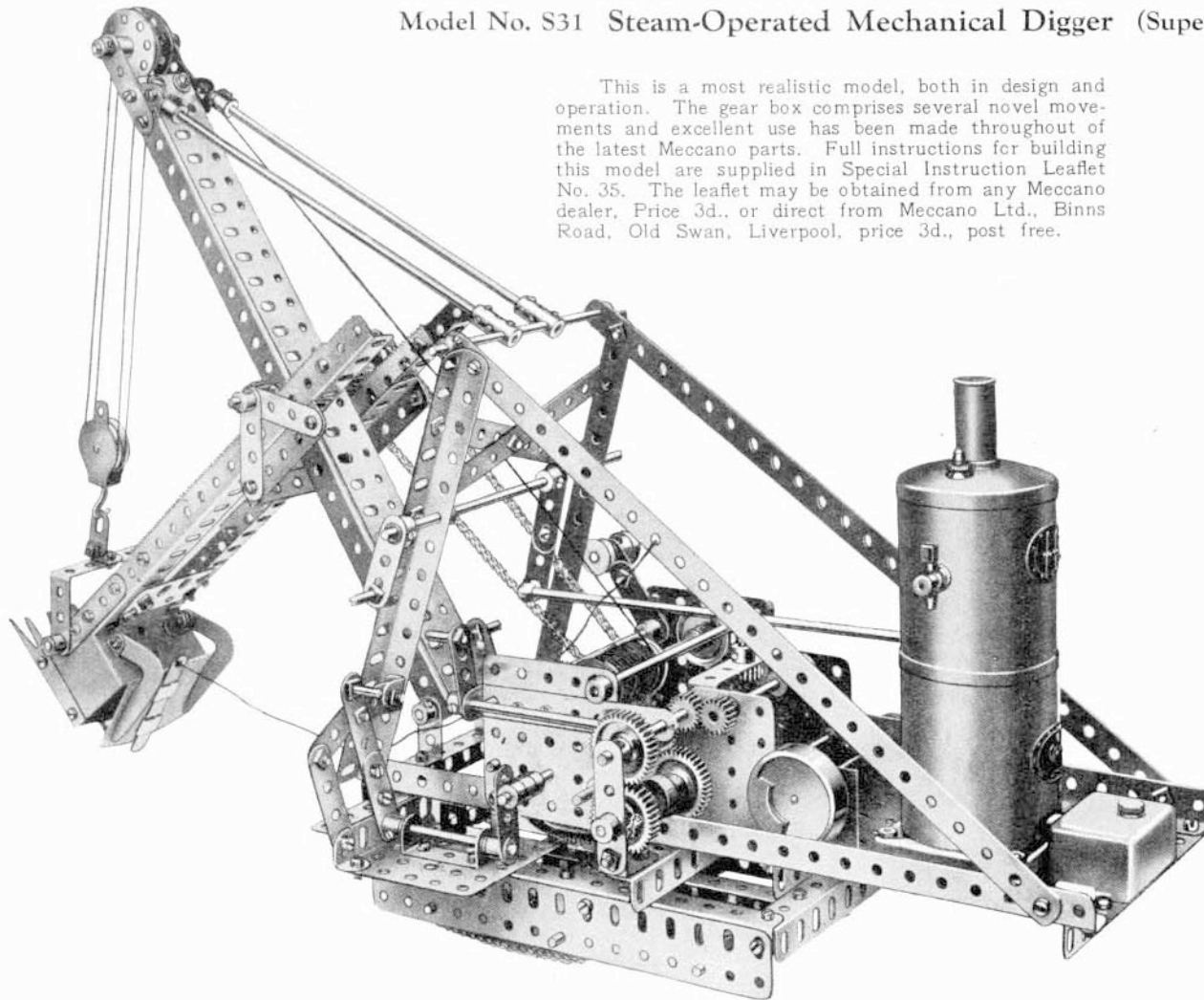
It would be impossible in the small space at our disposal to describe adequately this splendid model. In general design it resembles the well-known electrically-operated model (Special Instruction Leaflet No. 6), but the gear box has been completely redesigned and adapted for operation by the Steam Engine. Full instructions for building the steam-driven model are contained in Special Instruction Leaflet No. 6a, which may be obtained from any Meccano dealer price 2d., or direct from Meccano Ltd., Binns Road, Old Swan, Liverpool, price 2d., post free.

		Parts required :			
3 of No.	3	2 of No.	15A	82 of No.	37
3 "	4	3 "	16	12 "	37A
15 "	5	3 "	16A	66 "	38
4 "	6	3 "	17	2 "	40
1 "	6A	9 "	18A	1 "	48
4 "	7	4 "	18B	1 "	48A
5 "	7A	3 "	22	1 "	52A
4 "	8	17 "	22A	1 "	57B
2 "	8A	1 "	25	43 "	59
8 "	9D	1 "	25A	3 "	62
2 "	9F	2 "	27	1 "	63
2 "	12A	2 "	27A	1 "	63D
1 "	12B	2 "	31	2 "	72
1 "	15	2 "	32	2 "	76
				26 "	94
				1 "	95B
				1 "	96
				2 "	96A
				4 "	103
				3 "	111
				1 "	111A
				4 "	115
				2 "	126
				1 "	144

## MECCANO STEAM-DRIVEN MODELS

## Model No. S31 Steam-Operated Mechanical Digger (Super Model No. 35)

This is a most realistic model, both in design and operation. The gear box comprises several novel movements and excellent use has been made throughout of the latest Meccano parts. Full instructions for building this model are supplied in Special Instruction Leaflet No. 35. The leaflet may be obtained from any Meccano dealer, Price 3d., or direct from Meccano Ltd., Binns Road, Old Swan, Liverpool, price 3d., post free.



## Parts required :

2	of No.	1	1	of No.	30c
2	" "	2	4	" "	31
1	" "	2A	1	" "	32
1	" "	4	125	" "	37
4	" "	5	3	" "	37A
9	" "	6	21	" "	38
4	" "	8	1	" "	40
2	" "	8A	1	" "	46
6	" "	8B	1	" "	47
5	" "	9A	1	" "	48
1	" "	9B	2	" "	48A
3	" "	9D	1	" "	53A
1	" "	10	24	" "	59
3	" "	12	8	" "	62
3	" "	12A	2	" "	63
3	" "	13A	1	" "	63D
3	" "	14	3	" "	72
7	" "	15	2	" "	77
1	" "	15A	1	" "	90
3	" "	16	1	" "	94
1	" "	16A	1	" "	95A
3	" "	16B	4	" "	96
3	" "	17	1	" "	96A
1	" "	18B	1	" "	103B
4	" "	20	1	" "	103G
2	" "	20B	2	" "	103K
1	" "	22	2	" "	110A
2	" "	22A	2	" "	111A
2	" "	23A	7	" "	115
2	" "	24	2	" "	116A
1	" "	25	6	" "	125
1	" "	25A	2	" "	136
6	" "	26	1	" "	144
3	" "	27	1	" "	152
1	" "	27A	1	" "	163
1	" "	27B	1	" "	168A
2	" "	30	1	" "	168c
1	" "	30A	1	" "	169

# Meccano Steam Engine

## Price List

			s.	d.
STEAM ENGINE, Complete	...	...	21.	0.
<b>COMPONENTS —</b>				
Baseplate	—	—	ea.	1. 0.
Flywheel & Screw	—	—	"	1. 9.
Screws for Flywheel	—	—	doz.	3.
Crankshaft	—	—	ea.	1.
Crankshaft Pinion & Grub Screw	—	—	"	4.
Driving Wheel & Set Screw	—	—	"	6.
Boiler Mounting	—	—	"	3.
Screws for Boiler Mounting	—	—	doz.	1. 0.
Nuts (Hex.) Boiler Mounting	—	—	"	6.
Steam Chest (with stop pins & inlets assembled)	—	—	ea.	2. 3.
Plug Screws for Steam Chest	—	—	doz.	9.
Washers for Plug Screws	—	—	"	3.
Fixing Screws for Steam Chest	—	—	"	9.
Reversing Cam	—	—	ea.	8.
" " Spring	—	—	"	1.
" " Stud	—	—	"	1.
Cylinder & Block	—	—	"	9.
" Stud	—	—	doz.	6.
" Nut	—	—	"	9.
Cylinder Spring	—	—	"	6.
Piston	—	—	ea.	3.
Insulated Handle for Revolving Lever on Cam	—	—	"	2.
Crank	—	—	"	4.
Exhaust Pipe Complete	—	—	"	8.
Boiler complete (steam pipe assembled)	—	—	"	4. 0.
Boiler Casing Cap and Chimney	—	—	"	10.
Boiler Casing	—	—	"	3. 0.
Water Level Cock complete	—	—	"	1. 0.
Safety Valve complete	—	—	"	6.
" Body	—	—	"	2.
" Spring	—	—	doz.	6.
" Nut	—	—	"	6.
" Washer	—	—	"	6.
" Pin	—	—	"	9.
Spirit Container	—	—	ea.	1. 3.
Spanner	—	—	"	2.
Spirit Container Stopper	—	—	"	1.
Wick	—	—	doz.	1. 0.
Filler	—	—	ea.	4.

Meccano Limited, Binns Rd, Old Swan, Liverpool.



# MAGAZINE

## MONTHLY FOR BOYS

correspondence columns in which the Editor replies to his readers' enquiries. The publishing date is the 1st of each month.

Write to the Editor, "Meccano Magazine," Binns Road, Old Swan, Liverpool, enclosing 6d. in stamps. He will then forward a specimen copy of the "M.M.", post free. If you wish to become a regular subscriber the rates are 4/- for six issues or 8/- for twelve issues, post free.

If you prefer to do so, you may order the Magazine from your Meccano dealer or from any newsagent or bookstall, price 6d. Place a standing order to-day.

## O PRICE LIST

### ACCESSORY OUTFITS

6	No. 00A Meccano Accessory Outfit	..	..	..	..	..	..	..	1 6
—	" 0A "	"	"	"	"	"	"	"	5 6
—	" 1A "	"	"	"	"	"	"	"	7/-
—	" 2A "	"	"	"	"	"	"	"	12 6
6	" 3A "	"	"	"	"	"	"	"	23 6
—	" 4A "	"	"	"	"	"	"	"	15/-
—	" 5A* "	"	"	"	"	"	(Carton) ..	..	50/-
—	" 5A* "	"	"	"	"	"	(Enamelled Cabinet) ..	..	80/-
—	" 6A "	"	"	"	"	"	"	"	200/-
—	Special Inventor's Outfit	..	..	..	..	..	..	..	17 6

board boxes (cartons) or in superior enamelled cabinets, with lock and key.

### IO MOTORS, Etc.

6	Resistance Controller	..	..	..	..	..	..	..	3 6
6	No. 1 Meccano Storage Box	..	..	..	..	..	..	..	10 6
—	" 2 "	"	"	"	"	"	"	"	21/-
6	" 3 "	"	"	"	"	"	"	"	30/-

Patents and Designs  
Great Britain

20,535/13	671,484
22,962/13	671,485
250,378	671,534
253,236	671,790
290,121	680,416
648,958	682,208



London Service and Repair Depot :  
**Meccano Ltd.,**  
5/6, Marshall Street,  
London, W.1.

London Office and Warehouse :  
**Meccano Ltd.,**  
Walnut Tree Walk,  
Kennington Road, London, S.E.11.

**Meccano Agencies :**

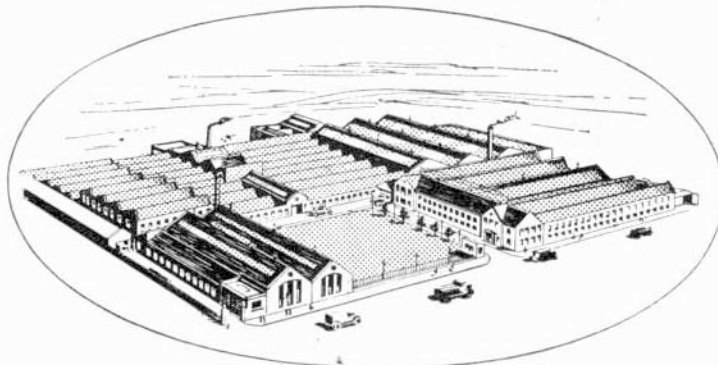
Alexandria,	Brussels,
Algiers,	Buenos Aires,
Amsterdam,	Cairo,
Auckland,	Calcutta,
Barcelona,	Cape Town,
Basle,	Caracas,
Bogota,	Constantinople,
Bombay,	Durban.

# MECCANO

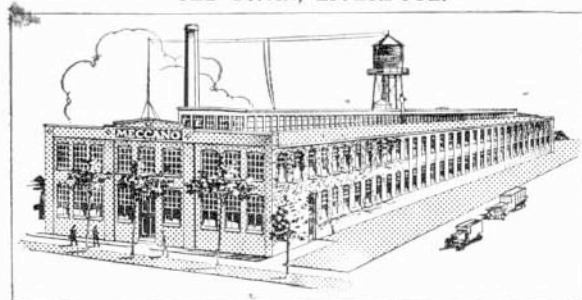
THE TOY THAT MADE ENGINEERING FAMOUS

Millions of boys in every country throughout the world play with Meccano.

These are the Meccano Factories and distributing centres.



Head Office and Factory :  
**OLD SWAN, LIVERPOOL.**



**Meccano Company Inc.,**  
Elizabeth, New Jersey, U.S.A.

Patents and Designs  
Great Britain

682,209	718,404
682,934	718,731
683,011	733,541
686,112	733,542
698,054	740,413

740,723



**Meccano (France) Ltd.,**  
78-80 Rue Rébeval,  
Paris XIXeme.

**Hornby-Meccano G.m.b.H.,**  
Alte Jacobstrasse 20-22 (Bergmannshof),  
Berlin SW.68.

**Meccano Ltd.,**  
45, Colborne Street, Toronto.

**Meccano Agencies :**

Genoa,	Oslo,
Hong Kong,	Para,
Iquitos,	Rio de Janeiro,
Johannesburg,	Santiago,
Karachi,	Sao Paulo,
Malta,	Stockholm,
Manaos,	Sydney,
Monte Video,	Tampico,
	Tanga.